

R44 PILOT'S OPERATING HANDBOOK

AND FAA APPROVED ROTORCRAFT FLIGHT MANUAL

RTR 461

THE R44 IS FAA APPROVED IN NORMAL CATEGORY BASED ON FAR 27 AND FAR 21. THIS HANDBOOK INCLUDES THE MATERIAL REQUIRED TO BE FURNISHED TO THE PILOT BY FAR 27 AND FAR 21 AND MUST BE CARRIED IN THE HELICOPTER AT ALL TIMES.

HELICOPTER SERIAL NO. _____

HELICOPTER REGISTRATION NO. _____

SECTIONS 2, 3, 4, 5, AND 9

FAA APPROVED BY: _____

Acting
MANAGER, FLIGHT TEST BRANCH, ANM-160L
FEDERAL AVIATION ADMINISTRATION
LOS ANGELES AIRCRAFT CERTIFICATION OFFICE
TRANSPORT AIRPLANE DIRECTORATE

DATE: 12/10/92

**ROBINSON HELICOPTER COMPANY
TORRANCE, CALIFORNIA**

INTENTIONALLY BLANK

CLASS Q
SUBSCRIPTION SERVICE

If you wish to receive future changes to the R44 Pilot's Operating Handbook and copies of future Safety Notices, you may order online at www.robinsonheli.com. The Class Q subscription costs \$40 USD for a period of two years.

You may also remit your payment by filling out the contact information below and sending it and your check or money order to:

ROBINSON HELICOPTER COMPANY
2901 Airport Drive
Torrance, CA 90505

Note: The date stamped below reflects the revision of this handbook at the time it was assembled. Please refer to www.robinsonheli.com for date of most recent revision. If outdated, the most recent revision is available for an additional charge of \$20 USD.

Name: _____

Complete Address: _____

Phone: _____

E-mail: _____

Aircraft Serial Number: _____

INTENTIONALLY BLANK

**LOG OF PAGES APPROVED BY FAA
TYPE CERTIFICATE NO. H11NM**

	Page No.	Approval Date	Page No.	Approval Date
Cover Log of Pages	i	10 Dec 92		
	ii	26 Jan 24		
Section 2 Limitations	2-i	16 Apr 03	2-7	7 May 18
	2-1	21 Oct 16	2-8	7 May 18
	2-2	7 May 19	2-9	17 Dec 19
	2-3	21 Feb 14	2-10	7 May 18
	2-4	21 Feb 14	2-11	21 Oct 16
	2-5	26 Jan 24	2-12	21 Feb 14
	2-6	7 May 18		
Section 3 Emergency Procedures	3-i	11 May 20	3-6	21 Oct 16
	3-1	21 Oct 16	3-7	17 Dec 19
	3-2	21 Feb 14	3-8	5 Nov 99
	3-3	21 Feb 14	3-9	21 Oct 16
	3-4	21 Feb 14	3-10	11 May 20
	3-5	17 Dec 19	3-11	11 May 20
Section 4 Normal Procedures	4-i	21 Oct 16	4-8	17 Nov 21
	4-1	7 May 18	4-9	21 Oct 16
	4-2	7 May 18	4-10	7 May 19
	4-3	17 Nov 21	4-11	10 Jul 12
	4-4	7 May 18	4-12	10 Jul 12
	4-5	7 May 18	4-13	21 Oct 16
	4-6	11 May 20	4-14	11 May 20
	4-7	11 May 20	4-15	13 May 09
Section 5 Performance	5-i	10 Dec 92	5-5	16 Aug 01
	5-1	17 Nov 21	5-6	10 Dec 92
	5-2	17 Jun 93	5-7	26 Jan 24
	5-3	10 Dec 92	5-8	17 Jun 93
	5-4	16 Aug 01		
Section 9 Supplements	9-i	17 Nov 21		

LAN-GLENN V TO

Digitally signed by LAN-GLENN V TO
Date: 2024.01.26 08:27:15 -08'00'

Approved By: _____

Manager, Flight Test & Human Factors Branch, AIR-710
Federal Aviation Administration

, FTE, AIR-713 for,

Date of Approval: 26 JAN 2024

**LOG OF PAGES
NOT REQUIRING FAA APPROVAL**

	Page No.	Revision Date	Page No.	Revision Date
Section 1 General	1-i	26 Jan 24	1-5	16 Apr 03
	1-1	10 Jul 12	1-6	21 Oct 16
	1-2	10 Jul 12	1-7	5 Oct 11
	1-3	26 Jan 24	1-8	21 Oct 16
	1-4	11 May 20		
Section 6 Weight and Balance	6-i	21 Feb 14	6-5	26 Jan 24
	6-1	21 Feb 14	6-6	26 Jan 24
	6-2	21 Feb 14	6-7	26 Jan 24
	6-3	21 Feb 14	6-8	21 Feb 14
	6-4	26 Jan 24		
Section 7 Systems Description	7-i	17 Nov 21	7-18	21 Feb 14
	7-1	10 Mar 15	7-19	21 Feb 14
	7-2	10 Mar 15	7-20	10 Mar 15
	7-3	17 Nov 21	7-21	7 May 19
	7-4	17 Nov 21	7-22	21 Oct 16
	7-5	21 Feb 14	7-23	11 May 20
	7-6	21 Oct 16	7-24	11 May 20
	7-7	7 May 18	7-25	11 May 20
	7-8	21 Oct 16	7-26	26 Jan 24
	7-9	21 Oct 16	7-27	17 Nov 21
	7-10	21 Oct 16	7-28	17 Nov 21
	7-11	21 Oct 16	7-29	17 Nov 21
	7-12	21 Feb 14	7-30	17 Nov 21
	7-13	17 Nov 21	7-31	17 Nov 21
	7-14	21 Feb 14	7-32	17 Nov 21
	7-15	21 Oct 16	7-33	26 Jan 24
	7-16	21 Oct 16	7-34	17 Nov 21
7-17	26 Jan 24			
Section 8 Handling and Maintenance	8-i	17 Nov 21	8-8	7 May 19
	8-1	7 May 19	8-9	11 May 20
	8-2	7 May 19	8-10	11 May 20
	8-3	17 Dec 19	8-11	7 May 19
	8-4	7 May 19	8-12	7 May 19
	8-5	7 May 19	8-13	7 May 19
	8-6	7 May 19	8-14	17 Nov 21
	8-7	7 May 19	8-15	17 Nov 21
Section 10 Safety Tips	10-i	21 Oct 16	10-4	21 Oct 16
	10-1	5 Oct 11	10-5	17 Nov 21
	10-2	21 Oct 16	10-6	22 Jan 24
	10-3	5 Oct 11		

SECTION 1

GENERAL

CONTENTS

	Page
Introduction	1-1
Cautions and Notes	1-2
External Dimensions	1-3
Descriptive Data	1-4
Performance Definitions	1-6
Weight and Balance Definitions	1-7
Conversion Tables	1-8

INTENTIONALLY BLANK

SECTION 1

GENERAL

INTRODUCTION

This Pilot's Operating Handbook is designed as an operating guide for the pilot. It includes the material required to be furnished to the pilot by 14 CFR parts 21, 27, and 36. It also contains supplemental data supplied by the helicopter manufacturer.

This handbook is not designed as a substitute for adequate and competent flight instruction or for knowledge of current airworthiness directives, applicable federal aviation regulations, and advisory circulars. Nor is it intended to be a guide for basic flight instruction or a training manual. It should not be used for operational purposes unless kept in a current status.

Assuring that the helicopter is in airworthy condition is the responsibility of the owner. The pilot in command is responsible for determining that the helicopter is safe for flight. The pilot is also responsible for remaining within the operating limitations as outlined by instrument markings, placards, and this handbook.

Since it is very difficult to refer to a handbook while flying a helicopter, the pilot should study the entire handbook and become very familiar with the limitations, performance, procedures, and operational handling characteristics of the helicopter before flight.

This handbook has been divided into ten numbered sections. Limitations and emergency procedures have been placed ahead of normal procedures, performance, and other sections to provide easier access to that information. Provisions for expansion of the handbook have been made by deliberate omission of certain paragraph numbers, figure numbers, item numbers, and pages noted as being intentionally blank.

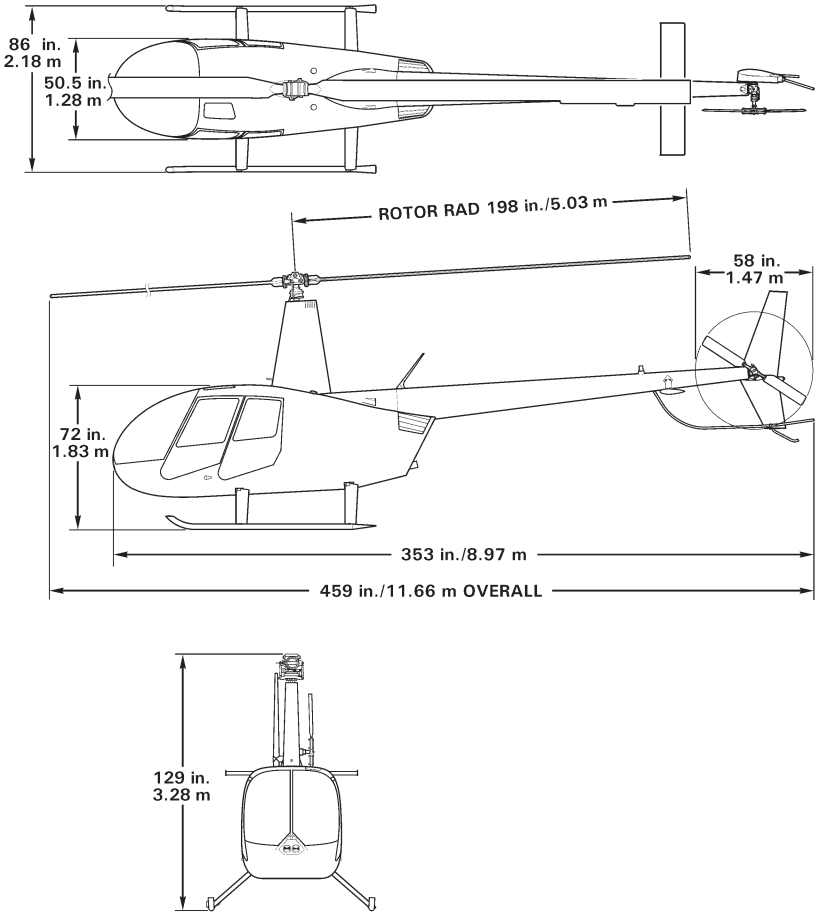
CAUTIONS AND NOTES

Cautions and Notes emphasize important information and are used as follows:

CAUTION Equipment damage, injury, or death can result if procedure or instruction is not followed.

NOTE Provides emphasis or supplementary information.

EXTERNAL DIMENSIONS



**R44 EXTERNAL DIMENSIONS
(LATER AIRCRAFT SHOWN)**

DESCRIPTIVE DATA

MAIN ROTOR

Articulation	Free to teeter and cone, rigid inplane
Number of Blades	2
Diameter	33 feet
Blade Chord	10.0 inches inboard, 10.6 inches outboard
Blade Twist	-6 Degrees
Tip Speed at 102% RPM	705 feet per second

TAIL ROTOR

Articulation	Free to teeter, rigid inplane
Number of Blades	2
Diameter	58 inches
Blade Chord	5.1 inches (constant)
Blade Twist	0
Precone Angle	1 Degree
Tip Speed at 102% RPM	614 feet per second

DRIVE SYSTEM

Engine to Upper Sheave:	Four double Vee-belts with 0.778:1 speed reducing ratio
Upper Sheave to Drive Line:	Sprag-type overrunning clutch
Drive Line to Main Rotor:	Spiral-bevel gears with 11:57 speed reducing ratio
Drive Line to Tail Rotor:	Spiral-bevel gears with 31:27 speed increasing ratio

DESCRIPTIVE DATA (cont'd)

POWERPLANT

Model: Lycoming O-540-F1B5

Type: Six cylinder, horizontally opposed, direct drive, air cooled, carbureted, normally aspirated

Displacement: 541.5 cubic inches

Normal rating: 260 BHP @ 2800 RPM

Maximum continuous rating in R44: 205 BHP at 2718 RPM |
(102% on tachometer)

5 Minute takeoff rating in R44: 225 BHP at 2718 RPM |

Cooling system: Direct drive squirrel-cage blower

FUEL

Approved fuel grades and capacity: See Section 2.

OIL

Approved oil grades and capacity: See Section 8.

PERFORMANCE DEFINITIONS

IAS Knots Indicated Airspeed is speed shown on the airspeed indicator.

KCAS Knots Calibrated Airspeed is speed shown on the airspeed indicator corrected for instrument and position error. (See Section 5 for position error correction.)

KTAS Knots True Airspeed is airspeed relative to undisturbed air. It is KCAS corrected for pressure altitude and temperature.

V_{ne} Never-Exceed Airspeed.

V_y Speed for best rate of climb.

V_h Stabilized level-flight speed at maximum continuous power.

MSL
Altitude Altitude above mean sea level, indicated by the altimeter (corrected for instrument error) when the barometric subscale is set to the atmospheric pressure existing at sea level.

Pressure
Altitude Altitude indicated by the altimeter (corrected for instrument error) when the barometric subscale is set to 29.92 inches of mercury (1013.2 mb).

Density
Altitude Altitude in ISA conditions at which the air would have the same density (it is pressure altitude corrected for OAT).

ISA International Standard Atmosphere exists when pressure is 29.92 inches of mercury at sea level, temperature is 15°C at sea level, and temperature decreases 1.98°C per 1000 feet of altitude.

BHP Brake Horsepower is actual power output of the engine.

MAP Manifold Absolute Pressure is the absolute pressure in the engine intake manifold.

RPM Revolutions Per Minute or speed of engine or rotor. (Shown by tachometer as percentage of 2665 engine RPM and 400 main rotor RPM).

MCP Maximum Continuous Power.

TOP Takeoff Power (limited to 5 minutes in the R44).

Critical
Altitude Altitude at which full throttle produces maximum allowable power (MCP or TOP).

TOGW Takeoff Gross Weight.

PERFORMANCE DEFINITIONS (cont'd)

OAT	Outside Air Temperature
CAT	Carburetor Air Temperature
CHT	Cylinder Head Temperature
GPH	Gallons Per Hour
AGL	Above Ground Level
IGE	In Ground Effect
OGE	Out of Ground Effect
ALT	Alternator

WEIGHT AND BALANCE DEFINITIONS

Reference Datum	A vertical plane from which horizontal distances are measured for balance purposes. The longitudinal reference datum is 100 inches forward of the main rotor shaft centerline for the R44.
Station	Fore-and-aft location along the helicopter fuselage given in terms of distance in inches from the longitudinal reference datum.
Arm	Horizontal distance from a reference datum to the center of gravity (CG) of an item.
Moment	The weight of an item multiplied by its arm.
Center of Gravity (CG)	Location on the fuselage (usually expressed in inches from the reference datum) at which the helicopter would balance. CG is calculated by dividing the total helicopter moment by total helicopter weight.
CG Limits	Extreme CG locations within which the helicopter must be operated at a given weight.
Usable Fuel	Fuel available for flight planning.
Unusable Fuel	Fuel remaining in the tank that cannot reliably provide uninterrupted fuel flow in the critical flight attitude.
Standard Empty Weight	Weight of a standard helicopter including unusable fuel, full operating fluids, and full engine oil.
Basic Empty Weight	Standard empty weight plus weight of installed optional equipment.
Payload	Weight of occupants, cargo, and baggage.
Useful Load	Difference between maximum gross weight and basic empty weight.

CONVERSION TABLES

METRIC TO ENGLISH

<u>Multiply</u>	<u>By</u>	<u>To Obtain</u>
centimeters (cm)	0.3937	inches (in)
kilograms (kg)	2.2046	pounds (lb)
kilometers	0.5400	nautical miles
kilometers	0.6214	statute miles (mi)
liters	0.2642	gallons, U.S. (gal)
liters	1.0567	quarts (qt)
meters	3.2808	feet (ft)
millibars (mb)	0.0295	inches of mercury (in. Hg)

ENGLISH TO METRIC

<u>Multiply</u>	<u>By</u>	<u>To Obtain</u>
feet (ft)	0.3048	meters
gallons, U.S. (gal)	3.7854	liters
inches (in)	2.5400	centimeters (cm)
inches (in)	25.4000	millimeters (mm)
inches of mercury (in. Hg)	33.8639	millibars (mb)
nautical miles	1.8520	kilometers
pounds (lb)	0.4536	kilograms (kg)
quarts (qt)	0.9464	liters
statute miles (mi)	1.6093	kilometers

1 nautical mile = 1.1508 statute miles

1 statute mile = 0.8690 nautical mile

TEMPERATURE

$$^{\circ}\text{F} = 9/5 (^{\circ}\text{C}) + 32$$

$$^{\circ}\text{C} = 5/9 (^{\circ}\text{F} - 32)$$

**SECTION 2
LIMITATIONS
CONTENTS**

	Page
General	2-1
Color Code for Instrument Markings	2-1
Airspeed Limits	2-1
Rotor Speed Limits	2-2
Powerplant Limitations	2-2
Weight Limits	2-3
Center of Gravity Limits	2-3
Flight and Maneuver Limitations	2-5
Kinds of Operation Limitations	2-6
Fuel Limitations	2-6
Instrument Markings	2-7
Placards	2-9

INTENTIONALLY BLANK

**SECTION 2
LIMITATIONS**

GENERAL

This section includes operating limitations, instrument markings, and basic placards required for safe operation of the helicopter, its engine, and other standard systems. This helicopter is approved as a normal category rotorcraft under FAA Type Certificate No. H11NM as Model R44 in the serial number range 0002 to 9999.

COLOR CODE FOR INSTRUMENT MARKINGS

Red	Operating limit. Edge of red line indicates limit. Pointer should not enter red during normal operation.
Red Cross-hatch	Power-off V_{ne} .
Yellow	Precautionary or special operating procedure range.
Green	Normal operating range.

AIRSPEED LIMITS

NEVER-EXCEED AIRSPEED (V_{ne})

2200 lb (998 kg) TOGW and below	130 KIAS
Over 2200 lb (998 kg) TOGW	120 KIAS
Autorotation	100 KIAS

For V_{ne} reductions with altitude and temperature, see placard on page 2-9.

ADDITIONAL AIRSPEED LIMITS

100 KIAS maximum at power above MCP.

100 KIAS maximum with any combination of cabin doors removed.

ROTOR SPEED LIMITS

Power On

Maximum 102% (408 RPM)

Minimum* 101% (404 RPM)**

Power Off

Maximum 108% (432 RPM)

Minimum 90% (360 RPM)

*Transient operation at lower RPM permitted for emergency procedures training.

**99% (396 RPM) permitted on R44s with tachometers showing engine green arc from 99% to 102%.

POWERPLANT LIMITATIONS

ENGINE

One Lycoming Model O-540-F1B5

OPERATING LIMITS

Engine Speed

Maximum continuous 102% (2718 RPM)

Maximum transient*** 105% (2800 RPM)

Cylinder Head Max Temperature 500°F (260°C)

Oil Maximum Temperature 245°F (118°C)

Oil Pressure

Minimum during idle 25 psi

Minimum during flight 55 psi

Maximum during flight 95 psi

Maximum during start & warm up 115 psi

Oil Quantity, minimum for takeoff 7 qt (6.6 liters)

Manifold Pressure: See placard on page 2-9 for MAP schedule.

***Intentional operation above maximum continuous speed prohibited.

WEIGHT LIMITS

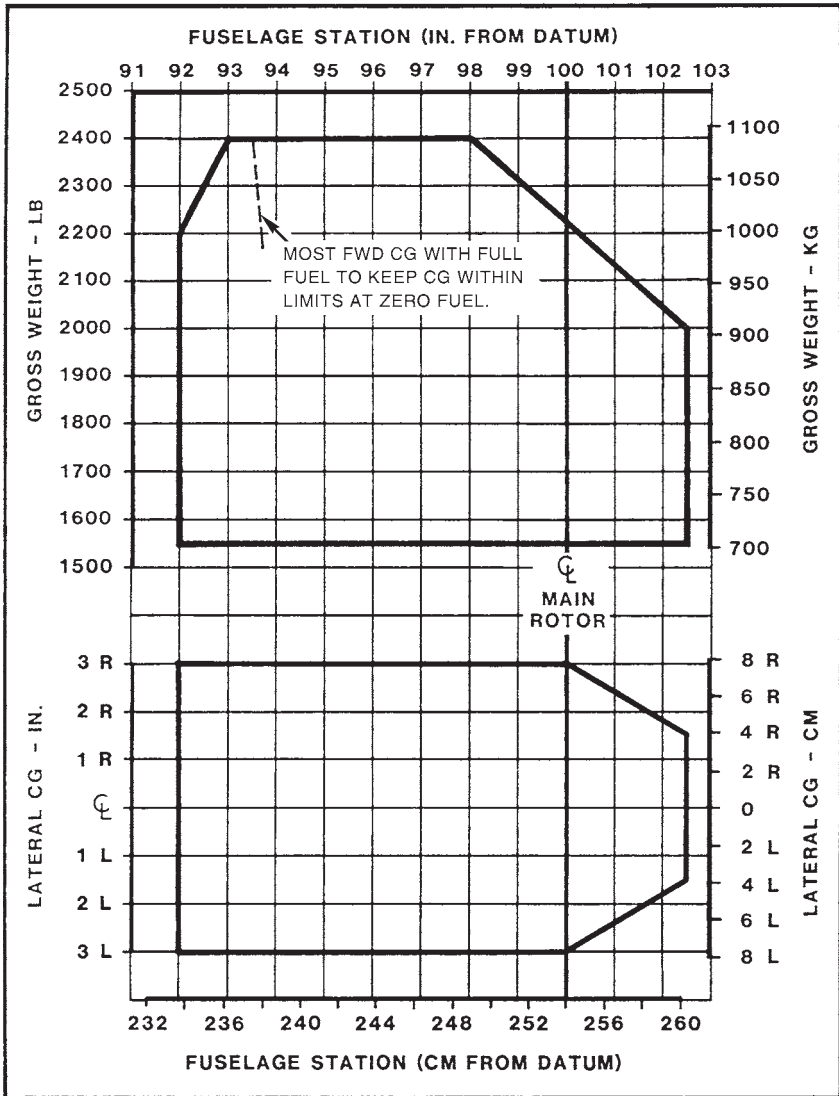
Maximum gross weight	2400 lb (1089 kg)
Minimum gross weight	1550 lb (703 kg)
Maximum per seat including baggage compartment	300 lb (136 kg)
Maximum in any baggage compartment	50 lb (23 kg)

CENTER OF GRAVITY (CG) LIMITS

See figure on page 2-4. Reference datum is 100 inches forward of main rotor shaft centerline.

NOTE

With all doors installed, a solo pilot weight of 150 lb (68 kg) or greater will ensure CG within limits. For lower pilot weight, compute weight and balance; removable ballast may be required to obtain CG at or forward of aft limit. (See Loading Instructions in Section 6.)



CENTER OF GRAVITY LIMITS

FLIGHT AND MANEUVER LIMITATIONS

Aerobatic flight prohibited.

CAUTION

Abrupt control inputs may produce high fatigue stresses and cause catastrophic failure of a critical component.

Low-G cyclic pushovers prohibited.

CAUTION

A pushover (forward cyclic maneuver) performed from level flight or following a pull-up causes a low-G (near weightless) condition which can result in catastrophic loss of lateral control. To eliminate a low-G condition, immediately apply gentle aft cyclic. Should a roll commence during a low-G condition, apply gentle aft cyclic to reload rotor before applying lateral cyclic to stop roll.

Flight prohibited with governor selected off, with exceptions for in-flight system malfunction or emergency procedures training.

Flight in known icing conditions prohibited.

Maximum operating density altitude 14,000 feet.

Maximum operating altitude 9000 feet AGL to allow landing within 5 minutes in case of fire.

Alternator, RPM governor, low rotor RPM warning system, OAT gage, and hydraulic control system must be operational for dispatch.

Minimum crew is one pilot in the right front seat. A flight instructor may act as pilot in command from the left front seat. Solo flight from right seat only.

Forward left seat belt must be buckled.

Operation up to 100 KIAS approved with any combination of cabin doors removed. All seat belts must be buckled and loose items in cabin must be properly secured during doors-off flight.

A functioning headset must be worn by each pilot.

KINDS OF OPERATION LIMITATIONS

VFR day and night operations are approved.

VFR operation at night is permitted only when landing, navigation, instrument, and anti-collision lights are operational. Orientation during night flight must be maintained by visual reference to ground objects illuminated solely by lights on the ground or adequate celestial illumination.

Note: There may be additional requirements in countries outside the United States.

FUEL LIMITATIONS

APPROVED FUEL GRADES

Grade	Color	Specification
100	Green	ASTM D910
100LL	Blue	
100VLL	Blue	
UL 91	Clear to Yellow (no dye)	ASTM D7547
UL 94		
HJELMCO 91/96 UL	Clear to Yellow (no dye)	Hjelmco Oil, Inc. Sollentuna, Sweden
91	Yellow	TU 38.5901481-96 Ukrainian National Standard
B91/115	Green	GOST 1012-72 Russian National Standard
B95/130	Amber	

FUEL LIMITATIONS (cont'd)

FUEL CAPACITY

	Total Capacity US gallons (liters)	Usable Capacity US gallons (liters)
Tanks with bladders:		
Main tank	30.5 (115)	29.5 (112)
Auxiliary tank	17.2 (65)	17.0 (64)
Combined capacity	47.7 (180)	46.5 (176)
Tanks without bladders:		
Main tank	31.6 (120)	30.6 (116)
Auxiliary tank	18.5 (70)	18.3 (69)
Combined capacity	50.1 (190)	48.9 (185)

Note: Per R44 Service Bulletin SB-78B, fuel tanks without bladders should no longer be in service.

INSTRUMENT MARKINGS

NOTE

Red lines offset so instrument pointer should not enter red. See color code on page 2-1.

AIRSPPEED INDICATOR

Green arc	0 to 110 KIAS
Yellow arc*	110 to 130 KIAS
Red cross-hatch	100 KIAS
Red line	130 KIAS

*Earlier airspeed indicators without yellow arc must have the following placard adjacent:

DO NOT EXCEED 110 KIAS EXCEPT IN SMOOTH AIR

ROTOR TACHOMETER

Lower red line	90%
Green arc	90 to 108%
Upper red line	108%

INSTRUMENT MARKINGS (cont'd)

ENGINE TACHOMETER**

- Lower red line 101%
- Green arc 101 to 102%
- Upper red line 102%

**Earlier tachometers show green arc from 99 to 102% and lower red line at 99%.

OIL PRESSURE

- Lower red line 25 psi
- Lower yellow arc 25 to 55 psi
- Green arc 55 to 95 psi
- Upper yellow arc 95 to 115 psi
- Upper red line 115 psi

OIL TEMPERATURE

- Green arc 75 to 245°F (24 to 118°C)
- Red line 245°F (118°C)

CYLINDER HEAD TEMPERATURE

- Green arc 200 to 500°F (93 to 260°C)
- Red line 500°F (260°C)

MANIFOLD PRESSURE

- Green arc 16.0 to 24.7 in. Hg
- Yellow arc 21.8 to 26.3 in. Hg
- Red line 26.3 in. Hg

Yellow arc denotes variable MAP limits. See placard on page 2-9.

CARBURETOR AIR TEMPERATURE

- Yellow arc -19°C to + 3°C

PLACARDS

In clear view and readable by pilot in flight:

LIMIT MANIFOLD PRESSURE - IN. HG									
MAXIMUM CONTINUOUS POWER									
PRESS ALT-FT	OAT - °C								
	-30	-20	-10	0	10	20	30	40	
SL	22.6	22.9	23.2	23.5	23.8	24.1	24.4	24.7	
2000	22.2	22.5	22.8	23.1	23.4	23.7	24.0	24.2	
4000	21.8	22.2	22.5	22.8	23.1	23.4	23.7	23.9	
6000	21.4	21.8	22.1	FULL THROTTLE					
FOR MAX TAKEOFF POWER (5 MIN), ADD 1.6 IN.									

NEVER EXCEED SPEED - KIAS								
2200 LB TOGW & BELOW								
PRESS ALT-FT	OAT - °C							
	-30	-20	-10	0	10	20	30	40
SL								
2000		130					127	123
4000					126	122	118	114
6000			126	122	117	113	108	103
8000	126	122	117	112	107	101	96	91
10000	117	112	106	101	95	90	85	
12000	107	101	95	89	NO FLIGHT			
14000	95	89						
OVER 2200 LB TOGW, SUBTRACT 10 KIAS FOR AUTOROTATION, SUBTRACT 30 KIAS								

Note: Earlier placards do not include MAP and
airspeed limits at -30°C.

PLACARDS (cont'd)

Near main fuel tank filler cap:

FUEL
100 OCT MIN GRADE AVIATION GASOLINE

or

FUEL
AVIATION GASOLINE – GRADE 100 LL
OR SEE PILOT’S HANDBOOK

Near aux fuel tank filler cap:

AUX FUEL
100 OCT MIN GRADE AVIATION GASOLINE

or

AUX FUEL
AVIATION GASOLINE – GRADE 100 LL
OR SEE PILOT’S HANDBOOK

Near fuel shut-off valve:

FUEL

On fuel shut-off valve:

ON OFF

Near main tank fuel gage:

For bladder style tank

29.5 US GAL

For aluminum (non-bladder) tank

30.6 US GAL

PLACARDS (cont'd)

Near aux tank fuel gage:

For bladder-style tank

AUX 17.0 US GAL

For aluminum (non-bladder) tank

AUX 18.3 US GAL

In clear view of pilot:

MINIMUM SOLO PILOT WEIGHT 150 LB
(SEE PILOT'S HANDBOOK)

or

SEE PILOT'S HANDBOOK FOR SOLO PILOT
WEIGHT LESS THAN 150 LB (68 KG)

THIS ROTORCRAFT APPROVED FOR
DAY AND NIGHT VFR OPERATIONS

LOW-G PUSHOVERS PROHIBITED

On removable cyclic grip:

SOLO FROM RIGHT SEAT ONLY

On or near collective controls:

NO STOWAGE
KEEP AREA CLEAR

On aircraft without ashtray, in clear view of all occupants:

NO SMOKING

On aircraft with ashtray, in clear view of all occupants:

NO SMOKING IN FRONT SEATS

PLACARDS (cont'd)

Inside each baggage compartment:

CAUTION

DO NOT EXCEED ANY OF THE FOLLOWING:

- COMPARTMENT CAPACITY: 50 LB MAX
- COMBINED SEAT PLUS COMPARTMENT: 300 LB MAX
- ROTORCRAFT GROSS WEIGHT LIMIT

SEE ROTORCRAFT FLIGHT MANUAL FOR ADDITIONAL
LOADING INSTRUCTIONS.

**SECTION 3
EMERGENCY PROCEDURES**

CONTENTS

	Page
Definitions	3-1
Power Failure – General	3-1
Power Failure Above 500 Feet AGL	3-2
Power Failure Between 8 Feet and 500 Feet AGL	3-2
Power Failure Below 8 Feet AGL	3-3
Maximum Glide Distance Configuration	3-3
Minimum Rate of Descent Configuration	3-3
Air Restart Procedure	3-3
Emergency Water Landing – Power Off	3-4
Emergency Water Landing – Power On	3-4
Loss of Tail Rotor Thrust in Forward Flight	3-5
Loss of Tail Rotor Thrust in Hover	3-5
Headset Audio Failure	3-5
Engine Fire During Start on Ground	3-6
Engine Fire in Flight	3-6
Electrical Fire in Flight	3-6
Tachometer Failure	3-7
Hydraulic System Failure	3-7
Governor Failure	3-7
Warning/Caution Lights	3-8
Audio Alerts	3-11

INTENTIONALLY BLANK

SECTION 3

EMERGENCY PROCEDURES

DEFINITIONS

Land Immediately – Land on the nearest clear area where a safe normal landing can be performed. Be prepared to enter autorotation during approach, if required.

Land as soon as practical – Landing site is at pilot's discretion based on nature of problem and available landing areas. Flight beyond nearest airport is not recommended.

POWER FAILURE – GENERAL

A power failure may be caused by either an engine or drive system failure and will usually be indicated by the low RPM horn. An engine failure may be indicated by a change in noise level, nose left yaw, an oil pressure light, or decreasing engine RPM. A drive system failure may be indicated by an unusual noise or vibration, nose right or left yaw, or decreasing rotor RPM while engine RPM is increasing.

In case of power failure, immediately lower collective to enter autorotation and reduce airspeed to power-off V_{ne} or below.

CAUTION

Aft cyclic is required when collective is lowered at high airspeed.

CAUTION

Do not apply aft cyclic during touchdown or ground slide to prevent possible blade strike to tailcone.

POWER FAILURE ABOVE 500 FEET AGL

1. Lower collective immediately to maintain rotor RPM.
2. Establish a steady glide at approximately 70 KIAS. (For maximum glide distance or minimum rate of descent, see page 3-3.)
3. Adjust collective to keep RPM between 97 and 108% or apply full down collective if light weight prevents attaining above 97%.
4. Select landing spot and, if altitude permits, maneuver so landing will be into wind.
5. A restart may be attempted at pilot's discretion if sufficient time is available (See "Air Restart Procedure", page 3-3).
6. If unable to restart, turn unnecessary switches and fuel valve off.
7. At about 40 feet AGL, begin cyclic flare to reduce rate of descent and forward speed.
8. At about 8 feet AGL, apply forward cyclic to level ship and raise collective just before touchdown to cushion landing. Touch down in level attitude with nose straight ahead.

POWER FAILURE BETWEEN 8 FEET AND 500 FEET AGL

1. Lower collective immediately to maintain rotor RPM.
2. Adjust collective to keep RPM between 97 and 108% or apply full down collective if light weight prevents attaining above 97%.
3. Maintain airspeed until ground is approached, then begin cyclic flare to reduce rate of descent and forward speed.
4. At about 8 feet AGL, apply forward cyclic to level ship and raise collective just before touchdown to cushion landing. Touch down in level attitude and nose straight ahead.

POWER FAILURE BELOW 8 FEET AGL

1. Apply right pedal as required to prevent yawing.
2. Allow rotorcraft to settle.
3. Raise collective just before touchdown to cushion landing.

MAXIMUM GLIDE DISTANCE CONFIGURATION

1. Airspeed approximately 90 KIAS.
2. Rotor RPM approximately 90%.
3. Best glide ratio is about 4.7:1 or one nautical mile per 1300 feet AGL.

MINIMUM RATE OF DESCENT CONFIGURATION

1. Airspeed approximately 55 KIAS.
2. Rotor RPM approximately 90%.
3. Minimum rate of descent is about 1350 feet per minute. Glide ratio is about 4:1 or one nautical mile per 1500 feet AGL.

CAUTION

Increase rotor RPM to 97% minimum when autorotating below 500 feet AGL.

AIR RESTART PROCEDURE

CAUTION

Do not attempt restart if engine malfunction is suspected or before safe autorotation is established.

1. Mixture - full rich.
2. Throttle- closed, then cracked slightly.
3. Actuate starter with left hand.

EMERGENCY WATER LANDING – POWER OFF

1. Follow same procedures as for power failure over land until contacting water. If time permits, unlatch doors prior to water contact.
2. Apply lateral cyclic when aircraft contacts water to stop rotors.
3. Release seat belt and quickly clear aircraft when rotors stop.

EMERGENCY WATER LANDING – POWER ON

1. Descend to hover above water.
2. Unlatch doors.
3. Passengers exit aircraft.
4. Fly to safe distance from passengers to avoid possible injury by rotors.
5. Switch battery and alternator OFF.
6. Roll throttle off into overtravel spring.
7. Keep aircraft level and apply full collective as aircraft contacts water.
8. Apply lateral cyclic to stop rotors.
9. Release seat belt and quickly clear aircraft when rotors stop.

LOSS OF TAIL ROTOR THRUST IN FORWARD FLIGHT

Failure is usually indicated by nose right yaw which cannot be corrected by applying left pedal.

1. Immediately enter autorotation.
2. Maintain at least 70 KIAS if practical.
3. Select landing site, roll throttle off into overtravel spring, and perform autorotation landing.

NOTE

When a suitable landing site is not available, the vertical stabilizers may permit limited controlled flight at low power settings and airspeeds above 70 KIAS; however, prior to reducing airspeed, enter full autorotation.

LOSS OF TAIL ROTOR THRUST IN HOVER

Failure is usually indicated by nose right yaw which cannot be stopped by applying left pedal.

1. Immediately roll throttle off into overtravel spring and allow aircraft to settle.
2. Raise collective just before touchdown to cushion landing.

HEADSET AUDIO FAILURE

If headset audio fails, land as soon as practical.

CAUTION

For aircraft which provide low RPM horn through the audio system, pilot will not hear horn with a failed headset.

ENGINE FIRE DURING START ON GROUND

1. Cranking – Continue and attempt to start which would suck flames and excess fuel into engine.
2. If engine starts, run at 60-70% RPM for a short time.
3. Fuel mixture – OFF.
4. Fuel valve – OFF.
5. Battery switch – OFF.
6. If time permits, apply rotor brake to stop rotors.
7. Exit helicopter.

ENGINE FIRE IN FLIGHT

1. Enter autorotation.
2. Cabin heat – OFF (if time permits).
3. Cabin vent – ON (if time permits).
4. **If engine is running**, perform normal landing, then fuel mixture OFF and fuel valve OFF.
If engine stops running, fuel valve OFF and complete autorotation landing.
5. Battery switch – OFF.
6. If time permits, apply rotor brake to stop rotors.
7. Exit helicopter.

ELECTRICAL FIRE IN FLIGHT

1. Battery and alternator switches – OFF.
2. Open cabin vents.
3. Land immediately.
4. Fuel mixture OFF and fuel valve OFF.
5. If time permits, apply rotor brake to stop rotors.
6. Exit helicopter.

NOTE

Low RPM warning system and governor are inoperative with battery and alternator switches both off.

TACHOMETER FAILURE

If rotor or engine tach malfunctions in flight, use remaining tach to monitor RPM. If it is not clear which tach is malfunctioning or if both tachs malfunction, allow governor to control RPM and land as soon as practical.

NOTE

Each tach, the governor, and the low RPM horn are on separate power circuits. A special circuit allows the battery to supply power to the tachs with the battery and alternator switches both off.

HYDRAULIC SYSTEM FAILURE

Hydraulic system failure is indicated by heavy or stiff cyclic and collective controls. Loss of hydraulic fluid may cause intermittent and/or vibrating feedback in the controls. Control will be normal except for the increase in stick forces.

1. HYD Switch – verify ON.
2. If hydraulics not restored, HYD Switch – OFF.
3. Adjust airspeed and flight condition as desired for comfortable control.
4. Land as soon as practical.

GOVERNOR FAILURE

If engine RPM governor malfunctions, grip throttle firmly to override the governor, then switch governor off. Complete flight using manual throttle control.

WARNING/CAUTION LIGHTS

NOTE

If a light causes excessive glare at night, bulb may be unscrewed or circuit breaker pulled to eliminate glare during landing.

- OIL Indicates loss of engine power or oil pressure. Check engine tach for power loss. Check oil pressure gage and, if pressure loss is confirmed, land immediately. Continued operation without oil pressure will cause serious engine damage and engine failure may occur.
- ENG FIRE Indicates possible fire in the engine compartment. See procedures on page 3-6.
- MR TEMP Indicates excessive temperature of main rotor gearbox. See note below.
- MR CHIP Indicates metallic particles in main rotor gearbox. See note below.
- TR CHIP Indicates metallic particles in tail rotor gearbox. See note below.

NOTE

If light is accompanied by any indication of a problem such as noise, vibration, or temperature rise, land immediately. If there is no other indication of a problem, land as soon as practical.

Break-in fuzz will occasionally activate chip lights. If no metal chips or slivers are found on detector plug, clean and reinstall (tail gearbox must be refilled with new oil). Hover for at least 30 minutes. If chip light comes on again, replace gearbox before further flight.

WARNING/CAUTION LIGHTS (cont'd)

LOW FUEL Indicates approximately three gallons of usable fuel remaining. The engine will run out of fuel after ten minutes at cruise power.

CAUTION

Do not use low fuel caution light as a working indication of fuel quantity.

CLUTCH Indicates clutch actuator circuit is on, either engaging or disengaging clutch. When switch is in the ENGAGE position, light stays on until belts are properly tensioned. Never take off before light goes out.

NOTE

Clutch light may come on momentarily during run-up or during flight to re-tension belts as they warm-up and stretch slightly. This is normal. If, however, the light flickers or comes on in flight and does not go out within 10 seconds, pull CLUTCH circuit breaker and land as soon as practical. Reduce power and land immediately if there are other indications of drive system failure (be prepared to enter autorotation). Have drive system inspected for a possible malfunction.

ALT Indicates low voltage and possible alternator failure. Turn off nonessential electrical equipment and switch ALT off then back on after one second to reset alternator control unit. If light stays on, land as soon as practical. Continued flight without functioning alternator can result in loss of power to tachometers, producing a hazardous flight condition.

WARNING/CAUTION LIGHTS (cont'd)

STARTER ON Indicates starter motor is engaged. If light does not go out when ignition switch is released from start position, immediately pull mixture off and turn battery switch off. Have starter motor serviced.

LOW RPM Indicates rotor speed below 97% RPM. To restore RPM, immediately lower collective, roll throttle on and, in forward flight, apply aft cyclic. Light is disabled when collective is full down.

GOV OFF Indicates engine RPM governor is switched off.

CARBON MONOXIDE Indicates elevated levels of carbon monoxide (CO) in cabin. Shut off heater and open nose and door vents. If hovering, land or transition to forward flight. If symptoms of CO poisoning (headache, drowsiness, dizziness) accompany light, land immediately.

BRAKE Indicates rotor brake is engaged. Release immediately in flight or before starting engine.

FULL THROTTLE (if installed) Indicates engine near full throttle. The governor will be ineffective because it cannot increase throttle to maintain RPM. Lower collective as required to extinguish light.

HYD (if installed) Indicates hydraulic system is switched off.

AUDIO ALERTS

LOW RPM HORN

Horn is provided by one or two speakers in the side of the instrument console on earlier aircraft or through the audio system on later aircraft. The horn activates simultaneously with the LOW RPM caution light and indicates rotor speed below 97% RPM. To restore RPM, lower collective, roll throttle on and, in forward flight, apply aft cyclic. Horn and light are disabled when collective is full down.

HIGH RPM WARBLE

On later aircraft, a warble (high/low tone) in the audio system indicates rotor speed is approaching the 108% RPM limit. Raise collective as required to control RPM.

INTENTIONALLY BLANK

**SECTION 4
NORMAL PROCEDURES**

CONTENTS

	Page
Recommended Airspeeds	4-1
Daily or Preflight Checks	4-1
Before Starting Engine	4-6
Starting Engine and Run-Up	4-7
Takeoff Procedure	4-8
Cruise	4-9
Doors-Off Operation	4-9
Practice Autorotation – Power Recovery	4-10
Practice Autorotation – With Ground Contact	4-11
Hydraulics-Off Training	4-11
Use of Carburetor Heat	4-12
Use of Carb Heat Assist	4-12
Descent, Approach, and Landing	4-13
Shutdown Procedure	4-14
Noise Abatement	4-15

INTENTIONALLY BLANK

SECTION 4

NORMAL PROCEDURES

RECOMMENDED AIRSPEEDS

Takeoff and Climb	60 KIAS
Maximum Rate of Climb (V_Y)	55 KIAS
Maximum Range	100 KIAS*
Maximum Cruise (Do not exceed except in smooth air, and then only with caution)	110 KIAS*
Significant Turbulence	60 to 70 KIAS
Landing Approach	60 KIAS
Autorotation	60 to 70 KIAS*

* Certain conditions may require lower airspeed.
See V_{ne} placard in Section 2.

DAILY OR PREFLIGHT CHECKS

Remove ground handling wheels and all covers and tiedowns. Remove even small accumulations of frost, ice, or snow, especially from rotor blades. Check maintenance records to verify aircraft is airworthy. An 8-foot step ladder is recommended for preflight inspection of the main rotor; however, main rotor hub may be reached by first opening right rear seat and stepping on seat support and then stepping on deck below the aux fuel tank.

Check general condition of aircraft and verify no visible damage, fluid leakage, or abnormal wear. Verify no fretting at rivets and seams where parts are joined together. Fretting of aluminum parts produces a fine black powder while fretting of steel parts produces a reddish-brown or black residue. Verify Telatemps show no temperature increase that cannot be attributed to a change in operating conditions (mechanics draw a reference line to the right of the highest temperature square which has darkened in operation). Verify torque stripes on critical fasteners are not broken or missing.

DAILY OR PREFLIGHT CHECKS (cont'd)

1. Upper Forward Cowl Doors - Right Side

- Battery switch ON
- Oil pressure and alternator lights ON
- Warning light test switches Push to test
- Fuel quantity Check gages
- Battery switch OFF
- Aux fuel tank quantity Check
- Fuel filler cap Tight
- Aux fuel tank No leaks
- Fuel lines No leaks
- Fuel tank sump, gascolator drains Sample
- Gearbox oil Full, no leaks
- Hydraulic system Fluid full, no leaks
- Rotor brake Actuation normal
- Flex coupling No cracks, nuts secure
- Yoke flanges No cracks
- Gearbox, hydraulic pump Telatemp Normal
- Control rod ends Free without looseness
- Steel tube frame No cracks
- All fasteners Secure
- Tail rotor control No interference

2. Main Rotor

CAUTION

Do not pull down on blades to teeter rotor. To lower a blade, push up on opposite blade.

Blades Clean and no damage/cracks

CAUTION

Verify erosion on lower surface of blades has not exposed skin-to-spar bond line. Reference Rotor Systems description in Section 7.

DAILY OR PREFLIGHT CHECKS (cont'd)

2. Main Rotor (cont'd)

- Pitch change boots No leaks
- Main hinge bolts Cotter pins installed
- All rod ends Free without looseness
- All fasteners Secure
- Swashplate scissors No excessive looseness
- Upper forward cowl doors Latched

3. Lower Cowl Door – Right Side

- Carb air ducts Secure
- Carb heat scoop Secure
- Engine sheet metal No cracks
- Fuel lines No leaks
- Oil lines No leaks or chafing
- Exhaust system No cracks
- Primer (if installed) Prime as required/
Locked/No leaks
- Cowl door Latched

4. Aft Cowl Door – Right Side

- Oil cooler door Check
- V-belt condition Check
- V-belt slack 1.5 inches (4 cm) maximum
- Sprag clutch No leaks
- Upper bearing No leaks
- Telatemp – upper bearing Normal
- Sheave condition Check
- Flex coupling No cracks, nuts secure
- Yoke flanges No cracks
- Steel tube frame No cracks
- Tail rotor control No interference
- Tailcone attachment bolts Check
- Cowl door Latched

5. Engine Rear

- Cooling fan nut Pin in line with marks
- Cooling fan No cracks
- Fan scroll No cracks
- Tailpipe hanger No cracks

DAILY OR PREFLIGHT CHECKS (cont'd)

6. Empennage

- Tail surfaces No cracks
- Fasteners Secure
- Position light Check
- Tail rotor guard No cracks

7. Tail Rotor

- Gearbox Telatemp Normal
- Gearbox Oil visible, no leaks
- Blades Clean and no damage/cracks
- Pitch links No looseness
- Teeter bearings Check condition
- Teeter bearing bolt Does not rotate
- Control bellcrank Free without looseness

8. Tailcone

- Skins No cracks or dents
- Strobe light condition Check
- Antenna Check

9. Cowl Door – Left Side

- Engine oil 7-9 qts
- Oil filter (if installed) Secure, no leaks
- Throttle Linkage Operable
- Battery and relay (if located here) Secure
- Steel tube frame No cracks
- Engine sheet metal No cracks
- Exhaust system No cracks
- Cowl door Latched

10. Main Fuel Tank

- Quantity Check
- Filler cap Tight
- Leakage None

DAILY OR PREFLIGHT CHECKS (cont'd)

11. Fuselage Left Side

- Baggage compartments Check
- Removable controls Secure if installed
- Collective control Clear
- Seat belts Check condition and fastened
- Doors Unlocked and latched
- Door hinge safety pins Installed
- Landing gear Check
- Position light Check
- Static port Clear

12. Nose Section

- Pitot tube Clear
- Windshield condition and cleanliness Check
- Landing lights Check
- Yaw string Check

13. Fuselage Right Side

- Baggage compartments Check
- Seat belts Check condition and fastened
- Aft door Unlocked and latched
- Door hinge safety pins Installed
- Landing gear Check
- Position light Check
- Static port Clear

14. Cabin Interior

- Loose articles Removed or stowed
- Instruments, switches, and controls Check condition
- Clock Functioning
- Adjustable pedals (if installed) Pins secure

CAUTION

Remove left seat controls if person in that seat is not a rated helicopter pilot.

DAILY OR PREFLIGHT CHECKS (cont'd)

CAUTION

Fill baggage compartments under unoccupied seats to capacity before using baggage compartments under occupied seats. Avoid placing objects in compartment which could injure occupant if seat collapses during a hard landing.

CAUTION

Ensure all doors are unlocked before flight to allow rescue or exit in an emergency.

CAUTION

Shorter pilots may require cushion to obtain full travel of all controls. Verify aft cyclic travel is not restricted.

BEFORE STARTING ENGINE

- Seat belts Fastened
- Fuel shut-off valve ON
- Cyclic/collective friction OFF
- Cyclic, collective, pedals Full travel free
- Throttle Full travel free
- Collective Full down, friction ON
- Cyclic Neutral, friction ON
- Pedals Neutral
- Rotor brake Disengaged
- Circuit breakers In
- Carb heat OFF
- Mixture Full rich
- Mixture guard Installed
- Landing light switch OFF
- Avionics switch (if installed) OFF
- Clutch Disengaged
- Altimeter Set
- HYD and governor switches ON

STARTING ENGINE AND RUN-UP

Throttle twists for priming	As required
Throttle	Closed
Battery, strobe switches	ON
Area	Clear
Ignition switch	Start, then Both
Starter-On light	Out
Set engine RPM	50 to 60%
Clutch switch	Engaged
Blades turning	Less than 5 seconds
Alternator switch	ON
Oil pressure within 30 seconds	25 psi minimum
Avionics, headsets	ON
Annunciator panel test (if equipped)	All lights on
Audio alert (if equipped)	Test
Wait for clutch light out	Circuit breakers in
Warm-up RPM	60 to 70%
Engine gages	Green
Mag drop at 75% RPM	7% max in 2 seconds
Carb heat	CAT rise/drop, set as required
Sprag clutch check	Needles split
Doors (if installed)	Closed and latched
Limit MAP chart	Check
Cyclic/collective friction	OFF
Hydraulic system	Check
Governor On, increase throttle	RPM 101-102%
Warning lights	Out
Lift collective slightly, reduce RPM	Horn/light at 97%

CAUTION

For aircraft which provide low RPM horn through the audio system, a headset for each pilot is required to hear the horn.

CAUTION

On slippery surfaces, be prepared to counter nose-right rotation with left pedal as governor increases RPM.

STARTING ENGINE AND RUN-UP (cont'd)

NOTE

For hydraulic system check, use small cyclic inputs. With hydraulics OFF, there should be approximately one half inch of freeplay before encountering control stiffness and feedback. With hydraulics ON, controls should be free with no feedback or uncommanded motion.

TAKEOFF PROCEDURE

1. Verify doors latched, governor and hydraulics ON, and RPM stabilized at 101 to 102%.
2. Clear area. Slowly raise collective until aircraft is light on skids. Reposition cyclic as required for equilibrium, then gently lift aircraft into hover.
3. Check gauges in green and adjust carb heat if required.
4. Lower nose and accelerate to climb speed following profile shown by height-velocity diagram in Section 5. If RPM drops below 101%, lower collective.

CRUISE

1. Adjust carb heat if required. (See page 4-12.)
2. Verify RPM in green arc.
3. Set manifold pressure as desired with collective. Observe MAP and airspeed limits. Maximum recommended cruise speed is 110 KIAS.
4. Verify gages in green, warning lights out.

CAUTION

Do not exceed 110 KIAS except in smooth air, and then only with caution. In turbulence, use lower airspeed. If turbulence is significant or becomes uncomfortable for the pilot, use 60 to 70 KIAS.

CAUTION

In-flight leaning with engine mixture control is not allowed. Mixture must be full rich during flight.

NOTE

When loaded near aft CG limit, slight yaw oscillation during cruise can be stopped by applying a small amount of left pedal.

DOORS-OFF OPERATION

Maximum airspeed with any door(s) off is 100 KIAS. Warn passenger to secure loose objects and to keep head and arms inside cabin to avoid high velocity airstream.

CAUTION

Ensure all seat belts are buckled during door-off flight. Rear seat bottoms may lift if not restrained and items in baggage compartments could be blown out.

CAUTION

Flight with left door(s) removed is not recommended. Loose objects exiting left doors may damage tail rotor.

PRACTICE AUTOROTATION – POWER RECOVERY

1. Adjust carb heat if required. (See page 4-12.)
2. Lower collective to down stop and reduce throttle as desired for tachometer needle separation.

CAUTION

To avoid inadvertent engine stoppage, do not chop throttle to simulate a power failure. Always roll throttle off smoothly. Recover immediately if engine is rough or engine RPM continues to drop.

NOTE

Governor is inactive below 80% engine RPM regardless of governor switch position.

NOTE

When entering autorotation from above 4000 feet, reduce throttle slightly before lowering collective to prevent engine overspeed.

3. Adjust collective to keep rotor RPM within limits and adjust throttle for tachometer needle separation.
4. Keep airspeed 60 to 70 KIAS.
5. At about 40 feet AGL, begin cyclic flare to reduce rate of descent and forward speed.
6. At about 8 feet AGL, apply forward cyclic to level aircraft and raise collective to control descent. Add throttle if required to keep RPM in green arc.

CAUTION

Simulated engine failures require prompt lowering of collective to avoid dangerously low rotor RPM. Catastrophic rotor stall could occur if the rotor RPM ever drops below 80% plus 1% per 1000 feet of altitude.

PRACTICE AUTOROTATION - WITH GROUND CONTACT

If practice autorotations with ground contact are required for demonstration purposes, perform in same manner as power recovery autorotations except:

Prior to cyclic flare, roll throttle off into overtravel spring and hold against hard stop until autorotation is complete. (This prevents throttle correlator from adding power when collective is raised.)

Always contact ground with skids level and nose straight ahead.

NOTE

Have landing gear skid shoes inspected frequently when practicing autorotations with ground contact. Rapid wear of skid shoes may occur.

HYDRAULICS-OFF TRAINING

Hydraulic system failure may be simulated using the cyclic-mounted hydraulic switch.

CAUTION

With hydraulics switched OFF, controlling helicopter in a hover may be difficult due to control system feedback forces.

CAUTION

Before switching hydraulics from OFF to ON, relax force on cyclic and collective to avoid overcontrolling.

USE OF CARBURETOR HEAT

Carburetor ice can form in a wide range of atmospheric conditions, but is most likely to form when OAT is between -4°C and 30°C (25°F and 86°F) and the difference between OAT and dew point is less than 15°C° (27F°). When conditions conducive to carburetor ice are suspected, use carburetor heat as follows:

During Run-up: Use full carburetor heat (it is filtered) during warm-up to preheat induction system.

During Flight: Use carb heat as required to keep CAT gage indication out of yellow arc.

CAUTION

The pilot may be unaware of carburetor ice formation as the governor will automatically increase throttle and maintain constant manifold pressure and RPM. Therefore, the pilot must apply carburetor heat as required whenever icing conditions are suspected.

USE OF CARB HEAT ASSIST

R44 helicopter S/N 0202 and on are equipped with a carburetor heat assist device.

The carb heat assist correlates application of carburetor heat with changes in collective setting to reduce pilot work load. Lowering collective mechanically adds heat and raising collective reduces heat. A friction clutch allows the pilot to override the system and increase or decrease heat as required.

A latch is provided at the control knob to lock carburetor heat off. The knob should be left unlatched unless it is obvious that conditions are not conducive to carburetor ice. Apply carburetor heat as required if carburetor ice is a possibility. Monitor CAT gage and readjust as necessary following lift to hover or any power change.

DESCENT, APPROACH, AND LANDING

1. Reduce power with collective as desired. Adjust carb heat as required. Observe airspeed limits. Maximum recommended airspeed is 110 KIAS except in smooth air.

CAUTION

Do not initiate a descent with forward cyclic. This can produce a low-G condition. Always initiate a descent by lowering collective.

2. Make final approach into wind at lowest practical rate of descent with initial airspeed of 60 knots.
3. Reduce airspeed and altitude smoothly to hover. (Be sure rate of descent is less than 300 FPM before airspeed is reduced below 30 KIAS.)
4. From hover, lower collective gradually until ground contact.
5. After initial ground contact, lower collective to full down position.

CAUTION

When landing on a slope, return cyclic control to neutral before reducing rotor RPM.

CAUTION

Never leave helicopter flight controls unattended while engine is running.

CAUTION

Hold throttle closed if passenger is entering or exiting with engine running and left seat collective installed.

SHUTDOWN PROCEDURE

Collective down, RPM 60-70% Friction ON
Cyclic and pedals neutral Friction ON
CHT drop Throttle closed
Clutch switch Disengage
Wait 30 seconds Mixture OFF
Mixture guard Back on mixture
Wait 30 seconds Apply rotor brake
Clutch light Extinguishes
Avionics, alt, battery, and ignition switches OFF

NOTE

If ambient temperature is above 100°F (38°C), cool down at 60-70% RPM for at least one minute before reducing to idle.

NOTE

During idle and after engine shutdown, pilot should uncover one ear and listen for unusual noise which may indicate impending failure of a bearing or other component.

CAUTION

Do not slow rotor by raising collective during shutdown. Blades may flap and strike tailcone.

NOTE

HYD switch should be left ON for start-up and shutdown to reduce possibility of unintentional hydraulics-off liftoff. Switch OFF only for pre-takeoff controls check or hydraulics-off training.

NOISE ABATEMENT

To improve the quality of our environment and to dissuade overly restrictive ordinances against helicopters, it is imperative that every pilot minimize noise irritation to the public. Following are several techniques which should be employed when possible.

1. Avoid flying over outdoor assemblies of people. When this cannot be avoided, fly as high as practical, preferably over 2000 feet AGL.
2. Avoid blade slap. Blade slap generally occurs at airspeeds below 100 KIAS. It can usually be avoided by maintaining 100 KIAS until rate of descent is over 1000 FPM, then using a fairly steep approach until airspeed is below 65 KIAS. With the right door vent open, the pilot can easily determine those flight conditions which produce blade slap and develop piloting techniques to eliminate or reduce it.
3. When departing from or approaching a landing site, avoid prolonged flight over noise-sensitive areas. Always fly above 500 feet AGL and preferably above 1000 feet AGL.
4. Repetitive noise is far more irritating than a single occurrence. If you must fly over the same area more than once, vary your flight path to not overfly the same buildings each time.
5. When overflying populated areas, look ahead and select the least noise-sensitive route.

NOTE

Above procedures do not apply where they would conflict with Air Traffic Control clearances or instructions or when, in the pilot's judgment, they would result in an unsafe flight path.

INTENTIONALLY BLANK

**SECTION 5
PERFORMANCE
CONTENTS**

	Page
General	5-1
Demonstrated Operating Temperature	5-1
Airspeed Calibration Curve	5-2
Density Altitude Chart	5-3
IGE Hover Ceiling Vs. Gross Weight	5-4
OGE Hover Ceiling Vs. Gross Weight	5-5
Height-Velocity Diagram	5-6
Noise Characteristics	5-7

INTENTIONALLY BLANK

**SECTION 5
PERFORMANCE**

GENERAL

IGE hover controllability has been substantiated in 17 knot wind from any direction up to 9600 feet (2930 meters) density altitude. Refer to hover performance charts for allowable gross weight.

CAUTION

Performance data presented in this section was obtained under ideal conditions. Performance under other conditions may be substantially less.

NOTE

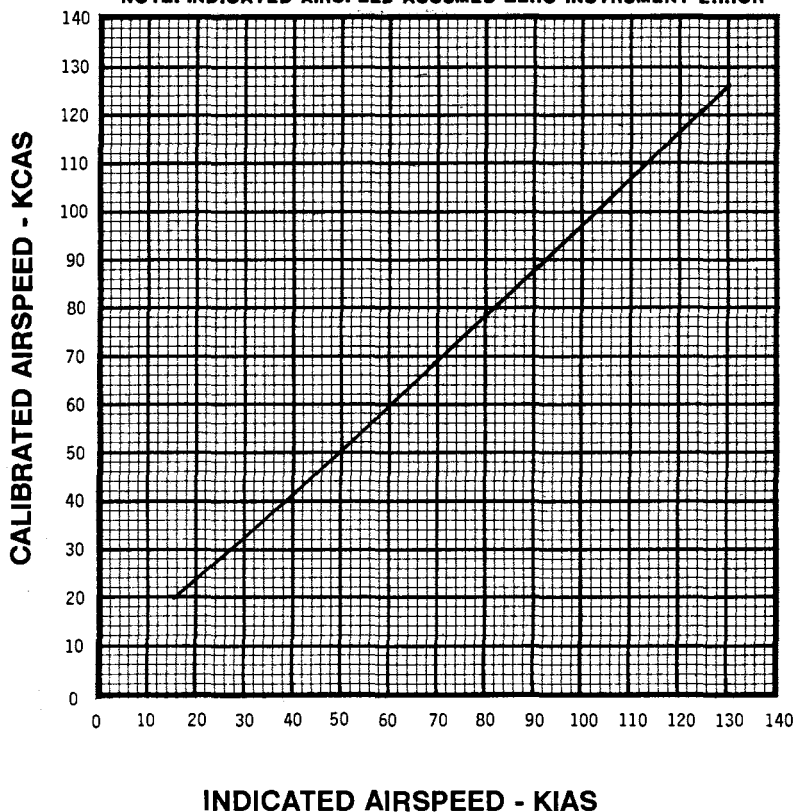
Hover performance data given is with carburetor heat off. Full carburetor heat reduces hover ceilings by up to 2400 feet (730 meters).

Indicated airspeed (KIAS) shown on charts assumes zero instrument error.

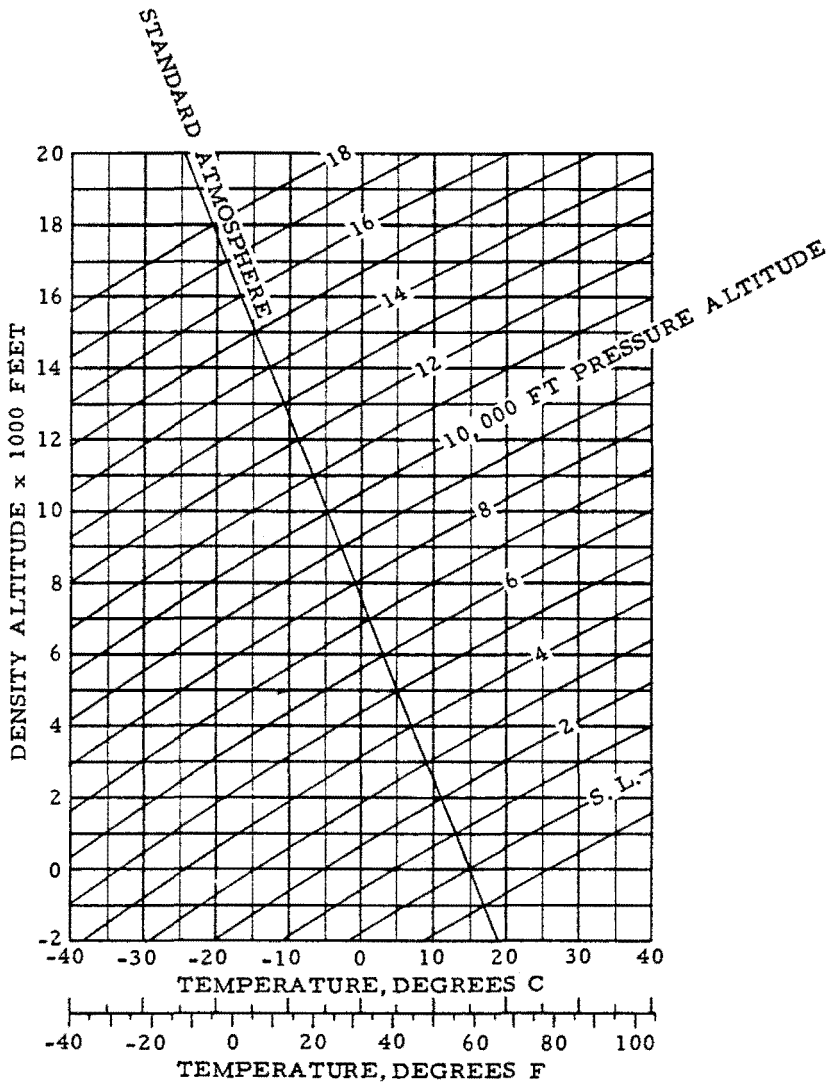
DEMONSTRATED OPERATING TEMPERATURE

Satisfactory engine cooling has been demonstrated to an outside air temperature of 38°C (100°F) at sea level or 23°C (41°F) above ISA at altitude.

NOTE: INDICATED AIRSPEED ASSUMES ZERO INSTRUMENT ERROR

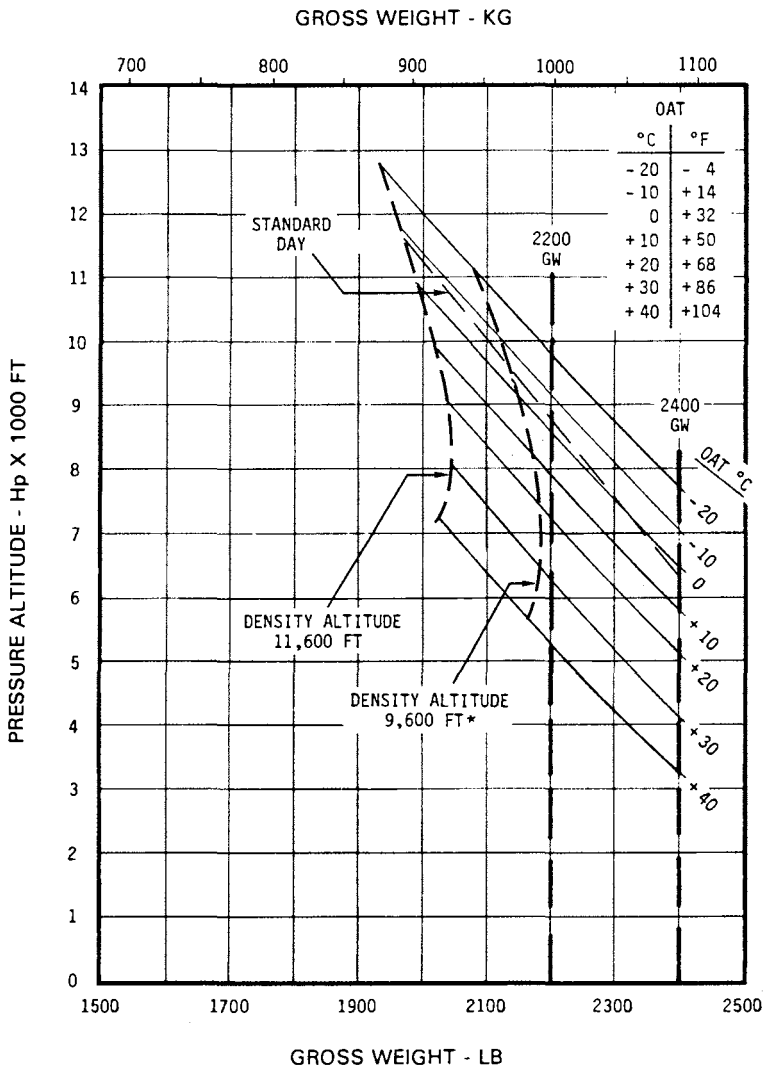


AIRSPEED CALIBRATION CURVE



DENSITY ALTITUDE CHART

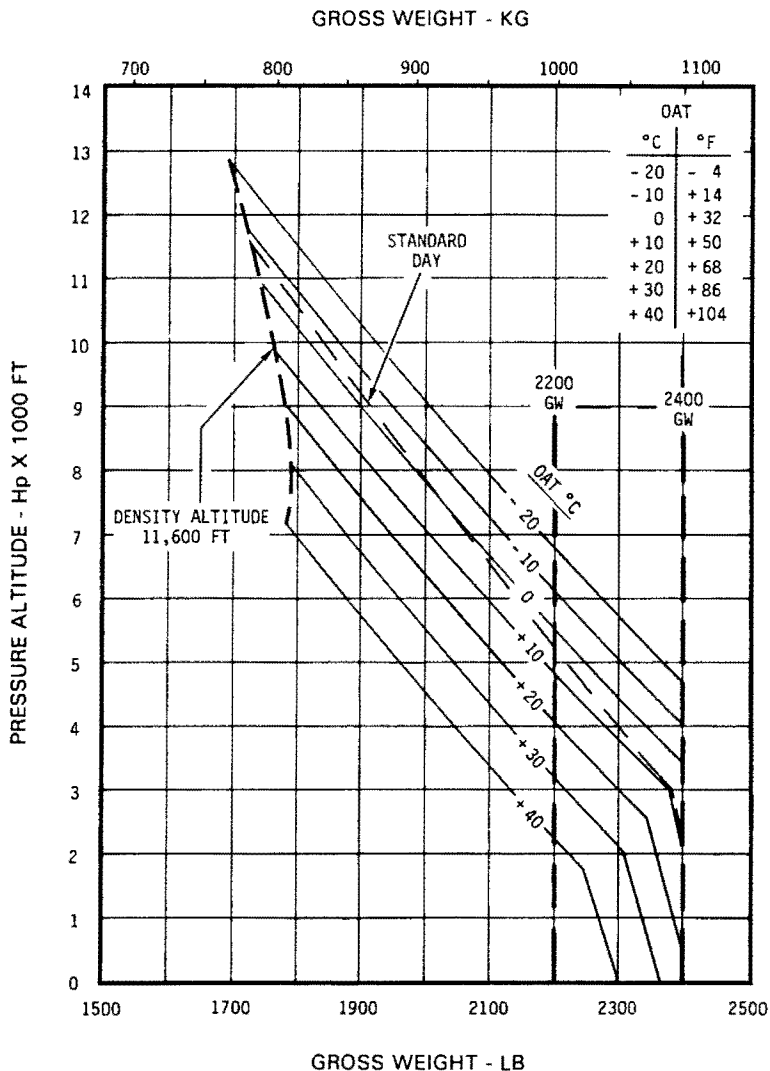
IN GROUND EFFECT AT 2 FOOT SKID HEIGHT
FULL THROTTLE
101-102% RPM
ZERO WIND



IGE HOVER CEILING VS. GROSS WEIGHT

*Hover controllability with 17 knot wind substantiated up to 9600 feet density altitude.

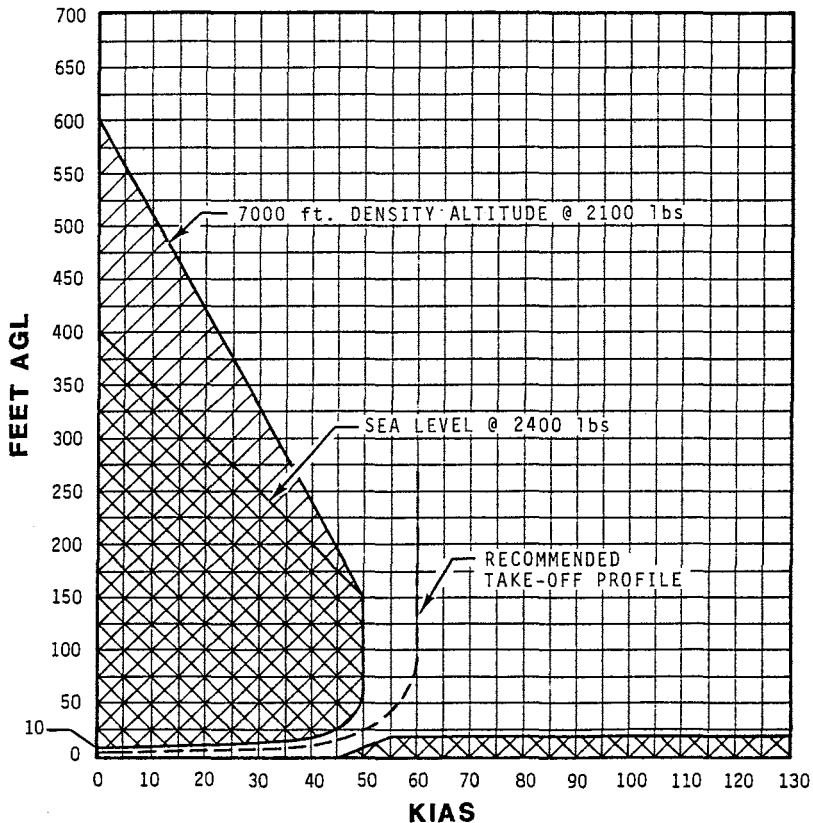
OUT OF GROUND EFFECT, ZERO WIND
TAKEOFF POWER OR FULL THROTTLE
101-102% RPM



OGE HOVER CEILING VS. GROSS WEIGHT

DEMONSTRATED CONDITIONS:
SMOOTH HARD SURFACE
WIND CALM
GOVERNOR ON

AVOID OPERATION IN SHADED AREAS



HEIGHT - VELOCITY DIAGRAM

NOISE CHARACTERISTICS

The following noise levels comply with 14 CFR Part 36, Appendix J and ICAO Annex 16, Chapter 11 noise requirements and were obtained from FAA-approved data from actual noise tests.

Model: R44
 Engine: Lycoming O-540-F1B5
 Gross Weight: 2400 lb (1089 kg)

Configuration		V _H KTAS	Flyover Sound Exposure Level dB(A)
Earlier Version	Large Muffler	108	78.9
	Small Muffler		81.9
Later Version	Large Muffler	107	81.0

Notes:

1. Configurations are:

Earlier version — Horizontal Stabilizer is mounted adjacent to tail gearbox.

Later version — Horizontal Stabilizer is mounted under tailcone forward of tail rotor.

2. Large muffler is P/N C169-35 or -36

Small muffler is P/N C169-1 or -3

3. Later version with small muffler is not an approved configuration.

These noise levels meet the requirements for a Stage 3 helicopter as defined in 14 CFR Part 36.

NOTE

No determination has been made by the Federal Aviation Administration that the noise levels of this aircraft are or should be acceptable or unacceptable for operation at, into, or out of any airport.

THIS PAGE INTENTIONALLY LEFT BLANK.

SECTION 6

WEIGHT AND BALANCE

CONTENTS

	Page
General	6-1
Weight and Balance Record	6-2
Loading Instructions	6-4

INTENTIONALLY BLANK

SECTION 6

WEIGHT AND BALANCE

GENERAL

The helicopter must be flown only within weight and balance limits specified in Section 2. Loadings outside these limits can result in insufficient control travel for safe operation.

The center of gravity may be adjusted by adding removable ballast (any appropriate item of mass) to any under-seat baggage compartment. Recalculate weight and balance after adding ballast, and verify ballast meets baggage compartment limits given in Section 2.

Loaded helicopter weight and balance can be determined using the method given under **LOADING INSTRUCTIONS**.

In accordance with FAA procedures, the detail weight and balance data of this section are not subject to FAA approval. The loading instructions of this section, however, have been approved by the FAA as satisfying all requirements for instructions on loading of the rotorcraft within approved limits of weight and center of gravity and on maintaining the loading within such limits.

CAUTION

Fuel burn causes CG to move forward during flight. Always determine safe loading with empty fuel as well as with takeoff fuel. Payload may be limited by forward CG as fuel is burned.

WEIGHT AND BALANCE RECORD

The following form should be used to maintain a continuous record of your helicopter's weight and balance. Each time an item of equipment is removed or installed, an entry must be made and the new empty CG determined. The original factory weight and balance and an equipment list is supplied with each helicopter on a form which is inserted at the end of this section. This weight and balance provides the first entry in the Weight and Balance Record form.

NOTE

Calculated CG with full fuel and 150 lb pilot must be within CG limits. Following modification, adjustment to fixed nose ballast may be required. See R44 Maintenance Manual.

LOADING INSTRUCTIONS

The following table may be used when calculating loaded helicopter weight and CG position.

COMMON ITEM WEIGHT & CG

Item	Weight (lb)	Longitudinal arm (in.)	Lateral arm (in.) (+ = right side)
Pilot (right forward seat)		49.5 *	+ 12.2
Left forward passenger		49.5 *	- 10.4
Baggage under forward seats		44.0	± 11.5
Aft passengers and baggage under aft seats		79.5	± 12.2
Main fuel**		106.0	- 13.5
Aux fuel**		102.0	+ 13.0
Forward doors	7.5 each	49.4	± 24.0
Aft doors	7.0 each	75.4	± 23.0
Removable controls (cyclic, collective, pedals)	2.0	31.0	- 13.0
Items on accessory mount bars		25.0	± 14.0

* If additional backrest cushion is used, subtract thickness of compressed cushion.

** A longitudinal arm of 104.5 in. may be used for combined main and aux fuel.

LOADING INSTRUCTIONS (cont'd)

The following sample calculation demonstrates how to determine loaded helicopter weight and center of gravity. A worksheet is provided on the page following the sample calculation for a weight and balance calculation for your helicopter. Calculated weight and balance must be compared with the CG limits given in Section 2 to determine safe loading. Both takeoff and empty fuel conditions must be within limits.

Lateral CG usually falls well within limits for conventional loadings. If an unusual lateral installation or loading occurs, lateral CG should be checked against the CG limits given in Section 2. The lateral reference datum is the aircraft centerline with items to the right positive and items to the left negative.

LOADING INSTRUCTIONS (cont'd)

SAMPLE LOADING CALCULATION

Item	Weight (lb)	Location		Moment	
		Long. Arm (in.)	Lat. Arm (in.) + = Right Side	Long. (in.-lb)	Lat. (in.-lb)
Basic empty weight	1460	106.2	0.2	155,052	292
Remove forward right door	-7.5	49.4	24.0	-371	-180
Remove forward left door		49.4	-24.0		
Remove aft right door		75.4	23.0		
Remove aft left door		75.4	-23.0		
Remove left seat controls		31.0	-13.0		
Pilot (forward right seat)	170	49.5	12.2	8415	2074
Left forward passenger	170	49.5	-10.4	8415	-1768
Aft right passenger	160	79.5	12.2	12,720	1952
Aft left passenger	130	79.5	-12.2	10,335	-1586
Baggage under forward right seat	10	44.0	11.5	440	115
Baggage under forward left seat	10	44.0	-11.5	440	-115
Baggage under aft right seat		79.5	12.2		
Baggage under aft left seat	10	79.5	-12.2	795	-122
Items on accessory mount bars	5	25.0	14.0	125	70
Zero usable fuel weight and CG*	2117.5	92.7	0.3	196,366	732
Usable main fuel at 6 lb/gal.	177	106.0	-13.5	18,762	-2390
Usable aux fuel at 6 lb/gal.	102	102.0	13.0	10,404	1326
Takeoff Gross Weight and CG*	2396.5	94.1	-0.1	225,532	-332

* CG location (arm) for loaded helicopter is determined by dividing total moment by total weight.

LOADING INSTRUCTIONS (cont'd)

LOADING CALCULATION WORKSHEET

Item	Weight (lb)	Location		Moment	
		Long. Arm (in.)	Lat. Arm (in.) + = Right Side	Long. (in.-lb)	Lat. (in.-lb)
Basic empty weight					
Remove forward right door		49.4	24.0		
Remove forward left door		49.4	- 24.0		
Remove aft right door		75.4	23.0		
Remove aft left door		75.4	- 23.0		
Remove left seat controls		31.0	- 13.0		
Pilot (forward right seat)		49.5	12.2		
Left forward passenger		49.5	- 10.4		
Aft right passenger		79.5	12.2		
Aft left passenger		79.5	- 12.2		
Baggage under forward right seat		44.0	11.5		
Baggage under forward left seat		44.0	- 11.5		
Baggage under aft right seat		79.5	12.2		
Baggage under aft left seat		79.5	- 12.2		
Items on accessory mount bars		25.0			
Zero usable fuel weight and CG*					
Usable main fuel at 6 lb/gal.		106.0**	- 13.5		
Usable aux fuel at 6 lb/gal.		102.0**	13.0		
Takeoff Gross Weight and CG*					

* CG location (arm) for loaded helicopter is determined by dividing total moment by total weight.

** A longitudinal arm of 104.5 in. may be used for combined main and aux fuel. Do not use combined main and aux fuel if calculating lateral arm.

THIS PAGE INTENTIONALLY BLANK

**SECTION 7
SYSTEMS DESCRIPTION
CONTENTS**

	Page
General	7-1
Rotor Systems	7-2
Drive System	7-2
Powerplant	7-3
Flight Controls	7-3
Removable Flight Controls	7-5
Control Friction Adjustment	7-6
RPM Governor	7-6
Hydraulic System	7-7
Engine Controls	7-8
Clutch Actuator	7-9
Fuel System	7-10
Electrical System	7-11
Lighting System	7-16
External Power Receptacle (Optional)	7-17
Instrument Panel	7-17
Audio System	7-21
Optional Avionics	7-21
Pitot-Static System	7-22
Dual Tachometer	7-22
Warning and Caution Lights	7-23
Audio Alerts	7-24
Engine Monitoring Unit	7-25
Cabin Heating and Ventilation	7-26
Seats, Belts, and Baggage	7-26
Landing Gear	7-27
Rotor Brake	7-28
Engine Primer System (Optional)	7-29
Carbon Monoxide Detector	7-29
ADS-B Equipment	7-30
Emergency Locator Transmitter (Optional)	7-31
Accessory Mounts (Optional)	7-32
Cockpit Camera (Optional)	7-33
Cyclic Guard (Optional)	7-34

INTENTIONALLY BLANK

SECTION 7

SYSTEMS DESCRIPTION

GENERAL

The R44 is a four-place, single main rotor, single engine helicopter constructed primarily of metal and equipped with skid-type landing gear.

The primary fuselage structure is welded steel tubing and riveted aluminum sheet. The tailcone is a monocoque structure in which aluminum skins carry most primary loads. Fiberglass and thermoplastics are used in secondary cabin structure, engine cooling shrouds, and various other ducts and fairings. The cabin doors are also constructed of fiberglass and thermoplastics.

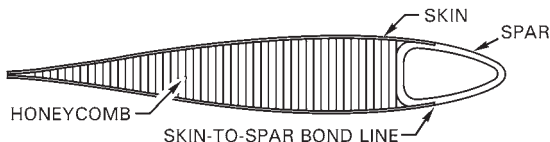
Four right-side cowl doors provide access to the main gearbox, drive system, and engine. A left-side engine cowl door provides access to the engine oil filler and dip stick. Additional access to controls and other components for maintenance is provided by removable panels and cowlings.

Stainless steel firewalls are located forward of and above the engine.

The four cabin doors are removable. Refer to Section 8 for removal and installation procedures.

ROTOR SYSTEMS

The main rotor has two all-metal blades mounted to the hub by coning hinges. The hub is mounted to the shaft by a teeter hinge. The coning and teeter hinges use self-lubricated bearings. Droop stops for the main rotor blades provide a teeter hinge friction restraint which normally prevents the rotor from teetering while starting or stopping. Pitch change bearings for each blade are enclosed in a housing at the blade root. The housing is filled with oil and sealed with an elastomeric boot. Each blade has a thick stainless steel spar at the leading edge which is resistant to corrosion and erosion. The skins are bonded to the spar approximately one inch aft of the leading edge. Blades must be refinished if the paint erodes to bare metal at the skin-to-spar bond line. Bond may be damaged if bond line is exposed.



MAIN ROTOR BLADE CONSTRUCTION

The tail rotor has two all-metal blades and a teetering hub with a fixed coning angle. The pitch change bearings have self-lubricated liners. The teeter hinge bearings either have self-lubricated liners or are elastomeric. The tail rotor blades are constructed with aluminum skins and root fittings. Maintaining the paint finish will reduce corrosion and erosion.

DRIVE SYSTEM

A vee-belt sheave is bolted directly to the engine output shaft. Vee-belts transmit power to the upper sheave which has an overrunning clutch contained in its hub. The inner shaft of the clutch transmits power forward to the main rotor and aft to the tail rotor. Flexible couplings are located at the main gearbox input and at each end of the long tail rotor drive shaft.

The main gearbox contains a single-stage spiral-bevel gear set which is splash lubricated. Cooling ducts under the gearbox are connected to the top of the engine cooling scroll. The main gearbox is supported by four rubber mounts.

DRIVE SYSTEM (cont'd)

The long tail rotor drive shaft has no support bearings but has a lightly-loaded damper bearing. The tail gearbox contains a single 90° splash-lubricated spiral-bevel gear set.

POWERPLANT

One Lycoming O-540 six-cylinder, horizontally-opposed, overhead-valve, air-cooled, carbureted engine with a wet sump oil system powers the helicopter. The engine is equipped with a starter, alternator, shielded ignition, two magnetos, muffler, oil cooler, and induction air filter. See Sections 1 and 2 for powerplant specifications and limitations.

A direct-drive, squirrel-cage fan wheel mounted to the engine output shaft supplies cooling air to the cylinders and oil cooler via a fiberglass and aluminum shroud.

Induction air enters through an opening on the right side of the fuselage and passes through a flexible duct to the carburetor air box. A second flexible duct passes heated air from exhaust-mounted scoop to the air box. A sliding valve controlled by the carburetor heat control adjusts the mix of cool and heated air, which then flows through the air filter and up into the carburetor.

The pilot should adhere to recommended procedures in the Lycoming Operator's Manual to obtain maximum engine life and efficiency.

FLIGHT CONTROLS

Dual controls are standard equipment and all primary controls are actuated through push-pull tubes and bellcranks. Bearings used throughout the control system are either sealed ball bearings which do not require lubrication or have self-lubricated liners.

FLIGHT CONTROLS (cont'd)

Flight control operation is conventional. The cyclic is center mounted with the left and right control grips mounted to a cross tube which pivots on the center cyclic post. On later aircraft, the pilot's cyclic grip angle can be adjusted fore and aft relative to the cross tube by a mechanic to achieve the most comfortable hand position. The most forward position provides the most control clearance at aft cyclic for larger pilots. Pilots should always verify the ability to apply full control travel prior to flight.

Collective operation is conventional. The engine throttle is correlated to collective inputs through a mechanical linkage. When the collective is raised, the throttle is opened and when the collective is lowered, the throttle is closed. The collective stick also incorporates a twist grip throttle control which is described in the Engine Controls section.

CAUTION

Above 4000 feet (1200 meters), throttle-collective correlation and governor are less effective. Therefore, power changes should be slow and smooth.

CAUTION

At high power settings above 4000 feet (1200 meters), the throttle is frequently wide open and RPM must be controlled with collective.

On later aircraft, right-side tail rotor pedals are adjustable. To adjust, remove quick-release pin on each pedal by depressing button and pulling. Slide pedal fore or aft to most comfortable of three adjustment positions and reinstall quick-release pin. Verify pins are secure before flight.

Left-side pedals are not adjustable. However, optional pedals designed for shorter pilots (Robinson part nos. F755-9 and -10) may be installed in place of standard pedals.

REMOVABLE FLIGHT CONTROLS

Left seat pilot controls may be removed and installed by maintenance personnel or pilots as follows:

1. To remove cyclic grip, remove quick-release pin by depressing button and pulling, then pull outward on left grip while supporting cyclic center post. On aircraft with hydraulic controls, rotate right-side cyclic cross tube clockwise to stop, depress stop pin under cyclic pivot, and continue clockwise rotation one turn to wind up balance spring. To install removable cyclic grip, use reverse procedure.

NOTE

Later aircraft have a knurled ring next to the quick-release pin which may be hand tightened to eliminate freeplay. The ring must be loose (rotate counterclockwise looking inboard) to remove pin.

CAUTION

Overrotating cyclic cross tube in either wound or unwound direction will damage balance spring.

CAUTION

After removing cyclic grip, place plastic cap on exposed cyclic cross tube to prevent possible injury to left seat passenger.

2. To remove collective, push boot aft to expose locking pins. Depress locking pins and pull forward on stick. To install, use reverse procedure. It may be necessary to rotate stick slightly to allow pins to snap into place.

CAUTION

When collective is installed, ensure that both locking pins are fully engaged through holes on each side.

3. To remove tail rotor pedals, depress locking pin while twisting pedal counterclockwise, then pull up. To install, use reverse procedure. On later aircraft, a cover which is stowed under the floor scuff plate may be rotated up to cover the floor openings when the pedals are removed.

CONTROL FRICTION ADJUSTMENT

Cyclic and collective controls are equipped with adjustable friction devices. The collective friction lever is located near the aft end of the pilot's collective. It is actuated aft to increase friction and forward to release it.

The cyclic friction knob is located left of the cyclic center post. Turning the knob clockwise applies friction to both longitudinal and lateral cyclic.

CAUTION

Control friction must be used with caution during flight. Excessive friction may make the helicopter difficult to control.

The pedals actuate push-pull controls connected directly to the tail rotor pitch control and do not incorporate any friction devices. An elastomeric trim spring provides a left pedal force to balance feedback forces in flight.

RPM GOVERNOR

The governor maintains engine RPM by sensing changes and applying corrective throttle inputs through a friction clutch which can be easily overridden by the pilot. The governor is active only above 80% engine RPM and can be switched on or off using the toggle switch on the end of the right seat collective.

The governor is designed to assist in controlling RPM under normal conditions. It may not prevent over- or under-speed conditions generated by aggressive flight maneuvers.

CAUTION

When operating at high density altitudes, governor response rate may be too slow to prevent overspeed during gusts, pull-ups, or when lowering collective.

HYDRAULIC SYSTEM

Hydraulically-boosted main rotor flight controls eliminate cyclic and collective feedback forces. The hydraulic system consists of a pump, three servos, a reservoir, and interconnecting lines. Normal operating pressure is 450 to 500 psi. The pump is mounted on and driven by the main gearbox. A servo is connected to each of the three push-pull tubes that support the main rotor swashplate. The reservoir is mounted on the steel tube frame behind the main gearbox and includes a filter, pressure relief valve, and pilot-controlled pressure shut-off valve.

A sight gage for pre-flight fluid level checks is incorporated in the reservoir and is visible by opening a right side cowl door. A vented filler cap is located on top of the reservoir.

The pressure shut-off valve is solenoid-actuated and controlled by the hydraulic switch on the pilot's cyclic grip. The switch should be left ON during helicopter shutdown and start up except during the hydraulic system check.

NOTE

Electrical power is required to switch hydraulics OFF. Pulling HYD circuit breaker will NOT turn off hydraulics but will disable hydraulic switch.

Without hydraulic pressure, a large pilot input force is required to increase collective. Collective inputs also cause longitudinal cyclic forces which makes it difficult to maintain a steady hover. The servos have an irreversible feature to prevent rotor feedback forces from moving the controls. This allows the pilot to relax pressure on the controls in steady cruise flight. However, any cyclic input will cause the collective to lower and therefore the collective will have to be increased periodically.

ENGINE CONTROLS

A twist-grip throttle control is located on each collective stick. The controls are interconnected and actuate the throttle valve through a mechanical linkage. The engine throttle is also correlated to collective inputs through a mechanical linkage. When the collective is raised, the throttle is opened and when the collective is lowered, the throttle is closed.

The electronic engine governor makes minor throttle adjustments by rotating the twist grip to maintain RPM within power-on limits. Manual manipulation of the twist grip is not typically required except during start up, shut down, autorotation practice, and emergencies.

An overtravel spring located in the throttle linkage allows the pilot to roll throttle off beyond the idle stop prior to a ground contact (run-on) autorotation landing. This prevents the throttle from opening when the collective is raised.

Correct throttle linkage adjustment may be verified during preflight by rolling the twist-grip through the overtravel spring and holding against the hard idle stop. The carburetor throttle arm should just barely start to move when the collective is raised full up.

Other engine controls include a mixture control located forward and to the right of the cyclic center post and a carburetor heat control located to the left of the cyclic. Later R44s are equipped with Carb Heat Assist which is described in Section 4.

CLUTCH ACTUATOR

After the engine is started, it is coupled to the rotor drive system through vee-belts which are tensioned by raising the upper drive sheave. An electric actuator, located between the drive sheaves, raises the upper sheave when the pilot engages the clutch switch. The actuator senses compressive load (belt tension) and switches off when the vee-belts are properly tensioned. The clutch caution light illuminates whenever the actuator circuit is energized, either engaging, disengaging, or retensioning the belts. The light stays on until the belts are properly tensioned or completely disengaged.

Belt slack during engine start should be adjusted such that blades begin turning within five seconds of clutch engagement. Excessive slack may cause belts to jump out of sheave grooves during start. Periodic readjustment by a mechanic may be required as belts wear in service.

A fuse located on the test switch panel prevents an actuator motor overload from tripping the clutch circuit breaker. If the fuse blows, the actuator motor will stop but the clutch caution light will remain illuminated. An open circuit breaker removes power from both the motor and the light. With an open circuit breaker, no belt tensioning will occur, and the light will not function to indicate an abnormal condition.

CAUTION

Never take off while clutch caution light is on.

FUEL SYSTEM

The fuel system is gravity-flow (no fuel pumps) and includes main and auxiliary tanks, a shutoff valve control located between the front seats, and a strainer (gascolator). The fuel tanks have flexible bladders in aluminum enclosures. Fuel tank air vents are located inside the mast fairing.

Plunger-style drain valves are provided for the gascolator and for each fuel tank sump. The gascolator is located on the lower right side of the firewall and is drained by pushing up on the plastic tube which extends below the belly. Valves for both tanks are located inside the right cowl door below the auxiliary tank. Fuel samples are taken by extending the plastic tubes clear of the aircraft and pushing on the plungers. On newer helicopters, a glass tube stowed inside the upper, aft cowl door is provided which may be used to catch the fuel samples. Fuel should be sampled from all three locations prior to the first flight of the day and after refueling to verify no contamination and correct grade.

The fuel gages are electrically operated by float-type transmitters in the tanks. When the gages read E the tanks are empty except for a small quantity of unusable fuel. The low fuel caution light is actuated by a separate electric sender located on the bottom of the main tank.

The auxiliary tank is interconnected with the main tank and is located somewhat higher so it will become empty first while fuel still remains in the main tank. The fuel shutoff valve controls flow from both tanks to the engine.

ELECTRICAL SYSTEM

A 14-volt DC electrical system which includes an alternator and a sealed lead-acid battery is standard on earlier aircraft. A 28-volt electrical system is standard on later aircraft. The battery is located either in the engine compartment, under the left front seat, or beneath the instrument console.

The circuit breaker panel is on the ledge just forward of the left front seat. Breakers are marked to indicate function and amperage. Inflight reset of circuit breakers is not recommended.

The battery switch controls the battery relay which disconnects the battery from the electrical system. A wire protected by a fuse near the battery bypasses the battery relay to allow both tachometers and the clock to continue to receive battery power with the battery switch off.

The alternator control unit protects the electrical system from overvoltage conditions. The ammeter indicates current to the battery ("—" indicates discharge). An ALT caution light or ammeter discharge indication in flight indicates low voltage and possible alternator failure. Turn off nonessential electrical equipment and switch alternator off then back on after one second to reset alternator control unit. If ALT light stays on or ammeter still indicates discharge, land as soon as practical.

CAUTION

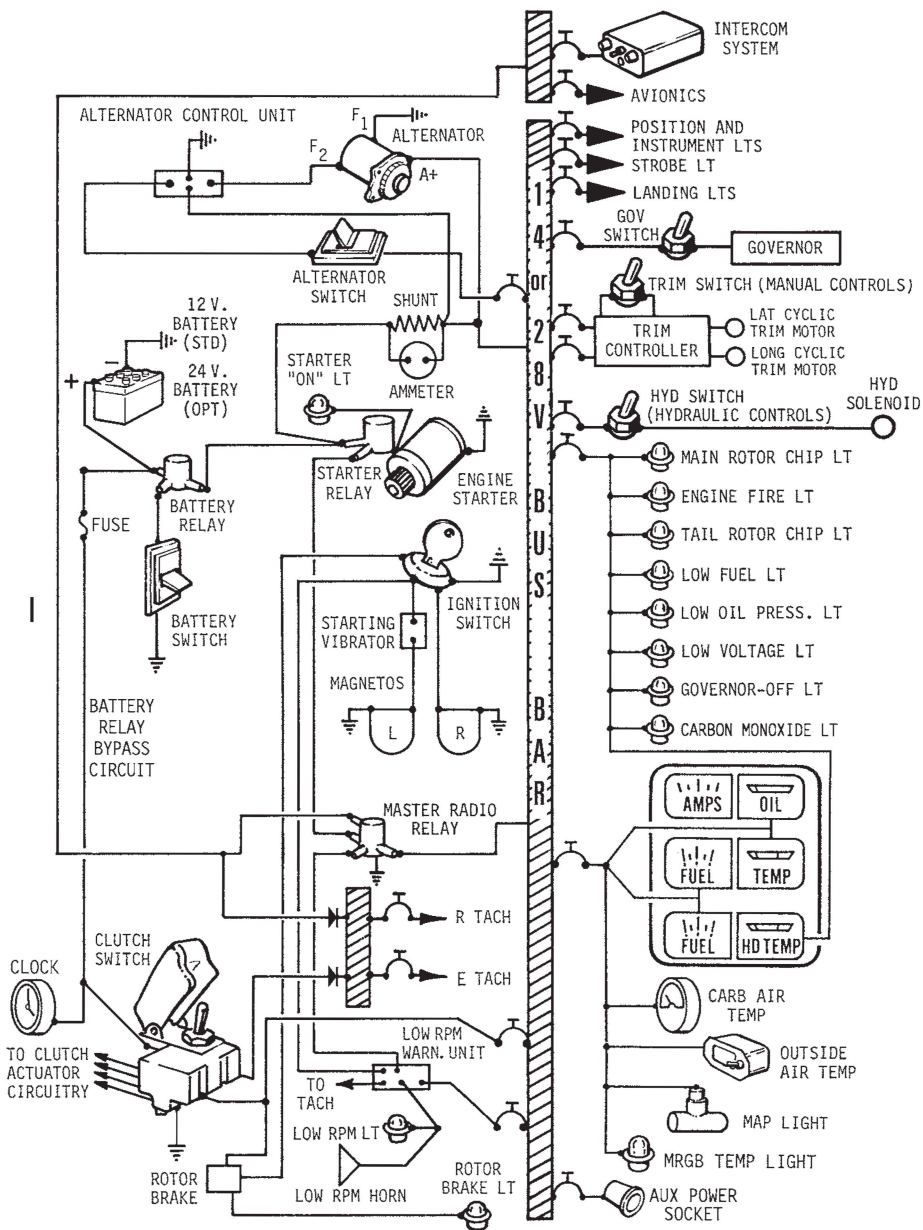
Continued flight without functioning alternator can result in loss of power to tachometers, producing a hazardous flight condition.

NOTE

Except for emergency procedures, do not operate alternator with battery switched off. The battery helps protect electrical equipment from voltage spikes.

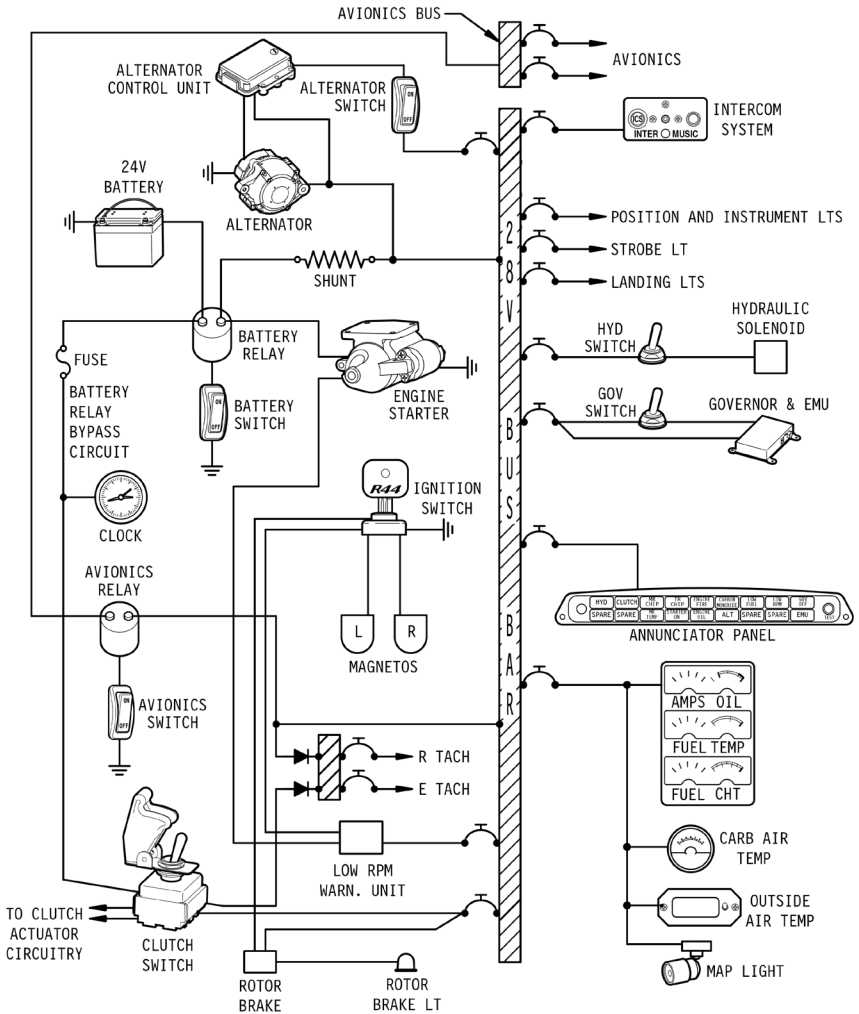
Later aircraft have an avionics master switch which controls power to the avionics bus. This allows all avionics to be switched on and off by a single switch.

ELECTRICAL SYSTEM (cont'd)



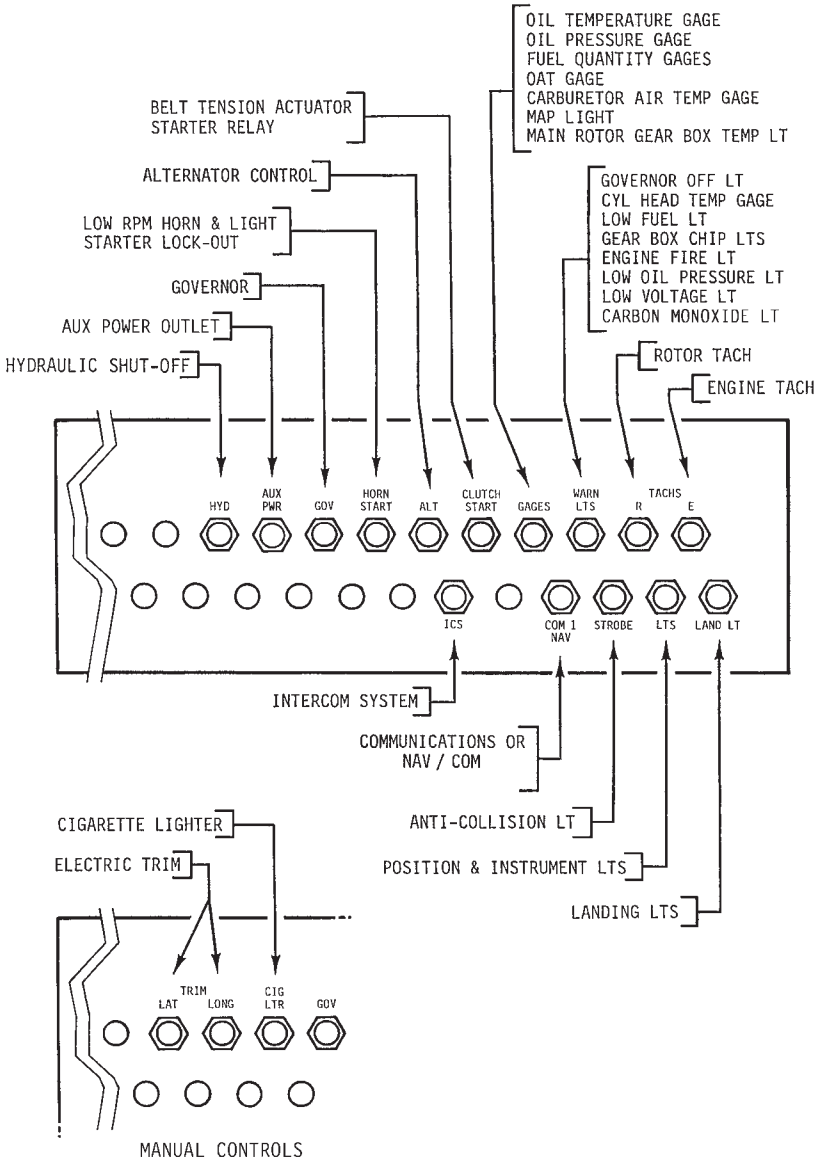
ELECTRICAL SYSTEM (EARLIER AIRCRAFT)

ELECTRICAL SYSTEM (cont'd)



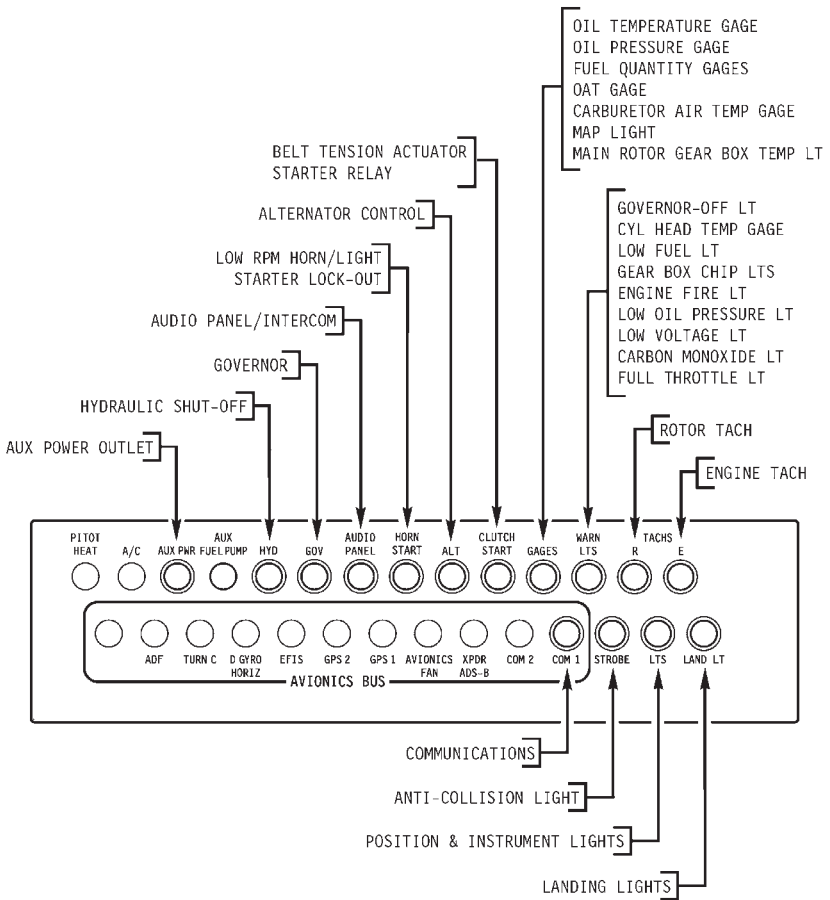
ELECTRICAL SYSTEM (LATER AIRCRAFT)

ELECTRICAL SYSTEM (cont'd)



CIRCUIT BREAKER PANEL – TYPICAL (EARLIER AIRCRAFT)

ELECTRICAL SYSTEM (cont'd)



CIRCUIT BREAKER PANEL – TYPICAL (LATER AIRCRAFT)

LIGHTING SYSTEM

A red anti-collision light is installed on the tailcone and is controlled by the strobe switch. Position lights are installed on each side of the cabin and in the tail and are controlled by the nav lights switch. Post and internal lights (earlier aircraft) or a light at the top of the windshield (later aircraft) illuminate the instruments. Instrument lighting is active when the nav lights switch is on and lighting is dimmed via the knob above the nav lights switch. An overhead map light mounted on a swivel is controlled by an adjacent switch. The map light may be used for emergency lighting of the instrument panel.

Two landing lights are installed in the nose at different vertical angles to increase the lighted area. One landing light switch controls both lights and is located on the cyclic center post.

NOTE

Landing lights operate only when clutch actuator switch is in the engage position.

NOTE

Continuous operation of landing and position lights in flight is recommended to promote collision avoidance.

An optional flashing light may be mounted on the tailcone in addition to the standard anti-collision light. On earlier aircraft, the optional light is controlled by the strobe switch and the standard light is powered whenever the battery switch is on. On later aircraft, the optional light is controlled by a separate switch.

EXTERNAL POWER RECEPTACLE (OPTIONAL)

An optional 28-volt SAE AS35061-style external power receptacle is located inside the right engine cowl door. When the battery is switched on, the external power relay and the battery relay both close, connecting external power to the aircraft electrical system and battery. The external power relay will not close if reverse polarity is sensed by the receptacle.

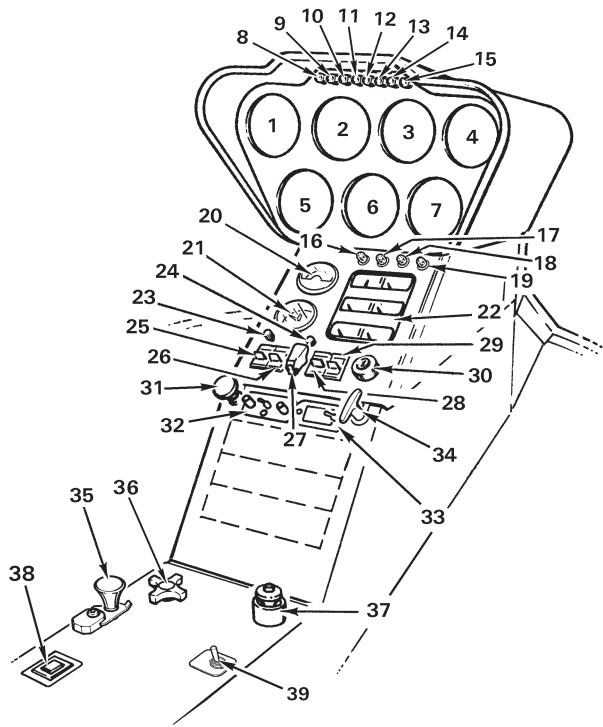
A separate wire from the external power receptacle to the battery bypasses the external power and battery relays. This wire allows battery charging via the external receptacle with the battery switch off. A 20-amp (10 amp on earlier aircraft) circuit breaker at the receptacle opens if current exceeds normal charging levels, and a diode provides polarity protection.

To use ground power for engine starting, have ground personnel connect ground power to the external receptacle prior to engaging starter, disconnect after engine start, and latch cowl door. Starts using ground power assist follow the same procedure as normal starts.

INSTRUMENT PANEL

Standard primary instruments include an airspeed indicator, engine and rotor dual tachometer, altimeter, manifold pressure gage, and magnetic compass. Engine gages include an ammeter, oil pressure, oil temperature, cylinder head temperature, and fuel quantity for main and aux tanks. Also standard are a clock, a carburetor air temperature gage, and a digital outside air temperature gage. A collective-activated hourmeter is located right of the pilot's seat and may be used for recording time in service. (Older aircraft may have an hourmeter activated by engine oil pressure.)

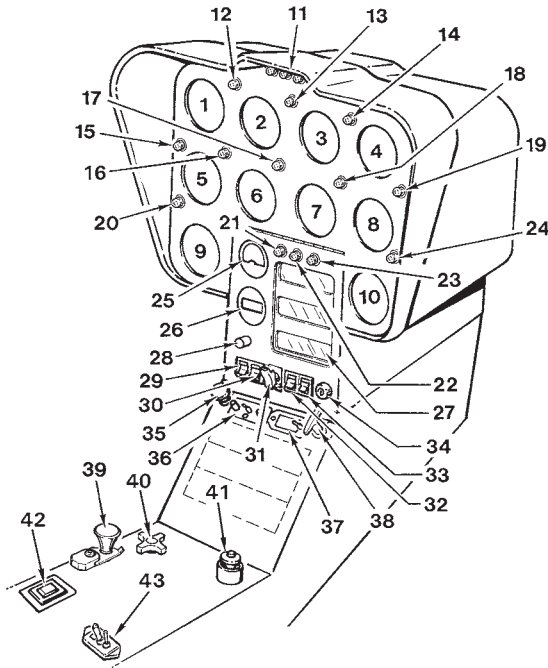
Views of typical instrument panels are given on the following pages. Additional views of panels with electronic flight displays are found in the Optional Avionics Supplement in Section 9. Pilots should familiarize themselves with panel layout and equipment installations for each specific aircraft that they fly.



- | | |
|-----------------------------|---------------------------------|
| 1. VERTICAL SPEED INDICATOR | 21. CLOCK |
| 2. OPTIONAL INSTRUMENT | 22. ENGINE INSTRUMENTS |
| 3. AIRSPEED INDICATOR | 23. PANEL LIGHTS DIMMER |
| 4. ENGINE AND ROTOR TACHS | 24. ROTOR BRAKE LIGHT |
| 5. ALTIMETER | 25. NAVIGATION LIGHTS SWITCH |
| 6. OPTIONAL INSTRUMENT | 26. STROBE LIGHT SWITCH |
| 7. MANIFOLD PRESSURE GAGE | 27. CLUTCH ACTUATOR SWITCH |
| 8. CLUTCH ACTUATOR LIGHT | 28. ALTERNATOR SWITCH |
| 9. M.R. GEARBOX TEMP LIGHT | 29. BATTERY SWITCH |
| 10. M.R. GEARBOX CHIP LIGHT | 30. IGNITION SWITCH |
| 11. CARBON MONOXIDE LIGHT | 31. CABIN HEAT |
| 12. STARTER-ON LIGHT | 32. INTERCOM |
| 13. T.R. GEARBOX CHIP LIGHT | 33. OUTSIDE AIR TEMP/VOLTMETER |
| 14. LOW FUEL LIGHT | 34. CABIN AIR |
| 15. LOW RPM LIGHT | 35. CARBURETOR HEAT |
| 16. ALT LOW VOLTAGE LIGHT | 36. CYCLIC FRICTION |
| 17. ENGINE FIRE LIGHT | 37. MIXTURE CONTROL |
| 18. OIL PRESSURE LIGHT | 38. ELT SWITCH (OPTIONAL) |
| 19. GOVERNOR-OFF LIGHT | 39. HEATED PITOT SWITCH (OPT'L) |
| 20. CARBURETOR AIR TEMP | |

INSTRUMENT PANEL – TYPICAL (EARLIER AIRCRAFT)

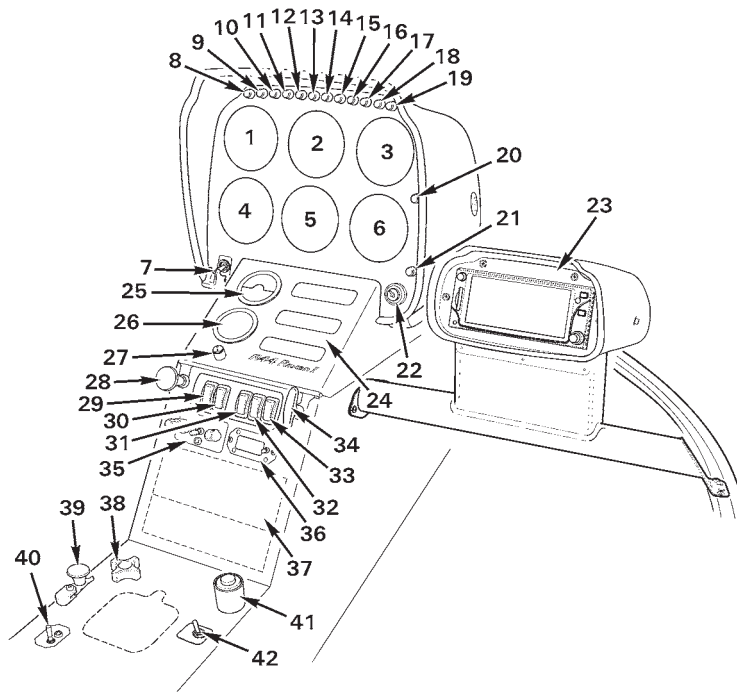
(Exact panel configuration may vary with optional equipment and date of helicopter manufacture.)



- | | |
|-----------------------------|--------------------------------|
| 1. ENGINE AND ROTOR TACHS | 23. OIL PRESSURE LIGHT |
| 2. AIRSPEED INDICATOR | 24. ROTOR BRAKE LIGHT |
| 3. ARTIFICIAL HORIZON | 25. CARBURETOR AIR TEMP |
| 4. ALTIMETER | 26. CLOCK |
| 5. MANIFOLD PRESSURE GAGE | 27. ENGINE INSTRUMENTS |
| 6. TURN COORDINATOR | 28. PANEL LIGHTS DIMMER |
| 7. HSI | 29. NAVIGATION LIGHTS SWITCH |
| 8. VERTICAL SPEED INDICATOR | 30. STROBE LIGHT SWITCH |
| 9. OPTIONAL INSTRUMENT | 31. CLUTCH ACTUATOR SWITCH |
| 10. OPTIONAL INSTRUMENT | 32. ALTERNATOR SWITCH |
| 11. MARKER BEACON | 33. BATTERY SWITCH |
| 12. M.R. GEARBOX TEMP LIGHT | 34. IGNITION SWITCH |
| 13. T.R. GEARBOX CHIP LIGHT | 35. CABIN HEAT |
| 14. M.R. GEARBOX CHIP LIGHT | 36. INTERCOM |
| 15. STARTER-ON LIGHT | 37. OUTSIDE AIR TEMP/VOLTMETER |
| 16. LOW RPM LIGHT | 38. CABIN AIR |
| 17. LOW FUEL LIGHT | 39. CARBURETOR HEAT |
| 18. CARBON MONOXIDE LIGHT | 40. CYCLIC FRICTION |
| 19. CLUTCH ACTUATOR LIGHT | 41. MIXTURE CONTROL |
| 20. GOVERNOR-OFF LIGHT | 42. ELT SWITCH (OPTIONAL) |
| 21. ALT LOW VOLTAGE LIGHT | 43. HSI SLAVE CONTROL |
| 22. ENGINE FIRE LIGHT | |

OPTIONAL INSTRUMENT PANEL (EARLIER AIRCRAFT)

(Exact panel configuration may vary with optional equipment and date of helicopter manufacture.)



- | | |
|-----------------------------|----------------------------------|
| 1. VERTICAL SPEED INDICATOR | 22. IGNITION SWITCH |
| 2. AIRSPEED INDICATOR | 23. PILOT'S SIDE CONSOLE (OPT'L) |
| 3. ENGINE AND ROTOR TACHS | 24. ENGINE INSTRUMENTS |
| 4. OPTIONAL INSTRUMENT | 25. CARBURETOR AIR TEMP |
| 5. ALTIMETER | 26. CLOCK |
| 6. MANIFOLD PRESSURE GAGE | 27. PANEL LIGHTS DIMMER |
| 7. CLUTCH ACTUATOR SWITCH | 28. CABIN HEAT |
| 8. CLUTCH ACTUATOR LIGHT | 29. NAVIGATION LIGHTS SWITCH |
| 9. M.R. GEARBOX TEMP LIGHT | 30. ANTI-COLLISION LIGHT SWITCH |
| 10. M.R. GEARBOX CHIP LIGHT | 31. AVIONICS MASTER SWITCH |
| 11. CARBON MONOXIDE LIGHT | 32. ALTERNATOR SWITCH |
| 12. STARTER-ON LIGHT | 33. BATTERY SWITCH |
| 13. T.R. GEARBOX CHIP LIGHT | 34. CABIN AIR |
| 14. LOW FUEL LIGHT | 35. INTERCOM |
| 15. LOW RPM LIGHT | 36. OUTSIDE AIR TEMP/VOLTMETER |
| 16. ALT LOW VOLTAGE LIGHT | 37. AVIONICS STACK |
| 17. ENGINE FIRE LIGHT | 38. CYCLIC FRICTION |
| 18. OIL PRESSURE LIGHT | 39. CARBURETOR HEAT |
| 19. GOVERNOR-OFF LIGHT | 40. ELT SWITCH (OPTIONAL) |
| 20. FULL THROTTLE LIGHT | 41. MIXTURE CONTROL |
| 21. ROTOR BRAKE LIGHT | 42. PITOT HEAT SWITCH (OPT'L) |

INSTRUMENT PANEL – TYPICAL (LATER AIRCRAFT)

(Exact panel configuration may vary with optional equipment and date of helicopter manufacture.)

AUDIO SYSTEM

A four-place intercom/audio system is standard and is controlled by a small control panel above the avionics stack. The ICS volume knob controls intercom volume but does not affect radio volume. The VOX squelch knob is used to set the threshold volume at which the intercom is activated. When the VOX knob is turned fully clockwise, keying is required to activate the intercom.

A toggle switch allows selection of PILOT ISO mode in which the pilot is connected only to the radio while the copilot and rear passengers remain connected to each other via the intercom. A music input jack is located on the aft seat console. This input is muted when the intercom is active, when transmitting, and during reception of radio signals.

Headset jacks are located in the ceiling near each seat. The cyclic grips are equipped with either transmit and intercom buttons or trigger-style intercom/transmit switches. For the trigger-style switch, the first detent activates the intercom and the second detent transmits. Additional intercom buttons are located inboard of the rear seats and on the left forward floor or seat support.

Audio control panels from several manufacturers are offered as options in place of the standard intercom system. Pilots should consult the manufacturer's operating instructions if an audio panel is installed.

OPTIONAL AVIONICS

A wide range of optional avionics are available for the R44. It is not practical to provide a description of all equipment in this manual. All aircraft are delivered with the manufacturers' operating manuals for each piece of installed equipment. Pilots are referred to the manufacturers' manuals for detailed operating instructions. Additional information for more complex options such as primary or multi-function displays (PFDs/MFDs) may be found in the Optional Avionics Supplement in Section 9. Good practice dictates becoming familiar with installed equipment before operating an aircraft.

PITOT-STATIC SYSTEM

The pitot-static system supplies air pressure to operate the airspeed indicator, altimeter, and vertical speed indicator. The pitot tube is located on the front edge of the mast fairing. The static sources are located on each side of the cabin aft of the rear doors.

Water can be drained from pitot-static lines by removing the plastic drain plugs which are accessible through the forward inspection panel on the underside of the cabin. Draining lines should be required only if the airspeed indicator or altimeter appears erratic.

Pitot and static sources should be inspected frequently to verify no bugs or other obstructions.

DUAL TACHOMETER

An electronic engine and rotor dual tachometer is standard. Engine tachometer signal is provided by magneto breaker points. Rotor tachometer signal is provided by two magnetic senders at the main gearbox drive yoke. Each tachometer is on a separate circuit with its own circuit breaker. With battery and alternator switches off, the tachometers continue to receive power from the battery through a bypass circuit as long as the clutch actuator switch is in the engage position.

NOTE

Do not stow helicopter with clutch switch engaged. The tachometers are powered with the clutch engaged and will discharge the battery.

WARNING AND CAUTION LIGHTS

Earlier aircraft have individual warning and caution lights as shown in the views under INSTRUMENT PANEL of this section. Later aircraft have an annunciator panel consisting of illuminated segments located at the top of the main instrument panel. A typical annunciator panel is shown below.



ANNUNCIATOR PANEL

The CHIP lights are illuminated by magnetic chip detectors in each gearbox which collect metallic particles in order to complete an electric circuit. The MR TEMP light is illuminated by a temperature switch located on the main gearbox near the input pinion.

The CLUTCH light indicates that the clutch actuator is operating. The ENGINE FIRE light is illuminated by a temperature switch located at the forward end of the horizontal firewall. The OIL light (ENGINE OIL segment) is activated by a pressure switch which is independent of the pressure sender. The ALT light warns of a possible alternator failure.

The LOW FUEL light is activated by a float switch in the main tank which is independent of the fuel quantity senders. The LOW RPM light and horn are activated by a sensor at the aft end of the main gearbox when driveline speed is below 97% RPM. The CARBON MONOXIDE light is activated by a sensor above the pilot's heater outlet. The GOV OFF light indicates the RPM governor is switched off. The STARTER ON light indicates the engine starter motor is engaged.

The FULL THROTTLE light is activated by a switch in the throttle linkage and indicates that the engine is near full throttle. The BRAKE light indicates that the rotor brake is engaged.

WARNING AND CAUTION LIGHTS (Cont'd)

Aircraft with annunciator panels include HYD and EMU segments. The HYD segment illuminates when the hydraulic system is switched off. The EMU (Engine Monitoring Unit) segment indicates EMU status and will illuminate only when the test button is depressed.

The annunciator panel includes a test button which should cause all segments on the panel, as well as the FULL THROTTLE and BRAKE lights, to illuminate when depressed. (Earlier aircraft have test buttons for certain lights on the horizontal firewall aft of the aux fuel tank.) The LOW FUEL segment takes approximately two seconds before it illuminates due to a time delay in the circuit (to prevent sloshing fuel from giving a false indication). If LOW FUEL illuminates immediately after the test button is depressed, a fault is indicated and should be investigated by a qualified mechanic. The EMU takes approximately ten seconds to perform a self test after the battery is switched ON before it will illuminate. The test button may be used on the ground or in flight to verify all circuits are functioning.

AUDIO ALERTS

All R44 helicopters have a low-RPM horn which sounds when rotor RPM is below 97%. The horn is muted when the collective is fully down. On earlier aircraft, the horn is provided by one or two speakers in the side of the instrument console. On later aircraft, a tone generator in the audio system provides the horn through crew headsets.

Later aircraft include a high rotor RPM alert through the headsets. A warble tone (high/low tone) indicates rotor RPM is approaching 108%. A test button on the instrument panel permits pre-flight or in-flight testing of the high-RPM alert.

Additional audio alerts may be provided in the headsets depending on optional equipment installed, such as terrain warnings, traffic warnings, and autopilot modes.

ENGINE MONITORING UNIT

Later aircraft are equipped with an Engine Monitoring Unit (EMU), which is a digital recording device within the engine RPM governor control box. The EMU continuously monitors engine and rotor speed, engine oil temperature, cylinder head temperature, manifold pressure, ambient pressure, and outside air temperature.

EMU status is indicated by the EMU segment on the annunciator panel. The EMU segment will only illuminate while the annunciator panel test button is depressed. The EMU requires approximately ten seconds to complete a self-test after the aircraft battery is switched on. Once the self test is complete, steady illumination of the annunciator means normal EMU operation. A slowly flashing indication (once every two seconds) or no illumination means there is a fault in the EMU's senders or circuitry. A fast flashing indication (four times per second) is given if the EMU has detected an exceedance. EMU data can be downloaded to a computer with the appropriate software. A fault or exceedance should be investigated and the indication reset by a qualified mechanic prior to the next flight. Current exceedances may be reviewed (but not reset) on an Apple mobile device using an application available through the Robinson website.

The EMU is intended to be used only as a maintenance aid. It remains the pilot's responsibility to report any observed exceedances.

CABIN HEATING AND VENTILATION

Fresh air vents are located in each door and in the nose. Door vents are opened and closed using the knob near the vent door hinge. A rotating knob is provided to lock vents closed. For maximum ventilation, open door vents wide during hover but only one inch or less during cruise. The rotating knob can be used to hold vents partially open.

The fresh air inlet in the nose is opened by pulling the vent handle on the console face. Rotating the vent handle clockwise will lock its position. Air from the nose inlet is directed along the inside surface of the windshield for defogging as well as for ventilation.

The cabin heater consists of a muffler heat shroud, a control valve at the firewall, outlets forward of the tail rotor pedals and in the rear footwells, and interconnecting ducting. A heater control knob located on the console face actuates the valve which directs heat either into the cabin or out an overboard discharge on the cabin underside.

CAUTION

In case of an in-flight engine fire, cabin heat should be turned off to seal cabin area from engine compartment.

SEATS, BELTS, AND BAGGAGE

The seats are not adjustable but, on later aircraft, the pilot-side pedals are adjustable. Each helicopter is supplied with a removable back cushion to position the pilot farther forward. This allows shorter pilots to reach the pedals, the cyclic grip in its most forward position, and controls on the center console.

Heated seat bottoms and backrests for the forward seats are an option. Switches to control low and high heat settings are located at the bottom of the avionics console. The seat heaters operate only when the alternator switch is in the ON position to reduce the likelihood of inadvertently draining the battery before the engine is started.

SEATS, BELTS, AND BAGGAGE (cont'd)

Each seat is equipped with a combined lap belt and inertia reel shoulder strap. The inertia reel is normally free but will lock if there is sudden movement as would occur in an accident.

Four- or five-point harnesses are optional for the front seats. The lap belts on these harnesses should be adjusted to eliminate slack. On five-point harnesses, the lower strap should be adjusted as necessary to ensure that the buckle does not interfere with the cyclic grip in the full aft position. Later harnesses are equipped with a webbing stop located above the inertia reel. The stop limits shoulder strap retraction and should be adjusted so the straps are comfortable without excessive slack.

Optional anchor loops located in the cabin ceiling above the door posts provide attachment points for a safety tether for equipment or occupants during doors-off operation.

A baggage compartment is located under each seat. Seat cushions hinge forward for access.

LANDING GEAR

A skid-type landing gear is used. Most hard landings will be absorbed elastically. However, in an extremely hard landing, the struts will hinge up and outward as the crosstube yields (becomes permanently bent) to absorb the impact. Slight crosstube yielding is acceptable. However, yielding which allows the tail skid to be within 30 inches of the ground when the helicopter is sitting empty on level pavement requires crosstube replacement.

The four landing gear struts are fitted with aerodynamic fairings to reduce air drag. The helicopter is approved to fly with or without the fairings installed.

Abrasion-resistant wear shoes are mounted on the bottom of the skids. These shoes should be inspected periodically, particularly if autorotation landings have been performed. Have skid shoes replaced whenever the thinnest point in the wear area is less than 0.05 inches (1.3 mm).

LANDING GEAR (cont'd)

Optional mirrors may be installed near the forward end of one or both landing gear skid tubes. Each mirror is mounted on a friction ball joint and may be adjusted to the desired angle.

ROTOR BRAKE

The rotor brake is mounted on the aft end of the main gearbox and is actuated by a cable connected to a pull handle located on the cabin ceiling. To stop the rotor, use the following procedure:

1. After pulling mixture off, wait at least 30 seconds.
2. Pull brake handle forward and down using moderate force (approximately 10 lb).
3. After rotor stops, it is recommended to use the rotor brake as a parking brake by hooking bead chain in slot in bracket.

The brake must be released before starting the engine. When the brake is engaged, the starter is disabled.

CAUTION

Applying rotor brake without waiting at least 30 seconds after engine stops or using a force which stops rotor in less than 20 seconds may damage brake shoes.

ENGINE PRIMER SYSTEM (OPTIONAL)

The primer is used to improve engine cold starting. The primer pump is normally mounted to the steel tube frame and is accessible through the lower right cowl door. Some early R44s have the pump mounted in the control tunnel and a knob just forward of the pilot's seat which actuates the pump via a push-pull cable. Engine priming is performed as follows:

1. Unlock pump handle and pump as required for priming (normally two to three strokes). Pull handle up slowly to allow time for fuel to fill pump.
2. After priming, push handle full down and lock.

CARBON MONOXIDE DETECTOR

The carbon monoxide (CO) detector indicates elevated cabin CO levels. CO is an odorless, toxic gas present in engine exhaust which causes headaches, drowsiness, and possible loss of consciousness. CO levels may become elevated due to an exhaust leak or exhaust recirculation during prolonged hovering.

The CO detector system consists of a sensor above the pilot's heater outlet and a caution light. A system check (light flashes twice) is performed each time power is switched on. A sensor malfunction is indicated by a continuing flash every four seconds.

If the caution light illuminates, shut off heater and open nose and door vents as required to ventilate the cabin. If hovering, land or transition to forward flight. If symptoms of CO poisoning (headache, drowsiness, dizziness) accompany caution light, land immediately. Have exhaust system inspected before next flight.

Many chemicals can damage the CO sensor. Avoid use of solvents, detergents, or aerosol sprays near the sensor. Temporarily tape off openings in top and bottom of sensor housing when cleaning cabin interior.

ADS-B EQUIPMENT

An Automatic Dependent Surveillance Broadcast (ADS-B) capable transponder is installed on later aircraft. The transponder transmits GPS position information to air traffic control to supplement radar/transponder information.

ADS-B "Out" capability is required for operation in certain airspace. ADS-B equipment installed at the factory meets the requirements of 14 CFR § 91.227. ADS-B Out operation is mostly automatic and requires little pilot action. Malfunctions will be annunciated on the transponder and/or GPS. Refer to transponder and GPS manufacturer's documentation for further details on ADS-B Out equipment operation.

NOTE

ADS-B Out equipment installed at the factory operates on frequency 1090 MHz. This frequency is also accepted for ADS-B Out equipment in most countries outside the United States.

NOTE

The ability to turn off ADS-B Out broadcasts is provided via transponder controls. However, ADS-B Out is required in certain airspace. ADS-B Out should not be selected off unless directed by air traffic control.

ADS-B equipment may also receive traffic information from other ADS-B equipped aircraft and (depending on specific equipment and country of operation) additional traffic and weather information from ground stations. ADS-B equipment that receives information is known as ADS-B "In", is not required by regulations, and is optional.

ADS-B In functionality requires a suitable display such as a moving map GPS or Multi-Function Display (MFD). ADS-B In equipment installed at the factory receives both approved US frequencies (978 MHz and 1090 MHz). Refer to avionics manufacturer's documentation for details on ADS-B In equipment operation.

EMERGENCY LOCATOR TRANSMITTER (OPTIONAL)

The Emergency Locator Transmitter (ELT) installation consists of a transmitter with internal battery pack, an external antenna, and a remote switch/annunciator. The transmitter is mounted to the upper steel tube frame and is accessible through the aft, upper cowl door. The remote switch/annunciator is located left of the cyclic stick.

The ELT is operated by a switch on the transmitter and a remote switch in the cockpit. The transmitter switch has been secured in the AUTO or ARM position at installation and should always be in this position for flight. The remote switch/annunciator is a three position switch with indicator light. This switch should also be in the AUTO or ARMED (middle) position for flight. With both switches set to AUTO/ARM, the ELT will begin transmitting when subjected to a high "G" load. When the unit is transmitting, the red indicator light illuminates.

Moving the remote switch to ON activates the transmitter. Use the ON position if an emergency landing is imminent and time permits.

If the ELT is inadvertently activated, use the RESET position of the remote switch to stop transmission and reset the unit. The red indicator will extinguish when unit is reset.

NOTE

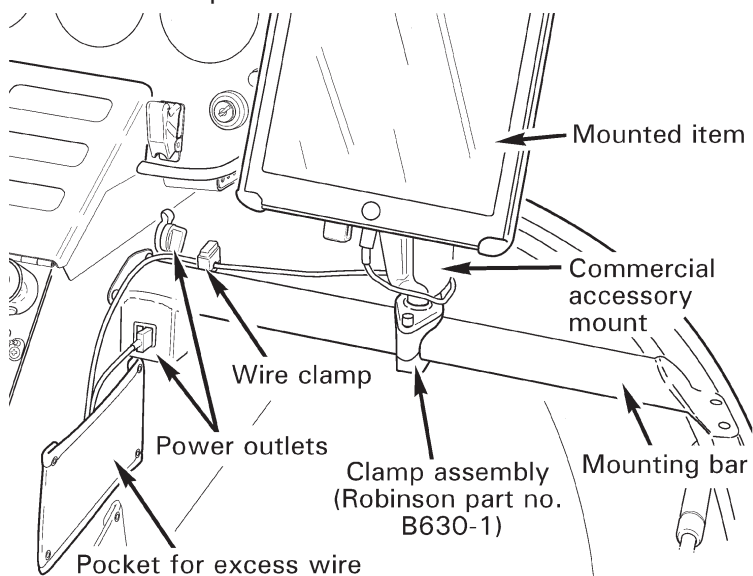
Earlier aircraft may have ELT installations without remote switch.

For more detailed instructions on ELT operation, maintenance, and required tests, refer to manufacturer's instructions supplied with the unit.

ACCESSORY MOUNTS (OPTIONAL)

Provisions for mounting small, portable items are an option. The provisions use mounting bars located forward of the pilot's seat, the copilot's seat, or both. The bars are fitted with one or more clamp assemblies which are compatible with a variety of commercially available accessory mounts. There is a 10 lb total weight limit for items attached to each bar. USB and cigarette-lighter-style power outlets are installed near the inboard end of the mounting bars. The power outlets are protected by the Aux Power circuit breaker and in-line fuses and are placarded with voltage/current ratings. Wire clamps and a pocket for securing excess wire are also provided.

The accessory mounts are intended to provide a safe means of mounting small items such as portable electronic devices. The mounting bar, clamp assembly, and power outlets are approved as part of the aircraft type design, but any items attached are the responsibility of the pilot in command under appropriate operating rules. Ensure that any items attached are secure and do not interfere with flight controls or primary field of view. Route any wires through the wire clamps or secure them to the bar with cable ties or tape.



COCKPIT CAMERA (OPTIONAL)

An optional video camera may be installed in the cabin ceiling. The camera records 4K video, intercom/comm audio, and GPS position both internally and to a removable flash drive inserted in the front of the camera housing. The internal memory retains only recent video and is not user accessible. Recording starts automatically when the helicopter battery is switched on and stops when it is switched off.

Recording to the flash drive can be stopped or audio muted using the record and audio switches on the front of the camera housing. Do not remove the flash drive while a recording is in progress as this will corrupt the video file. To remove a flash drive when the helicopter battery switch is on, first stop the recording using the record switch.

A blue flashing light on the camera housing indicates video is being recorded to the flash drive. A green steady light indicates the camera is powered and operating normally. The green light will change to an amber flashing light if an internal camera fault is detected, in which case video may not be recorded.

Video recorded on the flash drive can be viewed on a Windows PC or Mac computer. Video is recorded in sequential 4 GB files with each file approximately 25 minutes in length. Video files are labeled HELICAM_XXXX.MP4, where XXXX is a sequential number. GPS position and altitude are optionally displayed in the video and are also recorded separately to files labeled HELICAM_XXXX.GPX. A 128 GB flash drive (as supplied with helicopter) will record approximately 10 hours of video. When full, the earliest video file is overwritten with the last recording.

NOTE

Flash drives must meet the criteria described in the *Cockpit Camera User Guide* in order to function reliably.

COCKPIT CAMERA (OPTIONAL) (cont'd)

The *Cockpit Camera User Guide* is available on the Robinson website, www.robinsonheli.com, and includes additional information on camera operation, playback options, and troubleshooting.

CYCLIC GUARD (OPTIONAL)

The optional cyclic guard is a bar that extends from the inboard corner of the left front seat to the instrument console. It is intended to act as a barrier to help prevent inadvertent interference with the cyclic control. The guard also provides a hand grip for a passenger's right hand.

In order to access the under seat compartment with the guard installed, pull the silver spring knob at the forward end of the guard and allow the aft end to rotate down away from the seat hinge. To re-secure the guard, lift the aft end and allow the spring knob to lock back in place.

It is recommended that the guard be installed whenever a non-pilot passenger occupies the left front seat. A pilot flying from the left seat may find that the guard contacts the right leg when feet are on the pedals. The guard should be removed prior to flight if the pilot finds it objectionable.

**SECTION 8
HANDLING AND MAINTENANCE
CONTENTS**

	Page
General	8-1
Required Documents	8-2
Required Inspections	8-3
Preventive Maintenance by the Pilot	8-4
Alterations to Aircraft	8-5
Ground Handling	8-6
Parking	8-7
Cabin Doors	8-7
Engine Oil	8-8
Hydraulic Fluid	8-9
Gearbox Oil	8-10
Fuel	8-10
Fuel Bladders	8-11
Fire Extinguisher (Optional)	8-11
Battery	8-12
Cleaning Helicopter	8-13
Storage	8-15

INTENTIONALLY BLANK

SECTION 8

HANDLING AND MAINTENANCE

GENERAL

This section outlines procedures recommended for handling, servicing, and maintaining the R44 helicopter. Every owner should stay in close contact with a Robinson Service Center to obtain the latest service and maintenance information. Owners should also be registered with the factory to receive service bulletins, changes to this handbook, and other helpful information as it becomes available. These publications are available on RHC's website: www.robinsonheli.com

Federal Regulations place responsibility for maintenance of a helicopter on the owner and operator. The owner/operator must insure that all maintenance is performed by qualified mechanics and in accordance with the R44 Maintenance Manual (Instructions for Continued Airworthiness), Service Bulletins/Service Letters, and FAA Airworthiness Directives.

All limits, procedures, safety practices, time limits, servicing, and maintenance requirements contained in this handbook are considered mandatory.

Authorized Robinson Service Centers will have recommended modification, service, and operating procedures issued by the FAA and by Robinson Helicopter Company. This information will be useful in obtaining maximum utility and safety with the helicopter.

REQUIRED DOCUMENTS

The Airworthiness Certificate (FAA Form 8100-2) must be displayed in the aircraft at all times. The following additional documents must be carried in the aircraft:

1. Registration Certificate (FAA Form 8050-3)
2. Pilot's Operating Handbook
3. Current Weight and Balance

The following documents should not be carried in the aircraft, but must be available for use by any mechanic or pilot servicing the aircraft:

1. Aircraft Logbook
2. Engine Logbook

NOTE

Required documents may vary in countries other than the United States.

REQUIRED INSPECTIONS

Federal Regulations require most civil aircraft of U.S. registry to undergo a complete inspection every twelve months. This annual inspection must be signed off by a mechanic with Inspection Authorization (IA). In addition to the annual inspection, the R44 Maintenance Manual requires a complete inspection after every 100 hours of operation.

The R44 helicopter includes many unique features. Without special training, Airframe and Powerplant (A&P) mechanics are not qualified to perform the above inspections. Only appropriately rated personnel who have successfully completed a factory-approved maintenance course, or are under the direct supervision of such personnel, should perform maintenance, repairs, or inspections on the R44 helicopter.

The helicopter incorporates a number of fatigue life-limited components which must be retired at specified time intervals. A list of these components is contained in the Airworthiness Limitations section of the R44 Maintenance Manual and Instructions for Continued Airworthiness.

The factory occasionally publishes Service Bulletins and the Federal Aviation Administration (FAA) occasionally publishes Airworthiness Directives (ADs) that apply to specific groups of aircraft. They are mandatory changes or inspections which must be complied with within the time limit specified. Owners should periodically check with Robinson Service Centers to be sure that the latest Service Bulletins and ADs issued have been complied with.

PREVENTIVE MAINTENANCE BY THE PILOT

14 CFR Part 43 of the Federal Regulations allows a certificated pilot to perform preventive maintenance. Preventive maintenance is defined in the above regulations, and, as applied to the R44 helicopter, includes the following:

1. Replace defective safety wire or cotter pins.
2. Replace bulbs, reflectors, and lenses of position and landing lights.
3. Replace, clean, or gap spark plugs.
4. Clean or replace engine air filter.
5. Change engine oil and filter.
6. Inspect and clean chip detectors.
7. Change or replenish main and tail gearbox oil.
8. Replenish hydraulic fluid in reservoir.
9. Remove and replace gascolator bowl.
10. Remove or replace cowling or inspection panels.
11. Service or replace battery.
12. Replace wear shoes on landing gear skids.
13. Clean or refinish exterior of aircraft.

Although the above work is allowed by law, it should only be performed by pilots confident that they are qualified to reliably complete the work. All work must be done in accordance with the R44 Maintenance Manual.

After completing the work, when required, the pilot must enter the following in the appropriate logbook:

1. Date work accomplished.
2. Description of work.
3. Total hours on aircraft.
4. Pilot certificate number.
5. Signature of pilot.

ALTERATIONS TO AIRCRAFT

The compactness and many unique design features of the R44 helicopter make any modification inadvisable. Dynamic characteristics and susceptibility to fatigue of the rotor, drive, and control systems make any modification to these systems extremely hazardous.

Also hazardous is installation of any electronic equipment or avionics not factory-approved and supplied. The compactness of the console and tunnel containing the controls and wire bundles makes installation of any additional wires likely to interfere with free control movement. The electronic tachometers and governor may be affected by other electronic devices and their reliability and accuracy is essential for safe operation of the helicopter. Installation of unauthorized electrical devices can result in a hazardous condition.

Because of these potential hazards, Robinson Helicopter Company does not authorize any modification or alteration other than those which are factory-supplied and installed by factory-trained personnel.

GROUND HANDLING

For leveling, hoisting, or jacking, see appropriate sections of the maintenance manual.

The helicopter may be maneuvered on the ground using ground handling wheels. Recommended tire pressure is 60 psi (4 bar). Wheels must be removed for flight.

To attach wheels:

1. Hold handle and wheel with protruding spindle in its lowest position.
2. Insert spindle into support mounted on skid. Make sure spindle is all the way in.
3. Pull handle over center to raise helicopter and lock wheel in position.

CAUTION

When lowering helicopter, handle has a tendency to snap over.

Ground handling generally requires two people: one to hold the tail down and steer by holding the tail gearbox and a second to push on the fuselage. The steel tube frame inside the aft cowl door may be used as a hand hold for pushing. Keep feet clear of skid tubes. Alternately, a Robinson electric tow cart may be used per the instructions provided.

CAUTION

Do not move helicopter by gripping tail rotor guard, outboard part of horizontal stabilizer, tail rotor, or tail rotor controls.

PARKING

1. Place cyclic control in neutral position and apply friction. |
2. Put collective full down and apply friction.
3. Align rotor blades approximately fore and aft. Apply rotor brake. Use blade tie-downs in windy conditions.

CAUTION

If using rotor blade tie-downs, do not overtighten tie-down straps (5 lb max tension). Do not pull down on blades to teeter rotor. To lower a blade, push up on opposite blade.

4. During storm conditions, helicopter should be hangared or moved to a safe area.
5. If helicopter is hangared, turn fuel shutoff valve off.

CABIN DOORS

All four cabin doors may be removed and installed by maintenance personnel or pilots. To remove a door, disconnect door strut by lifting inboard end of strut while holding door in full open position, remove cotter rings in upper and lower hinge pins, and then lift door off. To install doors, use reverse procedure. Adjust weight and balance as required when removing or installing doors.

ENGINE OIL

Recommended maximum oil quantity is nine quarts and minimum quantity for takeoff is seven quarts as indicated on the oil dipstick.

The oil and filter should be changed at least every 50 hours or four months, whichever occurs first. If no oil filter is installed, change oil every 25 hours. Check alternator drive belt condition and tension and fan shaft bearing condition at each oil change.

To change oil:

1. Ground run or fly helicopter to obtain normal operating temperature.
2. Remove engine side cowls and open quick drain on bottom of sump to drain oil into suitable container.
3. Cut safety wire from oil suction-screen cap located on centerline at accessory (magneto) end of sump.
4. Remove, inspect, clean, and reinstall oil suction screen. Re-safety cap.
5. Cut safety wire (if installed) from oil filter and break loose using wrench or loosen pressure-screen housing bolts.
6. Place suitable container below and inboard of magneto to catch oil retained in filter or screen housing and remove filter or screen housing slowly to allow oil to drain into container. Do not allow oil to drain on magneto housing.
7. Cut filter open to inspect, or inspect and clean pressure screen.
8. Install new filter per instructions printed on filter. Use only Champion CH48108, CH48108-1, Tempest AA48108-2, or Robinson B123-1 or -2 filter with Robinson filter adapter or use Champion CH48103 or CH48103-1 filter with early-style filter installation. Safety wire is not required on filter. If no filter is installed, re-install pressure screen and housing. Torque pressure-screen housing bolts to 96 in.-lb.

ENGINE OIL (cont'd)

9. Close quick drain and fill sump with 9 quarts of appropriate grade oil as recommended below.
10. Start helicopter. Verify oil pressure within 30 seconds. Ground run for a few minutes, shut down, and verify no leaks.
11. Check oil level on dipstick.
12. Install cowlings.
13. Make appropriate maintenance record entries.

The following grades of oil are recommended:

Average Ambient Air Temperature	Mineral Grades MIL-L-6082 or SAEJ1966 (Use first 50 hours)	Ashless Dispersant Grades MIL-L-22851 or SAEJ1899 (Use after first 50 hours)
All Temperatures	—	SAE15W50 or SAE20W50
Above 60°F	SAE50	SAE40 or SAE50
30°F to 90°F	SAE40	SAE40
0°F to 70°F	SAE30	SAE30, SAE40, or SAE20W40
0°F to 90°F	SAE20W50	SAE20W50 or SAE15W50
Below 10°F	SAE20	SAE30 or SAE20W30

HYDRAULIC FLUID

Hydraulic fluid level is indicated by a sight gage in the reservoir. The sight gage can be viewed by opening the cowl door aft of the aux fuel tank. A filler/vent cap is located on top of the reservoir. If hydraulic fluid is not visible in reservoir sight gage with helicopter sitting level, remove filler/vent cap and add Robinson part number A257-15 fluid (MIL-PRF-5606) to center of sight gage. Torque filler/vent cap to 100 in.-lb.

NOTE

Sight gage reading will be higher with system hot.

GEARBOX OIL

Main and tail gearbox oil quantities are indicated by sight gages. The main gearbox sight gage is on the right side of the gearbox and can be viewed by opening the cowl door below the aux fuel tank. The tail gearbox sight gage is located at the aft end of the tail gearbox.

If oil is not visible in the sight gage with helicopter sitting level, oil must be added. The gearboxes use either Robinson P/N A257-2 or A257-22 oil. Refer to placard to ensure correct oil is being added.

To add oil to the tail gearbox:

1. Cut safety wire (if installed) and remove filler/vent cap located on top of gearbox.
2. Fill very slowly to center of sight gage. **DO NOT** overfill. (Less than a tablespoon of oil is usually required.)
3. Reinstall filler/vent cap. Be sure metal gasket or rubber o-ring is in place. Torque to 100 in.-lb.
4. Safety wire as before. (Safety wire not required if cap is sealed with an o-ring.) Be sure safety wire applies tension in direction which would tighten cap.

To add oil to the main gearbox, see maintenance manual.

FUEL

Approved fuel grades and capacity are given in Section 2.

A small quantity of fuel should be drained from the gascolator and from each tank using the quick drains prior to the first flight each day and after refueling. On later helicopters, a glass tube stowed inside the upper, aft cowl door is provided which may be used to catch the fuel samples. Drain enough fuel to remove any water or dirt and check for approved fuel color. If fuel contamination is suspected, continue to drain fuel from gascolator and tank drains until all contamination is eliminated.

FUEL BLADDERS

Fuel tanks are equipped with crash-resistant flexible bladders. The bladders are subject to deterioration, which may cause them to leak or seep fuel as they age. To prolong bladder life, fuel tanks should be topped off when the helicopter is stowed to keep the bladder material from drying out. Extreme heat and water adversely affect the material. Therefore, ensure the sumps are drained of water and use a hangar for stowage when possible.

FIRE EXTINGUISHER (OPTIONAL)

The optional fire extinguisher (model RT-A400) should be weighed monthly to verify it contains a sufficient charge of extinguishing agent. Results should be recorded on the decal affixed to the extinguisher or in other maintenance records. If weight falls below 500 grams, remove extinguisher from service.

The extinguisher is rated for a storage and operating temperature of 120°F (49°C). If operating conditions would expose extinguisher to higher temperatures (e.g. parking in the sun in a hot climate), remove extinguisher and store it in a cooler area between flights.

BATTERY

The battery is located in the engine compartment, under the left front seat, or beneath the instrument console. The battery is sealed and does not require fluid level checks.

A discharged battery is NOT AIRWORTHY because it will not have the reserve capacity to operate the electrical system should the charging system fail in flight.

Often, a 10 or 15 minute charge will improve battery condition enough to start the engine. If battery is located in the engine compartment, open left engine cowl access door and connect positive charger cable to positive (battery side) battery relay terminal. Then, connect negative charger cable to battery ground strap or engine. If battery is located beneath the instrument console, remove console hold down screws (one each side), lift console, remove battery box cover, and connect charger cables directly to battery posts (connect positive cable first). Use extreme caution not to short to console sheet metal. Later console installations are equipped with charging posts on the right side of the console. Charger cables may be connected directly to these posts without accessing the battery. If battery is located beneath the left front seat, open under-seat compartment, remove battery protective panel at forward end of compartment, and connect charger cables as described for engine compartment battery.

After charging, disconnect cables (disconnect negative cable first), secure access panels or console as required, and attempt a normal start. If battery still has insufficient charge to start engine, service or replace battery before further flight.

On helicopters with a 28-volt electrical system, the battery may be charged using the optional external power receptacle located inside the right engine-cowl door. Power connected to the receptacle will flow directly to the battery via the 20-amp charging circuit breaker (10 amp breaker on earlier helicopters) without the battery switch on. For larger charging currents, the battery switch must be on to allow current flow through the external power and battery relays.

CLEANING HELICOPTER

CLEANING EXTERIOR INCLUDING ROTOR BLADES

The helicopter should be washed with mild soap and water. Harsh abrasives, alkaline soaps, or detergents should not be used because they could scratch painted or plastic surfaces or could cause corrosion of metal. Cover areas where cleaning solution could cause damage. Use the following procedure:

1. Rinse away loose dirt and salt residue with water.
2. Apply cleaning solution with a soft cloth, sponge, or soft bristle brush.
3. To remove stubborn oil and grease, use a cloth dampened with aliphatic naphtha.
4. Rinse all surfaces thoroughly.
5. Apply carnauba wax to rotor blades and renew wax when water no longer beads on blade surface. Any good automotive wax may be used to preserve other painted surfaces. Soft cleaning cloths or a chamois should be used to prevent scratches when cleaning or polishing.

CAUTION

Never use high-pressure spray to clean helicopter. Never blow compressed air into main or tail rotor blade tip drain holes.

CLEANING WINDSHIELD AND WINDOWS

1. Remove dirt, mud, and other loose particles from exterior surfaces with clean water.
2. Wash with mild soap and warm water or with aircraft plastic cleaner. Use a soft cloth or sponge in a straight back and forth motion. Do not rub harshly.
3. Remove oil and grease with a cloth moistened with isopropyl alcohol (rubbing alcohol) or aliphatic naphtha.

CLEANING HELICOPTER (cont'd)

CLEANING WINDSHIELD AND WINDOWS (cont'd)

CAUTION

Do not use gasoline, other alcohols, benzene, carbon tetrachloride, thinner, acetone, or window (glass) cleaning sprays.

4. After cleaning plastic surfaces, apply a thin coat of hard polishing wax. Rub lightly with a soft cloth. Do not use a circular motion.

CAUTION

Windshield surface must be hydrophobic (water repellent) for good visibility in rain. When using a new cleaning or polishing product on windshield, verify water beads on surface before flying.

5. On acrylic windows (standard windshield), scratches can be removed by rubbing with jeweler's rouge followed by hand polishing with commercial plastic polish. Use a figure eight motion when polishing.

NOTE

Impact-resistant windshields are made from polycarbonate with a protective hardcoat and cannot be polished.

CLEANING UPHOLSTERY AND SEATS

1. Vacuum and brush, then wipe with damp cloth. Dry immediately.
2. Soiled upholstery, except leather, may be cleaned with a good upholstery cleaner suitable for the material. Follow manufacturer's instructions. Avoid soaking or harsh rubbing.

CLEANING HELICOPTER (cont'd)

CLEANING UPHOLSTERY AND SEATS (cont'd)

CAUTION

Avoid use of solvents, detergents, or aerosol sprays near CO sensor. Tape off openings in top and bottom of sensor housing when cleaning cabin interior.

3. Leather should be cleaned with saddle soap or a mild hard soap and water.

CLEANING CARPETS

Remove loose dirt with a whisk broom or vacuum. For soiled spots and stains, use nonflammable dry cleaning liquid.

STORAGE

The helicopter requires special preparation for long-term storage (greater than 30 days). Contact your maintenance provider to determine appropriate procedures prior to storage.

INTENTIONALLY BLANK

**SECTION 9
SUPPLEMENTS**

OPTIONAL EQUIPMENT SUPPLEMENTS

Information contained in the following supplements applies only when the related equipment is installed.

CONTENTS

	Page
Peak Beam Searchlight	9-4.1
Fixed Floats	9-5.1
Heated Pitot	9-6.1
Police Version	9-7.1
ENG Version	9-8.1
Garmin GPSMAP 225	9-9.1
Pop-Out Floats	9-10.1
HeliSAS Autopilot	9-13.1
Optional Avionics	9-14.1
Lithium-Ion Battery	9-15.1

NON-U.S. SUPPLEMENTS

The following supplements contain additional information required by certain countries:

- Brazilian Supplement
- Canadian Supplement
- EASA Supplement
- FATA Supplement (Russia)
- IAC AR Supplement
- Indian Supplement
- Ukrainian Supplement

INTENTIONALLY BLANK

FAA APPROVED
R44 PILOT'S OPERATING HANDBOOK

SUPPLEMENT 4
PEAK BEAM SEARCHLIGHT

This supplement must be included in the FAA-Approved Robinson R44 Pilot's Operating Handbook when the Peak Beam Searchlight is installed.

The information contained herein supplements or supersedes the basic manual only in those areas listed in this supplement. For limitations, procedures, and performance information not contained in this supplement, consult the basic R44 Pilot's Operating Handbook.

APPROVED BY: *Donald Armstrong*
Manager, Flight Test Branch, ANM-160L
Federal Aviation Administration, LAACO
Transport Airplane Directorate

DATE: 12-13-95

LOG OF REVISIONS			
Page No.	Date	Page No.	Date
9-4.1	11 Jul 97	9-4.3	11 Jul 97
9-4.2	11 Jul 97	9-4.4	11 Jul 97

REVISIONS
APPROVED BY: *Donald Armstrong*
Manager, Flight Test Branch, ANM-160L
Federal Aviation Administration, LAACO
Transport Airplane Directorate

DATE: 7-11-97

SECTION 1: GENERAL No change.

SECTION 2: LIMITATIONS

FLIGHT AND MANEUVER LIMITATIONS

If removable controls are installed with searchlight, the A755-14 extended LH pedal must be installed in place of the A755-3 pedal.

SECTION 3: EMERGENCY PROCEDURES No change.

SECTION 4: NORMAL PROCEDURES

DAILY OR PREFLIGHT CHECKS

Add to item 11, Fuselage Left Side:

Searchlight Secure

SECTION 5: PERFORMANCE

NOISE CHARACTERISTICS

These modifications have been determined to not be an "acoustical change."

SECTION 6: WEIGHT AND BALANCE No change.

SECTION 7: SYSTEMS DESCRIPTION

SEARCHLIGHT INSTALLATION

The searchlight installation consists of two lamps suspended below the cabin chin on a post which extends through the left hand side of the chin and cabin floor. The searchlight is controlled by means of a grip and switches mounted on the post. Power is supplied to the searchlight through its own 20 amp circuit breaker and power relay. The searchlight will operate only when the landing lights are off. A friction control for horizontal beam movement is located on the post just above the floor, and later models include a friction control for vertical beam movement located at the top of the post. An extended left foot pedal is provided which allows the co-pilot's foot to clear the searchlight post.

The lights are manufactured by Peak Beam Systems and use xenon arc lamps controlled by four momentary toggle switches on the grip. These switches control on-off, strobe (rapidly flashing) mode, and beam spread from 1° spot to 40° flood.

CAUTION

When operating the searchlight with left seat cyclic grip installed, caution should be exercised to prevent interference with the cyclic control.

SECTION 8: HANDLING AND MAINTENANCE

SEARCHLIGHT INSTALLATION

To remove the searchlight from the helicopter, use the following procedure:

1. Loosen but do not remove two 1/4 in. diameter bolts (or the cam-action lever if so equipped) in clamp on bottom end of post.
2. Remove clevis pin connecting lower end of tube through center of post to arms between lamps.
3. Disconnect wires from lamps at connectors and wire ties on lamp housings.
4. Pull ring on spring-loaded pin in post clamp and slide clamp with lamps off post.
5. Remove four screws (or lift and turn two spring loaded fasteners if so equipped) holding post flange to cabin floor. Pull post up a few inches and disconnect wires at post connector. Before releasing, O-ring around connector must be moved clear of retaining hooks. Pull post up and out of floor.
6. Cover connector under floor with tape and install provided sheet metal cover over hole in floor.

Installation is the reverse except:

1. Be sure to position O-ring under retaining hooks on post wire connector.
2. Letters "FWD" on post flange must face forward.
3. Be sure spring loaded pin in post clamp pops into place. Torque 1/4 in. diameter bolts to 90 in.-lb (or secure cam-action lever if so equipped).
4. Check for freedom of movement through complete travel.

**FAA APPROVED
R44 PILOT'S OPERATING HANDBOOK**

FIXED FLOATS SUPPLEMENT

This supplement must be included in the FAA-approved Pilot's Operating Handbook when fixed-float landing gear is installed.

The information contained herein supplements or supersedes the basic manual only in those areas listed in this supplement. For limitations, procedures, and performance information not contained in this supplement, consult the basic Pilot's Operating Handbook.

APPROVED BY: 
Manager, Flight Test Branch, ANM-160L
Federal Aviation Administration, LAACO
Transport Airplane Directorate

DATE: 2-17-96

LOG OF REVISIONS

Page No.	Date	Page No.	Date
9-5.1	17 Dec 19	9-5.8	17 Dec 19
9-5.2	17 Dec 19	9-5.9	17 Dec 19
9-5.3	17 Dec 19	9-5.10	20 Apr 07
9-5.4	20 Apr 07	9-5.11	17 Dec 19
9-5.5	17 Dec 19	9-5.12	20 Apr 07
9-5.6	17 Dec 19	9-5.13	20 Apr 07
9-5.7	20 Apr 07		

REVISIONS
APPROVED BY: Nevada Jo Ryan Digitally signed by Nevada Jo Ryan
Date: 2019.12.17 10:41:55 -08'00'
Manager, West Flight Test Section, AIR-716
Federal Aviation Administration
Los Angeles, CA

DATE: 17 DEC 2019

SECTION 1: GENERAL

INTRODUCTION

This supplement contains the changes and additional data applicable when fixed-float landing gear is installed.

Float landing gear is intended for safety during over-water flights. Intentional (non-emergency) water landings for other than training purposes are not recommended.

NOTE

The float landing gear is approved for amphibious operation but is not certified for ditching. Some countries may prohibit certain over-water operations.

SECTION 2: LIMITATIONS

AIRSPEED LIMITATIONS

NEVER EXCEED AIRSPEED (V_{ne}) WITH FLOATS

2200 lb TOGW & below	120 KIAS
Over 2200 lb TOGW	110 KIAS
Autorotation	100 KIAS

For V_{ne} reductions with altitude and temperature, see placards on page 9-5.3.

SECTION 2: LIMITATIONS (cont'd)

PLACARDS

In clear view and readable by the pilot in flight:

NEVER EXCEED SPEED - KIAS
WITH FLOATS

2200 LB TOGW & BELOW									
PRESS	OAT - °C								
ALT-FT	-30	-20	-10	0	10	20	30	40	
SL									
2000		120					117	113	
4000					116	112	108	104	
6000			116	112	107	103	98	93	
8000	116	112	107	102	97	91	86	81	
10000	107	102	96	91	85	80	75		
12000	97	91	85	79	NO FLIGHT				
14000	85	79	NO FLIGHT						
OVER 2200 LB TOGW, SUBTRACT 10 KIAS FOR AUTOROTATION, SUBTRACT 20 KIAS									

NEVER EXCEED SPEED - KIAS
WITHOUT FLOATS

2200 LB TOGW & BELOW									
PRESS	OAT - °C								
ALT-FT	-30	-20	-10	0	10	20	30	40	
SL									
2000		130					127	123	
4000					126	122	118	114	
6000			126	122	117	113	108	103	
8000	126	122	117	112	107	101	96	91	
10000	117	112	106	101	95	90	85		
12000	107	101	95	89	NO FLIGHT				
14000	95	89	NO FLIGHT						
OVER 2200 LB TOGW, SUBTRACT 10 KIAS FOR AUTOROTATION, SUBTRACT 30 KIAS									

Note: Earlier placards do not include airspeed limits at -30°C.

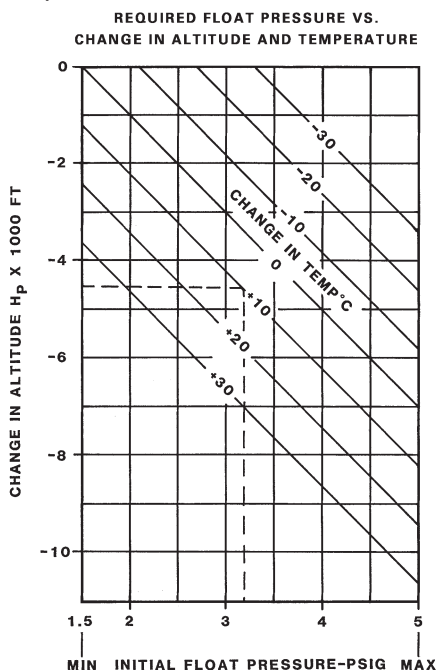
SECTION 2: LIMITATIONS (cont'd)

FLOAT PRESSURE LIMITS

Minimum Float Pressure: 1.5 psig (psi gage)

Maximum Float Pressure: 5 psig

A decrease in altitude or temperature reduces float pressure. If decrease in altitude or temperature is anticipated, inflate floats per chart below to ensure 1.5 psig minimum at landing. Pressure relief valves will limit pressure for an increase in altitude or temperature.



CAUTION

Failure to maintain adequate pressure can result in loss of buoyancy or in-flight instability.

EXAMPLE:

Conditions at destination:
Initial conditions:
Subtract to obtain change
in altitude and temp:

Pressure	Altitude	Temp
1000 ft	5500 ft	15°C
5500 ft		5°C
-4500 ft		+10°C

Using graph, locate -4500 ft line, read across to +10°C line, then down for minimum initial float pressure required, approximately 3.2 psig.

SECTION 3: EMERGENCY PROCEDURES

POWER FAILURE – GENERAL

CAUTION

Lowering collective rapidly or applying excessive forward cyclic while helicopter is moving forward on water can cause floats to submerge and helicopter to nose over.

POWER FAILURE ABOVE 500 FEET AGL

Autorotation to Land: Same as in basic manual.

Autorotation to Water:

1. Lower collective immediately to maintain rotor RPM.
2. Establish steady glide at approximately 70 KIAS.
3. Adjust collective to keep RPM between 97 and 108% or apply full down collective if light weight prevents attaining above 97%.
4. If altitude permits, maneuver into wind.
5. At about 40 feet AGL, begin cyclic flare.
6. At about 8 feet AGL, apply forward cyclic and raise collective just before touchdown. Touch down in slight nose high attitude with nose straight ahead.
7. Maintain cyclic in touchdown position and do not lower collective full down until forward motion has stopped.

SECTION 3: EMERGENCY PROCEDURES (cont'd)

POWER FAILURE BETWEEN 8 FEET AND 500 FEET AGL

Autorotation to Land: Same as in basic manual.

Autorotation to Water:

1. Lower collective immediately to maintain rotor RPM.
2. Adjust collective to keep RPM between 97 and 108% or apply full down collective if light weight prevents attaining above 97%.
3. If altitude permits, maneuver into wind.
4. Maintain airspeed until water is approached, then begin cyclic flare.
5. At about 8 feet AGL, apply forward cyclic and raise collective just before touchdown. Touch down in slight nose high attitude with nose straight ahead.
6. Maintain cyclic in touchdown position and do not lower collective full down until forward motion has stopped.

MAXIMUM GLIDE DISTANCE CONFIGURATION

Same as without floats, except airspeed approximately 80 KIAS.

EMERGENCY WATER LANDING – POWER OFF

See procedures for power failures.

EMERGENCY WATER LANDING – POWER ON

Make normal approach and landing to water.

SECTION 4: NORMAL PROCEDURES

DAILY OR PREFLIGHT CHECKS

15. Inflatable Floats

Float Pressure Check (See Section 2)

Float Condition Check

CAUTION

Helicopters equipped with inflated floats have an adverse roll characteristic. When sideslipping nose left or right, helicopter will tend to roll in opposite direction and could cause loss of control. To avoid adverse roll, keep helicopter trimmed with zero sideslip. Exercise extreme caution when performing simulated power failures.

CAUTION

Avoid night flight over water beyond autorotation distance to land. Height above water may be difficult to judge during a water landing.

SECTION 4: NORMAL PROCEDURES (cont'd)

OPERATION ON WATER

Safe operation on water has been demonstrated in waves up to 1 foot (0.3 m) (trough to crest). Maximum recommended water taxi speed is 5 knots. Some application of collective is required.

Since the helicopter sits very low on water, it is likely that water will leak into the cabin. Water landings should be limited to emergencies and training. For training, seal the removable belly panels and landing gear cross tube cover using aluminum foil tape or duct tape. Avoid salt water if possible.

There may be limited tail rotor clearance to water, particularly at aft CG. Also, even small waves may cause enough rocking to dip the tail rotor in the water. If tail rotor contact with water is suspected, have tail rotor inspected prior to further flight. (If no noticeable change in vibration occurs after suspected water contact, helicopter may be repositioned to nearest convenient inspection site.)

CAUTION

If starting or stopping rotor on water, ensure area is clear as helicopter can rotate one or more complete turns while tail rotor RPM is low.

SECTION 4: NORMAL PROCEDURES (cont'd)

PRACTICE AUTOROTATION – WITH GROUND CONTACT

Same as in basic manual. Autorotations should only be performed to a smooth, hard surface to avoid damage to floats.

PRACTICE AUTOROTATION TO WATER

Same as practice autorotation with ground contact in basic manual except touch down in slight nose high attitude with nose straight ahead. Maintain cyclic in touchdown position and do not lower collective full down until forward motion has stopped.

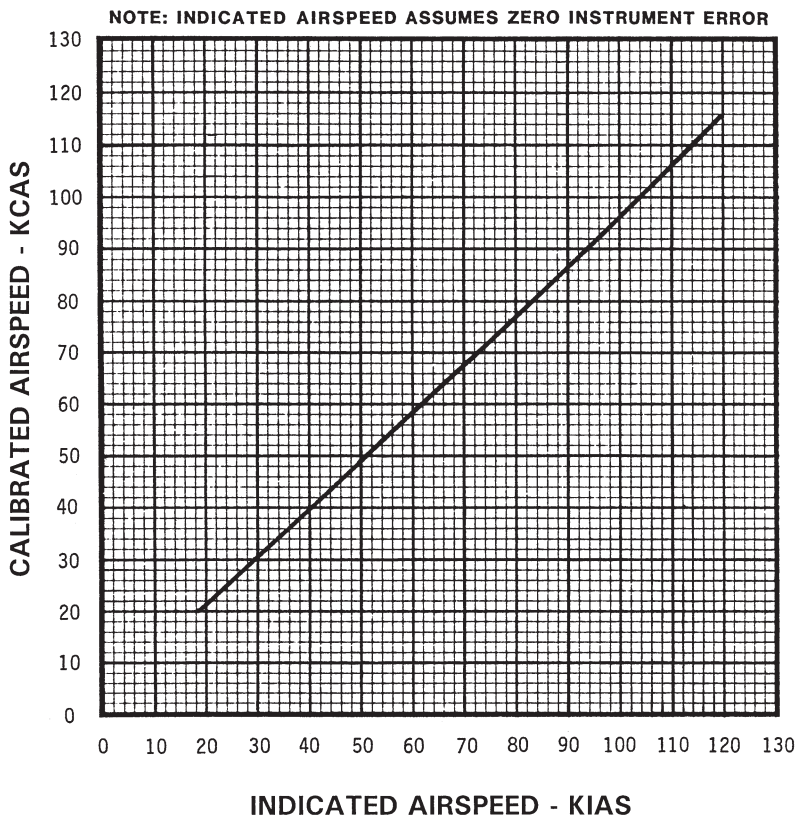
CAUTION

Lowering collective rapidly or applying excessive forward cyclic while helicopter is moving forward on water can cause floats to submerge and helicopter to nose over.

CAUTION

There may be limited tail rotor clearance to water, particularly at aft CG. Applying excessive aft cyclic may cause tail rotor to contact water.

SECTION 5: PERFORMANCE



AIRSPEED CALIBRATION CURVE

R44 WITH FIXED FLOAT LANDING GEAR

SECTION 6: WEIGHT AND BALANCE

CAUTION

When changing between float and non-float configurations, weight and balance must be revised and autorotation RPM readjusted per R44 Maintenance Manual.

WEIGHT AND BALANCE RECORD

Basic empty weight and CG in float and non-float configurations is included in the Weight and Balance Summary provided with the helicopter. Modifications are to be recorded in the Weight and Balance Record.

SECTION 7: SYSTEMS DESCRIPTION

The fixed-float landing gear installation includes inflated floats, additional airframe sealing and corrosion protection, additional forward position lights in the mast fairing, longer landing gear struts, and an additional stabilizer installed at the base of the lower vertical stabilizer. Standard landing gear may be installed in place of the float landing gear per maintenance manual instructions.

SECTION 8: HANDLING AND MAINTENANCE

GROUND HANDLING

With floats installed, special ground handling wheels are required. Refer to R44 Maintenance Manual for wheel installation and removal procedures.

FLOAT TUBES

To promote long float tube life:

1. Do not inflate floats to higher pressure than required by limitations section. Do not arbitrarily inflate floats to relief valve pressure.
2. Reduce pressure in floats if solar heating is causing excessive pressure buildup.
3. Do not allow floats to sit uninflated. Maintain some pressure to keep shape when not in use.

CAUTION

When inflating chambers individually (without a manifold), increase pressure in each chamber in increments no greater than 0.5 psig.

SECTION 10: SAFETY TIPS

Flight characteristics and handling qualities with inflated floats are more critical than with conventional landing gear. Helicopters with floats installed have an adverse roll characteristic. When sideslipping nose right or left, the helicopter will tend to roll in the opposite direction out of the turn. This could be extremely dangerous if a pilot failed to apply right pedal or put in the wrong pedal during a simulated power failure. Also, aerodynamic lift produced by floats makes both RPM and pitch control more difficult during autorotation entries. Helicopters with floats installed are also more gust sensitive and difficult to fly in turbulence.

For these reasons, it is strongly recommended that floats be removed and standard gear installed for primary flight instruction. With floats installed, pilots must keep the helicopter trimmed with zero sideslip and exercise extreme caution when performing simulated power failures.

INTENTIONALLY BLANK

FAA APPROVED
R44 PILOT'S OPERATING HANDBOOK

HEATED PITOT SUPPLEMENT

This supplement must be included in the FAA-approved Pilot's Operating Handbook when the heated pitot is installed.

Information contained herein supplements or supersedes the basic manual only in those areas listed in this supplement. For limitations, procedures, and performance information not contained in this supplement, consult the basic Pilot's Operating Handbook.

APPROVED BY: Sam Becker, Acting
Manager, Flight Test Branch, ANM-160L
Federal Aviation Administration, LAACO
Transport Airplane Directorate

DATE: Sept 27, 1996

LOG OF REVISIONS

Page No.	Date	Page No.	Date
9-6.1	20 Apr 07	9-6.3	20 Apr 07
9-6.2	20 Apr 07	9-6.4	20 Apr 07

REVISIONS
APPROVED BY: Hieu Tong, Acting
Manager, Flight Test Branch, ANM-160L
Federal Aviation Administration, LAACO
Transport Airplane Directorate

DATE: 4/20/2007

SECTION 1: GENERAL

INTRODUCTION

This supplement contains the changes and additional data applicable when the heated pitot is installed.

SECTIONS 2 and 3 No change.

SECTION 4: NORMAL PROCEDURES

USE OF PITOT HEAT

When conditions conducive to pitot ice exist, switch pitot heat on until landing or until no longer in potential icing conditions.

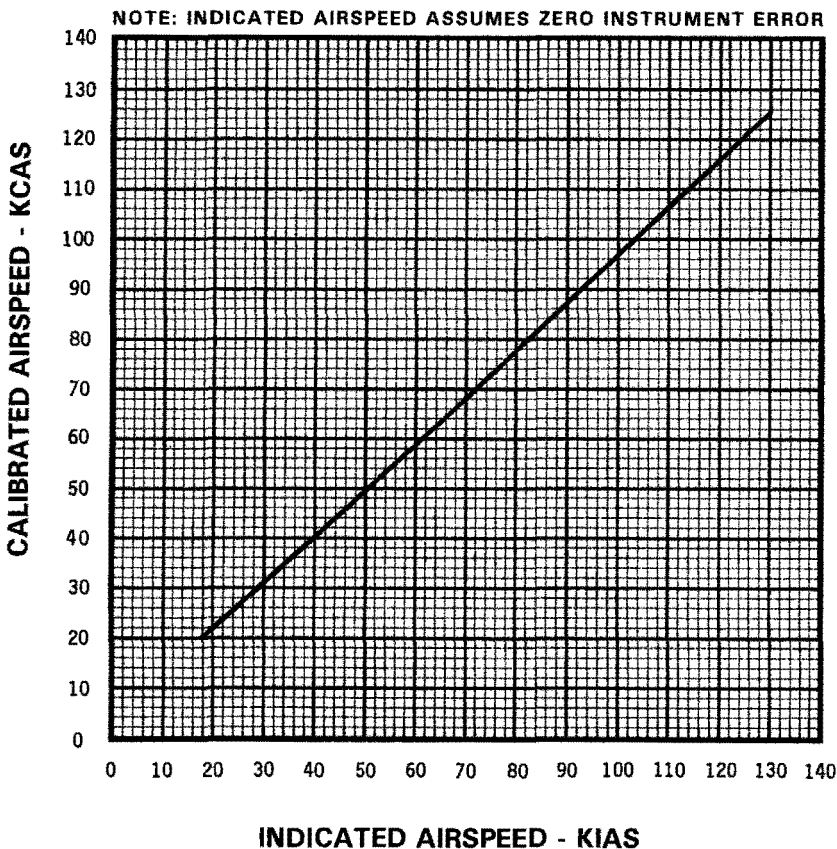
NOTE

The R44 is not certified for flight into known or suspected icing conditions.

NOTE

Continued use of pitot heat following an engine or alternator failure will significantly increase battery drain.

SECTION 5: PERFORMANCE



AIRSPEED CALIBRATION CURVE

HEATED PITOT INSTALLATION
VALID WITH PITOT HEAT ON OR OFF

SECTION 6: WEIGHT AND BALANCE

No change.

SECTION 7: SYSTEMS DESCRIPTION

HEATED PITOT INSTALLATION

The heated pitot tube is installed in the mast fairing, replacing the standard pitot tube. Pitot heat is controlled by a toggle switch located to the right of the cyclic. Power is supplied to the heated pitot through its own 10-amp circuit breaker.

SECTION 8: HANDLING AND MAINTENANCE

CAUTION

Pitot tube becomes extremely hot with pitot heat switched on. Touching pitot tube after it has been on for more than 30 seconds can result in severe burns.


FAA APPROVED
R44 PILOT'S OPERATING HANDBOOK

SUPPLEMENT 7
POLICE VERSION

This supplement must be included in the FAA-Approved Robinson R44 Pilot's Operating Handbook when the helicopter is configured with optional police equipment.

The information contained herein supplements or supersedes the basic manual only in those areas listed in this supplement. For limitations, procedures, and performance information not contained in this supplement, consult the basic R44 Pilot's Operating Handbook.

APPROVED BY:


Manager, Flight Test Branch, ANM-160L
Federal Aviation Administration, LAACO
Transport Airplane Directorate

DATE:

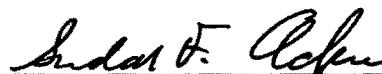
7-11-97

LOG OF REVISIONS

Page No.	Date	Page No.	Date
9-7.1	26 Aug 02	9-7.5	30 Nov 98
9-7.2	14 Sep 99	9-7.6	26 Aug 02
9-7.3	14 Sep 99	9-7.7	26 Aug 02
9-7.4	30 Nov 98	9-7.8	26 Aug 02

REVISIONS

APPROVED BY:


Acting Manager, Flight Test Branch, ANM-160L
Federal Aviation Administration, LAACO
Transport Airplane Directorate

DATE:

August 26, 2002

SECTION 1: GENERAL

INTRODUCTION

This supplement contains the changes and additional data applicable when the R44 helicopter is equipped with Police Version options.

The Police Version is equipped with a 28-volt electrical system. Additional equipment may include a nose-mounted gyro-stabilized infrared camera with flat-screen LCD monitor, a belly-mounted searchlight, FM transceivers, a video tape recorder, a PA/siren, Lojack equipment, a microwave transmitter, and forward cabin doors with bubble windows. A modified left-side cyclic control allows flight from the left seat with the LCD monitor installed. Extended landing gear provides additional ground clearance for the searchlight. The battery is relocated to the tailcone to balance the weight of the infrared camera.

SECTION 2: LIMITATIONS

PLACARDS

Located on cover replacing right rear seat:

DO NOT OCCUPY

Located in right rear baggage compartment:

NO STOWAGE

SECTION 3: EMERGENCY PROCEDURES

POWER FAILURE ABOVE 500 FEET AGL

If time permits, retract omni antenna.

SECTION 4: NORMAL PROCEDURES

DAILY OR PREFLIGHT CHECKS

Add to item 4, Aft Cowl Door - Right Side:
Battery Relay Secure

Add to item 8, Tailcone:
Battery Secure

Delete from item 9, Cowl Door - Left Side:
Battery and Relay Secure

Add to item 11, Fuselage Left Side:
Siren Secure

Add to item 12, Nose Section:
Camera and Fairing Secure

Add to item 13, Fuselage Right Side:
Searchlight Secure
Omni Antenna Secure

NOTE

Stow searchlight horizontally when not in use to minimize chance of damage during a hard landing.

APPROACH AND LANDING

Retract omni antenna.

SECTION 5: PERFORMANCE No change.

SECTION 6: WEIGHT AND BALANCE

CAUTION

Removal of nose-mounted camera causes a large shift in CG of empty helicopter. Calculate weight and balance prior to flight with camera removed to assure aft CG limit is not exceeded.

SECTION 7: SYSTEMS DESCRIPTION

The following optional equipment may be installed:

AIRFRAME

The R44 is a three-place helicopter when police equipment is installed.

Forward cabin doors with bubble windows to enhance downward visibility replace the standard doors.

FLIGHT CONTROLS

The cyclic control has been modified to prevent interference with the LCD monitor. The left-side removable grip has been replaced with a grip on the center post.

ELECTRICAL SYSTEM

A 28-volt electrical system replaces the standard 14-volt system. The battery has been relocated to a battery box beneath the tailcone to balance the weight of the nose-mounted camera.

An additional circuit breaker panel on the ledge just forward of the pilot's seat contains all circuit breakers for police equipment. The outboard section of the aft row of circuit breakers is a 14-volt bus. A 28- to 14-volt converter located in the compartment under the left rear seat powers the 14-volt bus. The police equipment master switch on the left side of the panel controls power to all police equipment.

Wiring for police equipment is in a separate harness on the right-hand keel panel outside of the control tunnel.

SECTION 7: SYSTEMS DESCRIPTION (cont'd)

INTERCOM SYSTEM

The intercom system is controlled via the audio control panel in the avionics stack. The intercom and transmit switches for the left front seat have been relocated to the floor near the observer's right heel.

SEATS, BELTS, AND BAGGAGE

The right rear seat has been replaced with a cover and cannot be occupied. Baggage is not permitted in the right rear baggage compartment due to electronic equipment and wiring in that compartment.

EXTENDED LANDING GEAR

Extended landing gear struts provide additional ground clearance for the searchlight.

INFRARED CAMERA SYSTEM

The infrared camera system consists of a gyro-stabilized, gimbal-mounted infrared/video camera in the chin, and a power junction box in the compartment beneath the right rear seat. A fairing between the camera ball and chin minimizes the aerodynamic effects of the camera. The camera is operated by the observer in the left front seat via a handheld controller.

A flat screen LCD monitor is located in front of the left front seat to display camera images. The monitor is equipped with a visor to minimize glare from the sun during daylight operation and shield the pilot from the monitor at night. The monitor mount is hinged to retract forward and down, out of the observer's way, when not in use.

SECTION 7: SYSTEMS DESCRIPTION (cont'd)

VIDEO TAPE RECORDER

The video tape recorder (VTR) is mounted either on the control tunnel cover between the rear seats or on the monitor support structure and is used to record camera images. The VTR is operated from the left front seat. A remote control mounted on the left side of the monitor visor is provided with the rear-seat VTR.

For the forward-mounted VTR, a toggle switch determines video signal routing. In the REC position, camera images can be recorded by the VTR. In the PLAY position, images being played back on the VTR can be viewed on the monitor.

SEARCHLIGHT INSTALLATION

The searchlight is installed on a motorized gimbal under the belly. The searchlight power junction box is located in the compartment beneath the right rear seat. The searchlight is steerable in azimuth and elevation and is operated from the left front seat via a remote controller. An optional slaving system allows the searchlight to be slaved to follow the camera. The searchlight should be stowed horizontally when not in use to minimize chance of damage during a hard landing.

CAUTION

The searchlight is very bright and can disorient other pilots or ground personnel at long distances.

CAUTION

The searchlight beam is very hot. Exposure to the beam at close range for more than a few seconds can result in burns.

SECTION 7: SYSTEMS DESCRIPTION (cont'd)

PA/SIREN SYSTEM

A 100-watt speaker is located on the aft left landing gear strut. The PA system control panel is located on the instrument panel and allows the pilot or observer to select PA, radio, yelp, or siren for broadcast through the speaker.

FM TRANSCEIVERS

Four brands of FM transceiver are available on the Police Version: NAT, BK Radio, Motorola, and Technisonic.

NAT and Motorola FM transceivers are mounted in the compartment beneath the right rear seat. A control head located beneath the monitor is used to control tuning and individual radio functions.

BK Radio and Technisonic dual-band FM transceivers are mounted beneath the monitor and incorporate controls on their faceplates.

The FM transceivers are selectable from the audio control panel in the avionics stack.

INTERIOR LIGHT

An additional observer-side interior light is operated via a momentary foot switch on the left-hand forward floor. Power is supplied to the interior light via the "GAGES" breaker in the left hand circuit breaker panel and is not disconnected by the police equipment master switch.

LOJACK

The Lojack installation consists of a receiver in the compartment beneath the right rear seat, a display and control unit on the right side of the instrument console, and four belly-mounted stub antennas. Lojack is used to track stolen vehicles equipped with Lojack transmitters.

SECTION 7: SYSTEMS DESCRIPTION (cont'd)

MICROWAVE SYSTEM

The microwave transmitting system consists of the microwave transmitter beneath the right rear seat, a retractable omnidirectional microwave antenna on the right skid tube, and an optional belly-mounted downlook antenna. If both antennas are installed, a switch forward of the right rear equipment compartment selects which antenna is active. The transmitter is operated via a controller in the rear-center console. The skid-mounted antenna is stowed parallel to the skid tube and rotated down to the vertical position for transmitting. It is actuated by an electric motor with the control switch located on the rear-center console. The antenna is designed to break away without damaging the helicopter if inadvertently left extended during landing. However, damage to the antenna or actuation mechanism may occur.

CAUTION

Do not kick or step on antenna. Ensure antenna is retracted before landing.

SECTION 8: HANDLING AND MAINTENANCE

BATTERY SERVICE

The battery is located in a battery box beneath the tailcone. It is sealed and does not require fluid level checks.

JUMP STARTING ENGINE

Jump starting is not recommended due to limited access to battery and relay, and is not possible from a normal auto battery due to the 28-volt electrical system.

For battery charging, access to battery relay terminal A1 (labeled + 24V) and a grounded tab (labeled -) is provided inside the aft cowl door.

FAA APPROVED
R44 PILOT'S OPERATING HANDBOOK

SUPPLEMENT 8
E.N.G. VERSION

This supplement must be included in the FAA-Approved Robinson R44 Pilot's Operating Handbook when the helicopter is configured with optional Electronic News Gathering (ENG) equipment.

The information contained herein supplements or supersedes the basic manual only in those areas listed in this supplement. For limitations, procedures, and performance information not contained in this supplement, consult the basic R44 Pilot's Operating Handbook.

APPROVED BY: *Donald Armstrong*
Manager, Flight Test Branch, ANM-160L
Federal Aviation Administration, LAACO
Transport Airplane Directorate

DATE: *Nov. 4, 1997*

LOG OF REVISIONS

Page No.	Date	Page No.	Date
9-8.1	12 Nov 99	9-8.7	8 Apr 98
9-8.2	8 Apr 98	9-8.8	1 Jul 98
9-8.3	8 Apr 98	9-8.9	8 Apr 98
9-8.4	4 Nov 97	9-8.10	1 Jul 98
9-8.5	2 Feb 98	9-8.11	19 Aug 99
9-8.6	8 Apr 98	9-8.12	12 Nov 99

REVISIONS
APPROVED BY: *[Signature]*
Manager, Flight Test Branch, ANM-160L
Federal Aviation Administration, LAACO
Transport Airplane Directorate

DATE: *11/12/99*

SECTION 1: GENERAL

INTRODUCTION

This supplement contains the changes and additional data applicable when the R44 helicopter is equipped with Electronic News Gathering (ENG) options.

The ENG version is equipped with a 28-volt electrical system, a nose-mounted, gyro-stabilized video camera, audio and video cabling to interconnect ENG components, and a rear-center console to house audio and video controls. Additional equipment includes front seat and rear seat flat screen LCD monitors, FM transceivers, a video tape recorder, one to three micro cameras, microwave equipment, and additional interior lighting. The battery is relocated to the tailcone to balance the weight of the nose camera.

SECTION 2: LIMITATIONS

WEIGHT LIMITS

Maximum in left front or
right rear seat 250 lb (113 kg)

PLACARDS

Located in compartments under left front and right rear seats:

NO STOWAGE

Located on laptop camera controller, on video titler keyboard, and on handheld microwave keypad:

**STOW DURING TAXI,
TAKEOFF, AND LANDING**

SECTION 3: EMERGENCY PROCEDURES

POWER FAILURE ABOVE 500 FEET AGL

If time permits, stow laptop controller, video titler keyboard, and handheld microwave keypad, and retract omni antenna.

SECTION 4: NORMAL PROCEDURES

DAILY OR PREFLIGHT CHECKS

Add to item 4, Aft Cowl Door - Right Side:
Battery Relay Secure

Add to item 8, Tailcone:
Battery Secure

Delete from item 9, Cowl Door - Left Side:
Battery and Relay Secure

Add to item 12, Nose Section:
Camera and Fairing Secure

Add to item 13, Fuselage Right Side:
Antenna Secure

CAUTION

Calculate weight and balance to assure limits are not exceeded. Helicopter is likely to exceed allowable gross weight with ENG equipment installed and four occupants.

TAKEOFF PROCEDURE

Stow laptop camera controller, video titler keyboard, and handheld microwave keypad during taxi and takeoff.

APPROACH AND LANDING

Stow laptop controller, video titler keyboard, and handheld microwave keypad, and retract omni antenna.

SECTION 5: PERFORMANCE No change.

SECTION 6: WEIGHT AND BALANCE

CAUTION

Removal of nose-mounted camera causes a large shift in CG of empty helicopter. Calculate weight and balance prior to flight with camera removed to assure aft CG limit is not exceeded.

SECTION 7: SYSTEMS DESCRIPTION

ELECTRICAL SYSTEM

A 28-volt electrical system replaces the standard 14-volt system. The battery has been relocated to a battery box beneath the tailcone to balance the weight of the nose-mounted camera.

An additional circuit breaker panel on the ledge just forward of the pilot's seat contains all circuit breakers for ENG equipment. The forward row of circuit breakers is a 28-volt bus and the aft row is a 14-volt bus. A 28- to 14-volt converter located in the compartment under the right rear seat powers the 14-volt bus. The news equipment master switch on the left side of the panel controls power to all ENG equipment.

NOSE-MOUNTED CAMERA SYSTEM

The nose-mounted camera system consists of a gyro-stabilized, gimbal-mounted video camera in the chin, and a power junction box in the compartment beneath the right rear seat. A fairing between the camera ball and chin minimizes the aerodynamic effects of the camera. The camera is operated from the left rear seat via a laptop controller.

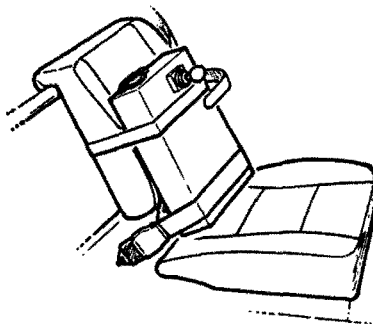
SECTION 7: SYSTEMS DESCRIPTION (cont'd)

NOSE-MOUNTED CAMERA SYSTEM (cont'd)

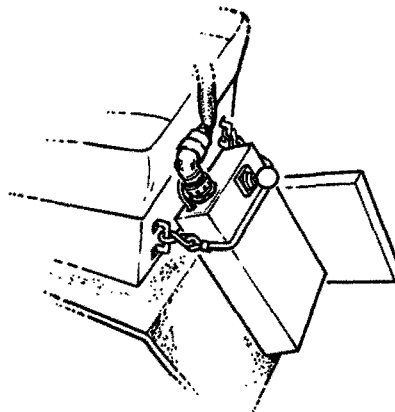
When not in use, the laptop controller may be stowed in the left front seat or right rear footwell as shown below. To stow the controller in the left front seat, disconnect wire harness and secure using both the seatbelt and tie-down strap.

CAUTION

The laptop controller is heavy and can cause injury if not secured during a hard landing. Always secure controller during taxi, takeoff, and landing operations.



LEFT FORWARD SEAT



RIGHT REAR SEAT

SECTION 7: SYSTEMS DESCRIPTION (cont'd)

AUDIO AND INTERCOM SYSTEM

The audio system consists of four audio control panels and an audio junction box. The audio junction box is located in the compartment beneath the left front seat. Power is supplied via a 5-amp circuit breaker in the left hand circuit breaker panel. Power to the audio system is not disconnected by the news equipment master switch.

The pilot's audio panel is located in the console. Push buttons are used to select a primary (transmit and monitor) audio component. Green LEDs indicate which audio component is currently selected as primary. Additional components may be monitored by selecting their toggle switches up. Sliders control volume level for each component being monitored.

Intercom control is at the far right of the audio panel. Toggle switch down isolates the pilot from the intercom system, toggle switch up selects normal keyed intercom mode, and button depressed is voice-activated mode.

On helicopters equipped with a trigger-style intercom/transmit switch, the first detent of the pilot's trigger switch is the intercom key. The second detent transmits on Com 1. The thumb button transmits on the panel-selected audio component.

A toggle switch to the right of the OAT gage may be used to bypass the audio system and connect the pilot directly to Com 1. This mode is automatically engaged in the event of an audio system power failure. (The transmit indicator on Com 1's display can be used to verify transmission.)

SECTION 7: SYSTEMS DESCRIPTION (cont'd)

AUDIO AND INTERCOM SYSTEM (cont'd)

The left front seat audio panel operates in the same manner as the pilot's audio panel but is not connected to the bypass toggle switch. On helicopters equipped with trigger-style intercom/transmit switches, the first detent of the co-pilot's trigger switch is the intercom key, and the second detent transmits on the panel-selected audio component. A handheld transmit switch has been added for use when the left cyclic grip is removed.

The rear seat audio panel is connected to both rear seat headset jacks. There is no voice-activated intercom mode for the rear seats. The left and right rear seat intercom switches have been relocated to the outboard side of the seat box and the rear-center console, respectively. In addition, the laptop camera controller contains intercom and transmit switches for the camera operator.

The microwave audio panel controls which signals are sent to the microwave transmitter. Selecting the toggle switch up for a component sends its signal to the transmitter. Push buttons are not functional on this panel.

FORWARD MONITOR INSTALLATION

The forward monitor installation consists of two small color LCD monitors mounted side by side on top of the instrument panel. The right monitor displays nose camera, micro-camera, or video tape recorder images as selected by the video switcher. The left monitor displays TV broadcasts as selected by the TV tuner.

SECTION 7: SYSTEMS DESCRIPTION (cont'd)

AFT MONITOR INSTALLATION

The aft monitor installation consists of two color LCD monitors mounted to the cross tube between the front seatbacks. Position and angle of the monitors is adjustable via friction swivel mounts.

The small, lower monitor displays TV broadcasts as selected by the TV tuner. The large, upper monitor may be switched between two modes. In Mode A, the monitor displays nose camera, micro camera, or video tape recorder images as selected by the video switcher. In Mode B, the video switcher is bypassed and the monitor displays nose-camera images directly.

VIDEO SWITCHER

The video switcher is located in the rear console and is used to select the video signal source (nose camera, video recorder playback, or micro cameras). The signal is then routed to the monitors, microwave transmitter, and video tape recorder.

TV TUNER

The TV tuner is mounted to the keel panel in the right rear footwell and is used to select television broadcasts to be displayed on the monitors.

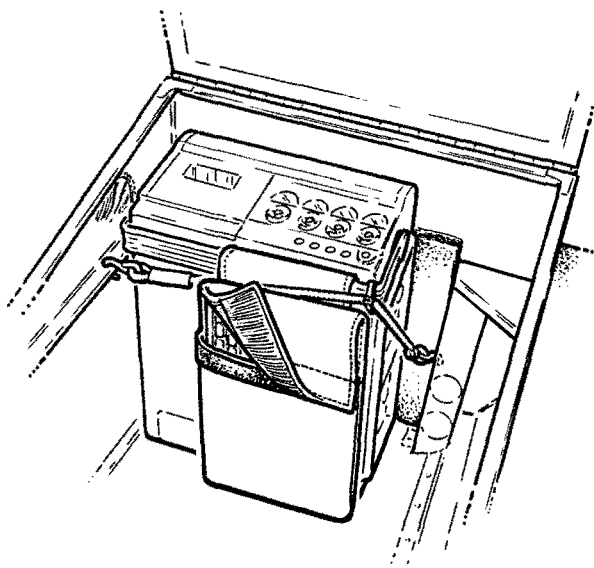
MICRO CAMERA SYSTEM

The micro camera system consists of up to three small cameras which may be mounted at the tip of the horizontal stabilizer, on the windshield bow, and on the aft cabin wall; and their control units which are in the rear-center console. The horizontal stabilizer camera is enclosed in a weather-proof case and may be accessed by unscrewing the front half of the case.

SECTION 7: SYSTEMS DESCRIPTION (cont'd)

VIDEO TAPE RECORDER

The video tape recorder is located in the compartment beneath the right rear seat and controlled by a remote control mounted on the rear console. It is secured using the elastic cord as shown below.



VIDEO TITLER

The video titler consists of the processor located in the compartment beneath the right rear seat and a laptop keyboard. The keyboard is used to add captions to the nose-mounted camera video signal. In addition, the processor is connected to the helicopter's GPS receiver, allowing GPS coordinates to be displayed. Selecting "AUX" on the video switcher adds the titler signal to the nose-mounted camera signal.

When not in use, stow keyboard in the pouch beneath the right rear seat as shown above.

SECTION 7: SYSTEMS DESCRIPTION (cont'd)

MICROWAVE SYSTEM

Two microwave transmitting systems are available on the ENG version.

The omnidirectional microwave transmitting system consists of the microwave transmitter beneath the right rear seat and a retractable omnidirectional microwave antenna on the right skid tube. The transmitter is operated via a controller in the rear-center console. The antenna is stowed parallel to the skid tube and rotated down to the vertical position for transmitting. It is actuated by an electric motor with the control switch located on the rear-center console. Lights next to the switch indicate whether the antenna is extended or retracted. The antenna is designed to break away without damaging the helicopter if inadvertently left extended during landing. However, damage to the antenna or actuation mechanism may occur.

CAUTION

Do not to kick or step on antenna. Insure antenna is retracted before landing.

The directional microwave transmitting system uses the same transmitter and transmitter controller as the omnidirectional system. The retractable antenna is replaced by a directional antenna in a pod under the belly. The directional antenna pod contains a GPS tracking system which keeps the antenna aimed at a ground-based receive site. The antenna controller is located in the compartment beneath the right rear seat.

Either transmitting system may be combined with an optional microwave receiver which is located beneath the right rear seat. Controls are located on the receiver face.

SECTION 7: SYSTEMS DESCRIPTION (cont'd)

FM TRANSCEIVERS

FM transceiver #1 is mounted forward and below the left circuit breaker panel, and FM transceiver #2 is mounted in the rear-center console. Either transceiver is selectable from any of the three main audio control panels.

AM/FM RECEIVERS

AM/FM receiver #1 is mounted adjacent to FM transceiver #1, and AM/FM receiver #2 is mounted adjacent to the TV tuner. Either receiver is selectable from any of the three main audio control panels.

INTERIOR LIGHT

An additional interior light installed to the right of the rear headset hangers illuminates the rear center console and the camera operator's laptop controller. Power is supplied to the interior light via the "GAGES" circuit breaker in the left hand circuit breaker panel and is not disconnected by the news equipment master switch. The light is controlled by a switch on its face plate.

TALENT LIGHT

The forward talent light is mounted on the left side of the instrument console and is used to illuminate the reporter during broadcasts in low-light conditions. Beam elevation is adjustable via a friction mount. The aft talent light is mounted at the top of the right door post and is used to illuminate the camera operator. Both lights are controlled by toggle switches on the rear-center console.

CAUTION

Talent lights may cause glare for pilot at night. Switch lights off if glare is objectionable.

SECTION 7: SYSTEMS DESCRIPTION (cont'd)

SIDE STROBE LIGHTS

The side strobe light installation adds one strobe to each side of the fuselage adjacent to the position lights. The side strobes are controlled by a switch on the console. The tailcone-mounted strobe is powered any time the master battery switch is on. The single strobe circuit breaker provides circuit protection for all three lights.

CAUTION

Turn strobes off any time glare is objectionable. Glare may be objectionable at night when hover taxiing or operating with front doors removed.

SEATS, BELTS, AND BAGGAGE

Baggage is not permitted under the left front and right rear seats due to electronic equipment and wiring in those compartments. A removable hinge pin allows the right rear seat bottom to be removed.

SECTION 8: HANDLING AND MAINTENANCE

BATTERY SERVICE

The battery is located in a battery box beneath the tailcone. It is sealed and does not require fluid level checks.

JUMP STARTING ENGINE

Jump starting is not recommended due to limited access to battery and relay, and is not possible from a normal auto battery due to the 28-volt electrical system.

For battery charging, access to battery relay terminal A1 (labeled +24V) and a grounded tab (labeled -) is provided inside the aft cowl door.

FAA APPROVED
R44 PILOT'S OPERATING HANDBOOK

SUPPLEMENT 9
GARMIN GPSMAP 225

This supplement must be included in the FAA Approved Robinson R44 Pilot's Operating Handbook when the helicopter is equipped with the optional Garmin GPSMAP 225.

The information contained herein supplements or supersedes the basic manual only in those areas listed in this supplement. For limitations, procedures, and performance information not contained in this supplement, consult the basic R44 Pilot's Operating Handbook.

APPROVED BY: 

Acting Manager, Flight Test Branch, ANM-160L
Federal Aviation Administration, LAACO
Transport Airplane Directorate

DATE: 3/31/99

LOG OF PAGES

Page No.	Date
9-9.1	31 Mar 99
9-9.2	31 Mar 99

SECTION 1: GENERAL

Refer to Owner's Manual for use of the Garmin GPSMAP 225.

SECTIONS 2 and 3 No change.

SECTION 4: NORMAL PROCEDURES

DAILY OR PREFLIGHT CHECKS

CAUTION

Dimmer may not dim display sufficiently for night flight. To further reduce brightness, increase contrast setting using Auxiliary menu and System Setup submenu. (Refer to Owner's Manual.)

SECTIONS 5 thru 8 No change.


FAA APPROVED
R44 PILOT'S OPERATING HANDBOOK

POP-OUT FLOATS SUPPLEMENT

This supplement must be included in the FAA-approved Pilot's Operating Handbook when pop-out floats are installed.

Information contained herein supplements or supersedes the basic manual only in those areas listed in this supplement. For limitations, procedures, and performance information not contained in this supplement, consult the basic Pilot's Operating Handbook.

APPROVED BY:


Manager, Flight Test Branch ANM-160L
Federal Aviation Administration
Los Angeles Aircraft Certification Office,
Transport Airplane Directorate

DATE:

6-10-99

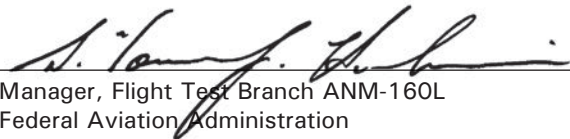
LOG OF REVISIONS

Page No.	Date	Page No.	Date
9-10.1	18 Dec 2015	9-10.8	18 Dec 2015
9-10.2*	18 Dec 2015	9-10.9	18 Dec 2015
9-10.3	18 Dec 2015	9-10.10	18 Dec 2015
9-10.4	18 Dec 2015	9-10.11*	18 Dec 2015
9-10.5	18 Dec 2015	9-10.12*	18 Dec 2015
9-10.6	18 Dec 2015	9-10.13*	18 Dec 2015
9-10.7	18 Dec 2015	9-10.14*	18 Dec 2015

* Manufacturer's data, not FAA approved.

REVISIONS

APPROVED BY:


Manager, Flight Test Branch ANM-160L
Federal Aviation Administration
Los Angeles Aircraft Certification Office,
Transport Airplane Directorate

DATE:

December 18, 2015

SECTION 1: GENERAL

INTRODUCTION

This supplement contains the changes and additional data applicable when pop-out floats are installed.

Pop-out floats are intended for safety during over-water flights. Intentional water landings for other than training purposes are not recommended.

NOTE

The pop-out floats are not certified for ditching. Some countries may prohibit certain over-water operations.

SECTION 2: LIMITATIONS

AIRSPEED LIMITS

ADDITIONAL AIRSPEED LIMITS

100 KIAS maximum at power above MCP.

With floats stowed, 100 KIAS maximum with any combination of cabin doors removed.

80 KIAS maximum for float inflation.

80 KIAS maximum with floats inflated.

115 KIAS maximum with float system armed (safety catch in READY position).

FLIGHT AND MANEUVER LIMITATIONS

Maximum altitude decrease with floats inflated is 4000 feet.

CAUTION

Altitude loss greater than 4000 feet may cause floats to lose shape and rigidity due to atmospheric pressure increase. Do not inflate floats above 4000 feet AGL.

PLACARDS

Near inflation lever:

V_{ne} WITH FLOATS INFLATED: 80 KIAS

SECTION 3: EMERGENCY PROCEDURES

POWER FAILURE – GENERAL

CAUTION

Lowering collective rapidly or applying excessive forward cyclic while helicopter is moving forward on water can cause floats to submerge and helicopter to nose over.

CAUTION

Float inflation may take up to three seconds. Squeeze inflation lever early enough to allow full inflation before water contact.

POWER FAILURE ABOVE 500 FEET AGL

Autorotation to land: Same as in basic manual.

Autorotation to water:

1. Lower collective immediately to maintain rotor RPM.
2. Reduce airspeed to below 80 KIAS.
3. Adjust collective to keep RPM between 97 and 108% or apply full down collective if light weight prevents attaining above 97%.
4. If altitude permits, maneuver into wind.
5. Inflate floats.

CAUTION

Do not inflate floats above 80 KIAS. Do not exceed 80 KIAS with floats inflated.

6. At about 40 feet AGL, begin cyclic flare.
7. At about 8 feet AGL, apply forward cyclic and raise collective just before touchdown. Touch down in slight nose high attitude with nose straight ahead.
8. Maintain cyclic in touchdown position and do not lower collective full down until forward motion has stopped.

SECTION 3: EMERGENCY PROCEDURES (cont'd)

POWER FAILURE BETWEEN 8 FEET AND 500 FEET AGL

Autorotation to land: Same as in basic manual.

Autorotation to water:

1. Lower collective immediately to maintain rotor RPM.
2. Reduce airspeed to below 80 KIAS.
3. Adjust collective to keep RPM between 97 and 108% or apply full down collective if light weight prevents attaining above 97%.
4. If altitude permits, maneuver into wind.
5. Inflate floats.

CAUTION

Do not inflate floats above 80 KIAS.
Do not exceed 80 KIAS with floats inflated.

6. Maintain airspeed until water is approached, then begin cyclic flare.
7. At about 8 feet AGL, apply forward cyclic and raise collective just before touchdown. Touch down in slight nose high attitude with nose straight ahead.
8. Maintain cyclic in touchdown position and do not lower collective full down until forward motion has stopped.

SECTION 3: EMERGENCY PROCEDURES (cont'd)

POWER FAILURE BELOW 8 FEET AGL

Over land: Same as in basic manual.

Over water:

1. Apply right pedal as required to prevent yawing.
2. Inflate floats.
3. Allow rotorcraft to settle.
4. Raise collective just before touchdown.

MAXIMUM GLIDE DISTANCE CONFIGURATION

Same as in basic manual except airspeed 80 KIAS with floats inflated.

EMERGENCY WATER LANDING – POWER OFF

See procedures for power failures in this supplement.

EMERGENCY WATER LANDING – POWER ON

1. Reduce airspeed to below 80 KIAS.
2. Inflate floats.

CAUTION

Do not inflate floats above 80 KIAS.
Do not exceed 80 KIAS with floats inflated.

3. Make normal approach and landing to water.

SECTION 4: NORMAL PROCEDURES

DAILY OR PREFLIGHT CHECKS

15. Pop-Out Floats

Float and float cover condition Check
Hose and fitting condition Check
Pressure cylinder Check pressure
Safety pin at pressure cylinder Verify removed
Inflation lever safety "Ready" or "Locked"
as required

CAUTION

Avoid night flight over water beyond autorotation distance to land. Height above water may be difficult to judge during a water landing.

NOTE

When OAT is below -10°C , there may be insufficient charge in pressure cylinder for full inflation.

FLOAT INFLATION

The red inflation lever located under the pilot's collective is equipped with a safety catch to prevent inadvertent float inflation. Prior to overwater flight, place the safety catch in the READY position. With the safety catch in the READY position, floats may be inflated by squeezing inflation lever.

Over land, safety catch should be reset to LOCKED position.

CAUTION

Observe 115 KIAS speed limitation when safety catch is in READY position.

SECTION 4: NORMAL PROCEDURES (cont'd)

FLOAT INFLATION (cont'd)

CAUTION

The pressure cylinder also has provisions for a safety pin at the valve on the cylinder neck. This safety pin is for use during maintenance and cylinder transport only and must be removed at all other times.

NOTE

Some flapping of float covers during flight with floats inflated is normal. To minimize wear, consider removing covers if an extended flight with inflated floats is required.

SECTION 4: NORMAL PROCEDURES (cont'd)

OPERATION ON WATER

Safe operation on water has been demonstrated in waves up to 1 foot (0.3 m) (trough to crest). Maximum recommended water taxi speed is 5 knots. Some application of collective is required.

Since the helicopter sits very low on water, it is likely that water will leak into the cabin. Intentional water landings should be limited to training. For training, seal the removable belly panels and landing gear cross tube cover using aluminum foil tape or duct tape. Avoid salt water if possible.

There may be limited tail rotor clearance to water, particularly at aft CG. Also, even small waves may cause enough rocking to dip the tail rotor in the water. If tail rotor contact with water is suspected, have tail rotor inspected prior to further flight. (If no noticeable change in vibration occurs after suspected water contact, helicopter may be repositioned to nearest convenient inspection site.)

CAUTION

If starting or stopping rotor on water, ensure area is clear as helicopter can rotate one or more complete turns while tail rotor RPM is low.

SECTION 4: NORMAL PROCEDURES (cont'd)

PRACTICE AUTOROTATION – WITH GROUND CONTACT

Same as in basic manual. Autorotations with floats stowed should only be performed to a smooth, hard surface to avoid damage to floats. Touch-down autorotations with floats inflated are not recommended due to the possibility of damage to floats.

PRACTICE AUTOROTATION TO WATER

Autorotation to water with floats inflated is same as practice autorotation with ground contact in basic manual except touch down in slight nose high attitude with nose straight ahead. Maintain cyclic in touchdown position and do not lower collective full down until forward motion has stopped.

CAUTION

Lowering collective rapidly or applying excessive forward cyclic while helicopter is moving forward on water can cause floats to submerge and helicopter to nose over.

CAUTION

There may be limited tail rotor clearance to water, particularly at aft CG. Applying excessive aft cyclic may cause tail rotor to contact water.

SHUTDOWN PROCEDURE

Add:

Inflation lever safety LOCKED

SECTION 5: PERFORMANCE

No change.

SECTION 6: WEIGHT AND BALANCE

WEIGHT AND BALANCE RECORD

Basic empty weight and CG with pop-out float landing gear and pressure cylinder installed are included in the Weight and Balance Summary provided with the helicopter. If pressure cylinder is removed, update Weight and Balance Record. A charged pressure cylinder weighs 11.4 lb. The longitudinal arm of the cylinder is 41.2 inches from datum and the lateral arm is -8.5 inches from datum.

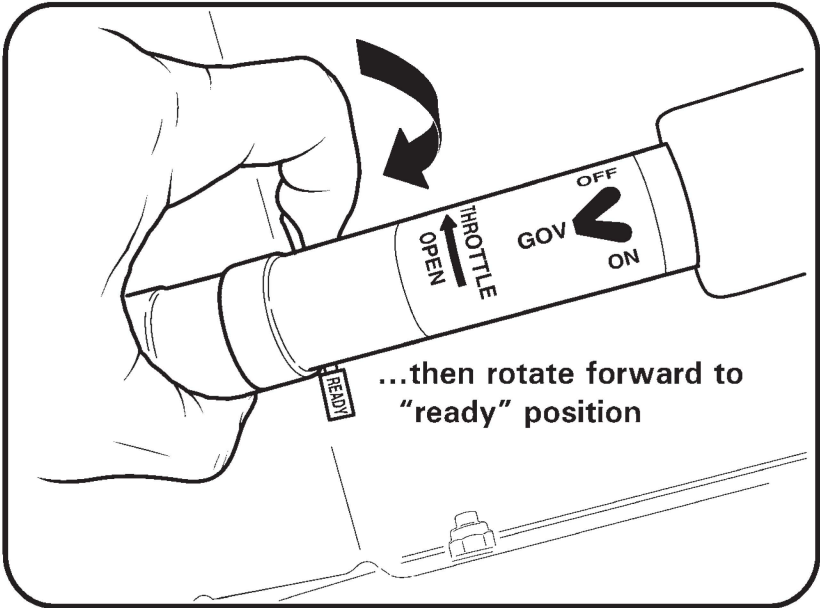
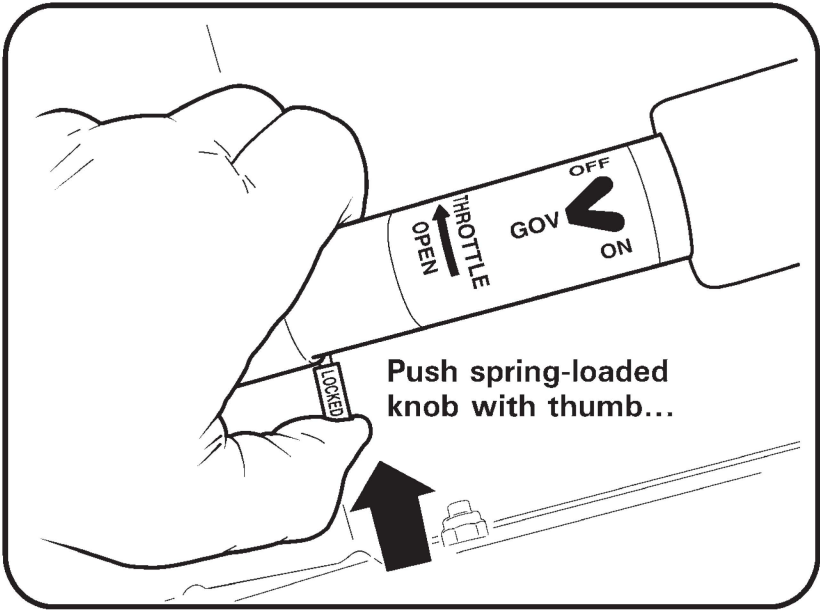
SECTION 7: SYSTEMS DESCRIPTION

The pop-out float system consists of inflatable floats stowed in protective covers along the skid tubes, a pressure cylinder located in the compartment under the left front seat, flexible hoses from the cylinder to the floats, an inflation lever located on the pilot's collective, and an additional stabilizer installed at the base of the lower vertical stabilizer.

The pressure cylinder is of aluminum construction reinforced with carbon filament windings and is charged with helium. Proper pressure is indicated on a placard on the cylinder, and pressure can be checked using the gage on the cylinder valve.

A safety catch on the inflation lever can be set to prevent inadvertent actuation. With the safety catch in the READY position, floats are inflated by squeezing firmly on the inflation lever. (Approximately 20 lb force is required.) Float inflation time is approximately 2-3 seconds. With the safety catch in the LOCKED position, the inflation lever is locked out.

To operate the safety catch, push spring-loaded knob with thumb while rotating U-shaped pin with forefinger as shown in figure.



SECTION 7: SYSTEMS DESCRIPTION (cont'd)

The pop-out floats are approved for amphibious operation but are not certified for ditching. They are intended for enhanced safety during over-water flights. Intentional water landings for other than training purposes are not recommended.

NOTE

Floats maintain full pressure for at least 1 hour after inflation and typically maintain shape for several hours. Monitor float inflation state if helicopter is parked on water for an extended period.

SECTION 8: HANDLING AND MAINTENANCE

GROUND HANDLING

With floats installed, special ground handling wheels (Robinson part number MT980-1 and MT980-2) are required.

A safety pin is provided for installation at the pressure cylinder valve. This pin should be installed during maintenance and cylinder transport to prevent inadvertent pressure release.

CAUTION

With the safety pin installed, it is not possible to inflate the floats using the cockpit inflation lever. The safety pin is for use during maintenance and cylinder transport only and must be removed at all other times.

FLOAT TUBES AND COVERS

Immediately replace any damaged float tube cover to minimize chance of float damage. Inspect float tube condition after each inflation. Refer to R44 Maintenance Manual for periodic inspection, float repacking, and cylinder recharge instructions.

INTENTIONALLY BLANK

FAA APPROVED
R44, R44 II, R44 CADET
PILOT'S OPERATING HANDBOOK

HELISAS AUTOPILOT SUPPLEMENT

This supplement must be included in the FAA-approved Pilot's Operating Handbook when the HeliSAS autopilot is installed.

The information contained herein supplements or supersedes the basic manual only in those areas listed in this supplement. For limitations, procedures, and performance information not contained in this supplement, consult the basic Pilot's Operating Handbook.

APPROVED BY: 
for Manager, Flight Test Branch, ANM-160L
Federal Aviation Administration, LAACO
Transport Airplane Directorate

DATE: September 8, 2014

LOG OF REVISIONS

Page No.	Date	Page No.	Date
9-13.1	15 Mar 22	9-13.8*	15 Mar 22
9-13.2*	15 Mar 22	9-13.9*	15 Mar 22
9-13.3	15 Mar 22	9-13.10*	15 Mar 22
9-13.4	15 Mar 22	9-13.11*	15 Mar 22
9-13.5	15 Mar 22	9-13.12*	15 Mar 22
9-13.6*	15 Mar 22	9-13.13*	15 Mar 22
9-13.7*	15 Mar 22		

* Manufacturer's data, not FAA approved.

REVISIONS
APPROVED BY: LAN-GLENN V TO Digitally signed by LAN-GLENN V TO
Date: 2022.03.15 07:03:08 -07'00'
Manager, West Flight Test Section, AIR-716
Federal Aviation Administration
Los Angeles

Acting,

DATE: 15 MAR 2022

SECTION 1: GENERAL

INTRODUCTION

This supplement contains the changes and additional data applicable when the HeliSAS autopilot is installed.

There are two versions of the HeliSAS autopilot. The earlier version (designated Version 51) has a BC (backcourse) button on the control panel. The later version (designated Version 52) replaces the BC button with a SPD (speed) button on the control panel.

The autopilot's primary Stability Augmentation System (SAS) mode maintains a steady helicopter attitude by applying corrective inputs to the cyclic. Additional modes providing heading hold, altitude hold, airspeed control (Version 52), and navigation functionality are also selectable. The autopilot does not provide any collective or pedal inputs. The system is designed as a "fly through" system meaning the pilot can override as desired for maneuvering without disengaging the system. Only a few pounds of force at the cyclic are required for override, and the system will not disconnect due to pilot cyclic inputs.

CAUTION

The autopilot is intended to enhance safety by reducing pilot workload. It is not a substitute for adequate pilot skill nor does it relieve the pilot of the responsibility to monitor the flight controls and maintain adequate outside visual reference.

SECTION 2: LIMITATIONS

FLIGHT AND MANEUVER LIMITATIONS

Pilot's hand must be on cyclic grip under the following conditions:

During autopilot engagement or intentional disengagement

At altitudes less than 200 feet AGL

Minimum altitude for use of autopilot ALT mode is 200 feet AGL.

For practice instrument approaches, minimum altitude for use of autopilot VRT mode is 50 feet AGL

SECTION 3: EMERGENCY PROCEDURES

AUTOPILOT DISENGAGEMENT OR FAILURE

The autopilot is designed to automatically disengage if the system detects a fault. Disengagement is normally indicated by four beeps in the headset. If the autopilot does not automatically disengage, failure may be recognized by erratic cyclic control motion, abnormal cyclic stick forces, or deviations in pitch or roll.

1. Continue flight using manual control. If autopilot has not disengaged, manually disengage using cyclic AP OFF button or control panel SAS button.
2. If SAS annunciator on control panel is steady white, re-engagement may be attempted at pilot's discretion.

CAUTION

Although unlikely, it is possible for certain faults to cause disengagement without the four-beep aural warning.

SECTION 3: EMERGENCY PROCEDURES (cont'd)

AUTOPILOT DISENGAGEMENT OR FAILURE (cont'd)

CAUTION

Due to the unstable nature of helicopters, autopilot disengagement requires immediate pilot attention. Always monitor helicopter attitude and flight controls, and be prepared to take manual control.

NOTE

The system automatically switches off all modes except SAS mode at airspeeds below 44 KIAS or above 130 KIAS, accompanied by a single beep. This is by design and not a system failure. The high speed limit is not intended to provide V_{ne} protection. It is the pilot's responsibility to observe V_{ne} limits.

SECTION 4: NORMAL PROCEDURES

GENERAL

Autopilot controls and operating modes are described in Section 7, Systems Description.

NOTE

Cyclic friction must be fully off for autopilot to work properly. Cyclic friction will degrade autopilot performance.

SECTION 4: NORMAL PROCEDURES (cont'd)

STARTING ENGINE AND RUN-UP

After "Hydraulic system", add:

- Autopilot Check
- Airspeed and altitude bugs Set (Version 52)

NOTE

For autopilot check, wear headset and ensure cyclic friction is off. Engage SAS mode. Verify cyclic exhibits centering tendency and SAS annunciator on control panel turns green. Disengage. Verify 4 beeps in headset, cyclic reverts to normal hydraulic system feel, and SAS annunciator turns white.

TAKEOFF PROCEDURE

Autopilot SAS mode may be engaged as desired on the ground or at any time during the takeoff procedure. Re-trim as necessary to eliminate undesirable cyclic forces.

CRUISE

Add:

Engage autopilot modes as desired. In SAS mode, re-trim as necessary to eliminate undesirable cyclic forces.

CAUTION

It is the pilot's responsibility to monitor flight controls, aircraft flightpath, traffic, and terrain even while the autopilot is engaged. The autopilot is designed to disengage in the event of a fault. Be prepared to take control if required.

SECTION 5: PERFORMANCE

No change.

SECTION 6: WEIGHT AND BALANCE

No change.

SECTION 7: SYSTEMS DESCRIPTION

AUTOPILOT

The HeliSAS autopilot system consists of two electric servomotors, a flight control computer, an autopilot control panel, and control buttons on the cyclic grip. One servomotor controls pitch and is installed in the control tunnel forward of the cyclic stick. The other servomotor controls roll and is installed under the pilot's seat. The servomotors are connected to the cyclic through electromagnetic clutches.

The flight control computer is installed on the forward panel under the pilot's seat, and the autopilot control panel is installed in the avionics stack.

The autopilot senses aircraft attitude using a combination of sensors in the flight control computer and an independent onboard attitude source such as the Attitude Heading Reference System (AHRS) for the Primary Flight Display (PFD). The computer then sends signals to the servomotors which are connected to the bottom of the cyclic in the control tunnel.

The primary autopilot mode is Stability Augmentation System (SAS) mode which maintains a steady helicopter attitude by applying corrective inputs to the cyclic. This is felt as a light cyclic centering force. Additional modes may be layered on top of SAS mode and are described below. The pilot can override as desired for maneuvering without disengaging the system. Only a few pounds of force at the cyclic are required for override, and the system will not disconnect due to pilot cyclic inputs.

The control panel has a row of buttons to control autopilot modes and annunciators to indicate mode status. A dark annunciator indicates that a mode is off, a white annunciator indicates that a mode is armed or on standby, and a green annunciator indicates that a mode is active.

SECTION 7: SYSTEMS DESCRIPTION (cont'd)

AUTOPILOT (cont'd)

When the avionics master is switched on, the autopilot performs a self-test and then enters SAS standby mode. All of the control panel indicators flash alternating white and green during the self-test. Four headset beeps occur at the beginning of the self-test as a check of the aural warning function. The SAS annunciator on the control panel turns steady white when the self-test is complete.

NOTE

Autopilot will not enter standby mode if attitude indicator is not functioning or indicated bank angle is greater than 6 degrees.

The autopilot SAS mode is engaged either by pressing the SAS button on the control panel or by pressing the TRIM button on the cyclic for more than 1.25 seconds. Additional modes are engaged by pressing the appropriate button on the control panel. The additional modes are disabled and will not engage at airspeeds below 44 KIAS or above 130 KIAS.

To disengage any mode, push the appropriate button on the control panel

NOTE

Disengaging SAS mode will also disengage all other modes.

Modes may also be disengaged using the AP OFF button on the cyclic. If only SAS mode is engaged, push the AP OFF button once to disengage. If additional modes are engaged, push the AP OFF button once to disengage all modes except SAS and a second time to disengage SAS mode, or push and hold the AP OFF button to disengage all modes including SAS

SECTION 7: SYSTEMS DESCRIPTION (cont'd)

AUTOPILOT (cont'd)

NOTE

SAS disengagement should always be accompanied by four beeps in the headset. If beeps do not occur, maintenance is required.

Safety monitors automatically disengage individual modes or the entire system if a fault is detected. Automatic disengagement of SAS mode (or the entire system) is indicated by four beeps in the headset. Automatic disengagement of any mode other than SAS is indicated by a single beep in the headset. There is no audio indication for intentional disengagement of modes other than SAS.

NOTE

The system also automatically reverts to SAS mode at airspeeds below 44 KIAS or above 130 KIAS, accompanied by a single beep. The high speed limit is not intended to provide V_{ne} protection. It is the pilot's responsibility to observe V_{ne} limits.

The TRIM button is used to re-set the target attitude (to re-trim) while in SAS mode. Use a small amount of force to override the autopilot and then push and release the TRIM button at the new desired condition. If the force to override is objectionable, the TRIM button may be held down during maneuvers. The system will re-trim to the attitude at which the TRIM button is released. For Version 52, stick forces felt during override will gradually wash out to near zero without use of TRIM button if override is maintained.

NOTE

The system will not re-trim to angles more than approximately 10° in pitch or roll.

SECTION 7: SYSTEMS DESCRIPTION (cont'd)

AUTOPILOT (cont'd)

NOTE

When engaging SAS mode from standby, for angles of less than approximately 10° in pitch and roll, SAS holds the current angles. If either pitch or roll is larger than approximately 10°, the system assumes an unusual attitude and gently levels the helicopter.

The autopilot is protected by a dedicated circuit breaker on the avionics bus (autopilot is not powered with the avionics master switch off).

Heading Mode (HDG) – maintains the heading selected by the heading bug on the directional gyro or Horizontal Situation Indicator (HSI) display. Aircraft can be steered using the heading bug.

Altitude Mode (ALT) – maintains altitude at the time of engagement or of last TRIM button release. The target altitude is reset each time the TRIM button is pressed and released.

NOTE

The autopilot uses pitch attitude to maintain altitude or follow an approach glidepath. It does not have any control of power setting. The pilot must manage power with the collective to control speed and rate of climb or descent. Make small, smooth power changes to allow the system to adjust to new power settings.

SECTION 7: SYSTEMS DESCRIPTION (cont'd)

AUTOPILOT (cont'd)

Navigation Mode (NAV) – tracks the active GPS or VLOC course displayed on the Course Deviation Indicator (CDI). If no CDI is installed, NAV will only track the active GPS course displayed on the GPS.

NAV may be armed prior to intercepting the active course. NAV annunciator is white when NAV is armed and turns green at course intercept. If HDG is active when NAV is armed, the autopilot will fly the selected heading until course intercept. If HDG is not active, the autopilot will select a 45° intercept angle.

Vertical Navigation Mode (VRT) – tracks an ILS glideslope or GPS approach vertical guidance. Arm VRT (annunciator turns white when armed) prior to intercepting the glidepath. VRT annunciator will turn green at glidepath intercept.

NOTE

Pushing the ALT button while VRT is armed or active will turn off VRT. VRT must be re-armed or re-engaged as desired.

NOTE

Reducing power to approach setting just prior to glidepath intercept is recommended.

Speed Mode (SPD) (Version 52 only)

Speed mode uses cyclic pitch to control airspeed. Exact behavior varies with configuration of airspeed and altitude bugs on the PFD as described below.

The altitude bug is displayed above the altitude tape and the airspeed bug is displayed above the airspeed tape. The appearance of all dashes or a blank field indicates a bug is not set.

SECTION 7: SYSTEMS DESCRIPTION (cont'd)

AUTOPILOT (cont'd)

Speed Mode (SPD) (Version 52 only) (cont'd)

If an airspeed bug is not set, selecting SPD holds the current airspeed. The target speed is reset each time the trim button is pressed and released.

If an airspeed bug is set, selecting SPD holds airspeed at the bug setting. Changing the bug will change the target airspeed.

If an altitude bug is set, selecting SPD will also arm ALT (ALT LED white) for altitude capture. The mode will switch from SPD to ALT if the selected altitude is crossed. There will be a brief period in capture mode with the ALT LED flashing white/green.

NOTE

Do not change the selected altitude during ALT capture (ALT LED flashing white/green). System may pitch up or down to chase bug and may not capture altitude.

NOTE

Different brands of PFD behave differently in terms of bug settings at power up and how bugs are manually set. Refer to PFD manufacturer's documents for proper use. Verify desired bug settings before engaging SPD mode.

SECTION 7: SYSTEMS DESCRIPTION (cont'd)

AUTOPILOT (cont'd)

Backcourse Mode (BC) (Version 51 only) – reverse CDI sensing for backcourse approaches. Course on HSI should be set so that tail of course pointer points toward runway (set to inbound front course).

Airspeed Protection (Version 52 only) – Minimizes the possibility of the ALT mode to fly the helicopter to an airspeed below 44 KIAS due to insufficient power, or the VRT mode to fly the helicopter to an airspeed above 130 KIAS due to excess power when flying a precision approach glideslope. When triggered, it causes the longitudinal mode to change from ALT (at low airspeed) or VRT (at high airspeed) to SAS mode with a commanded pitch attitude of 2 degrees nose down. Since the mode change is not commanded by the pilot, a single warning beep is annunciated.

REMOVABLE FLIGHT CONTROLS

On later aircraft, disconnect the electrical connector for the left-hand trim button located near the quick release pin before removing the left cyclic grip. Reconnect the connector when installing the left cyclic grip.

SECTION 8: HANDLING AND MAINTENANCE

No change.

SECTION 10: SAFETY TIPS

The autopilot is intended to reduce pilot workload and enhance safety. It is important that pilots do not misuse this capability and allow their attention to be diverted. Pilots should continue monitoring the flight controls and helicopter attitude as well as looking for traffic and other obstacles. Autopilot disengagement requires immediate pilot attention. Pilots must always be prepared to take manual control.

The autopilot is not certified for flight in Instrument Meteorological Conditions (IMC). Adhering to appropriate VFR weather minimums is essential for safety.

If an inadvertent loss of outside visual reference occurs, the pilot must regain visual conditions as quickly as possible while avoiding abrupt, disorienting maneuvers. The following procedure is recommended:

1. If not already engaged, immediately engage autopilot SAS mode and allow autopilot to recover from unusual attitude if one has occurred.
2. Select a heading and altitude to ensure terrain and obstacle clearance. Turns and/or climbs may be required. Engage additional autopilot modes as desired for workload reduction.
3. While maintaining terrain and obstacle clearance, maneuver toward conditions of improved visibility.

INTENTIONALLY BLANK

**FAA APPROVED
R44 PILOT'S OPERATING HANDBOOK
OPTIONAL AVIONICS SUPPLEMENT**

This supplement must be included in the FAA-approved Pilot's Operating Handbook when certain factory-supplied optional avionics are installed.

Information contained herein supplements or supersedes the basic manual only in those areas listed in this supplement. For limitations, procedures, and performance information not contained in this supplement, consult the basic Pilot's Operating Handbook.

APPROVED BY: *Hien Tong*
Acting Manager, West Flight Test Section, AIR-716
Federal Aviation Administration
Los Angeles, CA

DATE: *May 7, 2018*

LOG OF PAGES

Page No.	Date	Page No.	Date
9-14.1	7 May 18	9-14.5*	7 May 18
9-14.2*	7 May 18	9-14.6*	7 May 18
9-14.3	7 May 18	9-14.7*	7 May 18
9-14.4*	7 May 18		

* Manufacturer's data, not FAA approved.

SECTION 1: GENERAL

INTRODUCTION

This supplement provides additional information for certain avionics options. A set of manufacturers' instructions for all installed avionics is provided with each new helicopter.

The following equipment is addressed in this supplement:

- Aspen Avionics EFD 1000H PFD and EFD 500H MFD
- Garmin G500H avionics system with touch screen display (GDU 700L TXi)

NOTE

For all Robinson Primary Flight Display (PFD)/ Multi Function Display (MFD) installations, the airspeed indicator, altimeter, compass, tachometer, and engine instruments are retained. Pilots should use the traditional instruments as primary unless fully familiar with the installed avionics.

SECTION 2: LIMITATIONS	No change.
SECTION 3: EMERGENCY PROCEDURES	No change.
SECTION 4: NORMAL PROCEDURES	No change.
SECTION 5: PERFORMANCE	No change.
SECTION 6: WEIGHT AND BALANCE	No change.
SECTION 7: SYSTEMS DESCRIPTION	See below.
SECTION 8: HANDLING AND MAINTENANCE	
No change.	

SECTION 7: SYSTEMS DESCRIPTION

ASPEN EFD 1000H PFD AND EFD 500H MFD

The Aspen Electronic Flight Display (EFD) 1000H is a Primary Flight Display (PFD) optimized for helicopter use. It is available in a "Pilot" (basic) version or "Pro" (with more advanced navigation features) version.

The Aspen EFD 500H is a Multifunction Display (MFD) optimized for helicopter use.

Robinson configurations are either a single EFD 1000H PFD or a dual installation with one EFD 1000H PFD and one EFD 500H MFD. A typical dual-installation instrument panel is illustrated on the following page.

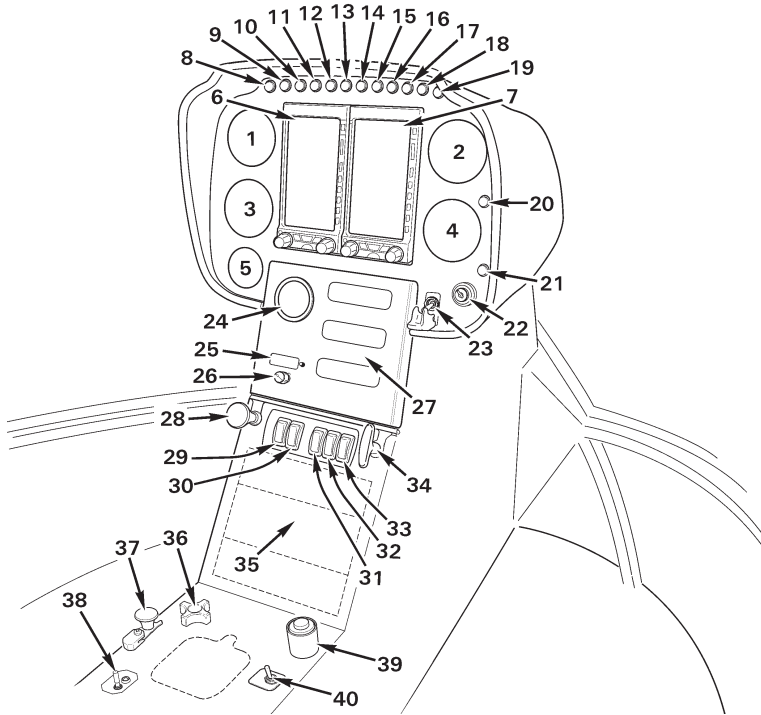
The manufacturer's documents for the EFD 1000H and EFD 500H are:

Title	Document No.
<i>Aspen Avionics Evolution Flight Display EFD 1000H PFD Pilot's Guide</i>	091-00012-001
<i>Aspen Avionics Evolution Flight Display EFD 1000H/500H MFD Pilot's Guide</i>	091-00013-001

NOTE

A Robinson part no. D327-4 light filter may be used to reduce reflections in the windshield at night. The light filter is installed by clipping it to the front of the display. Filter use is at pilot discretion.

SECTION 7: SYSTEMS DESCRIPTION (cont'd)



- | | |
|-----------------------------|---------------------------------|
| 1. AIRSPEED INDICATOR | 21. ROTOR BRAKE LIGHT |
| 2. ENGINE AND ROTOR TACHS | 22. IGNITION SWITCH |
| 3. ALTIMETER | 23. CLUTCH ACTUATOR SWITCH |
| 4. MANIFOLD PRESSURE GAGE | 24. CARBURETOR AIR TEMP |
| 5. CLOCK | 25. OUTSIDE AIR TEMP/VOLTMETER |
| 6. MULTI-FUNCTION DISPLAY | 26. PANEL LIGHTS DIMMER |
| 7. PRIMARY FLIGHT DISPLAY | 27. ENGINE INSTRUMENTS |
| 8. CLUTCH ACTUATOR LIGHT | 28. CABIN HEAT |
| 9. M.R. GEARBOX TEMP LIGHT | 29. NAVIGATION LIGHTS SWITCH |
| 10. M.R. GEARBOX CHIP LIGHT | 30. ANTI-COLLISION LIGHT SWITCH |
| 11. CARBON MONOXIDE LIGHT | 31. AVIONICS MASTER SWITCH |
| 12. STARTER-ON LIGHT | 32. ALTERNATOR SWITCH |
| 13. T.R. GEARBOX CHIP LIGHT | 33. BATTERY SWITCH |
| 14. LOW FUEL LIGHT | 34. CABIN AIR |
| 15. LOW RPM LIGHT | 35. AVIONICS STACK |
| 16. ALT LOW VOLTAGE LIGHT | 36. CYCLIC FRICTION |
| 17. ENGINE FIRE LIGHT | 37. CARBURETOR HEAT |
| 18. OIL PRESSURE LIGHT | 38. ELT SWITCH (OPT'L) |
| 19. GOVERNOR-OFF LIGHT | 39. MIXTURE CONTROL |
| 20. FULL THROTTLE LIGHT | 40. PITOT HEAT SWITCH (OPT'L) |

**OPTIONAL INSTRUMENT PANEL WITH
ASPEN EFD 1000H PFD and EFD 500H MFD**

(Exact panel configuration may vary with optional equipment and date of helicopter manufacture.)

SECTION 7: SYSTEMS DESCRIPTION (cont'd)

**GARMIN G500H SYSTEM WITH GDU 700L TXi
TOUCH SCREEN DISPLAY**

The Garmin GDU 700L TXi is a 7 inch diagonal PFD/MFD designed for use with Garmin's G500H helicopter avionics system.

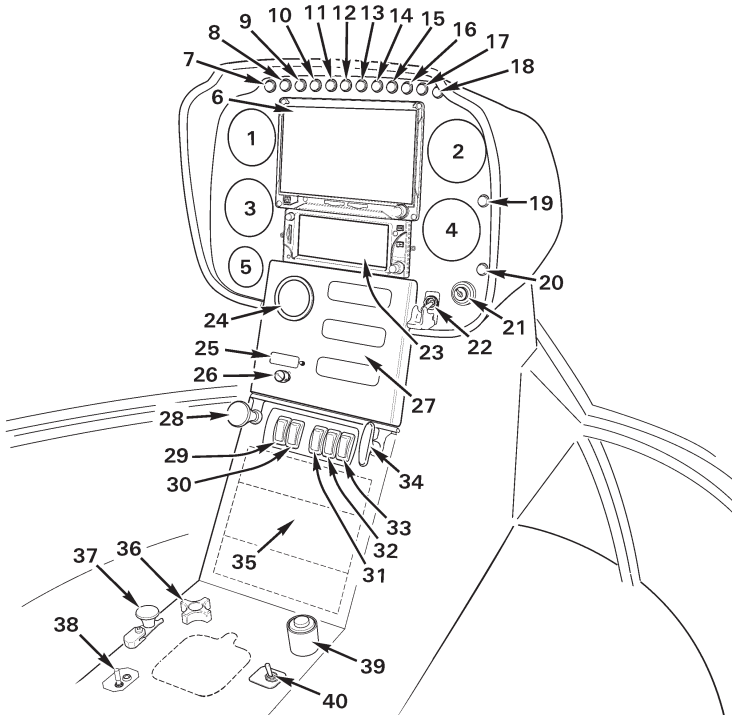
The GDU 700L TXi uses a touch screen for pilot interface, with primary functions duplicated via knobs and buttons.

Robinson's installation for the display is illustrated on the following page.

The manufacturer's document for the G500H system with GDU 700L TXi display is:

Title	Document No.
<i>Garmin G500(H)/G600/G700 TXi Pilot's Guide</i>	190-01717-11

SECTION 7: SYSTEMS DESCRIPTION (cont'd)



- | | |
|-----------------------------|---------------------------------|
| 1. AIRSPEED INDICATOR | 21. IGNITION SWITCH |
| 2. ENGINE AND ROTOR TACHS | 22. CLUTCH ACTUATOR SWITCH |
| 3. ALTIMETER | 23. GPS NAVIGATOR |
| 4. MANIFOLD PRESSURE GAGE | 24. CARBURETOR AIR TEMP |
| 5. CLOCK | 25. OUTSIDE AIR TEMP/VOLTMETER |
| 6. MULTI-FUNCTION DISPLAY | 26. PANEL LIGHTS DIMMER |
| 7. CLUTCH ACTUATOR LIGHT | 27. ENGINE INSTRUMENTS |
| 8. M.R. GEARBOX TEMP LIGHT | 28. CABIN HEAT |
| 9. M.R. GEARBOX CHIP LIGHT | 29. NAVIGATION LIGHTS SWITCH |
| 10. CARBON MONOXIDE LIGHT | 30. ANTI-COLLISION LIGHT SWITCH |
| 11. STARTER-ON LIGHT | 31. AVIONICS MASTER SWITCH |
| 12. T.R. GEARBOX CHIP LIGHT | 32. ALTERNATOR SWITCH |
| 13. LOW FUEL LIGHT | 33. BATTERY SWITCH |
| 14. LOW RPM LIGHT | 34. CABIN AIR |
| 15. ALT LOW VOLTAGE LIGHT | 35. AVIONICS STACK |
| 16. ENGINE FIRE LIGHT | 36. CYCLIC FRICTION |
| 17. OIL PRESSURE LIGHT | 37. CARBURETOR HEAT |
| 18. GOVERNOR-OFF LIGHT | 38. ELT SWITCH (OPT'L) |
| 19. FULL THROTTLE LIGHT | 39. MIXTURE CONTROL |
| 20. ROTOR BRAKE LIGHT | 40. PITOT HEAT SWITCH (OPT'L) |

**OPTIONAL INSTRUMENT PANEL WITH
GARMIN G500H SYSTEM WITH GDU 700L TXi DISPLAY**

(Exact panel configuration may vary with optional equipment and date of helicopter manufacture.)

INTENTIONALLY BLANK

**FAA APPROVED
R44, R44 II, R44 CADET
PILOT'S OPERATING HANDBOOK**

LITHIUM-ION BATTERY SUPPLEMENT

This supplement must be included in the FAA-approved Pilot's Operating Handbook when the lithium-ion main battery is installed.

Information contained herein supplements or supersedes the basic manual only in those areas listed in this supplement. For limitations, procedures, and performance information not contained in this supplement, consult the basic Pilot's Operating Handbook.

APPROVED BY: **HIEN H TONG** Digitally signed by HIEN H TONG
Date: 2020.12.10 13:39:02 -08'00'
for Manager, West Flight Test Section, AIR-716
Federal Aviation Administration
Los Angeles, CA

DATE: 10 DEC 2020

LOG OF PAGES

Page No.	Date	Page No.	Date
9-15.1	10 Dec 20	9-15.4*	10 Dec 20
9-15.2	10 Dec 20	9-15.5*	10 Dec 20
9-15.3	10 Dec 20	9-15.6*	10 Dec 20

* Manufacturer's data, not FAA approved.

SECTION 1: GENERAL

INTRODUCTION

This supplement contains changes and additional data applicable when the lithium-ion main battery is installed.

SECTION 2: LIMITATIONS

No change.

SECTION 3: EMERGENCY PROCEDURES

WARNING/CAUTION LIGHTS

BATT FAULT Indicates abnormal battery operation. Charging, discharging, or both may be disabled. Land as soon as practical. Alternator will continue to supply power in flight.

NOTE

Battery's internal circuitry may disable charge/discharge functions due to over-temperature, over/under voltage, or excessive current draw. A flashing light means the fault may be recoverable (battery will reset itself) either when the condition improves or during a power cycle at the next landing. A steady light means battery maintenance or replacement will likely be necessary.

SECTION 4: NORMAL PROCEDURES

STARTING ENGINE AND RUN-UP

After Battery switch ON, add:

Battery heater indicator lightExtinguished

NOTE

The lithium-ion battery has a built-in heater. When the battery switch is ON, the BATT HEATER light illuminates during the heating cycle and extinguishes when the battery is warm enough to attempt a start. The indicator light is disabled after engine start, but the heater will continue to cycle as required to maintain optimum battery temperature.

SECTION 5: PERFORMANCE

No change.

SECTION 6: WEIGHT AND BALANCE

No change.

SECTION 7: SYSTEMS DESCRIPTION

ELECTRICAL SYSTEM

A 17 amp-hour lithium-ion battery replaces the standard 24-volt lead-acid main battery. The lithium-ion battery includes built-in circuitry that monitors temperature, voltage, and current draw and manages battery charge and discharge. The circuitry automatically disables charge and/or discharge if any electrical or thermal problems are detected. The circuitry will also interrupt power if a start is attempted with insufficient charge to prevent permanent battery damage. The battery uses lithium-iron-phosphate chemistry which is less susceptible to thermal runaway than some other lithium battery chemistries.

The metal battery case is designed to contain any heat or gases generated within the battery and is vented overboard. No venting should occur during normal operation.

Two annunciator panel segments, BATT FAULT and BATT HEATER, show battery status. The annunciator panel test button should cause these segments to illuminate along with the rest of the annunciator panel. The segments will also illuminate briefly when the battery switch is turned on after several hours of inactivity.

BATT FAULT illuminates if the battery has an over- or under-voltage condition, an over-temperature condition, or if current draw exceeds limits. A flashing light indicates a recoverable fault. The light may go out if the fault corrects itself (e.g. temperature decrease) or may go out as a result of a power cycle at the next landing. A steady light indicates battery maintenance or replacement may be required. The emergency procedure for a fault light (flashing or steady) is to land as soon as practical. The alternator will continue to supply electrical power during the landing.

SECTION 7: SYSTEMS DESCRIPTION (cont'd)

ELECTRICAL SYSTEM (cont'd)

The battery incorporates an internal heater for cold weather operation. The heater attempts to maintain a battery temperature of at least 50°F (10°C). When the battery is switched ON, BATT HEATER illuminates while the heater is warming the battery and extinguishes when the battery is warm enough to attempt an engine start. On very cold days, the heating cycle may take 10 minutes or more. The heater light is disabled while the engine is running but the heater will continue to function as long as the battery switch is ON.

SECTION 8: HANDLING AND MAINTENANCE

Nominal charging voltage for the lithium-ion battery is 28.8 volts. Some lead-acid chargers may not provide enough voltage to fully charge the battery. Ensure charging equipment is compatible with lithium-ion batteries.

Refer to the R44 Maintenance Manual for additional handling and maintenance instructions.

THIS PAGE INTENTIONALLY BLANK

SECTION 10

SAFETY TIPS AND NOTICES

CONTENTS

	Page
General	10-1
Safety Tips	10-1
Pilot Knowledge and Proficiency	10-4
Safety Notices	10-6

INTENTIONALLY BLANK

SECTION 10

SAFETY TIPS

GENERAL

This section provides suggestions for the pilot to operate the helicopter more safely.

SAFETY TIPS

1. Never push the cyclic forward to descend or to terminate a pull-up (as you would in an airplane). This may produce a low-G (near weightless) condition which can result in a main rotor blade striking the cabin. Always use the collective to initiate a descent.
2. Never intentionally allow the fuel quantity to become so low in flight that the low fuel warning light comes on.
3. Never leave the helicopter unprotected where curious onlookers may inadvertently damage critical parts, such as the tail rotor blades.
4. Turn the strobe light on before starting the engine and leave it on until the rotors stop turning. The strobe light is located near the tail rotor and provides a warning to ground personnel. In-flight operation of all external lights even during daylight is recommended to promote collision avoidance.
5. Never carry any external load except when using an approved hook, and never attach anything to the outside of the helicopter. Also, be sure no loose articles are in the cabin, particularly when flying with any doors removed. Even a small, lightweight object can damage the tail rotor in flight.
6. Avoid abrupt control inputs or accelerated maneuvers, particularly at high speed. These produce high fatigue loads and, over time, could lead to failure of a critical component.

SAFETY TIPS (cont'd)

7. A change in the sound or vibration of the helicopter may indicate an impending failure of a critical component. If unusual sound or vibration begins in flight, make a safe landing and have aircraft thoroughly inspected before flight is resumed. Hover helicopter close to the ground to verify problem is resolved, and then have aircraft reinspected before resuming free flight.
8. Take steps to ensure ground personnel or onlookers remain well clear of tail rotor and exhaust. Main rotor blades can also be dangerous, especially if personnel are upslope from helicopter.
9. Never allow rotor RPM to become dangerously low. Most hard landings will be survivable as long as the rotor is not allowed to stall.
10. Never make takeoffs or landings downwind, especially at high altitude. The resulting loss of translational lift can cause the aircraft to settle into the ground or obstacles.
11. A vertical descent or steep approach, particularly downwind, can cause the rotor to fly into its own downwash, a condition known as vortex ring state. In this condition, even maximum engine power may not be enough to stop the descent, resulting in a hard ground impact. Vortex ring state can be avoided by always reducing rate of descent before reducing airspeed. (See Safety Notice SN-22.)
12. The helicopter is stable on its landing gear as long as ground contact is made vertically or with the aircraft moving forward. Should ground contact be made with the helicopter moving rearward or sideward, damage and possibly a rollover could occur. Low-time pilots and students should practice landings and hovering with the aircraft slowly moving forward.

SAFETY TIPS (cont'd)

13. When operating at higher altitudes (above 3000 or 4000 feet), the throttle is frequently wide open and RPM must be controlled with the collective. Throttle/collective correlation is not effective under these conditions and governor response rate is fairly slow. It may be necessary to roll throttle off as collective is lowered to prevent an overspeed.
14. Do not use collective pitch to slow the rotor during shut-down. Collective pitch produces lift on the blades which can disengage the droop stop friction and allow the blades to strike the tailcone. Also, do not slow or stop the rotors by grabbing the tail rotor. Stopping the tail rotor by hand can damage the tail rotor drive.
15. Do not land in tall dry grass. The exhaust is low to the ground and very hot; a grass fire may be ignited.
16. Always check an area for wires or other obstructions before practicing autorotations.
17. With hydraulic controls, use special caution to avoid abrupt control inputs or accelerated maneuvers. Since no feedback is felt in the flight controls, the pilot may be unaware of the high fatigue loads generated during such maneuvers. Frequent or prolonged high-load maneuvers could cause premature, catastrophic failure of a critical component.
18. Never attempt a magneto check while in flight. If one magneto is malfunctioning and the pilot grounds the other one, the engine may stop completely. If a magneto malfunction is suspected, leave the key in the BOTH position and land as soon as practical.
19. Use caution when loading helicopter near the forward CG limit and remember that CG shifts forward as fuel is burned. Near the forward CG limit, a fore-aft oscillation may develop during steep turns or autorotations. To stop this oscillation, return to straight and level powered flight. Oscillation may take several seconds to dissipate.

PILOT KNOWLEDGE AND PROFICIENCY

Pilot knowledge and proficiency is essential to safe helicopter operation. In addition to being appropriately licensed and complying with regulatory recurrency requirements such as 14 CFR §61.56 and §61.57, all pilots should seek to keep their knowledge base current and proficiency at a high level.

Periodic study and recurrent training is needed to maintain proficiency. Emphasis on the areas below is recommended. These areas should also be covered during transition training for each specific make and model that a pilot flies.

All Robinson dealers are staffed with approved instructors, and the factory can provide up-to-date information on instructors in your area.

RECOMMENDED REVIEW AND PROFICIENCY TOPICS:

NOTE

The FAA Helicopter Practical Test Standards, FAA Helicopter Flying Handbook, and commercially available helicopter training syllabi can provide detailed lessons and standards in many of the areas listed.

- All Safety Tips and Safety Notices (SNs) in the Pilot's Operating Handbook
- Limitations and Emergency Procedures
- Precision hovering, hovering turns, hover taxi (*Ref SNs 9 and 42*)
 - Safe liftoff and set down with no tendency to drift
 - Crosswind and tailwind position and directional (yaw) control
- Vortex Ring State (*Ref SNs 22 and 34*)
 - Conditions conducive
 - Recovery procedures (Vuichard and traditional)
- Loss of outside visual reference (*Ref SNs 18, 19, and 26*)
 - Seriousness of this condition
 - Traps (night flight with clouds, gradually worsening conditions, etc.)
 - Featureless terrain or glassy water

PILOT KNOWLEDGE AND PROFICIENCY (cont'd)

- Flight planning (*Ref SNs 15, 26, and 43*)
 - Thorough preflight inspection
 - Fuel
 - Weather
 - Performance (hot/high/loading)
- Distractions (*Ref SNs 16, 34, 36, and 41*)
 - Failure to keep eyes outside scanning for wires, other obstacles, and traffic
 - High workload missions such as photo flights
 - Passengers
 - Avionics
 - Cell phones
- Low-G and mast bumping (*Ref SNs 11, 29, and 32*)
 - Avoidance
 - Reduce airspeed in turbulence
 - Monitor airspeed when lightly loaded
 - Ensure passenger controls are removed
 - Recognition and recovery

CAUTION

Never practice/demonstrate low-G in flight.
Low-G training should be knowledge based only.

- Low RPM considerations (*Ref SNs 10, 24, and 29*)
 - Recognition and recovery
- Power failures (*Ref SNs 10, 24, and 29*)
 - Instinctive autorotation entry
 - Continuously consider emergency landing sites throughout every flight
- Practice autorotations (*Ref SN 38*)
 - Proven, safe methods

CAUTION

In-flight practice of Low RPM, power failures, and autorotations should only be conducted under the supervision of an instructor.

- Carburetor ice (*Ref SNs 25 and 31*)
 - Conditions conducive
 - Use of carb heat
- Confined area operations (*Ref SN 22*)
 - High and low reconnaissance
 - Assessing wind
 - Power margins

SAFETY NOTICES

The following Safety Notices have been issued by Robinson Helicopter Company as a result of various accidents and incidents. Studying the mistakes made by other pilots will help you avoid making the same errors. Safety Notices are available on the RHC website: www.robinsonheli.com.

SAFETY NOTICE

TITLE

SN-1	Inadvertent Actuation of Mixture Control in Flight
SN-9	Many Accidents Involve Dynamic Rollover
SN-10	Fatal Accidents Caused by Low RPM Rotor Stall
SN-11	Low-G Pushovers - Extremely Dangerous
SN-13	Do Not Attach Items to the Skids
SN-15	Fuel Exhaustion Can Be Fatal
SN-16	Power Lines Are Deadly
SN-17	Never Exit Helicopter with Engine Running Hold Controls When Boarding Passengers Never Land in Tall Dry Grass
SN-18	Loss of Visibility Can Be Fatal Overconfidence Prevails in Accidents
SN-19	Flying Low Over Water is Very Hazardous
SN-20	Beware of Demonstration or Initial Training Flights
SN-22	Vortex Ring State Avoidance, Recognition, and Recovery
SN-23	Walking into Tail Rotor Can Be Fatal
SN-24	Low RPM Rotor Stall Can Be Fatal
SN-25	Carburetor Ice
SN-26	Night Flight Plus Bad Weather Can Be Deadly
SN-27	Surprise Throttle Chops Can Be Deadly
SN-28	Listen for Impending Bearing Failure Clutch Light Warning
SN-29	Airplane Pilots High Risk When Flying Helicopters
SN-30	Loose Objects Can Be Fatal
SN-31	Governor Can Mask Carb Ice
SN-32	High Winds or Turbulence
SN-33	Drive Belt Slack
SN-34	Aerial Survey and Photo Flights - Very High Risk
SN-35	Flying Near Broadcast Towers
SN-36	Overspeeds During Liftoff
SN-37	Exceeding Approved Limitations Can Be Fatal
SN-38	Practice Autorotations Cause Many Training Accidents
SN-39	Unusual Vibration Can Indicate a Main Rotor Blade Crack
SN-40	Post-Crash Fires
SN-41	Pilot Distractions
SN-42	Unanticipated Yaw
SN-43	Use Extra Caution During Post-Maintenance Flights
SN-44	Carrying Passengers

Safety Notice SN-1

Issued: Jan 81 Rev: Feb 89; Jun 94

INADVERTENT ACTUATION OF MIXTURE CONTROL IN FLIGHT

Cases have been reported where a pilot inadvertently pulled the mixture control instead of the carb heat or other control, resulting in sudden and complete engine stoppage. The knobs are shaped differently and the mixture control has a guard which must be removed and a push-button lock which must be depressed before actuating. These differences should be stressed when checking out new pilots. Also, in the R22, it is a good practice to always reach around the left side of the cyclic control when actuating the lateral trim. This will lessen the chance of pulling the mixture control by mistake. Always use the small plastic guard which is placed on the mixture control prior to starting the engine and is not removed until the end of the flight when the idle cut-off is pulled. Replace the guard on the mixture control so it will be in place for the next flight.

If the mixture control is inadvertently pulled, lower the collective and enter autorotation. If there is sufficient altitude, push the mixture control in and restart the engine using the left hand. DO NOT disengage the clutch.

Safety Notices SN-2 thru SN-8 have been superseded or deleted.

Safety Notice SN-9

Issued: Jul 82 Rev: Jun 94

MANY ACCIDENTS INVOLVE DYNAMIC ROLLOVER

A dynamic rollover can occur whenever the landing gear contacts a fixed object, forcing the aircraft to pivot about the object instead of about its own center of gravity. The fixed object can be any obstacle or surface which prevents the skid from moving sideways. Once started, dynamic rollover cannot be stopped by application of opposite cyclic alone. For example, assume the right skid contacts an object and becomes the pivot point while the helicopter starts rolling to the right. Even with full left cyclic applied, the main rotor thrust vector will still pass on the left side of the pivot point and produce a rolling moment to the right instead of to the left. The thrust vector and its moment will follow the aircraft as it continues rolling to the right. Quickly applying down collective is the most effective way to stop a dynamic rollover.

To avoid a dynamic rollover:

- 1) Always practice hovering autorotations into the wind and never when the wind is gusty or over 10 knots.
- 2) Never hover close to fences, sprinklers, bushes, runway lights or other obstacles a skid could catch on.
- 3) Always use a two-step liftoff. Pull in just enough collective to be light on the skids and feel for equilibrium, then gently lift the helicopter into the air.
- 4) Do not practice hovering maneuvers close to the ground. Keep the skids at least five feet above the ground when practicing sideward or rearward flight.

Safety Notice SN-10

Issued: Oct 82 Rev: Feb 89; Jun 94

FATAL ACCIDENTS CAUSED BY LOW RPM ROTOR STALL

A primary cause of fatal accidents in light helicopters is failure to maintain rotor RPM. To avoid this, every pilot must have his reflexes conditioned so he will instantly add throttle and lower collective to maintain RPM in any emergency.

The R22 and R44 have demonstrated excellent crashworthiness as long as the pilot flies the aircraft all the way to the ground and executes a flare at the bottom to reduce his airspeed and rate of descent. Even when going down into rough terrain, trees, wires or water, he must force himself to lower the collective to maintain RPM until just before impact. The ship may roll over and be severely damaged, but the occupants have an excellent chance of walking away from it without injury.

Power available from the engine is directly proportional to RPM. If the RPM drops 10%, there is 10% less power. With less power, the helicopter will start to settle, and if the collective is raised to stop it from settling, the RPM will be pulled down even lower, causing the ship to settle even faster. If the pilot not only fails to lower collective, but instead pulls up on the collective to keep the ship from going down, the rotor will stall almost immediately. When it stalls, the blades will either "blow back" and cut off the tailcone or it will just stop flying, allowing the helicopter to fall at an extreme rate. In either case, the resulting crash is likely to be fatal.

No matter what causes the low rotor RPM, the pilot must first roll on throttle and lower the collective simultaneously to recover RPM **before** investigating the problem. It must be a conditioned reflex. In forward flight, applying aft cyclic to bleed off airspeed will also help recover lost RPM.

Safety Notice SN-11

Issued: Oct 82 Rev: Nov 00

LOW-G PUSHOVERS - EXTREMELY DANGEROUS

Pushing the cyclic forward following a pull-up or rapid climb, or even from level flight, produces a low-G (weightless) flight condition. If the helicopter is still pitching forward when the pilot applies aft cyclic to reload the rotor, the rotor disc may tilt aft relative to the fuselage before it is reloaded. The main rotor torque reaction will then combine with tail rotor thrust to produce a powerful right rolling moment on the fuselage. With no lift from the rotor, there is no lateral control to stop the rapid right roll and mast bumping can occur. Severe in-flight mast bumping usually results in main rotor shaft separation and/or rotor blade contact with the fuselage.

The rotor must be reloaded before lateral cyclic can stop the right roll. To reload the rotor, apply an immediate gentle aft cyclic, but avoid any large aft cyclic inputs. (The low-G which occurs during a rapid autorotation entry is not a problem because lowering collective reduces both rotor lift and rotor torque at the same time.)

Never attempt to demonstrate or experiment with low-G maneuvers, regardless of your skill or experience level. Even highly experienced test pilots have been killed investigating the low-G flight condition. Always use great care to avoid any maneuver which could result in a low-G condition. Low-G mast bumping accidents are almost always fatal.

NEVER PERFORM A LOW-G PUSHOVER!!

Safety Notice SN-12 has been superseded by SN-24

Safety Notice SN-13

Issued: Jan 83 Rev: Jun 94

DO NOT ATTACH ITEMS TO THE SKIDS

The landing gear strut elbows have cracked on several helicopters when the pilot attempted to carry an external load strapped to the landing gear skids. The landing gear is optimized to take high "up" loads. Consequently, it has very low strength in the opposite or "down" direction. Also, even a small weight attached to the landing gear may change the natural frequency enough to cause high loads due to inflight vibration. Do not attempt to carry any external load or object attached to the landing gear.

Safety Notice SN-14 has been superseded by SN-17, SN-27 and SN-28

Safety Notice SN-15

Issued: Aug 83 Rev: Jun 94

FUEL EXHAUSTION CAN BE FATAL

Many pilots underestimate the seriousness of fuel exhaustion. Running out of fuel is the same as a sudden total engine or drive system failure. When that occurs, the pilot must immediately enter autorotation and prepare for a forced landing. Refer to Section 3 of the Pilot's Operating Handbook under Power Failure. If autorotation is not entered immediately, the RPM will rapidly decay, the rotor will stall, and the results will likely be fatal. Serious or fatal accidents have occurred as a result of fuel exhaustion.

To insure this does not happen to you, observe the following precautions:

- 1) Never rely solely on the fuel gage or the low fuel warning light. These electromechanical devices have questionable reliability in any airplane or helicopter. Always record the hourmeter reading each time the fuel tanks are filled.
- 2) During your preflight:
 - a) Check the fuel level in the tanks visually.
 - b) Be sure the fuel caps are tight.
 - c) Drain a small quantity of fuel from each tank and the gascolator to check for water or other contamination.
- 3) Before takeoff:
 - a) Insure that the fuel valve is full on.
 - b) Be sure guard is placed on mixture control.
 - c) Plan your next fuel stop so you will have at least 20 minutes of fuel remaining.
- 4) In flight:
 - a) Continually check both hourmeter and fuel gages. If either indicates low fuel, LAND.
 - b) Always land to refuel before the main tank fuel gage reads less than 1/4 full.
 - c) NEVER allow the fuel quantity to become so low in flight that the low fuel warning light comes on.

Safety Notice SN-16

Issued: Apr 84 Rev: Jun 94

POWER LINES ARE DEADLY

Flying into wires, cables, and other objects is by far the number one cause of fatal accidents in helicopters. Pilots must constantly be on the alert for this very real hazard.

- * Watch for the towers; you will not see the wires in time.
 - * Fly directly over the towers when crossing power lines.
 - * Allow for the smaller, usually invisible, grounding wire(s) which are well above the larger more visible wires.
 - * Constantly scan the higher terrain on either side of your flight path for towers.
 - * Always maintain at least 500 feet AGL except during take-off and landing. By always flying above 500 feet AGL, you can virtually eliminate the primary cause of fatal accidents.
-

Safety Notice SN-17

Issued: Nov 84 Rev: Feb 89; Jun 94

NEVER EXIT HELICOPTER WITH ENGINE RUNNING

Several accidents have occurred when pilots momentarily left their helicopters unattended with the engine running and rotors turning. The collective can creep up, increasing both pitch and throttle, allowing the helicopter to lift off or roll out of control.

HOLD CONTROLS WHEN BOARDING PASSENGERS

It is important to firmly grip both cyclic and throttle while loading or unloading passengers with the engine running in case they inadvertently bump the controls or slide across the throttle, rolling it open.

NEVER LAND IN TALL DRY GRASS

The engine exhaust is very hot and can easily ignite tall grass or brush. One R22 was completely destroyed by fire after a normal landing in tall grass.

Safety Notice SN-18

Issued: Jan 85 Rev: Feb 89; Jun 94

LOSS OF VISIBILITY CAN BE FATAL

Flying a helicopter in obscured visibility due to fog, snow, low ceiling, or even a dark night can be fatal. Helicopters have less inherent stability and much faster roll and pitch rates than airplanes. Loss of the pilot's outside visual references, even for a moment, can result in disorientation, wrong control inputs, and an uncontrolled crash. This type of situation is likely to occur when a pilot attempts to fly through a partially obscured area and realizes too late that he is losing visibility. He loses control of the helicopter when he attempts a turn to regain visibility but is unable to complete the turn without visual references.

You must take corrective action before visibility is lost! Remember, unlike the airplane, the unique capability of the helicopter allows you to land and use alternate transportation during bad weather, provided you have the good judgement and necessary willpower to make the correct decision.

OVERCONFIDENCE PREVAILS IN ACCIDENTS

A personal trait most often found in pilots having serious accidents is overconfidence. High-time fixed-wing pilots transitioning into helicopters and private owners are particularly susceptible. Airplane pilots feel confident and relaxed in the air, but have not yet developed the control feel, coordination, and sensitivity demanded by a helicopter. Private owners are their own boss and can fly without discipline, enforced rules, or periodic flight checks and critique by a chief pilot. A private owner must depend on self-discipline, which is sometimes forgotten.

When flown properly and conservatively, helicopters are potentially the safest aircraft built. But helicopters are also probably the least forgiving. They must always be flown defensively. The pilot should allow himself a greater safety margin than he thinks will be necessary, just in case.

Safety Notice SN-19

Issued: Jul 85 Rev: Jun 94

FLYING LOW OVER WATER IS VERY HAZARDOUS

Many helicopter accidents have occurred while maneuvering low over water. Many pilots do not realize their loss of depth perception when flying over water. Flying over calm glassy water is particularly dangerous, but even choppy water, with its constantly varying surface, interferes with normal depth perception and may cause a pilot to misjudge his height above the water.

MAINTAIN 500 FEET AGL WHENEVER POSSIBLE AND AVOID MANEUVERS OVER WATER BELOW 200 FEET AGL.

Safety Notice SN-20

Issued: Sep 85 Rev: Jun 94

BEWARE OF DEMONSTRATION OR INITIAL TRAINING FLIGHTS

A disproportionate number of fatal and non-fatal accidents occur during demonstration or initial training flights. The accidents occur because individuals other than the pilot are allowed to manipulate the controls without being properly prepared or indoctrinated.

If a student begins to lose control of the aircraft, an experienced flight instructor can easily regain control provided the student does not make any large or abrupt control movements. If, however, the student becomes momentarily confused and makes a sudden large control input in the wrong direction, even the most experienced instructor may not be able to recover control. Instructors are usually prepared to handle the situation where the student loses control and does nothing, but they are seldom prepared for the student who loses control and does the wrong thing.

Before allowing someone to touch the controls of the aircraft, they must be thoroughly indoctrinated concerning the extreme sensitivity of the controls in a light helicopter. They must be firmly instructed to never make a large or sudden movement with the controls. And, the pilot-in-command must be prepared to instantly grip the controls should the student start to make a wrong move.

Safety Notice SN-21 has been deleted.

Safety Notice SN-22

Issued: July 1986 Revised: June 1994; October 2016, January 2024

VORTEX RING STATE AVOIDANCE, RECOGNITION, AND RECOVERY

A vertical descent or steep approach, particularly downwind, can cause the rotor to fly into its own downwash. At certain descent rates, large vortices develop as the downwash is recirculated through the rotor disk. This condition is known as vortex ring state (VRS). Once VRS exists, adding power (raising collective) can unexpectedly increase descent rate due to the increase in downwash recirculating through the rotor. Recovery can only be accomplished by moving the rotor disk out of its own downwash.

To avoid VRS, reduce rate of descent before reducing airspeed. A good rule to follow is never allow your airspeed to be less than 30 knots until your rate of descent is less than 300 feet per minute.

Signs that VRS is developing include increased vibration levels, decreased control authority ("mushy controls"), and a rapid increase in sink rate. Pilots should always be aware of wind conditions and plan descents to avoid VRS. Pilots should be particularly alert to the possibility of VRS during OGE hover operations or steep approaches.

A recovery should be initiated as soon as VRS is suspected. Early recognition and immediate recovery by moving the rotor out of its downwash is essential. Large control inputs are not necessary and should be avoided. After recovery, increasing collective and/or airspeed will help to avoid re-entering VRS.

Safety Notice SN-23

Issued: Jul 86 Rev: Jun 94

WALKING INTO TAIL ROTOR CAN BE FATAL

Non-pilot passengers have been killed by inadvertently walking into a rotating tail rotor. Every possible precaution must be taken by the pilot to prevent this tragic type of accident. The following rules should always be observed:

- 1) Never allow anyone to approach the helicopter unless they are escorted or have been properly instructed. If necessary, shut down and stop rotors before boarding passengers.
- 2) Always have strobe light flashing when rotors are turning.
- 3) Instruct passengers to establish and maintain eye contact with pilot when approaching helicopter. (This will force them to approach only from the nose or side, never the tail).
- 4) Instruct passengers to leave the helicopter in full view of the pilot and walk only around the nose, never the tail.
- 5) Be especially careful when landing off airports as unseen children or adults might approach the helicopter from the rear.

Safety Notice SN-24

Issued: Sep 86 Rev: Jun 94

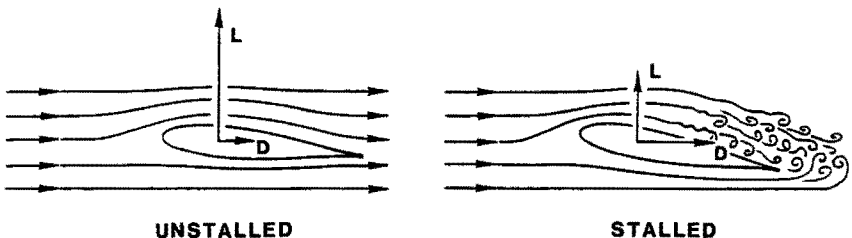
LOW RPM ROTOR STALL CAN BE FATAL

Rotor stall due to low RPM causes a very high percentage of helicopter accidents, both fatal and non-fatal. Frequently misunderstood, rotor stall is not to be confused with retreating tip stall which occurs only at high forward speeds when stall occurs over a small portion of the retreating blade tip. Retreating tip stall causes vibration and control problems, but the rotor is still very capable of providing sufficient lift to support the weight of the helicopter.

Rotor stall, on the other hand, can occur at any airspeed and when it does, the rotor stops producing the lift required to support the helicopter and the aircraft literally falls out of the sky. Fortunately, rotor stall accidents most often occur close to the ground during takeoff or landing and the helicopter falls only four or five feet. The helicopter is wrecked but the occupants survive. However, rotor stall also occurs at higher altitudes and when it happens at heights above 40 or 50 feet AGL it is most likely to be fatal.

Rotor stall is very similar to the stall of an airplane wing at low airspeeds. As the airspeed of an airplane gets lower, the nose-up angle, or angle-of-attack, of the wing must be higher for the wing to produce the lift required to support the weight of the airplane. At a critical angle (about 15 degrees), the airflow over the wing will separate and stall, causing a sudden loss of lift and a very large increase in drag. The airplane pilot recovers by lowering the nose of the airplane to reduce the wing angle-of-attack below stall and adds power to recover the lost airspeed.

The same thing happens during rotor stall with a helicopter except it occurs due to low rotor RPM instead of low airspeed. As the RPM of the rotor gets lower, the angle-of-attack of the rotor blades must be higher to generate the lift required to support the weight of the helicopter. Even if the collective is not raised by the pilot to provide the higher blade angle, the helicopter will start to descend until the



Wing or rotor blade unstalled and stalled.

Safety Notice SN-24 (continued)

upward movement of air to the rotor provides the necessary increase in blade angle-of-attack. As with the airplane wing, the blade airfoil will stall at a critical angle, resulting in a sudden loss of lift and a large increase in drag. The increased drag on the blades acts like a huge rotor brake causing the rotor RPM to rapidly decrease, further increasing the rotor stall. As the helicopter begins to fall, the upward rushing air continues to increase the angle-of-attack on the slowly rotating blades, making recovery virtually impossible, even with full down collective.

When the rotor stalls, it does not do so symmetrically because any forward airspeed of the helicopter will produce a higher airflow on the advancing blade than on the retreating blade. This causes the retreating blade to stall first, allowing it to dive as it goes aft while the advancing blade is still climbing as it goes forward. The resulting low aft blade and high forward blade become a rapid aft tilting of the rotor disc sometimes referred to as "rotor blow-back". Also, as the helicopter begins to fall, the upward flow of air under the tail surfaces tends to pitch the aircraft nose-down. These two effects, combined with aft cyclic by the pilot attempting to keep the nose from dropping, will frequently allow the rotor blades to blow back and chop off the tailboom as the stalled helicopter falls. Due to the magnitude of the forces involved and the flexibility of rotor blades, rotor teeter stops will not prevent the boom chop. The resulting boom chop, however, is academic, as the aircraft and its occupants are already doomed by the stalled rotor before the chop occurs.

Safety Notice SN-25

Issued: Dec 1986 Rev: Jul 2012

CARBURETOR ICE

Avoidable accidents have been attributed to engine stoppage due to carburetor ice. When used properly, the carburetor heat and carb heat assist systems on the R22 and R44 will prevent carburetor ice.

Pressure drops and fuel evaporation inside the carburetor cause significant cooling. Therefore, carburetor ice can occur at OATs as high as 30°C (86°F). Even in generally dry air, local conditions such as a nearby body of water can be conducive to carburetor ice. **When in doubt, assume conditions are conducive to carburetor ice and apply carb heat as required.**

For the R22 and R44, carburetor heat may be necessary during takeoff. Unlike airplanes which take off at full throttle, helicopters take off using power as required, making them vulnerable to carburetor ice. Also use full carb heat during run-up to preheat the induction system.

On aircraft equipped with the carb heat assist system, the control knob should be left unlatched unless it is obvious that conditions are not conducive to carburetor ice.

Carburetor heat reduces engine power output for a given manifold pressure. Approximately 1.5 in. Hg additional MAP is required to generate maximum continuous power (MCP) or takeoff power (TOP) with full heat applied. The additional MAP with carb heat does not overstress the engine or helicopter because power limits are still being observed. Since the engine is derated, it will produce TOP at lower altitudes even with full heat. However, avoid using more heat than required at high altitudes as the engine may reach full throttle at less than MCP or TOP.

Safety Notice SN-26

Issued: Jan 87 Rev: Jun 94

NIGHT FLIGHT PLUS BAD WEATHER CAN BE DEADLY

Many fatal accidents have occurred at night when the pilot attempted to fly in marginal weather after dark. The fatal accident rate during night flight is many times higher than during daylight hours.

When it is dark, the pilot cannot see wires or the bottom of clouds, nor low hanging scud or fog. Even when he does see it, he is unable to judge its altitude because there is no horizon for reference. He doesn't realize it is there until he has actually flown into it and suddenly loses his outside visual references and his ability to control the attitude of the helicopter. As helicopters are not inherently stable and have very high roll rates, the aircraft will quickly go out of control, resulting in a high velocity crash which is usually fatal.

Be sure you NEVER fly at night unless you have clear weather with unlimited or very high ceilings and plenty of celestial or ground lights for reference.

Safety Notice SN-27

Issued: Dec 87 Rev: Jun 94

SURPRISE THROTTLE CHOPS CAN BE DEADLY

Many flight instructors do not know how to give a student a simulated power failure safely. They may have learned how to respond to a throttle chop themselves, but they haven't learned how to prepare a student for a simulated power failure or how to handle a situation where the student's reactions are unexpected. The student may freeze on the controls, push the wrong pedal, raise instead of lower the collective, or just do nothing. The instructor must be prepared to handle any unexpected student reaction.

Before giving a simulated power failure, carefully prepare your student and be sure you have flown together enough to establish that critical understanding and communication between instructor and student. Go through the exercise together a number of times until the student's reactions are both correct and predictable. Never truly surprise the student. Tell him you are going to give him a simulated power failure a few minutes before, and when you roll off the throttle, loudly announce "power failure". The manifold pressure should be less than 21 inches and the throttle should be rolled off smoothly, never "chopped". Follow through on all controls and tighten the muscles in your right leg to prevent the student from pushing the wrong pedal if he becomes confused. And always assume that you will be required to complete the autorotation entry yourself. Never wait to see what the student does. Plan to initiate the recovery within one second, regardless of the student's reaction.

There have been instances when the engine has quit during simulated engine failures. As a precaution, always perform the simulated engine failure within glide distance of a smooth open area where you are certain you could complete a safe touch-down autorotation should it become necessary. Also, never practice simulated power failures until the engine is thoroughly warmed up. Wait until you have been flying for at least 15 to 20 minutes.

Safety Notice SN-28

Issued: Jul 1988 Rev: Jul 2012

LISTEN FOR IMPENDING BEARING FAILURE

An impending ball or roller bearing failure is usually preceded by a noticeable increase in noise. The noise will typically start several hours before the bearing actually fails or before there is any increase in bearing temperature. To detect pending failure of a drive system bearing, the pilot should uncover one ear and listen to the sound of the drive system during start-up and shutdown. After the pilot becomes familiar with the normal sound of the drive system, he should be able to detect the noise made by a failing bearing. The failing bearing will produce a loud whine, rumble, growl, or siren sound. Upon hearing an unusual noise, the pilot must immediately ground the aircraft and have the bearings thoroughly inspected by a qualified mechanic. Failure of a bearing in flight could result in a serious accident.

Do not rely on Telatemps to indicate impending bearing failure. A failing bearing may not run hot enough to black out the Telatemps until it actually starts to disintegrate. This may occur only seconds before complete failure.

CLUTCH LIGHT WARNING

It is normal for the clutch light to come on occasionally in flight for a short time (approximately 3 to 6 seconds) to re-tension the drive belts. If the clutch light flickers or does not go out within 10 seconds, it can indicate a belt or bearing failure. If abnormal clutch light indication occurs, pull clutch circuit breaker and reduce power. Select a safe landing site and make a precautionary landing to check drive system. If additional symptoms of drive system failure (smell of hot rubber, noise, or vibration) are present, land immediately. If tachometer needle split occurs, enter autorotation.

After landing, shut down and check the drive belts to insure that the belts are in their grooves and not damaged. Check the upper and lower actuator bearings for seal damage. Also check the Telatemp indicator readings. If drive system problems are found, have the aircraft inspected by a mechanic before further flight.

Safety Notice SN-29

Issued: Mar 93 Rev: Jun 94

AIRPLANE PILOTS HIGH RISK WHEN FLYING HELICOPTERS

There have been a number of fatal accidents involving experienced pilots who have many hours in airplanes but with only limited experience flying helicopters.

The ingrained reactions of an experienced airplane pilot can be deadly when flying a helicopter. The airplane pilot may fly the helicopter well when doing normal maneuvers under ordinary conditions when there is time to think about the proper control response. But when required to react suddenly under unexpected circumstances, he may revert to his airplane reactions and commit a fatal error. Under those conditions, his hands and feet move purely by reaction without conscious thought. Those reactions may well be based on his greater experience, i.e., the reactions developed flying airplanes.

For example, in an airplane his reaction to a warning horn (stall) would be to immediately go forward with the stick and add power. In a helicopter, application of forward stick when the pilot hears a horn (low RPM) would drive the RPM even lower and could result in rotor stall, especially if he also "adds power" (up collective). In less than one second the pilot could stall his rotor, causing the helicopter to fall out of the sky.

Another example is the reaction necessary to make the aircraft go down. If the helicopter pilot must suddenly descend to avoid a bird or another aircraft, he rapidly lowers the collective with very little movement of the cyclic stick. In the same situation, the airplane pilot would push the stick forward to dive. A rapid forward movement of the helicopter cyclic stick under these conditions would result in a low "G" condition which could cause mast bumping, resulting in separation of the rotor shaft or one blade striking the fuselage. A similar situation exists when terminating a climb after a pull-up. The airplane pilot does it with forward stick. The helicopter pilot must use his collective or a very gradual, gentle application of forward cyclic.

To stay alive in the helicopter, the experienced airplane pilot must devote considerable time and effort to developing safe helicopter reactions. The helicopter reactions must be stronger and take precedence over the pilot's airplane reactions because everything happens faster in a helicopter. The pilot does not have time to realize he made the wrong move, think about it, and then correct it. It's too late; the rotor has already stalled or a blade has already struck the airframe and there is no chance of recovery. To develop safe helicopter reactions, the airplane pilot must practice each procedure over and over again with a competent instructor until his hands and feet will always make the right move without requiring conscious thought. **AND, ABOVE ALL, HE MUST NEVER ABRUPTLY PUSH THE CYCLIC STICK FORWARD.**

Also see Safety Notices SN-11 and SN-24.

Safety Notice SN-30

Issued: Jun 94 Rev: Apr 2009

LOOSE OBJECTS CAN BE FATAL

Fatal accidents have occurred due to loose objects flying out of the cabin and striking the tail rotor. Any object striking the tail rotor can cause failure of a tail rotor blade. Loss of or damage to a tail rotor blade may cause a severe out-of-balance condition which can separate the tail rotor gearbox or entire tail assembly from the tailcone, resulting in a catastrophic accident. Accidents have also been caused by fuel caps, birds, and other objects striking the tail rotor. Before each flight perform the following:

- 1) Walk completely around the aircraft checking fuel cap security and tail rotor condition. Ensure no loose objects or debris in helicopter vicinity. Verify cotter rings or pins are installed in all door hinge pins.
- 2) Stow or secure all loose objects in the cabin. Even with doors on, items such as charts can be sucked out of a vent door.
- 3) Instruct passengers regarding the dangers of objects striking the tail rotor. Warn them never to throw anything from the helicopter or place items near vent doors where they could get sucked out.
- 4) Firmly latch all doors.
- 5) Never fly with a left door removed. (Remove only the right door for ventilation.)

Safety Notice SN-31

Issued: Dec 96

GOVERNOR CAN MASK CARB ICE

With throttle governor on, carb ice will not become apparent as a loss of either RPM or manifold pressure. The governor will automatically adjust throttle to maintain constant RPM which will also result in constant manifold pressure. When in doubt, apply carb heat as required to keep CAT out of yellow arc during hover, climb, or cruise, and apply full carb heat when manifold pressure is below 18 inches.

Also remember, if carb heat assist is used it will reduce carb heat when you lift off to a hover and the control may require readjustment in flight.

Safety Notice SN-32

Issued: Mar 1998

Revised: June 2020

HIGH WINDS OR TURBULENCE

Flying in high winds or turbulence should be avoided.

A pilot's improper application of control inputs in response to turbulence can increase the likelihood of a mast bumping accident. If turbulence is encountered, the following procedures are recommended:

1. Reduce power and use a slower than normal cruise speed. Mast bumping is less likely at lower airspeeds.
2. For significant* turbulence, reduce airspeed to 60–70 knots.
3. Tighten seat belt and rest right forearm on right leg to minimize unintentional control inputs. Some pilots may choose to apply a small amount of cyclic friction to further minimize unintentional inputs.
4. Do not overcontrol. Allow aircraft to go with the turbulence, then restore level flight with smooth, gentle control inputs. Momentary airspeed, heading, altitude, and RPM excursions are to be expected.
5. Avoid flying on the downwind side of hills, ridges, or tall buildings where turbulence will likely be most severe.

The helicopter is more susceptible to turbulence at light weight. Reduce speed and use caution when flying solo or lightly loaded.

*What is considered significant turbulence will depend on pilot experience and comfort level.

Safety Notice SN-33

Issued: March 1998

Revised: July 2013; July 2021

DRIVE BELT SLACK

Pilots must ensure R22 and R44 drive belts do not have excessive slack during engine start. Belts that are too loose may jump out of their sheave grooves while being tensioned, but the pilot has no way of observing this. Therefore, the following checklist items are very important.

1. Per preflight checklist, with clutch disengaged, deflect belts inboard just above fan scroll on aircraft right side. Verify a maximum of 1.5 inches (4 cm) deflection. If belts deflect further, have belt tension actuator adjusted prior to flight.
2. Per run-up checklist, verify rotor turns within 5 seconds after engaging clutch switch. If time is longer, shut down and have belt tension actuator adjusted prior to flight.

Safety Notice SN-34

Issued: Mar 99 Rev: Apr 2009

AERIAL SURVEY AND PHOTO FLIGHTS – VERY HIGH RISK

There is a misconception that aerial survey and photo flights can be flown safely by low time pilots. Not true. There have been numerous fatal accidents during aerial survey and photo flights, including several involving Robinson helicopters.

Often, to please the observer or photographer, an inexperienced pilot will slow the helicopter to less than 30 KIAS and then attempt to maneuver for the best viewing angle. While maneuvering, the pilot may lose track of airspeed and wind conditions. The helicopter can rapidly lose translational lift and begin to settle. An inexperienced pilot may raise the collective to stop the descent. This can reduce RPM thereby reducing power available and causing an even greater descent rate and further loss of RPM. Rolling on throttle will increase rotor torque but not power available due to the low RPM. Because tail rotor thrust is proportional to the square of RPM, if the RPM drops below 80% nearly one-half of the tail rotor thrust is lost and the helicopter will rotate nose right. Suddenly the decreasing RPM also causes the main rotor to stall and the helicopter falls rapidly while continuing to rotate. The resulting impact is usually fatal.

Aerial survey and photo flights should only be conducted by well trained, experienced pilots who:

- 1) Have at least 500 hours pilot-in-command in helicopters and over 100 hours in the model flown;
- 2) Have extensive training in both low RPM and settling-with-power recovery techniques;
- 3) Are willing to say no to the observer or photographer and only fly the aircraft at speeds, altitudes, and wind angles that are safe and allow good escape routes.

Also see Safety Notice SN-24.

Safety Notice SN-35

Issued: Apr 1999

Revised: Feb 2016

FLYING NEAR BROADCAST TOWERS

High-power radio broadcast towers (typically 50 kW or greater) may generate Electromagnetic Interference (EMI) with helicopter electrical systems and electronic equipment. Early indications of a high-power radio field can be considerable radio squelch break or static in the intercom system. More severe effects may include random illumination of warning lights or erratic engine governor and tachometer operation. In the worst cases, the governor may attempt to fully open or close the throttle. If the pilot is not ready to counteract a governor malfunction, a low-RPM condition or overspeed may occur.

Radio field strength decreases rapidly as distance from a transmitting antenna increases. To minimize the probability of encountering EMI, do not fly within ½ mile of high-power broadcast towers.

If EMI is inadvertently encountered:

- Do not become distracted trying to adjust the radio or audio system.
- Keep one hand on the throttle twist grip and feel for normal operation. If operation is abnormal, tighten grip to override governor and control throttle manually. If desired, governor may be switched off until helicopter is clear of the EMI area.
- Monitor tachometer, engine instruments, and warning lights carefully. Use caution not to overreact to a false instrument or warning light indication.
- Following a flight where EMI was encountered, have electrical system and installed electronic equipment assessed by qualified maintenance personnel.

The location and height of radio broadcast towers are marked on aeronautical charts. However, transmitter power and frequency are not. While all broadcast towers should be circumnavigated at a safe distance, those in the HF/Short Wave band have the highest likelihood of causing EMI. A list of such towers for the United States can be found on the Robinson Helicopter Company website at www.robinsonheli.com/sn35antennas. The list was compiled from a Federal Communications Commission (FCC) database of HF/Shortwave stations. Appropriate agencies in other countries may be able to provide similar databases.

Safety Notice SN-36

Issued: Nov 00

OVERSPEEDS DURING LIFTOFF

Helicopters have been severely damaged by RPM overspeeds during liftoff. The overspeeds caused a tail rotor drive shaft vibration which led to immediate failure of shaft and tailcone. Throughout the normal RPM range, tail rotor shaft vibration is controlled by damper bearing. However, damper is not effective above 120% RPM.

Mechanical correlation can cause overspeed during liftoff if RPM is increased to normal flight settings and collective raised before governor is switched on. Overspeeds can also occur if throttle is gripped too firmly during liftoff causing governor to be overridden. Inexperienced pilots, who are most likely to be nervous or distracted, are particularly susceptible to this type of overspeed.

To avoid overspeeds during liftoff:

1. Always confirm governor on before increasing RPM above 80%.
2. Verify governor stabilizes engine RPM near top of green arc.
3. Maintain relaxed grip on throttle allowing governor to control RPM.

Safety Notice SN-37

Issued: Dec 01

EXCEEDING APPROVED LIMITATIONS CAN BE FATAL

Many pilots do not understand metal fatigue. Each time a metal component is loaded to a stress level above its fatigue limit, hidden damage occurs within the metal. There is no inspection method which can detect this invisible fatigue damage. The first indication will be a tiny microscopic crack in the metal, often hidden from view. The crack will grow with each repetition of the critical stress until the part suddenly breaks. Crack growth will occur quite rapidly in drive system parts from the high frequency torsional loads. It will also occur rapidly in rotor system components due to the high centrifugal force on the blades and hub. Damaging fatigue cycles occur with every revolution of an overloaded drive shaft or rotor blade.

If a pilot exceeds the power or airspeed limits on a few occasions without failure, he may be misled into believing he can safely operate at those high loads. Not true. Every second the limitations are exceeded, more stress cycles occur and additional fatigue damage can accumulate within the metal. Eventually, a fatigue crack will begin and grow until a sudden failure occurs. If the pilot is lucky, the part will have reached its approved service life and be replaced before failure. If not, there will likely be a serious or fatal accident.

WARNING

- 1) Always operate the aircraft well below its approved Vne (never exceed speed), especially in turbulent wind conditions.
- 2) Do not operate the engine above its placarded manifold pressure limits.
- 3) Do not load the aircraft above its approved gross weight limit.
- 4) **The most damaging conditions occur when flying or maneuvering at high airspeeds combined with high power settings.**

Safety Notice SN-38

Issued: Jul 2003 Rev: Jul 2019

PRACTICE AUTOROTATIONS CAUSE MANY TRAINING ACCIDENTS

Practice autorotations continue to be the number one cause of helicopter training accidents. Many of these accidents occur because the instructor fails to take decisive action.

Instructors should always perform the following "100 Foot Decision Check":

- 1) Rotor RPM approximately 100%
- 2) Stabilized airspeed between 60 and 70 KIAS
- 3) Stabilized rate of descent, usually less than 1500 ft/min.
- 4) Turns (if any) completed

Prior to descending below 100 feet AGL, the instructor must make the decision to take the flight controls and make an immediate power recovery if any of the above parameters is not correct. Do not attempt to salvage the situation by coaching the student or trying to correct below 100 feet AGL. At density altitudes above 4000 feet, increase the decision check to 200 feet AGL or higher.

If the decision to continue is made, the instructor should announce "100 Foot Check complete, continue".

A high percentage of training accidents occur after many consecutive autorotations. To maintain instructor focus and minimize student fatigue, limit practice to no more than 3 or 4 consecutive autorotations.

The purpose of the practice autorotation is to teach control and maneuvering during the glide, proper use of the flare, and the power recovery (or landing). While simulated power failure/forced landing practice may involve more abrupt power reduction, practice autorotation entries should be accomplished smoothly and slowly in accordance with the Robinson Flight Training Guide.

Safety Notice SN-39

Issued: Jul 2003

UNUSUAL VIBRATION CAN INDICATE A MAIN ROTOR BLADE CRACK

A catastrophic rotor blade fatigue failure can be averted if pilots and mechanics are alert to early indications of a fatigue crack. Although a crack may be internal to blade structure and not visible, it will likely cause a significant increase in rotor vibration prior to final failure. If a rotor is smooth after balancing but then goes out of balance again within a few flights, it should be considered suspect. Have the rotor system thoroughly examined by a qualified mechanic before further flight.

If main rotor vibration rapidly increases or becomes severe during flight, make an immediate safe landing. Do not attempt to continue flight to a convenient destination.

Safety Notice SN-40

Issued: July 2006 Rev: May 2013

POST-CRASH FIRES

There have been a number of cases where helicopter or light plane occupants were severely burned by fire following an accident. Fire-retardant Nomex flight apparel reduces the likelihood of severe burns. Military, law-enforcement, medical, and other organizations often require Nomex apparel for every flight. Pilots should consider the benefits of fire-retardant clothing and brief or equip all occupants accordingly.

Safety Notice SN-41

Issued: May 2013 Revised: July 2021

PILOT DISTRACTIONS

Pilot distractions from mobile phones have been the cause of several recent fatal accidents.

Modern avionics and personal electronic devices, in particular mobile phones, can easily divert the pilot's attention from the primary duty of controlling the helicopter. Reading charts and attending to passengers are other common distractions.

During flight, be conscious of distractions and vigilant about keeping eyes focused outside as much as possible. Any avionics programming that takes more than a few seconds should be done while on the ground. Mobile phones should be carried in case of an unscheduled or emergency landing but should never be used by the pilot during flight.

When hovering, keep both hands on the controls. If tuning a radio or other task is required, first land and reduce collective pitch. When dealing with distractions in forward flight, reduce power, slow down, and frequently look outside to verify straight and level flight.

Occasionally, pilots neglect to latch a door before taking off. Never attempt to latch a door while hovering or in flight. It is safer to land before closing a door.

Safety Notice SN-42

Issued: May 2013 Rev: Jul 2019

UNANTICIPATED YAW

A pilot's failure to apply proper pedal inputs in response to strong or gusty winds during hover or low-speed flight may result in an unanticipated yaw. Some pilots mistakenly attribute this yaw to loss of tail rotor effectiveness (LTE), implying that the tail rotor stalled or was unable to provide adequate thrust. Tail rotors on Robinson helicopters are designed to have more authority than many other helicopters and are unlikely to experience LTE.

To avoid unanticipated yaw, pilots should be aware of conditions (a left crosswind, for example) that may require large or rapid pedal inputs. Practicing slow, steady-rate hovering pedal turns will help maintain proficiency in controlling yaw. Hover training with a qualified instructor in varying wind conditions may also be helpful.

Note that thrust of any tail rotor decreases significantly as RPM decreases. Low RPM combined with high torque, as occurs when over-pitching, may result in an uncontrollable right yaw (see also Safety Notice SN-34).

Safety Notice SN-43

Issued: January 2015

USE EXTRA CAUTION DURING POST-MAINTENANCE FLIGHTS

A number of fatal accidents have occurred during flights immediately following maintenance. In several cases, the cause was incorrect or incomplete reassembly of the helicopter, and the error would have been detectable during a careful preflight inspection.

Even the best maintenance personnel can become distracted and make a mistake. Pilots should conduct an especially thorough preflight inspection after maintenance has been performed. If possible, speak to the technicians who performed the work, find out exactly what was done, and pay special attention to those areas. Professional maintenance personnel will appreciate the pilot's commitment to safety and will welcome an additional check of their work.

Any work done on the flight control system deserves special attention because a flight control disconnect is almost always catastrophic. During track and balance work, always climb up to the rotor head for a close inspection of the pitch link and control tube fasteners after each adjustment. Never rush or skip preflight steps.

Safety Notice SN-44

Issued: February 2017 Revised: June 2017

CARRYING PASSENGERS

Carrying passengers is an additional responsibility for the pilot in command. Passengers have placed their trust entirely in the hands of the pilot and should be advised of risks associated with the flight. Risks include pilot experience level, aircraft capability, and operational considerations such as flight over water or night flight. Carrying a passenger in and of itself increases risk because passengers add workload and distractions.

Passenger Briefings

Always conduct a passenger safety briefing before allowing a passenger on board. Passenger safety briefings should include:

- Risks: A discussion of the risks associated with the flight. Ensure passengers know that you will be happy to cancel or discontinue a flight if anyone is uncomfortable.
- Entry and exit: Have passengers demonstrate proper operation of seatbelts and doors. Brief safe emergency entry and exit paths (away from tail rotor and within pilot's view). Do not board or disembark passengers with rotors turning unless procedures (such as ground escorts) are established before the flight.
- Aircraft controls: Always remove passenger-side controls. Ensure passengers secure any personal items brought on board. Caution passengers against inadvertently bumping the cyclic center post. Ensure passengers know how to operate headsets and intercom system.
- Expectations for the flight: Adhering to fixed schedules or flying over landmarks may not be possible due to weather, airspace, or performance limitations. If passengers are aware of these limitations prior to the flight, there will be less pressure for the pilot to attempt a task beyond his comfort or experience level.
- High workload times: Passengers should always tell the pilot about safety-related items such as traffic but should refrain from unnecessary conversation during takeoff, landing, and radio communications.

Safety Notice SN-44 (continued)

Newly-Rated Pilots

Accident data shows that new pilots carrying passengers have high accident rates. The workload and distractions added by passengers are magnified for new pilots who may still be getting used to the aircraft and operating environment. Newly-rated helicopter pilots:

- Should not carry passengers until accumulating 100 total hours helicopter experience including 20 hours pilot in command in type after receiving their helicopter rating.
- Should only fly in daylight with good VFR conditions and low winds.
- For the first several passenger-carrying flights, should limit flight to a local, familiar area.

Related Safety Notices

- SN-30 (doors-off flight with passengers is not recommended unless they have significant helicopter familiarity).
- SN-34 (photo missions have risks well beyond regular passenger carrying flights and require specific training and experience).