

CHAPTER 64

TAIL ROTOR

<i>Figure</i>	<i>Title</i>	<i>Page</i>
64-1	Tail Rotor Assembly	64.0
64-5	Tail Rotor Assembly	64.4
64-9	Hub Assembly	64.8

FIGURE AND INDEX NUMBER	PART NUMBER	DESCRIPTION	PARTS AVAIL	QTY PER ASSY
TAIL ROTOR ASSEMBLY				
64-1-1	C008-9	Tail Rotor Assembly (Incl items 2 thru 10, 12 thru 17, 19, 24, 25, and 30)	X	1
2	C029-3*	Blade Assembly	O	2
3	F137-1	Spacer (0.158 inch long)	X	2
4	F137-2	Spacer (0.231 inch long)	X	2
5	C137-1	Spacer (0.345 inch long)	X	4
6	B330-19	Palnut	X	2
7	D210-6	Nut	X	3
8	NAS1149F0663P	Washer (or NAS1149F0632P NAS1149F0663P, NAS1149D0632J, NAS1149D0663J, C141-23, or C141-24; any combination as required for balance; [4] required for each blade)	X	8
9	NAS1149F0632P	Washer	X	4
10	NAS6606-36	Bolt	X	2
11	C031-1	Pitch Control Assembly (Ref, see also Figure 65-7)		
12	B330-16	Palnut	X	2
13	D210-5	Nut	X	2
14	C138-2	Bushing (install with wet primer)	X	2
15	G062-1	Hub Assembly (Incl items 6, 7, 9, 26, and 27)	X	1
	G062-2	Hub	O	1
16	NAS1149F0532P	Washer	X	2
17	NAS6605-34	Bolt	X	2
18	NAS6604-16	Bolt	X	2
19	A214-3	Washer (0.688 inch dia.)	X	4
20	A115-1	Spacer – Rod End	X	8
21	B345-4	Link	X	2
22	NAS1149F0432P	Washer	X	4
23	D210-4	Nut	X	5
24	B330-13	Palnut	X	4
25	NAS6604-17 to -22	Bolt (increase length to add washer to weights)	X	2
26	NAS6606-53	Bolt	X	1
27	B361-2**	Bearing	X	2
28	NAS1149F0463P	Washer (or NAS1149F0432P, NAS1149F0463P, A141-14, NAS1149D0432J, NAS1149D0463J, or A214-3 as required for balance)	X	A/R
29	C119-2	Bumper (black)	X	1

NOTES * Critical part; see R44 Maintenance Manual.
 ** MT556-11 tools required to install bearing. See Figure 99-19.

Continues

FIGURE AND INDEX NUMBER	PART NUMBER	DESCRIPTION	PARTS AVAIL	QTY PER ASSY
TAIL ROTOR ASSEMBLY (Cont'd)				
64-1-30 31	A141-14 A651-1	Washer (0.750 in. dia.) Data Plate (Ref)	X	1
NOTES				

Intentionally Blank

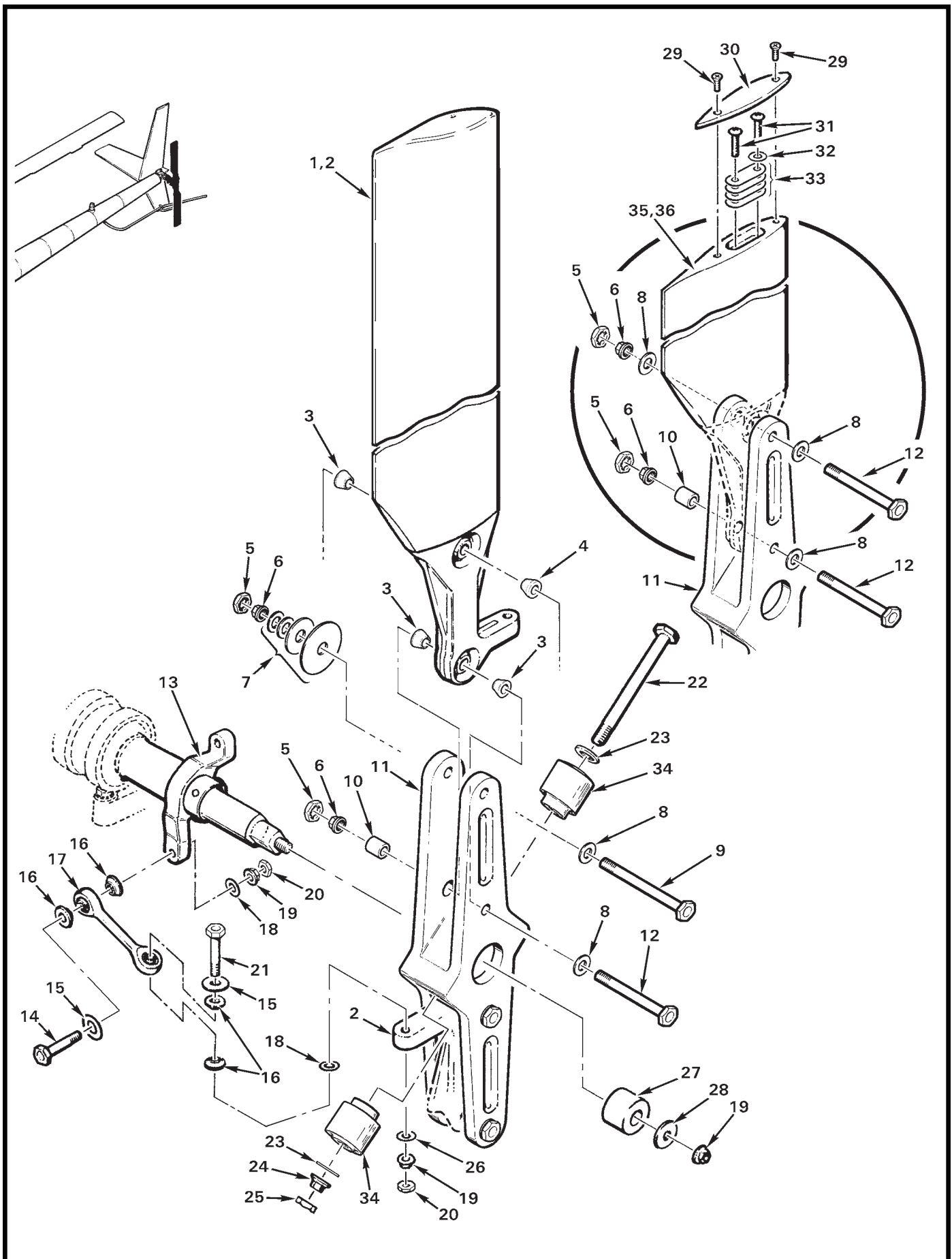


FIGURE AND INDEX NUMBER	PART NUMBER	DESCRIPTION	PARTS AVAIL	QTY PER ASSY
TAIL ROTOR ASSEMBLY				
64-5-1	C008-4*	Tail Rotor Assembly – Round Tip Blades (Ref, no longer available. Superseded by C008-9 Tail Rotor Assembly, see Figure 64-1.)		
2	C029-2*	Blade Assembly – Round Tip (Ref, no longer available.)		
3	C137-1	Spacer	X	6
4	C137-2	Spacer	X	2
5	B330-16	Palnut	X	4
6	D210-5	Nut	X	4
7	NAS1149F0563P	Washer (or AN970-5, NAS1149F0532P, NAS1149D0532J, NAS1149D0563J, C141-20, or any combination as required for balance; [4] required for each blade)	X	4
8	NAS1149F0532P	Washer ([4] required with item 35)	X	6
9	NAS6606-34	Bolt	X	2
10	C138-1	Bushing	X	2
11	D062-1	Hub Assembly (No longer available. Superseded by C008-9 Tail Rotor Assembly, see Figure 64-1.)	O	1
	D062-2	Tail Rotor Hub (life-limited component, see MM § 3.100)	O	1
12	NAS6605-31	Bolt ([4] required with item 35)	X	2
13	C031-1	Pitch Control Assembly (Ref, see Figure 65-7)		
14	NAS6604-16	Bolt	X	A/R
15	A214-3	Washer	X	4
16	A115-1	Spacer	X	8
17	B345-4	Link (ship S/N 0160 and higher)	X	2
18	NAS1149F0432P	Washer	X	4
19	D210-4	Nut	X	5
20	B330-13	Palnut	X	5
21	NAS6604-17 to -22	Bolt (increase length to add washer weights)	X	2
22	NAS6606-53	Bolt	X	1
23	NAS1149F0632P	Washer	X	2
24	D210-6	Nut	X	1
25	B330-19	Palnut	X	1
26	NAS1149F0463P	Washer (or A141-14, NAS1149F0432P, NAS1149D0432J, NAS1149D0463J, or A214-3 as required for balance)	X	A/R

NOTES * Ship S/N 10001 and subsequent.

Continues

FIGURE AND INDEX NUMBER	PART NUMBER	DESCRIPTION	PARTS AVAIL	QTY PER ASSY
TAIL ROTOR ASSEMBLY (Cont'd)				
64-5-27	C119-2	Bumper (black)	X	1
28	A141-14	Washer	X	1
29	MS24694-S4	Screw	X	4
30	C610-1	Tip Cover	X	2
31	NAS602-12	Screw (or NAS602-14P, as required for balance)	X	4
32	NAS1149FN816P	Washer (or NAS1149FN832P, as required for balance)	X	A/R
33	C134-1	Balance Weight (0.032 in. thick steel, as required for balance)	X	A/R
34	B361-2*	Bearing	X	2
* * *				
35	C008-2	Tail Rotor Assembly – Square Tip Blades (Ref, no longer available. Superseded by C008-9 Tail Rotor Assembly; see Figure 64-1.)		
36	C029-1	Blade Assembly – Square Tip (Ref, no longer available.)		

NOTES * MT556-11 tools required to install bearing. See Figure 99-11.

Intentionally Blank

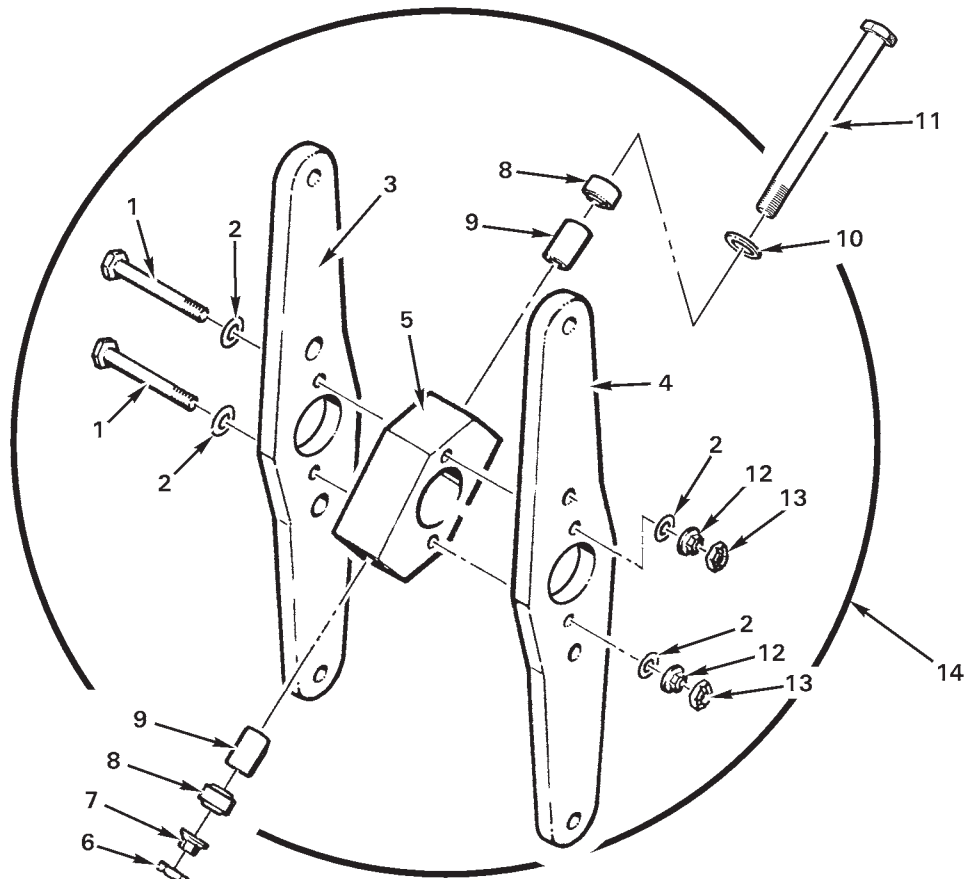
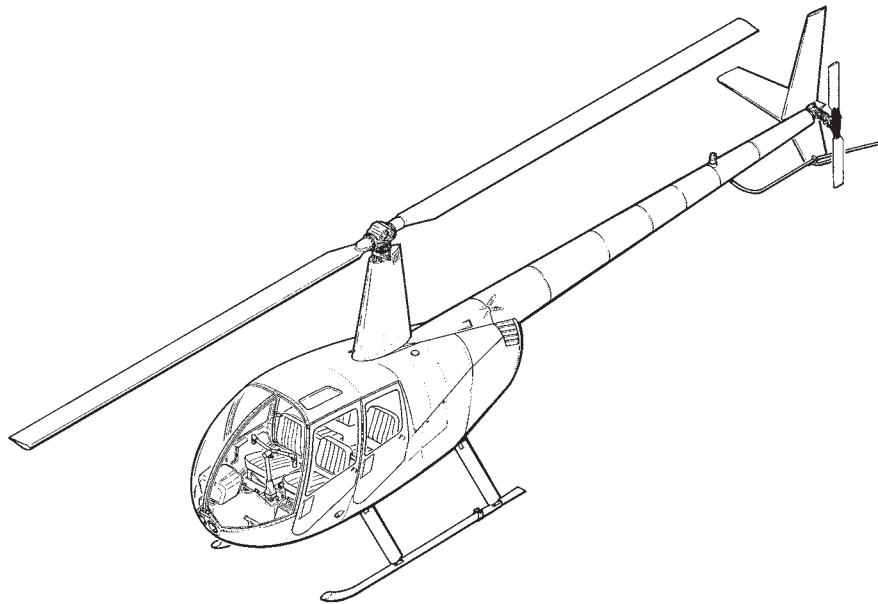


FIGURE AND INDEX NUMBER	PART NUMBER	DESCRIPTION	PARTS AVAIL	QTY PER ASSY
HUB ASSEMBLY				
64-9-1	NAS6604-31	Bolt	X	2
2	NAS1149F0432P	Washer	X	4
3	C129-2*	Hub Plate – Inboard	O	1
4	C129-1*	Hub Plate – Outboard	O	1
5	C128-1*	Hub	O	1
6	B330-19	Palnut	X	1
7	D210-6	Nut	X	1
8	D115-1	Bearing	X	2
9	C130-1	Spacer	X	2
10	C127-1	Washer (ship S/N 0220 and higher)	X	1
11	NAS6606-54**	Bolt	X	1
12	D210-4	Nut	X	2
13	B330-13	Palnut	X	2
14	C030-1*	Hub Assembly (Ref; includes items 1 thru 13)		

NOTES * Ref, no longer available. Superseded by C008-9 Tail Rotor Assembly, see Figure 64-1.
 ** For ship S/N 0001 thru 0219, replace NAS6606-53 bolt with NAS6606-54 bolt and C127-1 washer (item 10).

Intentionally Blank