

ROBINSON HELICOPTER COMPANY

R66 ILLUSTRATED PARTS CATALOG

RTR 660 VOLUME II

Production Certificate Number 424WE

Type Certificate Number R00015LA



Robinson Helicopter Company
2901 Airport Drive
Torrance, California 90505-6115
United States of America

Phone: (310) 539-0508
Fax: (310) 539-5198
Web: <https://robinsonheli.com>

OFFICE HOURS

Monday through Friday, 7:30 a.m. to 4:30 p.m., Pacific Time.
Lunch hour is 11:30 a.m. to 12:30 p.m.

HOLIDAYS

Please visit <https://robinsonheli.com> for a list of holidays and company shutdowns.

CUSTOMER SUPPORT AND SPARES ORDERS

Please visit <https://robinsonheli.com> for Customer Support contact information. Procure parts from any R66 Dealer or Service Center, or order directly from RHC Customer Service via email, fax, or phone.

PUBLICATIONS

Viewing RHC Maintenance Manuals (MMs) and Illustrated Parts Catalogs (IPCs) online at <https://robinsonheli.com> is recommended to ensure use of current data. Viewing MMs and IPCs offline via paper or digital download requires verification that the data is current. Refer to the online MM or IPC Revision Log for the list of current pages.

SUBSCRIPTION ORDER AND RENEWAL FORMS

Subscription order and renewal forms are located at <https://robinsonheli.com>.

WARRANTY INFORMATION

Helicopter and parts warranty information is located at <https://robinsonheli.com>.

CHAPTER 8

WEIGHT AND BALANCE

<i>Figure</i>	<i>Title</i>	<i>Page</i>
8-1	Ballast Installation	8.0

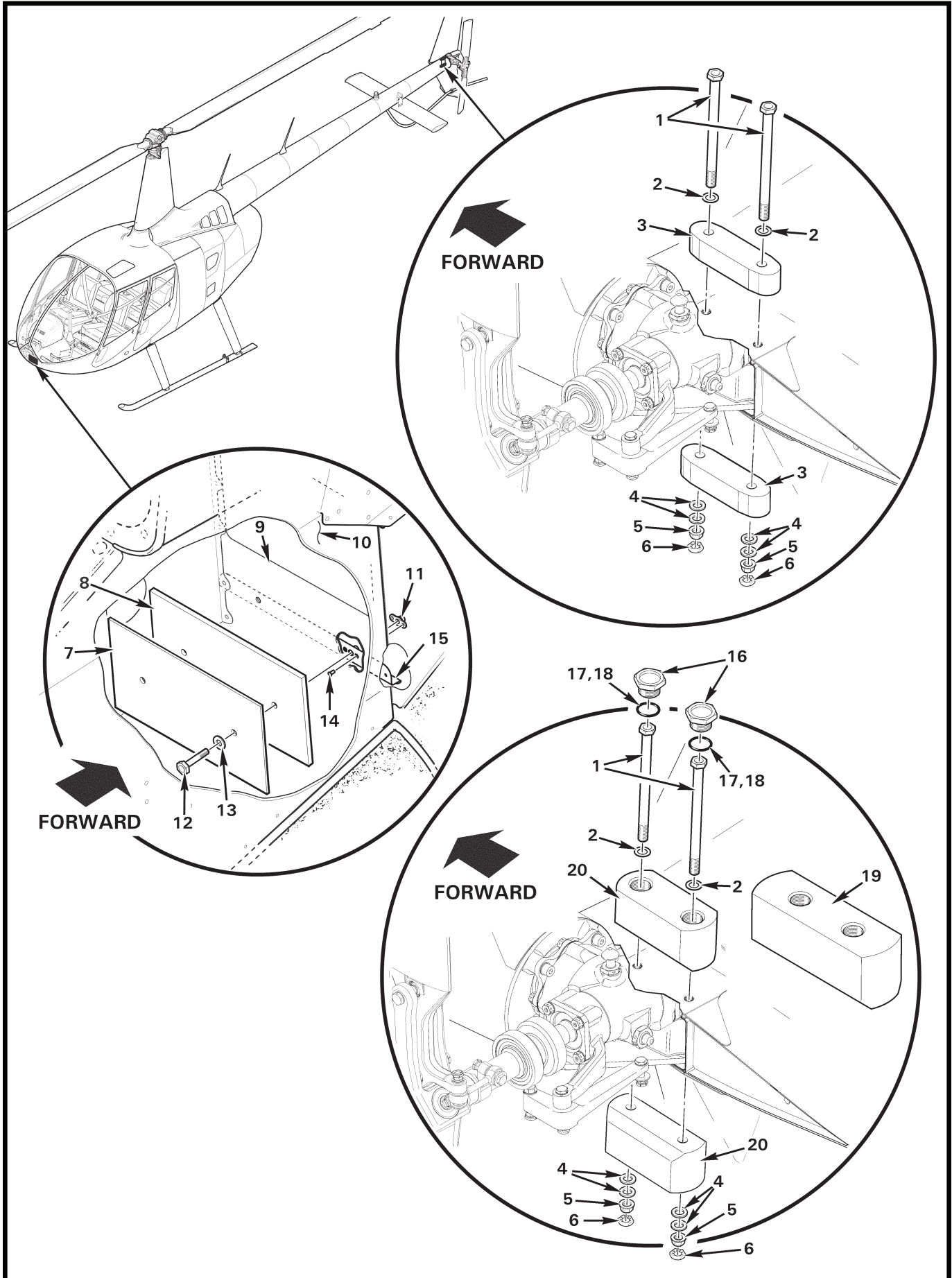


FIGURE AND INDEX NUMBER	PART NUMBER	DESCRIPTION	PARTS AVAIL	QTY PER ASSY
BALLAST INSTALLATION				
8-1-1	NAS6606-78	Bolt (replaces NAS6606-47 Bolt)	X	2
2	NAS1149F0632P	Washer	X	2
3	D301-2*	Weight (1.5 lb; 4.65-in. x 1-in.)	X	A/R
4	NAS1149F0663P	Washer ([1] or [2] under nut as required for 1 to 4 threads exposed)	X	A/R
5	D210-6	Nut	X	2
6	B330-19	Palnut	X	2
7	A941-5**	Ballast Plate (0.25 lb)	X	A/R
8	A941-6**	Ballast Plate (1.25 lb)	X	A/R
9	F361-1	Console Panel (Ref)		
10	F033	Lower Console Assembly (Ref)		
11	MS21069L3	Nutplate (Ref)		
12	NAS6603	Bolt (Select bolt length to meet torque requirements per R66 MM § 20-30 Part E. NAS428-3A14 or shorter with excess threads exposed optional.)	X	2
13	NAS1149F0332P	Washer	X	2
14	NAS1097AD3	Rivet (Ref)		
15	C360-4	Stiffener Assembly (Ref)		
16	AN814-10D	Plug	X	2
17	A215-018	O-ring (install using item 18)	X	2
18	A257-18	Lube – O-ring	X	A/R
19	D301-8*	Weight (10.5 lb; 6.8-in. x 2.75-in.)	X	A/R
20	D301-4*	Weight (4.5 lb; 4.75-in. x 2-in.)	X	A/R
* * *				
21	KI-174	Empennage 3.0 lb Ballast Installation Kit (Includes items 1 thru 6. See https://robinsonheli.com for kit contents and instructions.)	X	A/R

NOTES * Maximum allowable empennage ballast is 9.0 lb (except Police & ENG versions). One upper and one lower weight are required. Available combinations provide total weight of 3, 6, 9, 12, 15, & 21 lb. Refer to R66 MM Chapter 8 to determine fixed ballast requirements.
 ** Maximum allowable nose ballast is 15 lb. Refer to R66 MM Chapter 8 to determine fixed ballast requirements.

Intentionally Blank

CHAPTER 33

LIGHTS

<i>Figure</i>	<i>Title</i>	<i>Page</i>
33-1	Strobe Light Installation	33.0
33-3	Navigation Lights Installation	33.2
33-7	HID Landing Lights Installation	33.6
33-9	Cabin Interior Lighting Installation	33.8
33-13	Spotlight Installation	33.12
33-15	MRGB LED Light System	33.14

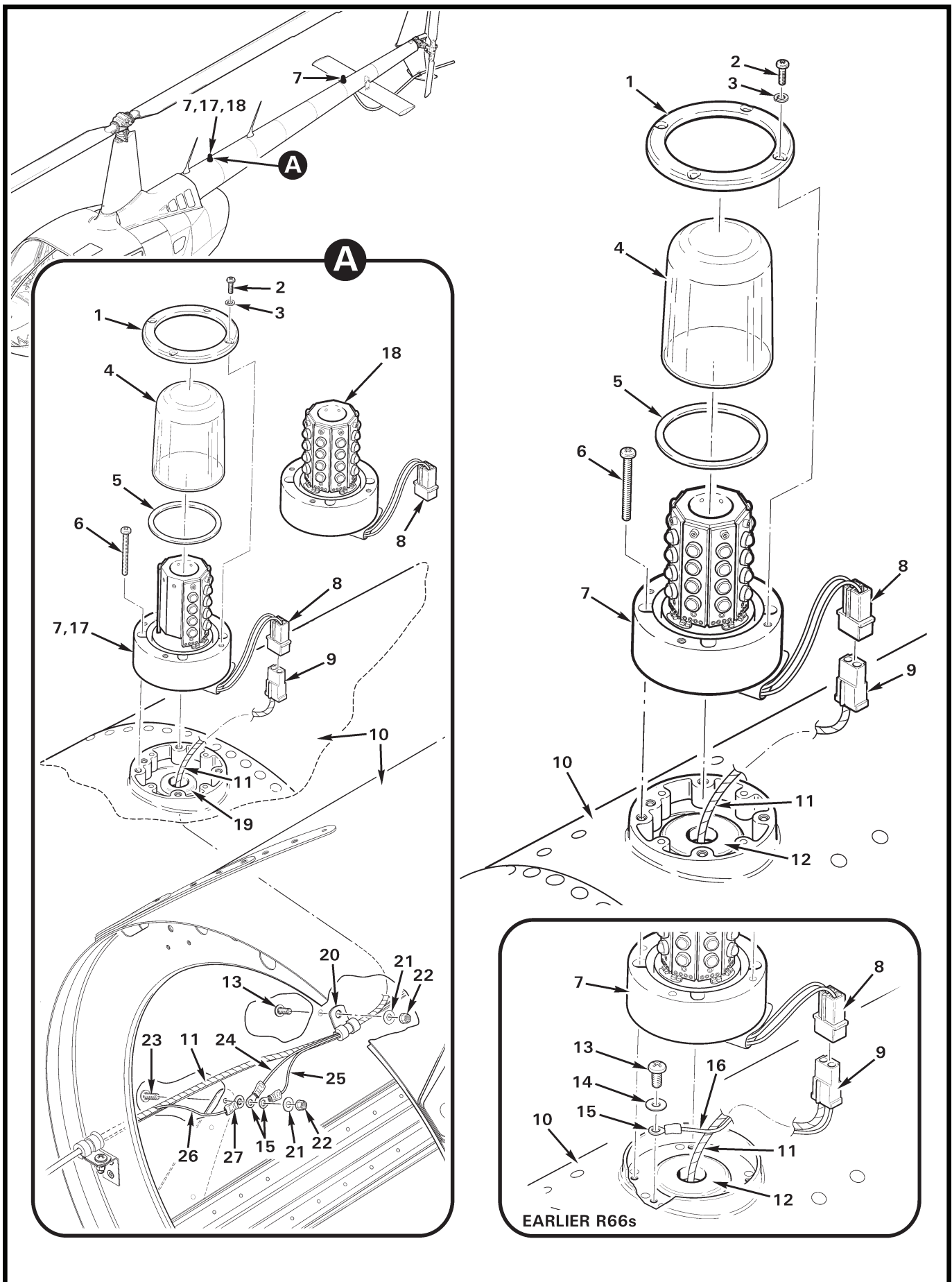


FIGURE AND INDEX NUMBER	PART NUMBER	DESCRIPTION	PARTS AVAIL	QTY PER ASSY
STROBE LIGHT INSTALLATION				
33-1-1	19-171047-100*	Retainer	O	1
2	14-0050505-14*	Screw	O	4
3	16-0050506135*	Lockwasher (MS35338-135)	O	4
4	68-4971082A30*	Lens	O	1
5	38-0250885-00*	Gasket	O	1
6	MS35206-234	Screw	X	4
7	A708-13**	Strobe Light Assembly – Red LED (Incl items 1 thru 5, and 8)	X	1
8	02-0230007-00*	Housing	O	1
	—	Pin	O	2
9	B263-13	Housing	X	1
	B263-2	Socket	X	2
10	C023	Tailcone Assembly (Ref)		
11	B161-2	Spirap	X	A/R
12	MS35489-15	Grommet	X	1
13	MS27039C0806	Screw (or MS27039C0805, ENG ships)	X	1
14	NAS1149FN832P	Washer	X	1
15	B260-3	Terminal	X	A/R
16	-2039	Wire (Ref; ground, aft strobe light, earlier R66s)		
17	A708-16**	Strobe Light Assembly – White LED (Includes items 1 thru 5, and 8. Orient with blank strips facing forward.)	X	1
18	A708-15**	Strobe Light Assembly – Blue LED (R66 Police only. Includes items 1 thru 5, and 8.)	X	1
19	MS35489-11	Grommet	X	1
20	MS21919WDG2	Clamp	X	1
21	NAS1149FN816P	Washer	X	2
22	MS21042L08	Nut	X	2
23	MS27039C0808	Screw	X	1
24	-2039	Wire (Ref; ground, aft strobe light)		
25	-2734**	Wire (Ref; ground, forward strobe light)		
26	-2854	Wire (Ref; ground, tailcone)		
27	B260-9	Terminal	X	1

NOTES * Whelen part number.
 ** Forward strobe light installation is optional equipment.

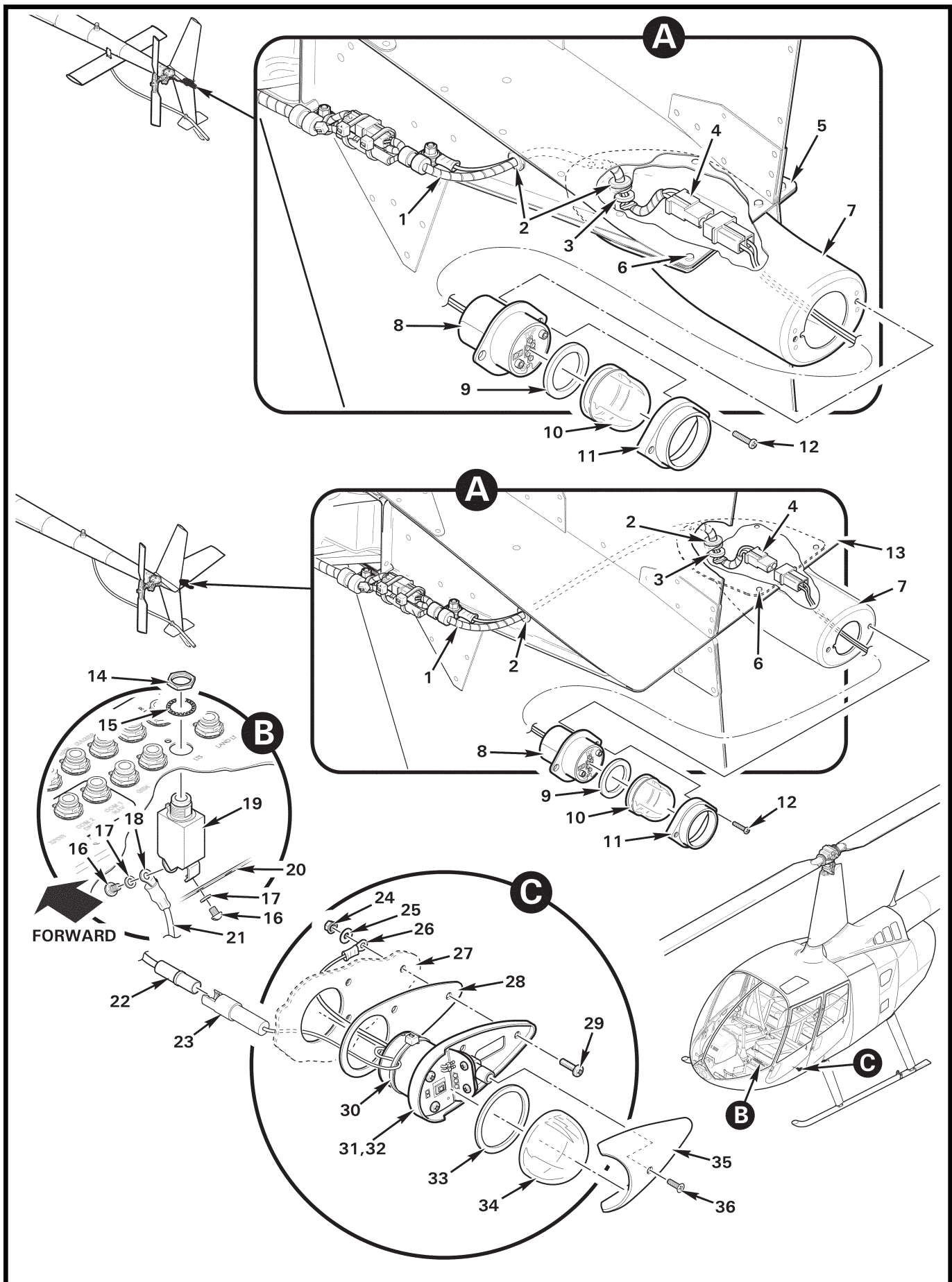


FIGURE AND INDEX NUMBER	PART NUMBER	DESCRIPTION	PARTS AVAIL	QTY PER ASSY
NAVIGATION LIGHTS INSTALLATION				
33-3-1	D049-8	Wire Harness – Tail Light (Ref, see Figure 53-25)		
2	MS35489-4	Grommet	X	2
3	90295A075	Washer	X	1
4	B263-13	Housing	X	1
	B263-2	Socket	X	2
5	F044-1	Mount Assembly (Ref, see Figure 53-25)		
6	MS20470AD3	Rivet	X	2
7	C529-1	Mount Assembly – Tail Light	X	1
8	01-0771554-01*	Tail Light Assembly (LED; includes items 9 thru 12)	X	1
9	38-0231061-00*	Gasket	O	1
10	68-3970991-30*	Lens	O	1
11	19-0150350-03*	Lens Retainer	O	1
12	14-0050505-18*	Screw	O	1
13	C044	Stabilizer – Horizontal (Ref, see Figure 53-29)		
14	—	Nut	O	1
15	—	Lockwasher	O	1
16	—	Screw	O	2
17	—	Washer	O	2
18	B260-2	Terminal (Ref)		
19	B297-5	Circuit Breaker (5 amp; includes items 14 thru 17)	X	1
20	A448	Bus Bar (Ref)		
21	-104	Wire (Ref)		
22	B263-11	Housing (Ref)		
	B263-2	Socket (Ref)		
23	B263-10	Housing	X	1
	B263-1	Socket	X	1
24	MS21042L06	Nut	X	3
25	NAS1149FN616P	Washer	X	3
26	B260-2	Terminal	X	1
27	F272	Chin Assembly (Ref)		
28	A779-1	Gasket	X	1
29	MS35206-230	Screw	X	3
30	MS3367-5-0	Ty-Rap	X	2

NOTES * Whelen part number.

Continues

FIGURE AND INDEX NUMBER	PART NUMBER	DESCRIPTION	PARTS AVAIL	QTY PER ASSY
NAVIGATION LIGHTS INSTALLATION (Cont'd)				
33-3-31	A039-20	Position Light Assembly – RH (LED; includes items 18, 23, and 33 thru 36)	X	1
	01-0771105-03*	Position Light (green LEDs)	X	1
32	A039-19	Position Light Assembly – LH (LED; includes items 18, 23, and 33 thru 36)	X	1
	01-0771105-04*	Position Light (red LEDs)	X	1
33	38-0230021-00*	Gasket	O	1
34	68-3950902A30*	Lens (clear)	O	1
35	19-150002-010*	Retainer	O	1
36	14-0050508-27*	Screw	O	1

NOTES * Whelen part number.

CHAPTER 52

DOORS AND WINDOWS

<i>Figure</i>	<i>Title</i>	<i>Page</i>
52-1	Forward Door Assembly	52.0
52-5	Forward Door Installation	52.4
52-7	Aft Door Assembly	52.6
52-11	Aft Door Installation	52.10
52-13	Baggage Door Installation	52.12
52-17	Windshield Installation – Standard (Acrylic)	52.16
52-21	Windshield Installation – Impact Resistant (Polycarbonate)	52.20
52-25	Windshield Installation – Impact Resistant (Polycarbonate)	52.24
52-27	Windshield Installation – Impact Resistant (Polycarbonate) with Wire Strike Provisions	52.26

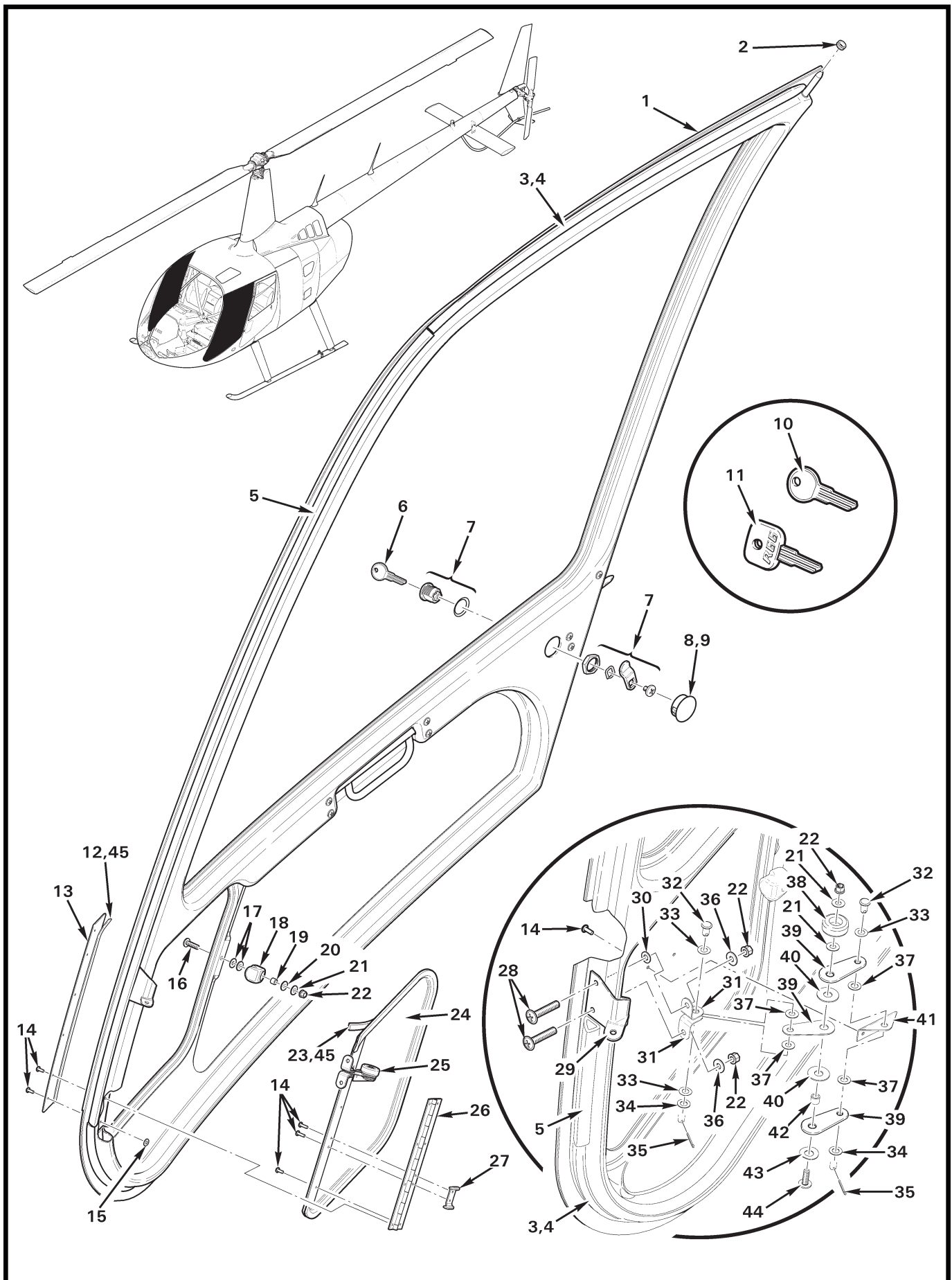


FIGURE AND INDEX NUMBER	PART NUMBER	DESCRIPTION	PARTS AVAIL	QTY PER ASSY
		WINDSHIELD INSTALLATION – STANDARD (ACRYLIC)		
52-17-1	AN526C832R9	Screw (do not substitute MS27039 screws)	X	8
2	B409-5	Gusset	X	1
3	F238-4	Retainer (apply item 29 to edges)	X	1
4	MS21042L08	Nut	X	94
5	AN526C832R12	Screw (do not substitute MS27039 screws)	X	22
6	F367-12	Stiffener	X	1
7	F367-10	Retainer	X	1
8	F274-2*	Windshield** (Acrylic; RH, clear)	X	1
	F274-4*	Windshield** (Acrylic; RH, tinted)	X	1
9	F274-1*	Windshield** (Acrylic; LH, clear)	X	1
	F274-3*	Windshield** (Acrylic; LH, tinted)	X	1
10	C366-8	Retainer	X	1
11	C366-5	Bracket	X	1
12	MS27039C0810	Screw	X	2
13	MS27039C0808	Screw	X	2
14	F367-6*	Retainer (RH)	X	1
15	F367-8*	Retainer (RH)	X	1
16	F367-7*	Retainer (LH)	X	1
17	F367-5*	Retainer (LH)	X	1
18	NAS1149FN832P	Washer	X	4
19	MS20470AD4	Rivet	X	26
20	C367-11	Tape	X	A/R
21	C238-27*	Retainer (LH)	X	1
	C238-28*	Retainer (RH; not shown)	X	1
22	F230-8	Rain Gutter (RH; apply item 29 to edges)	X	1
	F230-7	Rain Gutter (LH; apply item 29 to edges)	X	1
23	B270-13.100Z	Sealant (10.3 oz. cartridge)	X	A/R
24	NAS1149FN832P	Washer	X	A/R
25	NAS620-5	Washer	X	A/R
26	NAS9301B-4-02	Rivet (blind)	X	5
27	AN526C832R8	Screw	X	82
28	D805-2	Restraint (LH and RH. Use item 29 to fill gap between items 22, 28, and 31.)	X	2
29	B270-1	Sealant (2-oz tube)	X	A/R
30	C273-3	Window (clear acrylic)	X	1

NOTES * Install using item 23.
 ** See Figure 99-7 for shipping box.

Continues

FIGURE AND INDEX NUMBER	PART NUMBER	DESCRIPTION	PARTS AVAIL	QTY PER ASSY
WINDSHIELD INSTALLATION – STANDARD (ACRYLIC) (Cont'd)				
52-17-31	F273-1	Roof (Incl item 30)	X	1
32	F090-5	Bow Assembly (includes wires)	X	1
33	F087-2	Frame (forward; roof)	X	1
34	C211-3	Gusset (LH and RH)	X	2
35	C238-4	Door Jamb – RH (attach to cabin using items 19, 39, 42, and 43)	X	1
36	C238-3	Door Jamb – LH (attach to cabin using items 19, 39, 42, and 43)	X	1
37	C238-34	Spacer (LH and RH, 0.125 in. thick polycarbonate. Attach to items 35 and 36 using item 39.)	X	2
38	D661-1	Spacer (LH and RH, 0.125 in. thick polycarbonate. Attach to items 35 and 36 using item 39.)	X	2
39	MS20426AD3	Rivet (flush)	X	56
40	F367-2	Retainer (RH)	X	1
41	F090-2	Frame (RH; attach with item 40 to chin [item 46] using item 39)	X	1
42	MS20470AD3	Rivet (flush)	X	8
43	A414-1	Angle (LH)	X	1
	A414-2	Angle (RH; not shown)	X	1
44	F090-1	Frame (LH; attach with item 40 to chin [item 46] using item 39)	X	1
45	F367-1	Retainer (LH)	X	1
46	F272-1	Chin	X	1
47	NAS9301B-4-03	Rivet (blind)	X	2
48	C366-6	Cap	X	1
49	NAS9301B-4-02	Rivet (blind; or NAS9301B-4-03 as required)	X	4
50	F367-9	Retainer	X	1
51	B295-1	Clip (install 10th hole from bottom)	X	1
52	—	Yaw String (Ref; yarn, white acrylic, 0.10-inch dia., 3-inch length each side of clip. Source locally.)		

NOTES

FIGURE AND INDEX NUMBER	PART NUMBER	DESCRIPTION	PARTS AVAIL	QTY PER ASSY
		WINDSHIELD INSTALLATION – IMPACT-RESISTANT (POLYCARBONATE)		
52-21-1	F274-6*	Windshield** (Polycarbonate; RH, clear. Also order item 30, as required.)	X	1
	F274-8*	Windshield** (Polycarbonate; RH, tinted. Also order item 30, as required.)	X	1
2	F274-5*	Windshield** (Polycarbonate; LH, clear. Also order item 30, as required.)	X	1
	F274-7*	Windshield** (Polycarbonate; LH, tinted. Also order item 30, as required.)	X	1
3	AN526C832R12	Screw (do not substitute MS27039 screws)	X	23
4	F467-12***	Stiffener (Ref)		
5	F367-10***	Retainer (Ref)		
6	G367-2	Tie	X	12
7	B526-6	Screw (do not substitute MS27039 screws)	X	74
8	F367-9***	Retainer (Ref)		
9	C141-25	Washer	X	74
10	MS21042L08	Nut	X	74
11	—	Yaw String (Ref; yarn, white acrylic, source locally. 0.10-inch dia., 3-inch length each side of clip.)		
12	B295-2	Clip (install 10th screw from bottom)	X	1
13	G367-11	Tie	X	2
14	G367-15*	Pad	X	20
15	B270-26	Sealant	X	A/R
16	G367-13*	Tab	X	2
17	G367-14*	Pad	X	2
18	C366-5***	Bracket (Ref)		
19	C366-8***	Retainer (Ref)		
20	MS20470AD4***	Rivet (Ref)		
21	MS27039C0810***	Screw (Ref)		
22	MS27039C0809	Screw	X	2
23	F367-8***	Retainer (Ref)		
24	F367-7***	Retainer (Ref)		
25	AN526C832R8	Screw (Ref)		
26	G367-10	Strap	X	16
27	G367-12*	Tab	X	16
28	F367-5***	Retainer (LH, Ref)		
	F367-6***	Retainer (RH, Ref)		

NOTES * Install using item 15.
 ** See Figure 99-7 for shipping box.
 *** See Figure 52-17.

Continues

FIGURE AND INDEX NUMBER	PART NUMBER	DESCRIPTION	PARTS AVAIL	QTY PER ASSY
52-21-29 30	G367-1 MT084-1.CS	<p align="center">WINDSHIELD INSTALLATION – IMPACT-RESISTANT (POLYCARBONATE; Cont'd)</p> <p>Strap X</p> <p>Paint Templates – Sheet (Apply trim paint using paint templates per R66 MM § 52-32 Part G when replacing windshield[s] or if otherwise required. One sheet accommodates layout for two RH & two LH windshields. For use with R22-series, R44-series, and R66 helicopters equipped with polycarbonate windshields.) X</p>	X X	30 A/R
NOTES				

Intentionally Blank

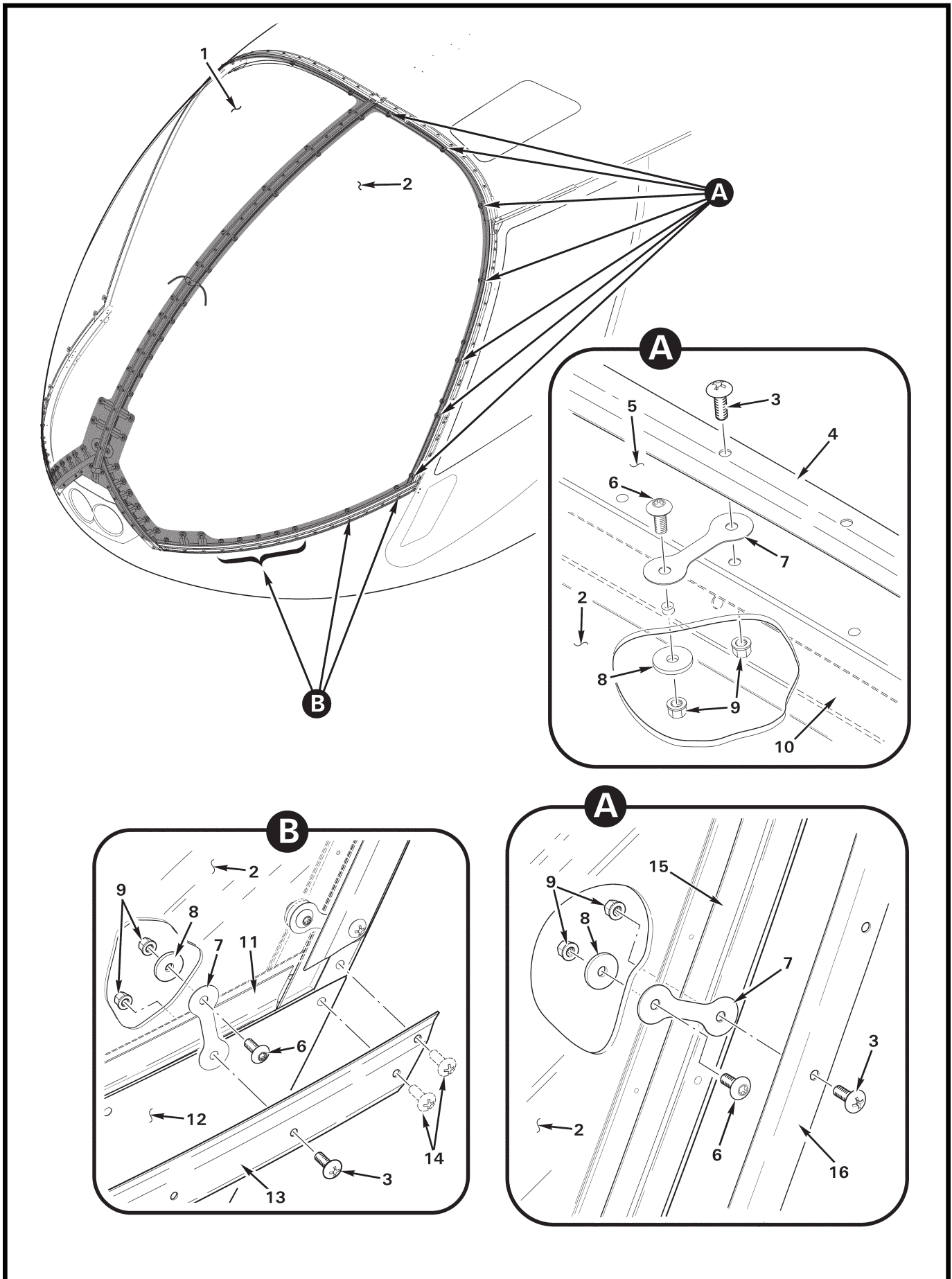


FIGURE AND INDEX NUMBER	PART NUMBER	DESCRIPTION	PARTS AVAIL	QTY PER ASSY
		WINDSHIELD INSTALLATION – IMPACT-RESISTANT (POLYCARBONATE)		
52-25-1	F274-6	Windshield (Ref*; Polycarbonate; RH, clear)		
	F274-8	Windshield (Ref*; Polycarbonate; RH, tinted)		
2	F274-5	Windshield (Ref*; Polycarbonate; LH, clear)		
	F274-7	Windshield (Ref*; Polycarbonate; LH, tinted)		
3	AN526C832R8	Screw (do not substitute MS27039 screws)	X	60
4	F238-4	Retainer (Ref**)		
5	F273-1	Roof (Ref**)		
6	B526-6	Screw (do not substitute MS27039 screws)	X	30
7	G367-1	Strap	X	30
8	C141-25	Washer	X	30
9	MS21042L08	Nut	X	60
10	F087-2	Frame (forward, roof; Ref**)		
11	F367-1	Retainer (LH, Ref**)		
	F367-2	Retainer (RH, not shown; Ref**)		
12	F272-1	Chin (Ref**)		
13	F367-5	Retainer (LH, Ref**)		
	F367-6	Retainer (LH, not shown; Ref**)		
14	AN526832R9	Screw (Ref**)		
15	C238-3	Door Jamb (LH, Ref**)		
16	C238-27	Retainer (LH, Ref**)		
	C238-28	Retainer (RH, not shown; Ref**)		

NOTES * See Figure 52-21.
 ** See Figure 52-17.

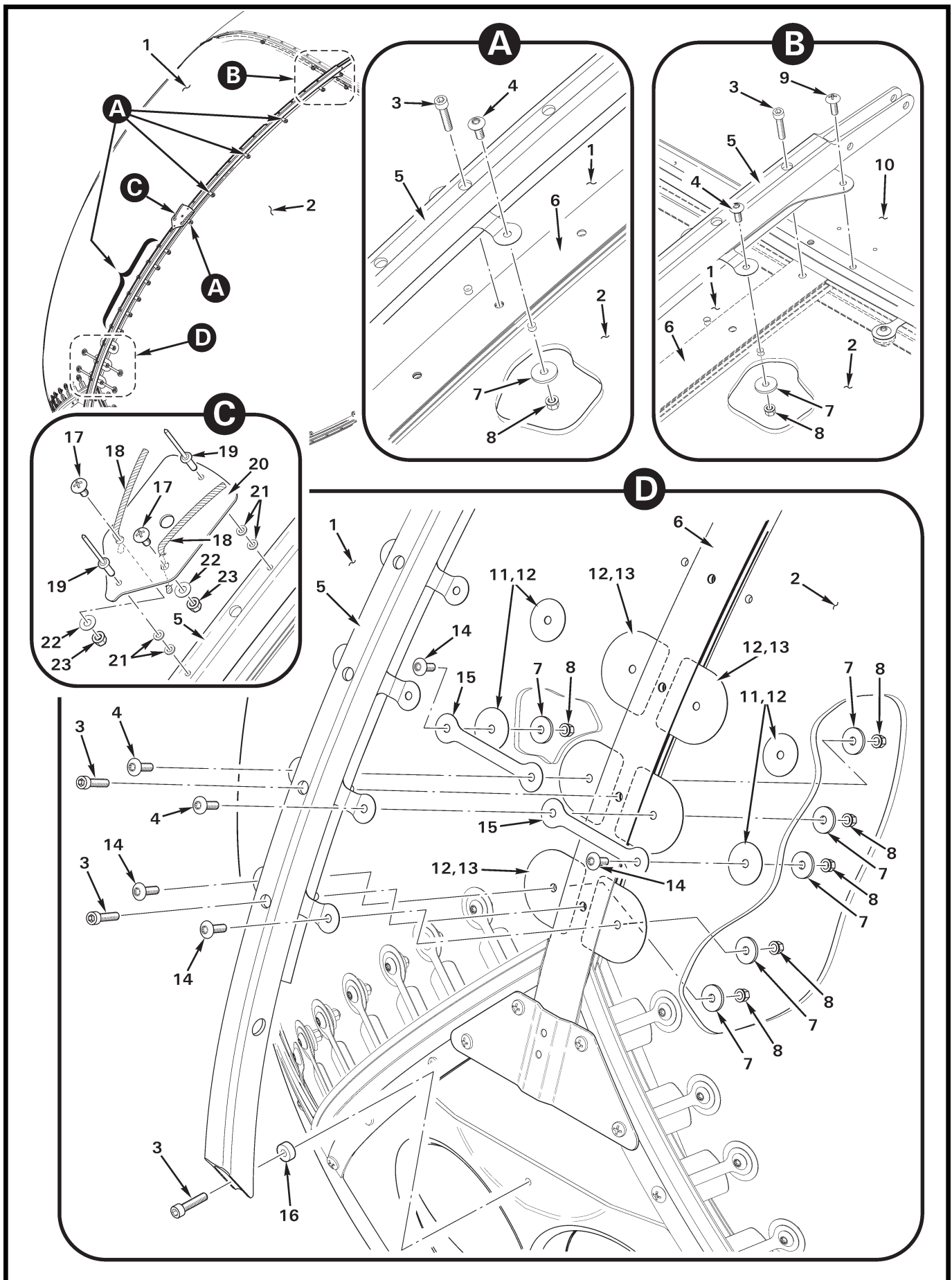


FIGURE AND INDEX NUMBER	PART NUMBER	DESCRIPTION	PARTS AVAIL	QTY PER ASSY
		WINDSHIELD INSTALLATION – IMPACT-RESISTANT (POLYCARBONATE) WITH WIRE STRIKE PROVISIONS		
52-27-1	F274-6	Windshield (Ref*; Polycarbonate; RH, clear)		
	F274-8	Windshield (Ref*; Polycarbonate; RH, tinted)		
2	F274-5	Windshield (Ref*; Polycarbonate; LH, clear)		
	F274-7	Windshield (Ref*; Polycarbonate; LH, tinted)		
3	NAS1352-08-12P	Screw	X	24
4	B526-8	Screw (do not substitute MS27039 screws)	X	4
5	G933-2	Bow Assembly	X	1
6	G935-2	Retainer (replaces F367-10 retainer)	X	1
7	C141-25	Washer	X	78
8	MS21042L08	Nut	X	78
9	AN526C832R9	Screw (Ref**)		
10	F273-1	Roof (Ref**)		
11	G367-15	Pad (install using item 12)	X	4
12	B270-26	Adhesive	X	A/R
13	G367-14	Pad (install using item 12)	X	6
14	B526-6	Screw (do not substitute MS27039 screws)	X	74
15	G367-10	Strap	X	20
16	A130-37	Spacer	X	1
17	AN526C832R6	Screw	X	2
18	–	Yaw String (Ref; yarn, white acrylic, 0.10-inch dia., 1.9-inch length from screw, trim yarn 0.06-inch max beyond washer. Source locally.)		
19	B204-2	Rivet (blind)	X	2
20	G935-7	Plate	X	1
21	NAS620-5	Washer ([2] with each item 18 between item 17 and item 5)	X	4
22	NAS1149FN816P	Washer	X	2
23	MS21042L08	Nut	X	2

NOTES * See Figure 52-21.
 ** See Figure 52-17.

Intentionally Blank

CHAPTER 53

FUSELAGE

<i>Figure</i>	<i>Title</i>	<i>Page</i>
53-1	Engine Cowling Installation	53.0
53-3	Mast Fairing Assembly	53.2
53-5	Tailcone Cowling Installation	53.4
53-7	Lower Frame Assemblies	53.6
53-11	Hydraulic Servo Support Frame Assembly	53.10
53-13A	Upper Frame Assembly	53.12
53-13B	Upper Frame Assembly	53.15
53-17	Tailcone Assembly	53.16
53-21	Tailcone Assembly	53.20
53-25	F004-2 Empennage Assembly	53.24
53-29	C004-2 & -3 Empennage Assembly	53.28
53-33	F050-2 Horizontal Stabilizer Installation	53.32
53-35	C050-2/G950-1 & -2 Stabilizer Installation	53.34
53-37	Wind Deflector Installation	53.36

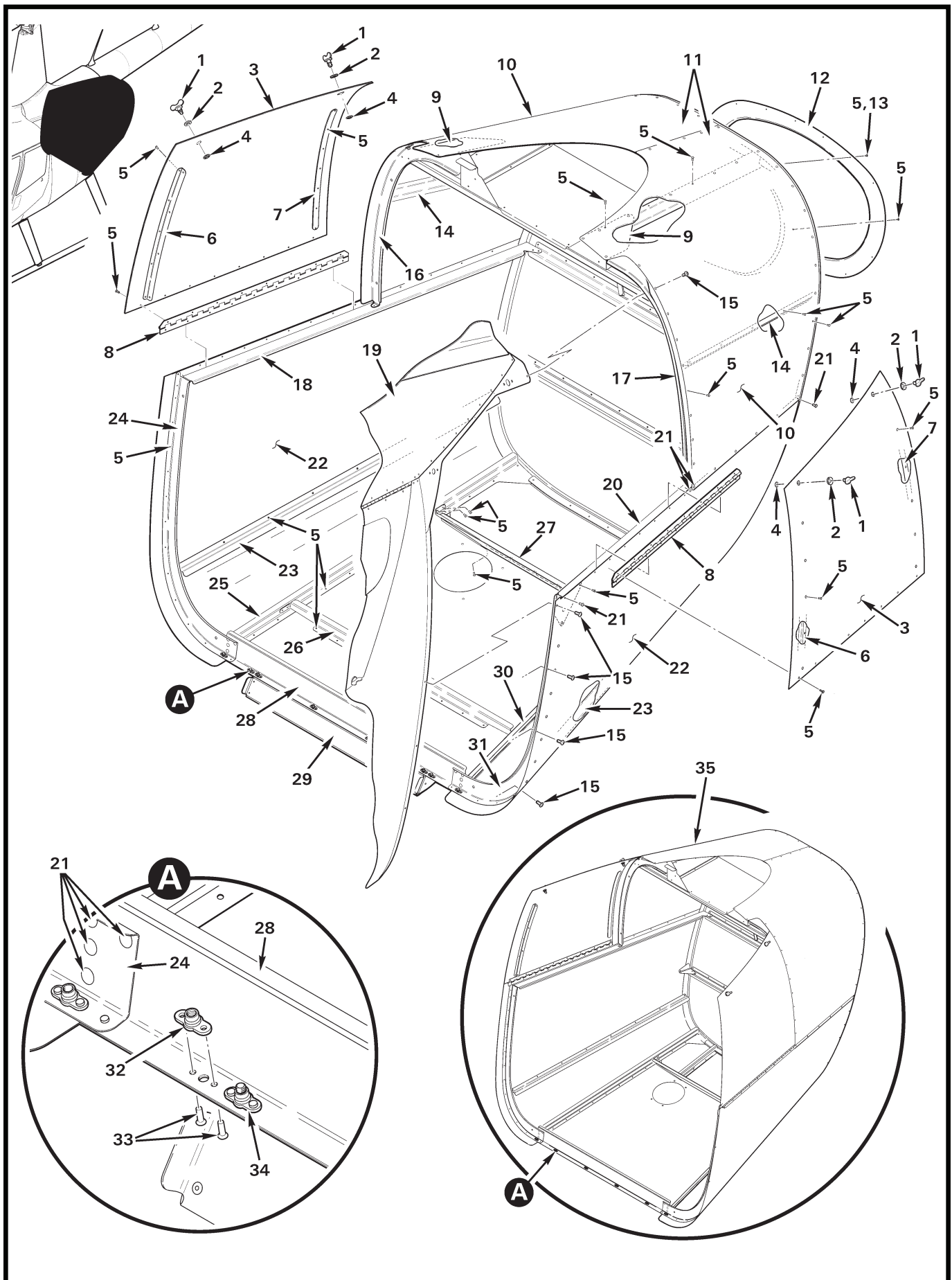


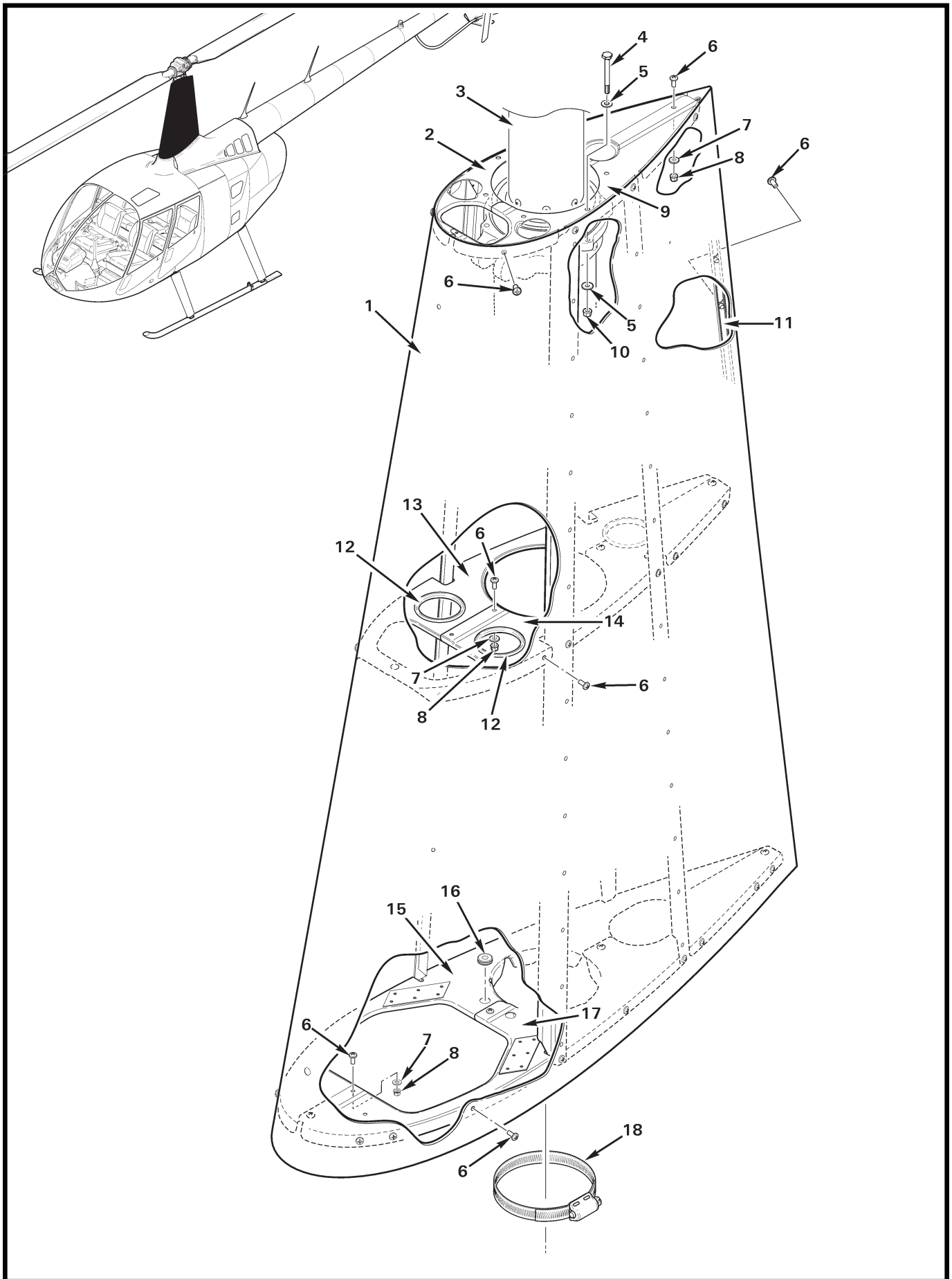
FIGURE AND INDEX NUMBER	PART NUMBER	DESCRIPTION	PARTS AVAIL	QTY PER ASSY
ENGINE COWLING INSTALLATION				
53-1-1	85-12-140-16	Stud	X	4
2	85-46-101-39	Washer	X	4
3	G040-5	Door (RH and LH)	X	2
4	85-34-201-20	Retaining Ring	X	4
5	MS20470AD3	Rivet	X	A/R
6	G304-1	Stiffener (RH and LH door)	X	2
7	G928-3	Stiffener (RH and LH door)	X	2
8	G925-4	Hinge	X	2
9	G309-7	Doubler (RH and LH)	X	2
10	G040-7	Engine Cowling Assembly – Aft (w/AC; includes items 5 thru 9, 11, 14, 16 thru 18, 20 thru 34)	X	1
11	G040-4	Skin (RH and LH)	X	2
12	G039-2	Ring (blank; drill-to-fit after exhaust pipe replacement)	X	1
13	MS20604R3W1	Rivet (may be used instead of item 5 for [4] upper rivets)	X	4
14	G307-9	Stiffener (RH and LH)	X	2
15	MS27039C0806	Screw	X	10
16	G306-2	Stiffener (RH)	X	1
17	G306-1	Stiffener (LH)	X	1
18	G307-4	Stiffener (RH)	X	1
19	G004	Fuselage Assembly – Aft (Ref)		
20	G307-3	Stiffener (LH)	X	1
21	MS20470AD4	Rivet	X	38
22	G040-3	Skin (RH and LH)	X	2
23	G307-10	Stiffener (RH and LH)	X	2
24	G305-2	Stiffener (RH)	X	1
25	G307-4	Stiffener (RH)	X	1
26	G312-1	Stiffener (forward)	X	1
27	G312-2	Stiffener (aft, install using item 5 [9])	X	1
28	G308-1	Stiffener	X	1
29	G311-10	Scoop (Ref)		
30	G307-3	Stiffener (LH)	X	1
31	G305-1	Stiffener (LH)	X	1
32	MS21069L08	Nutplate	X	6
33	NAS1097AD3	Rivet	X	A/R
34	MS21069L08	Nutplate (installed on item 10 only)	X	2

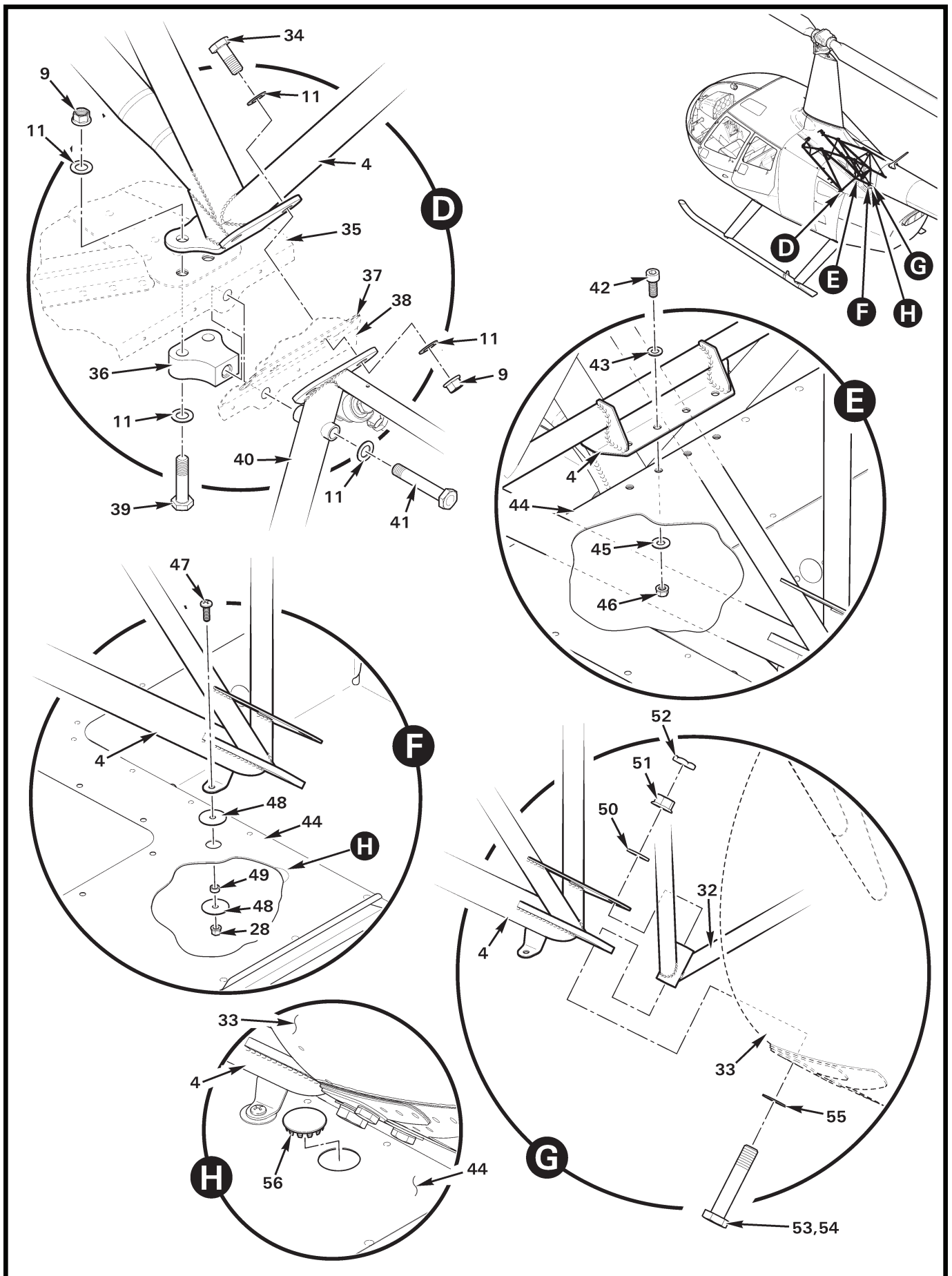
NOTES

Continues

FIGURE AND INDEX NUMBER	PART NUMBER	DESCRIPTION	PARTS AVAIL	QTY PER ASSY
53-1-35	G040-1	<p style="text-align: center;">ENGINE COWLING INSTALLATION (Cont'd)</p> <p>Engine Cowling Assembly – Aft (w/o AC; includes items 5 thru 9, 11, 14, 16 thru 18, 20 thru 28, 30, and 31)</p>	X	1
NOTES				

Intentionally Blank





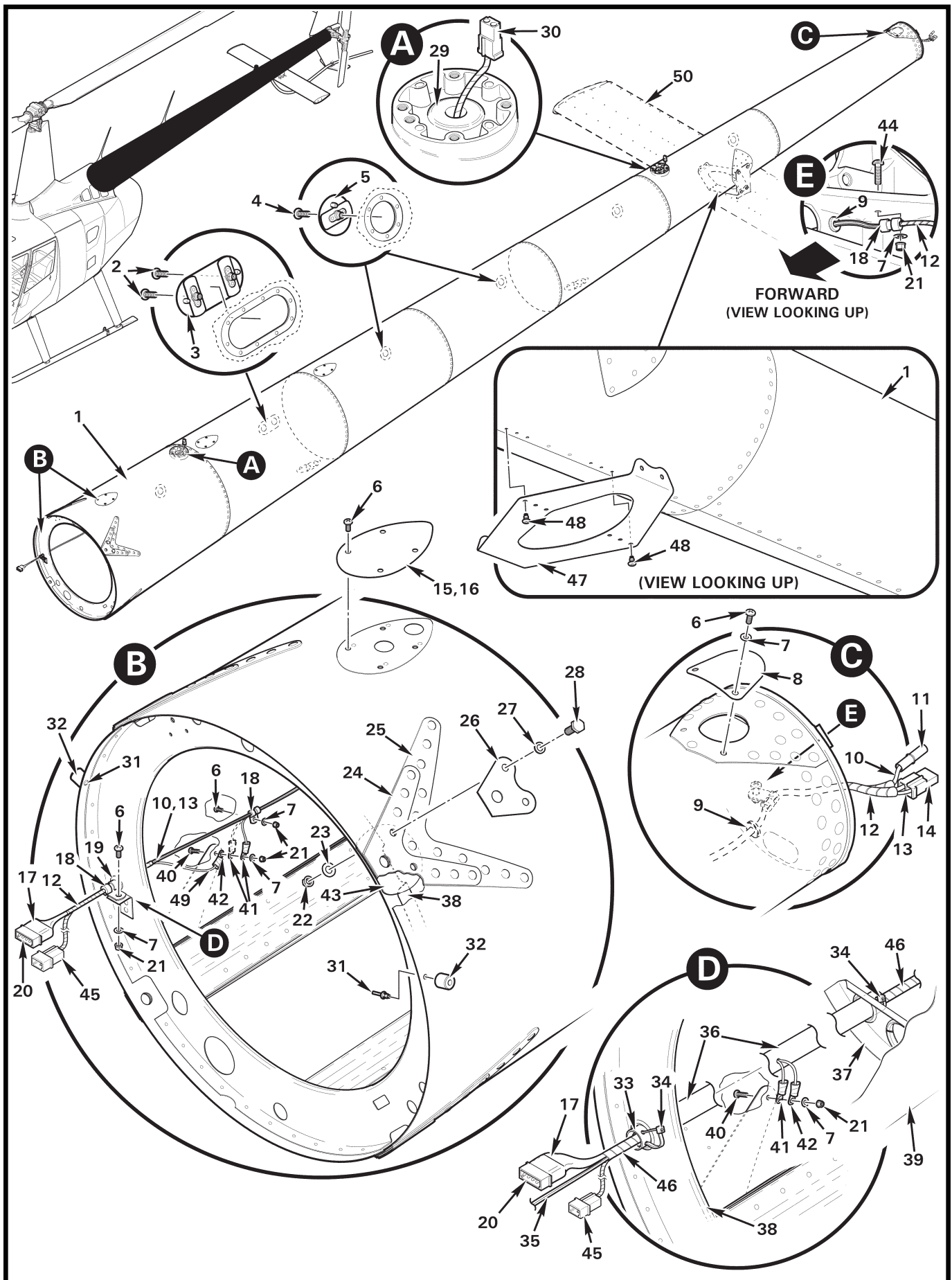


FIGURE AND INDEX NUMBER	PART NUMBER	DESCRIPTION	PARTS AVAIL	QTY PER ASSY
TAILCONE ASSEMBLY				
53-17-1	C023-21*	Tailcone Assembly – Three Antenna (Incl items 3, 5 thru 14, 17 thru 32, 43, 44, and 47)	X	1
	C023-24*	Tailcone Assembly – E.N.G (includes items 3, 5 thru 14, 17 thru 36, 43, 44, 46, and 47; see Figure 92-9)	X	1
	C023-34*	Tailcone Assembly – Five Antenna (Not all provisions shown. Includes items 3, 5 thru 14, 17 thru 32, and 47.)	X	1
	C023-35*	Tailcone Assembly – Three Antenna and Nav Antenna (Not all provisions shown. Includes items 3, 5 thru 14, 17 thru 32, and 47.)	X	1
2	MS27039C0807	Screw	X	2
3	A231-10	Plug Assembly (Incl item 2)	X	1
4	MS27039C0807	Screw	X	5
5	A231-1	Plug Assembly (Incl item 4)	X	5
6	MS27039C0806	Screw	X	8
7	NAS1149FN816P	Washer	X	7
8	A558-2	Cover – Inspection (transparent)	X	1
9	MS35489-33	Grommet	X	1
10	-5	Wire (Ref)		
	-503	Wire (Ref)		
11	B264-13	Plug (wires to tail rotor gearbox chip detector)	X	1
	B263-2	Socket	X	2
12	B161-2	Spirap	X	A/R
13	-109	Wire (Ref, power)		
14	B264-11	Plug (wires to tail light)	X	1
	B264-1	Socket	X	1
15	B322-2	Cover (for use when antenna not installed; install using item 16)	X	1
16	B270-13	Sealant	X	A/R
17	B158-8	Heat Shrink (around housing and wires)	X	A/R
18	MS21919WDG2	Clamp	X	3
19	B401-4	Grommet	X	1
20	B263-17	Housing (wires to strobe, push to test, tail light, and tail rotor chip detector)	X	1
	B263-2	Pin	X	6
21	MS21042L08	Nut	X	A/R
22	D210-4	Nut	X	8
23	A141-11	Washer	X	8

NOTES * Revision AW and subsequent.

Continues

FIGURE AND INDEX NUMBER	PART NUMBER	DESCRIPTION	PARTS AVAIL	QTY PER ASSY
TAILCONE ASSEMBLY (Cont'd)				
53-17-24	D078-2	Doubler (Ref)		
25	D078-3	Doubler (Ref)		
26	D078-1	Doubler	X	4
27	NAS1149F0432P	Washer	X	8
28	NAS6604-4	Bolt	X	8
29	MS35489-15	Grommet	X	1
30	B263-13	Housing	X	1
	B263-2	Socket	X	2
31	NAS9301B-4-02	Rivet	X	2
32	F288-2	Bumper	X	2
33	NAS557-10A	Grommet (for tailcone camera installation only)	X	8
34	MS3367-5-9	Ty-Rap	X	2
35	C023-757	Cable (Ref)		
	C023-2815	Wire (Ref)		
36	D686-1	Conduit	X	1
37	D080-1	Bulkhead Assembly (Ref)		
38	D070-1	Bulkhead Assembly (Ref)		
39	C023-12	Skin (Ref)		
40	MS27039C0807	Screw	X	1
41	B260-3	Terminal (Ref; see Figure 33-1)		
42	B260-9	Terminal (Ref; see Figure 33-1)		
43	F288-3	Doubler	X	1
44	MS27039C0808	Screw	X	1
45	B263-12	Housing	X	1
	B263-3	Pin (-2388 ground wire; additional -2854 wire optional fwd strobe)	X	A/R
46	B161-4	Spirap (E.N.G.)	X	A/R
47	F955-1	Bracket	X	1
48	MS20470AD5	Rivet	X	6
49	-2854	Wire	X	1
50	F050-2	Horizontal Stabilizer Assembly (Ref; see Figure 53-33)		

NOTES

Intentionally Blank

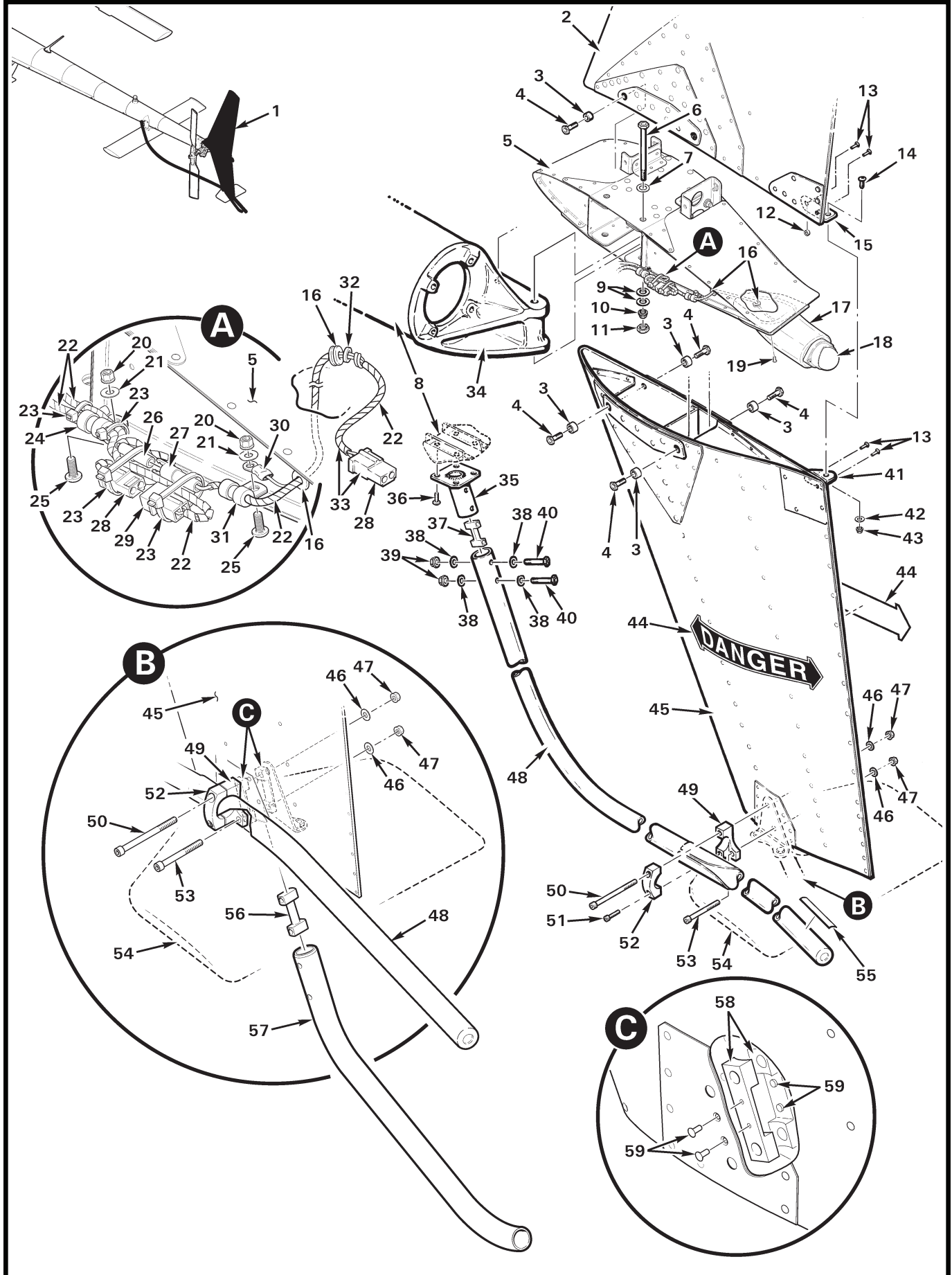


FIGURE AND INDEX NUMBER	PART NUMBER	DESCRIPTION	PARTS AVAIL	QTY PER ASSY
F004-2 EMPENNAGE ASSEMBLY				
53-25-1	F004-2	Empennage Assembly (Incl items 2 thru 5, 12 thru 15, 41 thru 43, and 45)	X	1
2	C042-1	Stabilizer – Upper Vertical (does not include item 15)	X	1
3	C130-9	Spacer	X	8
4	NAS6604-6	Bolt	X	8
5	F044-1	Mount Assembly – Vertical Stabilizers (Incl items 17, 19, 22, 29, and 33)	X	1
6	NAS6606-47	Bolt	X	2
7	NAS1149F0632P	Washer	X	2
8	C023-21, -24, -34, -35	Tailcone Assembly (Ref; revision AW and subsequent)		
9	NAS1149F0663P	Washer ([1] or [2] under nut as required for proper thread engagement)	X	A/R
10	D210-6	Nut	X	2
11	B330-19	Palnut	X	2
12	A130-14	Spacer	X	1
13	MS20470AD4	Rivet	X	4
14	MS35206-228	Screw	X	1
15	C554-2	Clip – Upper Vertical Stabilizer	X	1
16	MS35489-4	Grommet	X	2
17	C529-1	Mount Assembly – Tail Light	X	1
18	01-0771554-01*	Light Assembly – Tail Light (Ref, see Figure 33-3)		
19	MS20470AD3	Rivet	X	5
20	MS21042L08	Nut	X	2
21	NAS1149FN816P	Washer	X	2
22	B161-2	Spirap	X	A/R
23	MS3367-5-9	Ty-Rap	X	4
24	MS21919WDG3	Clamp	X	1
25	MS27039C0806	Screw	X	2
26	B263-11	Housing	X	1
	B263-2	Socket	X	1
27	B263-10	Housing (tail light)	X	1
	B263-1	Pin	X	1
28	B263-13	Housing	X	2
	B263-2	Socket	X	2
29	B263-12	Housing	X	1
30	B260-3	Terminal	X	1

NOTES * Whelen part number.

Continues

FIGURE AND INDEX NUMBER	PART NUMBER	DESCRIPTION	PARTS AVAIL	QTY PER ASSY
F004-2 EMPENNAGE ASSEMBLY (Cont'd)				
53-25-31	MS21919WDG2	Clamp	X	1
32	90295A075	Washer	X	1
33	D049-8	Wire Harness Assembly – Tail Light (includes items 16, 22, 27, 28 [1], 30, 32, and wires; assembled)	X	1
34	C148-5	Bulkhead Assembly (Ref)		
35	D082-1	Tube Assembly – Tail Rotor Guard Mount	X	1
36	MS27039C1-07	Screw	X	4
37	D081-1	Spacer	X	1
38	NAS1149F0332P	Washer	X	4
39	D210-3	Nut	X	2
40	NAS6603-16	Bolt	X	2
41	C554-1	Clip – Lower Vertical Stabilizer	X	1
42	NAS1149FN616P	Washer	X	1
43	MS21042L06	Nut	X	1
44	C654-2	Decal – "DANGER"	X	2
45	C043-1	Stabilizer – Lower Vertical (includes items 57 and 59, does not include items 41 and 44)	X	1
46	NAS1149F0432P	Washer	X	2
47	D210-4	Nut	X	2
48	D079-1	Tail Rotor Guard Assembly (Revision V and subsequent only. Includes item 55.)	X	1
49	D081-4	Block Assembly	X	1
50	NAS1351-4-53P	Screw	X	1
51	NAS1352-3-14P	Screw	X	1
52	D081-2	Block – Cap	X	1
53	NAS1351-4-38P	Screw	X	1
54	C050-2	Stabilizer Assembly (Ref, see Figure 53-35)		
55	C654-18	Decal – "NO HAND HOLD"	X	1
56	C470-3	Spacer	X	1
57	C470-2	Block	X	2
58	C470-1	Tail Skid	X	1
59	MS20426AD3	Rivet	X	4

NOTES

Intentionally Blank

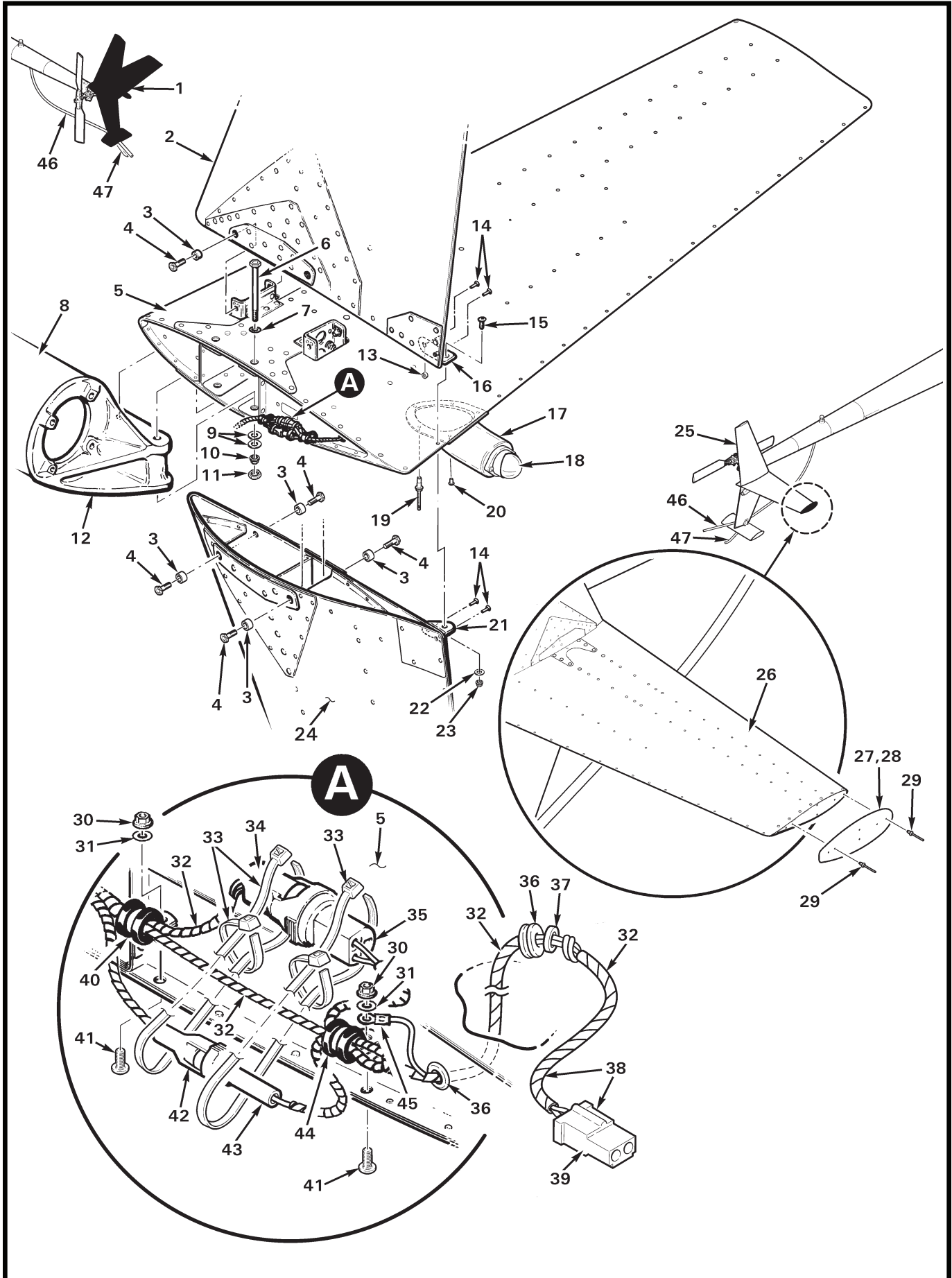


FIGURE AND INDEX NUMBER	PART NUMBER	DESCRIPTION	PARTS AVAIL	QTY PER ASSY
		C004-2 & -3 EMPENNAGE ASSEMBLY		
53-29-1	C004-2*	Empennage Assembly (Incl items 2 thru 5, 13 thru 16, and 21 thru 24)	X	1
2	C042-1	Stabilizer – Upper Vertical (does not include item 16)	X	1
3	C130-9	Spacer	X	8
4	NAS6604-6	Bolt	X	8
5	C044-1	Stabilizer – Horizontal (Incl items 17, 19, 20, 28 and 38)	X	1
6	NAS6606-47	Bolt	X	2
7	NAS1149F0632P	Washer	X	2
8	C023	Tailcone Assembly (Ref; revision AV and prior)		
9	NAS1149F0663P	Washer ([1] to [2] under nut as required for proper thread engagement)	X	A/R
10	D210-6	Nut	X	2
11	B330-19	Palnut	X	2
12	C148-5	Bulkhead (Ref)		
13	A130-14	Spacer	X	1
14	MS20470AD4	Rivet	X	4
15	MS35206-228	Screw	X	1
16	C554-2	Clip – Upper Vertical Stabilizer	X	1
17	C529-1	Mount Assembly – Tail Light	X	1
18	01-0771554-01**	Light Assembly – Tail Light (Ref, see Figure 33-3)		
19	NAS1919B04S02	Rivet	X	3
20	MS20470AD4	Rivet (or NAS1919B04S02, optional)	X	2
21	C554-1	Clip – Lower Vertical Stabilizer	X	1
22	NAS1149FN616P	Washer	X	1
23	MS21042L06	Nut	X	1
24	C043-1	Stabilizer – Lower Vertical (does not include item 21)	X	1
25	C004-3*	Empennage Assembly (Float ships. Includes items 2 thru 4, 13 thru 16, 21 thru 24, and 26.)	X	1
26	C044-2	Stabilizer – Horizontal (Float ships. Includes items 17, 19, 20, 27, 28, and 38.)	X	1
27	D298-1	Plate (seal all around plate in joint, where plate attaches to stabilizer using item 28)	X	1
28	B270-1	Sealant	X	A/R
29	NAS9302B-4-02	Rivet	X	6
30	MS21042L08	Nut	X	2
31	NAS1149FN816P	Washer	X	2

NOTES * Also order KI-276 R44-series & R66 B264-XX Connector Upgrade Kit Instruction, see also Figure 53-25. See <https://robinsonheli.com> for kit contents and instructions.

** Whelen part number.

Continues

FIGURE AND INDEX NUMBER	PART NUMBER	DESCRIPTION	PARTS AVAIL	QTY PER ASSY
C004-2 & -3 EMPENNAGE ASSEMBLY (Cont'd)				
53-29-32	B161-2	Spirap	X	A/R
33	MS337-5-9	Ty-Rap	X	4
34	B264-13	Plug	X	1
	B264-2	Socket	X	2
35	B264-12	Housing (Ref, see Figure 65-9)		
36	MS35489-4	Grommet	X	1
37	90295A075	Washer	X	1
38	D049-8	Wire Harness Assembly – Tail Light (Includes items 32, 36, 37, 39, 43, 45, and wires; assembled.)	X	1
	D049-3*	Wire Harness Assembly – Tail Light (Includes items 32, 36, 37, 39, 43, 45, and wires; assembled.)	X	1
39	B263-13	Housing	X	1
	B263-2	Socket	X	1
40	MS21919WDG3	Clamp	X	1
41	MS27039C0806	Screw	X	2
42	B264-11	Plug	X	1
	B264-2	Socket	X	1
43	B264-10	Receptacle	X	1
	B263-1	Pin	X	1
44	MS21919WDG2	Clamp	X	1
45	B260-3	Terminal	X	1
46	D079-1	Tail Rotor Guard Assembly (Ref, see Figure 53-25)		
47	C470-1	Tail Skid (Ref, see Figure 53-25)		

NOTES * Earlier R66s.

Intentionally Blank

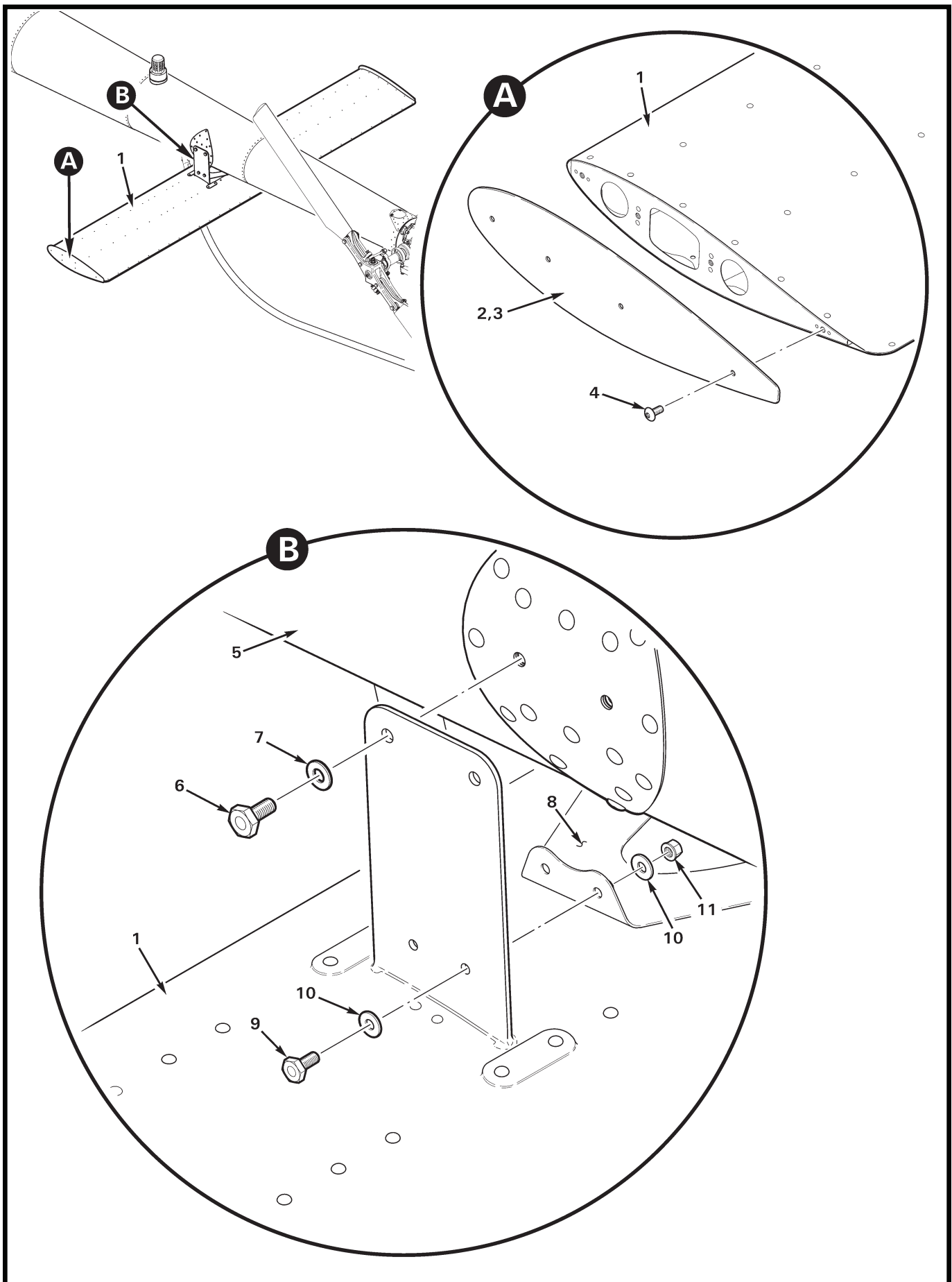


FIGURE AND INDEX NUMBER	PART NUMBER	DESCRIPTION	PARTS AVAIL	QTY PER ASSY
F050-2 HORIZONTAL STABILIZER INSTALLATION				
53-33-1	F050-2	Horizontal Stabilizer Assembly (Incl items 2 thru 4)	X	1
2	F953-2	Plate (seal all around plate in joint, where plate attaches to stabilizer using item 3)	X	2
3	B270-1	Sealant	X	A/R
4	B526-66	Screw (do not substitute)	X	8
5	C023-21, -24, -34, -35	Tailcone Assembly (Ref; revision AW and subsequent includes items 1 & 8, see Figure 53-17)		
6	NAS6604-3	Bolt	X	4
7	NAS1149F0432P	Washer	X	4
8	F955-1	Bracket (Ref, see Figure 53-17)		
9	NAS6603-2	Bolt	X	4
10	NAS1149F0332P	Washer	X	8
11	D210-3	Nut	X	4
* * *				
12	MT023-2	Support – Stabilizer Bracket (install when stabilizer is removed using existing hardware).	X	2
NOTES				

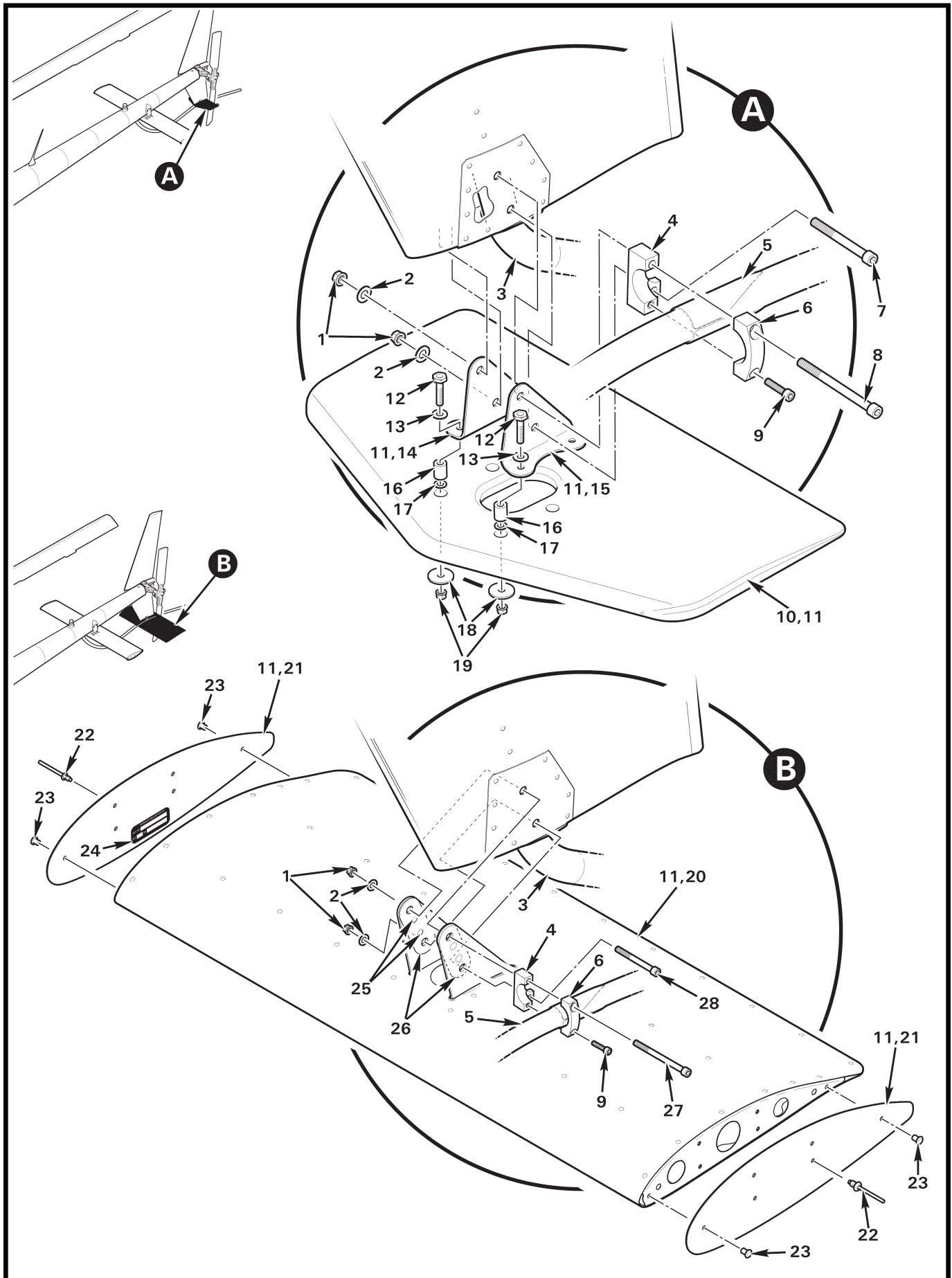


FIGURE AND INDEX NUMBER	PART NUMBER	DESCRIPTION	PARTS AVAIL	QTY PER ASSY
C050-2/G950-2 STABILIZER INSTALLATION				
53-35-1	D210-4	Nut	X	2
2	NAS1149F0432P	Washer	X	2
3	C470-1	Tail Skid (Ref, see Figure 53-25)		
4	D081-4	Block Assembly	X	1
5	D079-1	Tail Rotor Guard (Ref)		
6	D081-2	Block – Cap	X	1
7	NAS1351-4-38P	Screw	X	1
8	NAS1351-4-53P	Screw	X	1
9	NAS1352-3-14P	Screw	X	1
10	C050-2	Stabilizer Assembly	X	1
11	B270-1	Sealant (applied around stabilizer bracket edges, between brackets and C716 doubler; 2-oz tube)	X	A/R
12	NAS6603-9	Bolt	X	4
13	NAS1149F0332P	Washer	X	4
14	C971-4	Bracket (install using item 11 around edges)	X	1
15	C971-3	Bracket (install using item 11 around edges)	X	1
16	A130-35	Spacer	X	4
17	NAS620-10L *	Washer	X	A/R
18	A141-18	Washer	X	4
19	MS21042L3	Nut	X	4
20	G950-2	Stabilizer Assembly – Pop-out Floats (Incl items 11, 21 and 22)	X	1
21	G952-3	Plate	X	2
22	NAS9302B-4-02	Rivet	X	8
23	MS20426AD4	Rivet	X	4
24	A651-1	Data Plate	O	1
25	NAS1097AD3	Rivet (install with head inboard, bucked end flush or recessed 0.110-in. dia. min)	X	4
26	G953-15	Spacer	X	2
27	NAS1351-4-56P	Screw	X	1
28	NAS1351-4-40P	Screw	X	1

29	KI-267-1 **	R66 Float Stabilizer Installation Upgrade Kit Instructions (upgrades G950-2 Float Stabilizer Revision C to Revision E; refer to R66 SB-33)	X	A/R
30	KI-267-2 **	R66 Float Stabilizer Installation Kit Instructions (replaces G950-1 Float Stabilizer with G950-2 Stabilizer Revision E; refer to R66 SB-33)	X	A/R

NOTES * Install under item 18, (4 places) if stabilizer is more than 0.015-inch thicker than spacer length.

** See <https://robinsonheli.com> for kit contents and instructions.

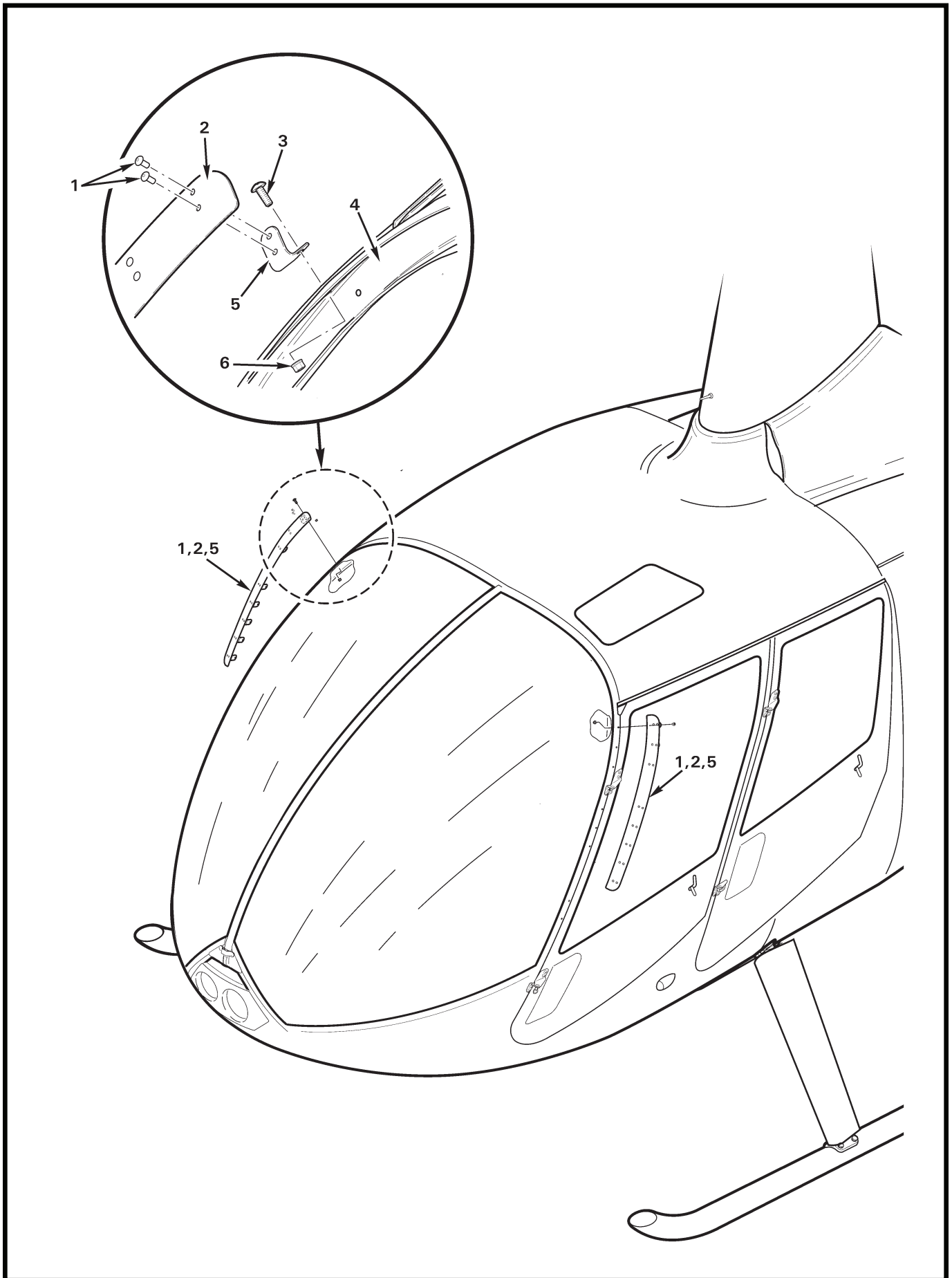


FIGURE AND INDEX NUMBER	PART NUMBER	DESCRIPTION	PARTS AVAIL	QTY PER ASSY
WIND DEFLECTOR INSTALLATION				
53-37-1	MS20470AD4	Rivet	X	32
2	B228-1	Deflector (LH or RH)	X	2
3	AN526C832R8	Screw	X	16
4	—	Door Jamb (Ref)		
5	B228-2	Angle	X	16
6	MS21042L08	Nut	X	16
NOTES				

Intentionally Blank

FIGURE AND INDEX NUMBER	PART NUMBER	DESCRIPTION	PARTS AVAIL	QTY PER ASSY
PUSH-PULL TUBE ASSEMBLIES (UPPER)				
67-27-1	D173-2*	Rod End	X	2
2	B330-19	Palnut	X	2
3	AN316-6R	Nut	X	2
4	F121-3	Push-Pull Tube Assembly (Incl items 1 thru 3)	X	3
5	NAS6605-9	Bolt	X	3
6	NAS1149F0532P	Washer	X	6
7	D210-5	Nut	X	3
8	B330-16	Palnut	X	3
9	D212-5	Servo Assembly (Ref, forward)		
10	D212-6	Servo Assembly (Ref, aft)		
11	G201-1	Frame Assembly – Hydraulic Servo Support (Ref)		
12	F006	Main Rotor Gearbox Assembly (Ref)		

NOTES * Apply B270-21 protectant to threads.

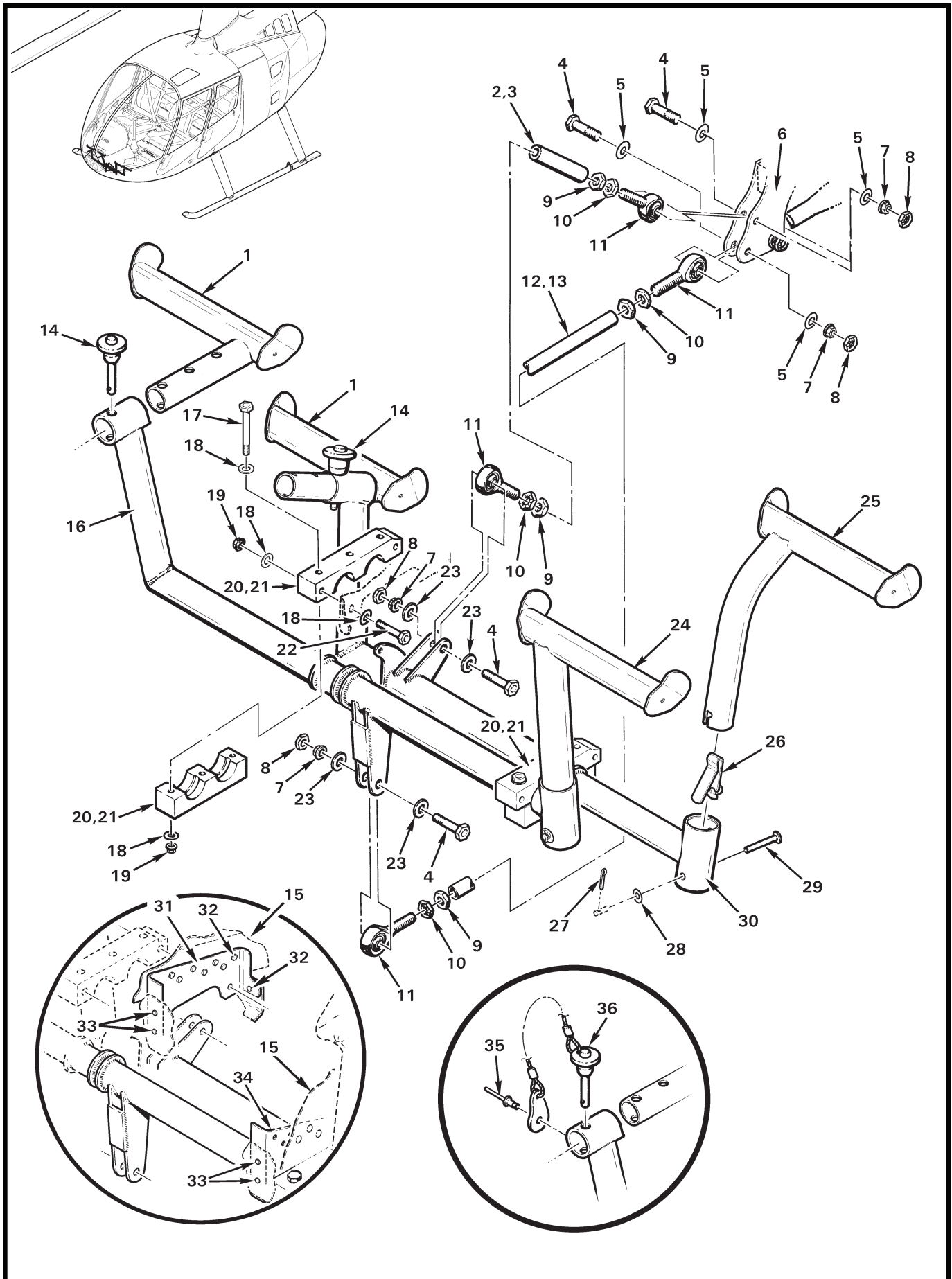


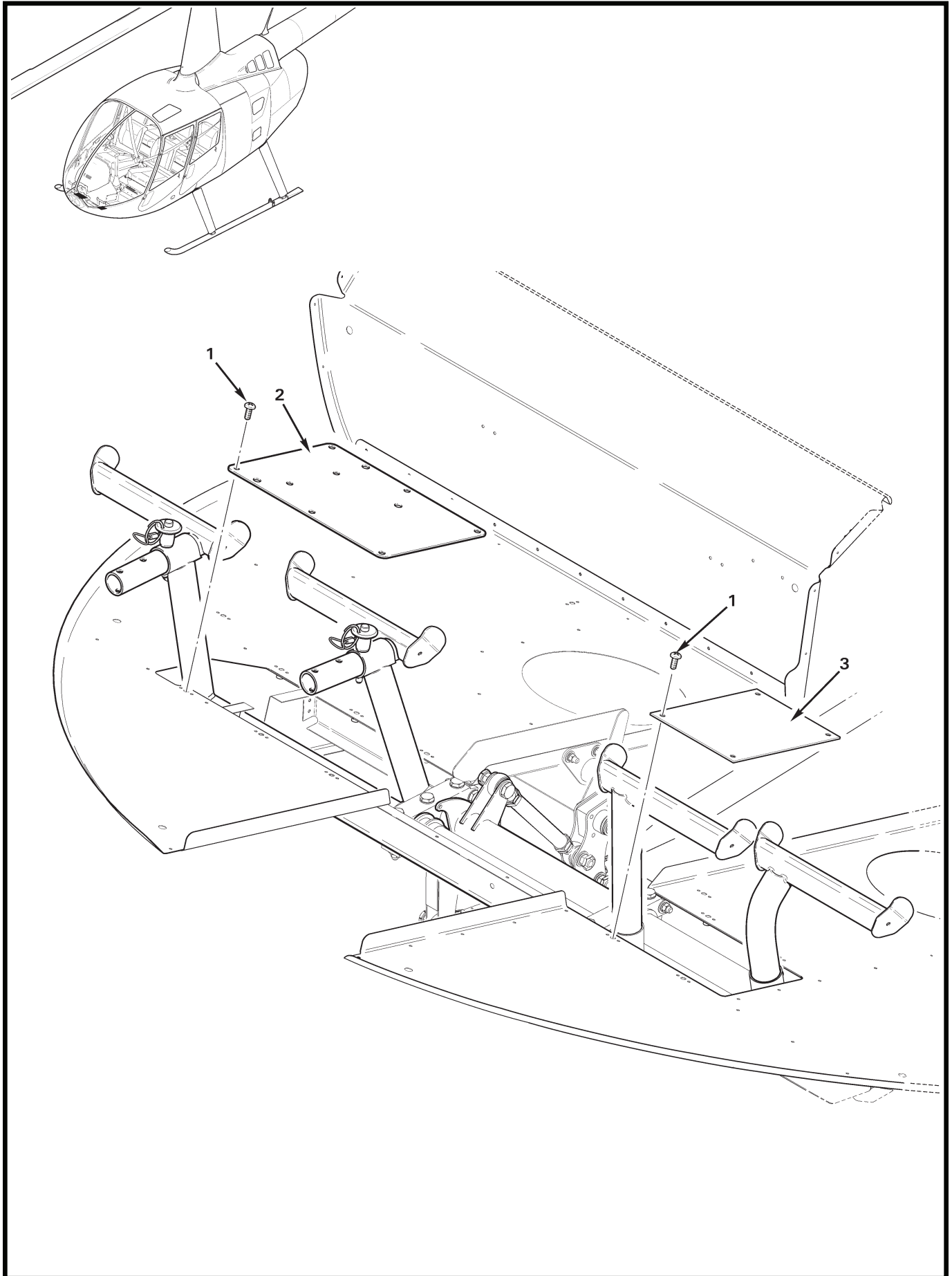
FIGURE AND INDEX NUMBER	PART NUMBER	DESCRIPTION	PARTS AVAIL	QTY PER ASSY
TAIL ROTOR CONTROLS – ADJUSTABLE PEDALS				
67-29-1	F755-1	Pedal – Pilot Side (left and right foot)	X	2
2	C343-13*	Tube Assembly (Incl items 3, and 9 thru 11)	X	1
3	C343-14	Tube (Ref)		
4	NAS6604-9	Bolt	X	4
5	NAS1149FN432P	Washer	X	4
6	C317-9	Bellcrank Assembly (Ref; see Figure 67-35)		
7	D210-4	Nut	X	4
8	B330-13	Palnut	X	4
9	AN316-5R	Nut	X	2
10	B330-16	Palnut	X	2
11	A101-4	Rod End	X	2
12	C343-11**	Tube Assembly (Incl items 9 thru 11, and 13)	X	1
13	C343-12	Tube (Ref)		
14	B232-1	Pin (locking; button handle)	X	2
15	F033	Lower Console Assembly (Ref)		
16	D755-4	Pedal Assembly (right foot, includes items 14, and 27 thru 29)	X	1
17	NAS6603-20	Bolt	X	6
18	NAS1149FO332P	Washer	X	20
19	D210-3	Nut	X	14
20	A318-1-2	Bearing Block Set (install using item 21 in grooves)	X	1
21	A257-1	Grease	X	A/R
22	NAS6603-13	Bolt	X	4
23	NAS1149F0436P	Washer	X	4
24	F755-3	Pedal Assembly – Co-Pilot (right foot, includes item 26)	X	1
	F755-10	Pedal Assembly – Short Co-Pilot (right foot, includes item 26)	X	1
25	F755-2	Pedal Assembly – Co-Pilot (left foot, includes item 26)	X	1
	F755-9	Pedal Assembly – Short Co-Pilot (left foot, includes item 26)	X	1
26	A795-4	Pin	X	2
27	MS24665-132	Cotter Pin	X	2
28	NAS1149D0316J	Washer (or AN960PD10L)	X	2
29	MS20392-2C33	Flathead Pin	X	2
30	D755-1	Pedal Assembly (left foot, includes items 14, and 27 thru 29)	X	1
31	A359-2	Support – RH	X	1
32	MS20470AD4	Rivet	X	20
33	MS20470AD3	Rivet	X	4

NOTES * 5.30-inch nominal center to center. Apply B270-21 protectant to threads.
 ** 5.82-inch nominal center to center. Apply B270-21 protectant to threads.

Continues

FIGURE AND INDEX NUMBER	PART NUMBER	DESCRIPTION	PARTS AVAIL	QTY PER ASSY
TAIL ROTOR CONTROLS – ADJUSTABLE PEDALS (Cont'd)				
67-29-34	A359-1	Support – LH	X	1
35	NAS9301B-4-02	Rivet	X	2
36	B232-3	Pin (Locking; button handle with lanyard and tab. Ref; to replace, order item 14.)	O	2
NOTES				

Intentionally Blank



REVISION LOG

SEP 2023

The R66 Illustrated Parts Catalog (IPC) list of effective pages and effective dates are given below. If a previously issued page is not listed below, it is no longer an effective page and must be discarded. The issue or revision date is in bold at the top of each revision log page.

Please visit <https://robinsonheli.com>, to verify the issue or revision date is current.

<u>Page</u>	<u>Date</u>	<u>Page</u>	<u>Date</u>	<u>Page</u>	<u>Date</u>
i	SEP 2023	6.7	SEP 2018	6.40	SEP 2018
ii	SEP 2023	6.8	SEP 2018	6.41	SEP 2018
iii	JAN 2023	6.9	SEP 2018	6.42	SEP 2018
iv	JAN 2023	6.10	SEP 2018	6.43	SEP 2018
v	JAN 2023	6.11	SEP 2018	6.44	SEP 2018
vi	JAN 2023	6.12	SEP 2018		
vii	JAN 2023	6.13	SEP 2018	8.i	SEP 2023
viii	JAN 2023	6.14	SEP 2018	8.0	SEP 2023
ix	JAN 2023	6.15	SEP 2018	8.1	SEP 2023
x	JAN 2023	6.16	SEP 2018	8.2	SEP 2023
xi	JAN 2023	6.17	SEP 2018		
xii	JAN 2023	6.18	SEP 2018	9.i	SEP 2020
xiii	JAN 2023	6.19	SEP 2018	9.0	SEP 2020
xiv	JAN 2023	6.20	SEP 2018	9.1	SEP 2020
xv	JAN 2023	6.21	SEP 2018	9.2	SEP 2020
xvi	JAN 2023	6.22	SEP 2018	9.3	SEP 2020
xvii	JAN 2023	6.23	SEP 2018	9.3A	SEP 2020
xviii	JAN 2023	6.24	SEP 2018	9.3B	SEP 2020
xix	JAN 2023	6.25	SEP 2018	9.4	SEP 2020
xx	JAN 2023	6.26	SEP 2018	9.5	SEP 2020
xxi	JAN 2023	6.27	SEP 2018	9.6	SEP 2020
xxii	JAN 2023	6.28	SEP 2018	9.7	SEP 2020
		6.29	SEP 2018	9.7A	SEP 2020
6.i	SEP 2018	6.30	SEP 2018	9.7B	SEP 2020
6.0	SEP 2018	6.31	SEP 2018	9.7C	SEP 2020
6.1	SEP 2018	6.32	SEP 2018	9.7D	SEP 2020
6.2	SEP 2018	6.33	SEP 2018	9.8	SEP 2020
6.3	JAN 2023	6.34	SEP 2018	9.9	SEP 2020
6.4	JAN 2023	6.35	SEP 2018	9.10	SEP 2020
6.5	JAN 2023	6.36	SEP 2018		
6.5A	JAN 2023	6.37	SEP 2018	10.i	JAN 2023
6.5B	JAN 2023	6.38	SEP 2018	10.0	JAN 2023
6.6	JAN 2023	6.39	SEP 2018	10.1	JAN 2023

REVISION LOG

SEP 2023

<u>Page</u>	<u>Date</u>	<u>Page</u>	<u>Date</u>	<u>Page</u>	<u>Date</u>
10.2	JAN 2023			21.20	SEP 2018
10.3	25 OCT 2010	12.i	SEP 2018	21.21	SEP 2018
10.4	25 OCT 2010	12.0	SEP 2018	21.22	SEP 2018
10.5	SEP 2018	12.1	SEP 2018	21.23	SEP 2012
10.6	SEP 2018	12.2	SEP 2018	21.24	SEP 2012
10.7	MAY 2015	12.3	SEP 2018	21.25	JAN 2023
10.8	MAY 2015	12.4	SEP 2018	21.26	JAN 2023
10.9	JAN 2023			21.27	JAN 2023
10.10	JAN 2023	18.i	25 OCT 2010	21.28	JAN 2023
10.11	JAN 2023	18.0	25 OCT 2010	21.29	SEP 2012
10.12	JAN 2023	18.1	25 OCT 2010	21.30	SEP 2012
		18.2	25 OCT 2010	21.31	SEP 2012
11.i	JAN 2023	18.3	25 OCT 2010	21.32	SEP 2012
11.0	JAN 2023	18.4	25 OCT 2010	21.33	SEP 2012
11.1	JAN 2023			21.34	SEP 2012
11.2	JAN 2023	21.i	JAN 2023	21.35	SEP 2018
11.3	JAN 2023	21.0	JAN 2023	21.36	SEP 2018
11.4	JAN 2023	21.1	JAN 2023	21.37	MAY 2015
11.5	JAN 2023	21.2	JAN 2023	21.38	MAY 2015
11.6	JAN 2023	21.3	JAN 2023	21.39	SEP 2018
11.7	JAN 2023	21.4	JAN 2023	21.40	SEP 2018
11.8	JAN 2023	21.5	SEP 2018		
11.9	JAN 2023	21.6	SEP 2018	22.i	JAN 2023
11.10	JAN 2023	21.7	SEP 2018	22.0	JAN 2023
11.11	JAN 2023	21.8	SEP 2018	22.1	JAN 2023
11.12	JAN 2023	21.9	JAN 2023	22.2	JAN 2023
11.13	JAN 2023	21.10	JAN 2023	22.3	JAN 2023
11.14	JAN 2023	21.11	JAN 2023	22.4	JAN 2023
11.15	JAN 2023	21.11A	JAN 2023	22.5	JAN 2023
11.16	JAN 2023	21.11B	JAN 2023	22.6	JAN 2023
11.17	JAN 2023	21.12	JAN 2023	22.7	JAN 2023
11.18	JAN 2023	21.13	JAN 2023	22.8	JAN 2023
11.19	JAN 2023	21.14	JAN 2023		
11.20	JAN 2023	21.15	JAN 2023	25.i	JAN 2023
11.21	JAN 2023	21.16	JAN 2023	25.0	JAN 2023
11.22	JAN 2023	21.17	SEP 2018	25.1	JAN 2023
11.23	JAN 2023	21.18	SEP 2018	25.2	JAN 2023
11.24	JAN 2023	21.19	SEP 2018	25.3	SEP 2018

REVISION LOG

SEP 2023

<u>Page</u>	<u>Date</u>	<u>Page</u>	<u>Date</u>	<u>Page</u>	<u>Date</u>
25.4	SEP 2018	25.42	SEP 2018	28.29	SEP 2020
25.5	SEP 2018	25.43	SEP 2018	28.30	SEP 2020
25.6	SEP 2018	25.44	SEP 2018	28.31	SEP 2020
25.7	MAY 2015	25.45	JAN 2023	28.32	SEP 2020
25.8	MAY 2015	25.46	JAN 2023	28.33	SEP 2020
25.9	SEP 2018	25.47	JAN 2023	28.34	SEP 2020
25.10	SEP 2018	25.48	JAN 2023	28.35	JAN 2023
25.11	SEP 2018			28.36	JAN 2023
25.12	SEP 2018	28.i	JAN 2023	28.37	JAN 2023
25.13	JAN 2023	28.0	JAN 2023	28.38	JAN 2023
25.14	JAN 2023	28.1	JAN 2023	28.39	JAN 2023
25.15	JAN 2023	28.2	JAN 2023	28.40	JAN 2023
25.16	JAN 2023	28.3	SEP 2018	28.41	JAN 2023
25.17	SEP 2020	28.4	SEP 2018	28.42	JAN 2023
25.18	SEP 2020	28.5	SEP 2020	28.43	JAN 2023
25.19	SEP 2018	28.6	SEP 2020	28.44	JAN 2023
25.20	SEP 2018	28.7	SEP 2020	28.45	JAN 2023
25.21	SEP 2018	28.8	SEP 2020	28.46	JAN 2023
25.22	SEP 2018	28.9	SEP 2020	28.47	JAN 2023
25.23	SEP 2018	28.10	SEP 2020	28.48	JAN 2023
25.24	SEP 2018	28.11	JAN 2023	28.49	JAN 2023
25.25	SEP 2018	28.12	JAN 2023	28.50	JAN 2023
25.26	SEP 2018	28.13	JAN 2023		
25.27	SEP 2018	28.14	JAN 2023	29.i	MAY 2015
25.28	SEP 2018	28.15	SEP 2020	29.0	MAY 2015
25.29	SEP 2018	28.16	SEP 2020	29.1	SEP 2018
25.30	SEP 2018	28.17	JAN 2023	29.2	SEP 2018
25.31	SEP 2018	28.18	JAN 2023	29.3	MAY 2015
25.32	SEP 2018	28.19	JAN 2023	29.4	MAY 2015
25.33	SEP 2018	28.20	JAN 2023	29.5	MAY 2015
25.34	SEP 2018	28.21	JAN 2023	29.6	MAY 2015
25.35	SEP 2018	28.22	JAN 2023	29.7	MAY 2015
25.36	SEP 2018	28.23	SEP 2020	29.8	MAY 2015
25.37	SEP 2018	28.24	SEP 2020	29.9	MAY 2015
25.38	SEP 2018	28.25	JAN 2023	29.10	MAY 2015
25.39	SEP 2018	28.26	JAN 2023	29.11	MAY 2015
25.40	SEP 2018	28.27	JAN 2023	29.12	MAY 2015
25.41	SEP 2018	28.28	JAN 2023		

REVISION LOG

SEP 2023

<u>Page</u>	<u>Date</u>	<u>Page</u>	<u>Date</u>	<u>Page</u>	<u>Date</u>
32.i.....	SEP 2020	33.14.....	MAY 2015	53.0.....	SEP 2023
32.0.....	SEP 2020	33.15.....	SEP 2018	53.1.....	SEP 2023
32.1.....	SEP 2020	33.16.....	SEP 2018	53.1A.....	SEP 2023
32.2.....	SEP 2020			53.1B.....	SEP 2023
32.3.....	MAY 2015	52.i.....	SEP 2023	53.2.....	SEP 2023
32.4.....	MAY 2015	52.0.....	SEP 2023	53.3.....	SEP 2018
32.5.....	SEP 2018	52.1.....	SEP 2018	53.4.....	SEP 2018
32.6.....	SEP 2018	52.2.....	SEP 2018	53.5.....	MAY 2015
32.7.....	SEP 2018	52.3.....	JAN 2023	53.6.....	MAY 2015
32.8.....	SEP 2018	52.4.....	JAN 2023	53.7.....	SEP 2018
32.9.....	MAY 2015	52.5.....	JAN 2023	53.8.....	SEP 2018
32.10.....	MAY 2015	52.5A.....	JAN 2023	53.9.....	SEP 2012
32.11.....	SEP 2018	52.5B.....	JAN 2023	53.10.....	SEP 2012
32.12.....	SEP 2018	52.6.....	JAN 2023	53.11.....	SEP 2018
32.13.....	MAY 2015	52.7.....	SEP 2012	53.12.....	SEP 2018
32.14.....	MAY 2015	52.8.....	SEP 2012	53.13.....	JAN 2023
32.15.....	MAY 2015	52.9.....	JAN 2023	53.14.....	JAN 2023
32.16.....	MAY 2015	52.10.....	JAN 2023	53.15.....	SEP 2023
32.17.....	SEP 2020	52.11.....	JAN 2023	53.16.....	SEP 2023
32.18.....	SEP 2020	52.12.....	JAN 2023	53.17.....	SEP 2023
32.19.....	SEP 2020	52.13.....	JAN 2023	53.18.....	SEP 2023
32.20.....	SEP 2020	52.14.....	JAN 2023	53.19.....	MAY 2015
		52.15.....	SEP 2020	53.20.....	MAY 2015
33.i.....	SEP 2023	52.16.....	SEP 2020	53.21.....	MAY 2015
33.0.....	SEP 2023	52.17.....	SEP 2023	53.22.....	MAY 2015
33.1.....	SEP 2023	52.18.....	SEP 2023	53.23.....	SEP 2023
33.2.....	SEP 2023	52.19.....	JAN 2023	53.24.....	SEP 2023
33.3.....	SEP 2023	52.20.....	JAN 2023	53.25.....	SEP 2023
33.4.....	SEP 2023	52.21.....	SEP 2023	53.26.....	SEP 2023
33.5.....	SEP 2020	52.22.....	SEP 2023	53.27.....	SEP 2023
33.6.....	SEP 2020	52.23.....	SEP 2023	53.28.....	SEP 2023
33.7.....	SEP 2020	52.24.....	SEP 2023	53.29.....	SEP 2023
33.8.....	SEP 2020	52.25.....	SEP 2023	53.30.....	SEP 2023
33.9.....	SEP 2018	52.26.....	SEP 2023	53.31.....	SEP 2023
33.10.....	SEP 2018	52.27.....	SEP 2023	53.32.....	SEP 2023
33.11.....	MAY 2015	52.28.....	SEP 2023	53.33.....	SEP 2023
33.12.....	MAY 2015			53.34.....	SEP 2023
33.13.....	MAY 2015	53.i.....	SEP 2023	53.35.....	SEP 2023

REVISION LOG

SEP 2023

<u>Page</u>	<u>Date</u>	<u>Page</u>	<u>Date</u>	<u>Page</u>	<u>Date</u>
53.36	SEP 2023	65.2	JAN 2023	67.23	MAY 2015
53.37	SEP 2023	65.3	JAN 2023	67.24	MAY 2015
53.38	SEP 2023	65.4	JAN 2023	67.25	JAN 2023
		65.5	JAN 2023	67.26	JAN 2023
62.i	SEP 2020	65.6	JAN 2023	67.27	SEP 2023
62.0	SEP 2020	65.7	SEP 2018	67.28	SEP 2023
62.1	JAN 2023	65.8	SEP 2018	67.29	SEP 2023
62.2	JAN 2023	65.9	SEP 2020	67.29A	SEP 2023
62.3	SEP 2020	65.10	SEP 2020	67.29B	SEP 2023
62.4	SEP 2020	65.11	MAY 2015	67.30	SEP 2023
		65.12	MAY 2015	67.31	JAN 2023
63.i	SEP 2018	65.13	SEP 2018	67.32	JAN 2023
63.0	SEP 2018	65.14	SEP 2018	67.33	JAN 2023
63.1	SEP 2018			67.33A	JAN 2023
63.2	SEP 2018	67.i	JAN 2023	67.33B	JAN 2023
63.3	SEP 2018	67.0	JAN 2023	67.34	JAN 2023
63.4	SEP 2018	67.1	JAN 2023	67.35	SEP 2018
63.5	SEP 2018	67.2	JAN 2023	67.36	SEP 2018
63.6	SEP 2018	67.3	JAN 2023	67.37	MAY 2015
63.7	SEP 2018	67.4	JAN 2023	67.38	MAY 2015
63.8	SEP 2018	67.5	MAY 2015	67.39	JAN 2023
63.9	SEP 2018	67.6	MAY 2015	67.40	JAN 2023
63.10	SEP 2018	67.7	MAY 2015	67.41	JAN 2023
63.11	SEP 2018	67.8	MAY 2015	67.42	JAN 2023
63.12	SEP 2018	67.9	SEP 2018	67.43	JAN 2023
63.13	JAN 2023	67.10	SEP 2018	67.44	JAN 2023
63.14	JAN 2023	67.11	SEP 2018	67.45	JAN 2023
63.15	JAN 2023	67.12	SEP 2018	67.46	JAN 2023
63.16	JAN 2023	67.13	MAY 2015	67.47	JAN 2023
		67.14	MAY 2015	67.48	JAN 2023
64.i	JAN 2023	67.15	MAY 2015		
64.0	JAN 2023	67.16	MAY 2015	71.i	JAN 2023
64.1	JAN 2023	67.17	MAY 2015	71.0	JAN 2023
64.2	JAN 2023	67.18	MAY 2015	71.1	JAN 2023
		67.19	MAY 2015	71.2	JAN 2023
65.i	SEP 2018	67.20	MAY 2015	71.3	JAN 2023
65.0	SEP 2018	67.21	MAY 2015	71.4	JAN 2023
65.1	JAN 2023	67.22	MAY 2015	71.5	JAN 2023

REVISION LOG

SEP 2023

<u>Page</u>	<u>Date</u>	<u>Page</u>	<u>Date</u>	<u>Page</u>	<u>Date</u>
71.5A	JAN 2023	76.2	JAN 2023	90.6	SEP 2020
71.5B	JAN 2023	76.3	SEP 2012	90.7	SEP 2020
71.6	JAN 2023	76.4	SEP 2012	90.7A	SEP 2020
71.7	JAN 2023	76.5	SEP 2018	90.7B	SEP 2020
71.7A	JAN 2023	76.6	SEP 2018	90.7C	SEP 2020
71.7B	JAN 2023	76.7	SEP 2012	90.7D	SEP 2020
71.7C	JAN 2023	76.8	SEP 2012	90.8	SEP 2020
71.7D	JAN 2023			90.9	SEP 2018
71.8	JAN 2023	79.i	SEP 2012	90.10	SEP 2018
71.9	SEP 2018	79.0	SEP 2012	90.11	SEP 2018
71.10	SEP 2018	79.1	SEP 2018	90.12	SEP 2018
71.11	SEP 2018	79.2	SEP 2018	90.13	SEP 2018
71.12	SEP 2018	79.3	JAN 2023	90.14	SEP 2018
71.13	SEP 2018	79.4	JAN 2023	90.15	SEP 2018
71.14	SEP 2018	79.5	JAN 2023	90.16	SEP 2018
71.15	SEP 2018	79.6	JAN 2023	90.17	SEP 2018
71.16	SEP 2018	79.7	SEP 2020	90.18	SEP 2018
71.17	SEP 2020	79.8	SEP 2020	90.19	SEP 2018
71.18	SEP 2020	79.9	SEP 2020	90.20	SEP 2018
71.19	SEP 2020	79.10	SEP 2020	90.21	SEP 2018
71.20	SEP 2020			90.22	SEP 2018
71.21	SEP 2018	90.i	SEP 2020	90.23	SEP 2020
71.22	SEP 2018	90.ii	SEP 2020	90.24	SEP 2020
71.23	SEP 2020	90.iii	SEP 2020	90.25	SEP 2018
71.24	SEP 2020	90.iv	SEP 2020	90.26	SEP 2018
71.25	SEP 2020	90.v	SEP 2020	90.27	SEP 2018
71.26	SEP 2020	90.vi	SEP 2020	90.28	SEP 2018
71.27	SEP 2020	90.vii	SEP 2020	90.29	SEP 2018
71.28	SEP 2020	90.0	SEP 2020	90.30	SEP 2018
		90.1	SEP 2020	90.31	SEP 2018
75.i	SEP 2012	90.2	SEP 2020	90.32	SEP 2018
75.0	SEP 2012	90.3	SEP 2020	90.33	SEP 2018
75.1	SEP 2012	90.4	SEP 2020	90.34	SEP 2018
75.2	SEP 2012	90.5	SEP 2020	90.35	SEP 2018
		90.5A	SEP 2020	90.36	SEP 2018
76.i	JAN 2023	90.5B	SEP 2020	90.37	SEP 2018
76.0	JAN 2023	90.5C	SEP 2020	90.38	SEP 2018
76.1	JAN 2023	90.5D	SEP 2020	90.39	SEP 2020

REVISION LOG

SEP 2023

<u>Page</u>	<u>Date</u>	<u>Page</u>	<u>Date</u>	<u>Page</u>	<u>Date</u>
90.39A	SEP 2020	90.66	SEP 2020	92.11	SEP 2018
90.39B	SEP 2020	90.67	SEP 2020	92.12	SEP 2018
90.39C	SEP 2020	90.68	SEP 2020	92.13	SEP 2018
90.39D	SEP 2020	90.69	SEP 2018	92.14	SEP 2018
90.40	SEP 2020	90.70	SEP 2018	92.15	SEP 2018
90.41	SEP 2020	90.71	SEP 2020	92.16	SEP 2018
90.42	SEP 2020	90.71A	SEP 2020	92.17	SEP 2018
90.43	SEP 2020	90.71B	SEP 2020	92.18	SEP 2018
90.44	SEP 2020	90.71C	SEP 2020	92.19	SEP 2018
90.45	SEP 2020	90.71D	SEP 2020	92.20	SEP 2018
90.45A	SEP 2020	90.72	SEP 2020	92.21	SEP 2018
90.45B	SEP 2020	90.73	SEP 2020	92.22	SEP 2018
90.45C	SEP 2020	90.74	SEP 2020	92.23	SEP 2018
90.45D	SEP 2020	90.75	SEP 2018	92.24	SEP 2018
90.46	SEP 2020	90.76	SEP 2018	92.25	SEP 2018
90.47	SEP 2020	90.77	SEP 2020	92.26	SEP 2018
90.48	SEP 2020	90.78	SEP 2020	92.27	SEP 2018
90.49	SEP 2020	90.79	SEP 2020	92.28	SEP 2018
90.50	SEP 2020	90.80	SEP 2020	92.29	SEP 2018
90.51	SEP 2020			92.30	SEP 2018
90.52	SEP 2020	92.i	SEP 2018	92.31	SEP 2018
90.53	SEP 2020	92.ii	SEP 2018	92.32	SEP 2018
90.53A	SEP 2020	92.iii	SEP 2018	92.33	SEP 2018
90.53B	SEP 2020	92.iv	SEP 2018	92.34	SEP 2018
90.53C	SEP 2020	92.v	SEP 2018	92.35	SEP 2018
90.53D	SEP 2020	92.vi	SEP 2018	92.36	SEP 2018
90.54	SEP 2020	92.vii	SEP 2018	92.37	SEP 2018
90.55	SEP 2018	92.0	SEP 2018	92.38	SEP 2018
90.56	SEP 2018	92.1	SEP 2018	92.39	SEP 2018
90.57	SEP 2018	92.2	SEP 2018	92.40	SEP 2018
90.58	SEP 2018	92.3	SEP 2018	92.41	SEP 2018
90.59	SEP 2020	92.4	SEP 2018	92.42	SEP 2018
90.60	SEP 2020	92.5	SEP 2018	92.43	SEP 2018
90.61	SEP 2020	92.6	SEP 2018	92.44	SEP 2018
90.62	SEP 2020	92.7	SEP 2018	92.45	SEP 2018
90.63	SEP 2020	92.8	SEP 2018	92.46	SEP 2018
90.64	SEP 2020	92.9	SEP 2018	92.47	SEP 2018
90.65	SEP 2020	92.10	SEP 2018	92.48	SEP 2018

REVISION LOG

SEP 2023

<u>Page</u>	<u>Date</u>	<u>Page</u>	<u>Date</u>	<u>Page</u>	<u>Date</u>
92.49.....	SEP 2018	95.2.....	SEP 2020	95.38.....	SEP 2018
92.50.....	SEP 2018	95.3.....	SEP 2020	95.39.....	SEP 2018
92.51.....	SEP 2018	95.4.....	SEP 2020	95.40.....	SEP 2018
92.52.....	SEP 2018	95.5.....	SEP 2020	95.41.....	SEP 2018
92.53.....	SEP 2020	95.6.....	SEP 2020	95.42.....	SEP 2018
92.54.....	SEP 2020	95.7.....	SEP 2020	95.43.....	SEP 2018
92.55.....	SEP 2018	95.8.....	SEP 2020	95.44.....	SEP 2018
92.56.....	SEP 2018	95.9.....	SEP 2020	95.45.....	SEP 2018
92.57.....	SEP 2018	95.9A.....	SEP 2020	95.46.....	SEP 2018
92.58.....	SEP 2018	95.9B.....	SEP 2020	95.47.....	SEP 2018
92.59.....	SEP 2018	95.10.....	SEP 2020	95.48.....	SEP 2018
92.60.....	SEP 2018	95.11.....	SEP 2018	95.49.....	SEP 2018
92.61.....	SEP 2020	95.12.....	SEP 2018	95.50.....	SEP 2018
92.62.....	SEP 2020	95.13.....	SEP 2018	95.51.....	SEP 2018
92.63.....	SEP 2018	95.14.....	SEP 2018	95.52.....	SEP 2018
92.64.....	SEP 2018	95.15.....	SEP 2018		
92.65.....	SEP 2020	95.16.....	SEP 2018	96.i.....	JAN 2023
92.66.....	SEP 2020	95.17.....	SEP 2018	96.0.....	JAN 2023
92.67.....	SEP 2018	95.18.....	SEP 2018	96.1.....	JAN 2023
92.68.....	SEP 2018	95.19.....	SEP 2018	96.2.....	JAN 2023
92.69.....	SEP 2018	95.20.....	SEP 2018	96.3.....	JAN 2023
92.70.....	SEP 2018	95.21.....	SEP 2018	96.3A.....	JAN 2023
92.71.....	SEP 2018	95.22.....	SEP 2018	96.3B.....	JAN 2023
92.72.....	SEP 2018	95.23.....	SEP 2018	96.4.....	JAN 2023
92.73.....	SEP 2018	95.24.....	SEP 2018	96.5.....	JAN 2023
92.74.....	SEP 2018	95.25.....	SEP 2020	96.6.....	JAN 2023
92.75.....	SEP 2018	95.26.....	SEP 2020	96.7.....	JAN 2023
92.76.....	SEP 2018	95.27.....	SEP 2020	96.8.....	JAN 2023
92.77.....	SEP 2018	95.28.....	SEP 2020	96.9.....	JAN 2023
92.78.....	SEP 2018	95.29.....	SEP 2020	96.9A.....	JAN 2023
92.79.....	SEP 2018	95.30.....	SEP 2020	96.9B.....	JAN 2023
92.80.....	SEP 2018	95.31.....	SEP 2018	96.10.....	JAN 2023
92.81.....	SEP 2018	95.32.....	SEP 2018	96.11.....	SEP 2018
92.82.....	SEP 2018	95.33.....	SEP 2018	96.12.....	SEP 2018
		95.34.....	SEP 2018	96.13.....	SEP 2018
95.i.....	SEP 2020	95.35.....	SEP 2018	96.14.....	SEP 2018
95.0.....	SEP 2020	95.36.....	SEP 2018	96.15.....	SEP 2020
95.1.....	SEP 2020	95.37.....	SEP 2018	96.16.....	SEP 2020

REVISION LOG

SEP 2023

<u>Page</u>	<u>Date</u>	<u>Page</u>	<u>Date</u>	<u>Page</u>	<u>Date</u>
96.17	SEP 2020	97.4	MAY 2015	97.42	SEP 2018
96.18	SEP 2020	97.5	MAY 2015	97.43	SEP 2018
96.19	MAY 2015	97.6	MAY 2015	97.44	SEP 2018
96.20	MAY 2015	97.7	MAY 2015	97.45	SEP 2018
96.21	SEP 2018	97.8	MAY 2015	97.46	SEP 2018
96.22	SEP 2018	97.9	MAY 2015	97.47	SEP 2018
96.23	SEP 2018	97.10	MAY 2015	97.48	SEP 2018
96.24	SEP 2018	97.11	SEP 2018	97.49	SEP 2018
96.25	SEP 2018	97.12	SEP 2018	97.50	SEP 2018
96.26	SEP 2018	97.13	MAY 2015	97.51	SEP 2018
96.27	SEP 2018	97.14	MAY 2015	97.52	SEP 2018
96.28	SEP 2018	97.15	MAY 2015	97.53	SEP 2018
96.29	SEP 2020	97.16	MAY 2015	97.54	SEP 2018
96.30	SEP 2020	97.17	MAY 2015	97.55	SEP 2018
96.31	SEP 2018	97.18	MAY 2015	97.56	SEP 2018
96.32	SEP 2018	97.19	MAY 2015	97.57	JAN 2023
96.33	SEP 2018	97.20	MAY 2015	97.58	JAN 2023
96.34	SEP 2018	97.21	MAY 2015	97.59	JAN 2023
96.35	SEP 2018	97.22	MAY 2015	97.60	JAN 2023
96.36	SEP 2018	97.23	SEP 2018	97.61	SEP 2018
96.37	SEP 2018	97.24	SEP 2018	97.62	SEP 2018
96.38	SEP 2018	97.25	SEP 2018	97.63	SEP 2018
96.39	SEP 2018	97.26	SEP 2018	97.64	SEP 2018
96.40	SEP 2018	97.27	SEP 2018	97.65	SEP 2018
96.41	SEP 2018	97.28	SEP 2018	97.66	SEP 2018
96.42	SEP 2018	97.29	SEP 2018	97.67	SEP 2018
96.43	JAN 2023	97.30	SEP 2018	97.68	SEP 2018
96.44	JAN 2023	97.31	SEP 2018	97.69	SEP 2018
96.45	JAN 2023	97.32	SEP 2018	97.70	SEP 2018
96.46	JAN 2023	97.33	SEP 2018		
		97.34	SEP 2018	99.i	SEP 2018
97.i	SEP 2018	97.35	SEP 2018	99.0	SEP 2018
97.ii	SEP 2018	97.36	SEP 2018	99.1	SEP 2018
97.iii	MAY 2015	97.37	SEP 2018	99.2	SEP 2018
97.0	MAY 2015	97.38	SEP 2018	99.3	JAN 2023
97.1	MAY 2015	97.39	SEP 2018	99.4	JAN 2023
97.2	MAY 2015	97.40	SEP 2018	99.5	SEP 2018
97.3	MAY 2015	97.41	SEP 2018	99.6	SEP 2018

REVISION LOG

SEP 2023

<u>Page</u>	<u>Date</u>	<u>Page</u>	<u>Date</u>	<u>Page</u>	<u>Date</u>
99.7	SEP 2018				
99.8	SEP 2018				
99.9	SEP 2018				
99.10	SEP 2018				
100.i	SEP 2020				
100.0	SEP 2020				
100.1	SEP 2023				
100.2	SEP 2023				
100.3	SEP 2023				
100.4	SEP 2023				
100.5	SEP 2023				
100.6	SEP 2023				
100.7	SEP 2023				
100.8	SEP 2023				
100.9	SEP 2023				
100.10	SEP 2023				