

CHAPTER 96

ELECTRICAL SYSTEM

<i>Figure</i>	<i>Title</i>	<i>Page</i>
96-1	B237-7 (Standard) Battery Installation	96.0
96-3	B237-8 (Large) Battery Installation	96.2
96-5	Battery Relay Installation	96.4
96-9	Lithium-Ion Battery Installation	96.8
96-11	Lithium-Ion Battery Circuit Back-up Batteries	96.10
96-13	External Power Plug Installation	96.12
96-17	Starter-Generator and External Power Relay Installation	96.16
96-21	Circuit Breaker Panel	96.20
96-23	Hourmeter and Collective-Activated Switches Installation	96.22
96-27	Accessory Bars Installation	96.26
96-31	Starter Generator Relay and Battery Minder Installation	96.30
96-35	Lithium-Ion Battery Indicator Lights	96.34
96-37	Anti-Ice Switch Installation	96.36
96-39	G198-1 Annunciator and Related Sensors	96.38
96-41	Engine Fire, Cowl Door, and Low Voltage Sensors	96.40
96-43	Electrical Relay Installation	96.42
96-45	Cockpit Camera Installation	96.44

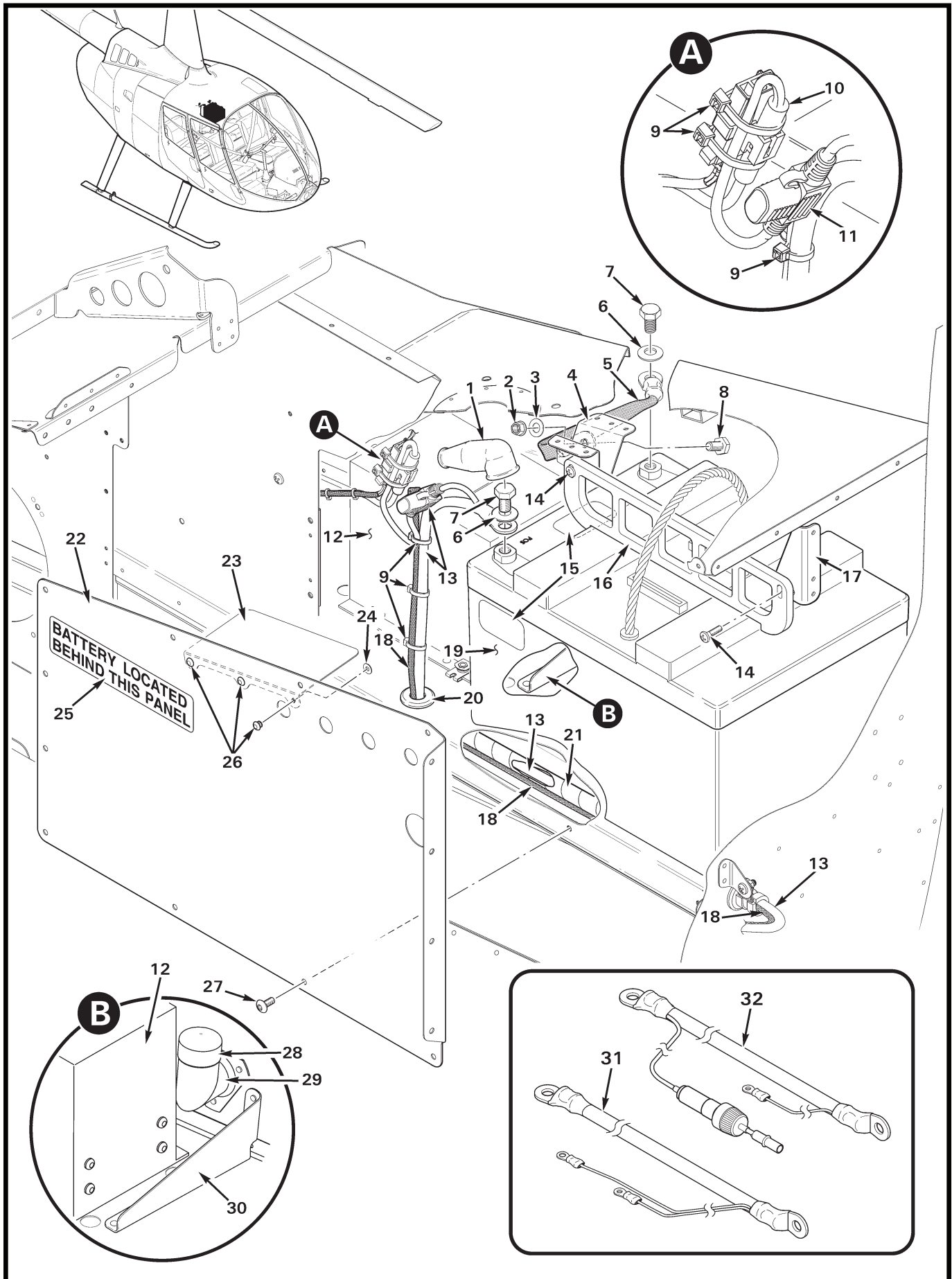


FIGURE AND INDEX NUMBER	PART NUMBER	DESCRIPTION	PARTS AVAIL	QTY PER ASSY
B237-7 (STANDARD) BATTERY INSTALLATION				
96-1-1	MS25171-2S	Nipple	X	1
2	D210-4	Nut	X	1
3	NAS1149F0432P	Washer	X	1
4	G130-5	Channel (Ref)		
5	A780-2	Cable Assembly (negative)	X	1
6	—	Washer (conical)	O	2
7	—	Bolt (hex head, M8)	O	2
8	AN4-3A	Bolt	X	1
9	MS3367-5-9	Ty-Rap	X	A/R
10	B263-61	Plug	X	1
	B263-56	Socket (not shown)	X	1
11	D262-12	Fuse Holder	X	1
	D275-230	Fuse (not shown)	X	1
12	RR30000466	Generator Control Unit (Ref)		
13	A780-76*	Cable Assembly (Positive; ship S/N 0860 and subsequent. Includes items 10 and 11.)	X	1
14	MS27039C0809	Screw	X	2
15	9589**	Decal – "DO NOT OVER TORQUE..."	X	1
16	G131-4	Plate	X	1
17	G130-4	Angle (Ref)		
18	F859-2819/-2882	Wires (Ref)		
19	B237-7	Battery (RG24-20**); includes items 6, 7, and 15)	X	1
20	MS35489-13	Grommet	X	1
21	B161-8	Spirap	X	A/R
22	G248-8	Cover Assembly (Incl items 23 thru 26)	X	1
23	G248-7	Guard	X	1
24	NAS1149FN416P	Washer	X	3
25	F654-24	Decal	X	1
26	SR-3035B	Rivet	X	3
27	B526-6	Screw	X	14
28	A959-12	Cap (black vinyl)	X	1
29	A372-11	Weldment (Ref)		
30	G130-6	Angle (Ref)		
31	A780-78	Cable Assembly (positive; ship S/N 0003 thru 0519)	X	1
32	A780-74	Cable Assembly (positive; ship S/N 0520 thru 0859)	X	1

NOTES * For ship S/N 0859 and prior, refer to KI-262 R66 Lead-Acid Battery Installation Upgrade Kit Instructions. See www.robinsonheli.com for kit contents and instructions.
 ** Concorde part number.

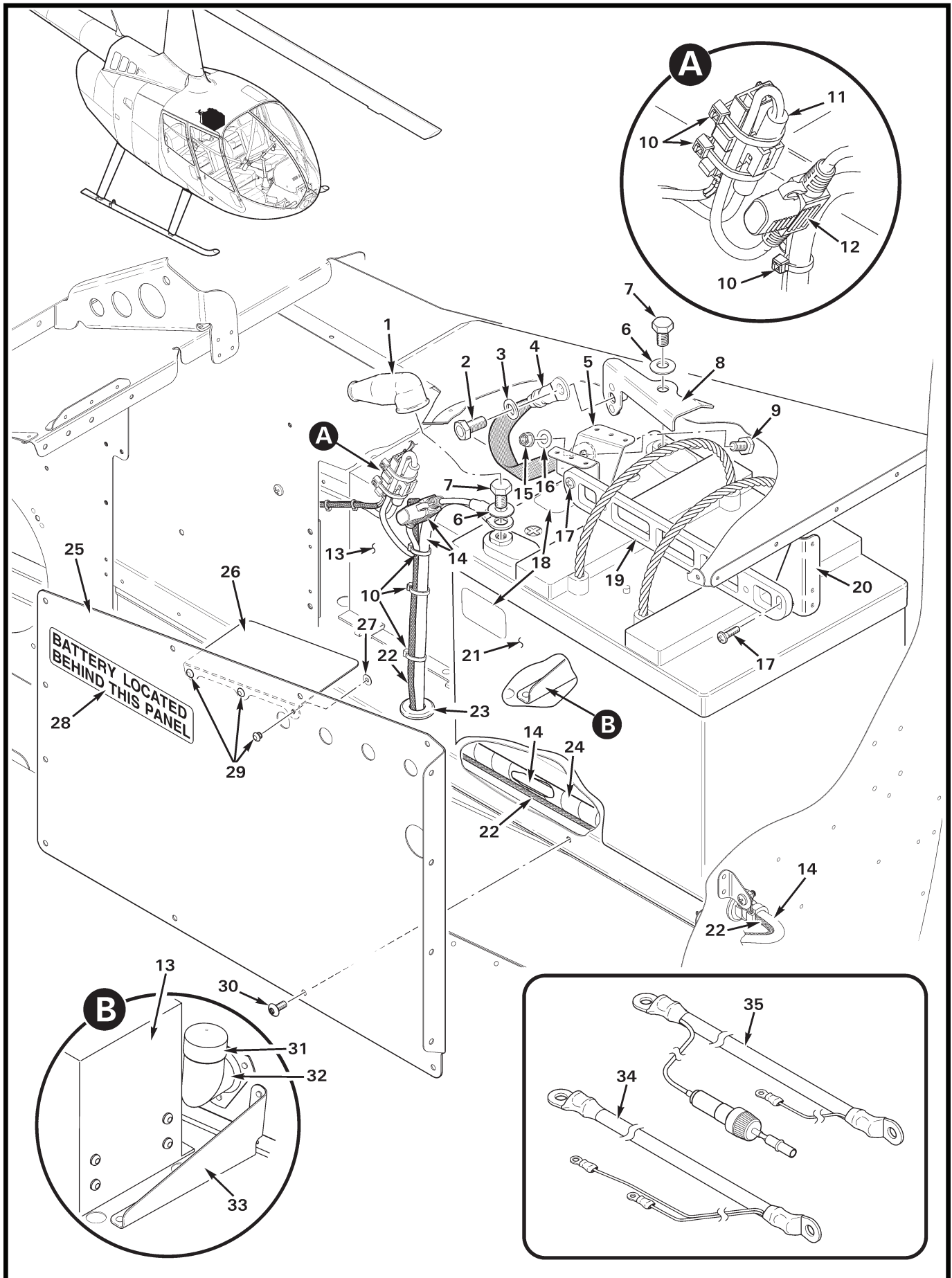


FIGURE AND INDEX NUMBER	PART NUMBER	DESCRIPTION	PARTS AVAIL	QTY PER ASSY
B237-8 (LARGE) BATTERY INSTALLATION				
96-3-1	MS25171-2S	Nipple	X	1
2	NAS6605-3	Bolt	X	1
3	NAS1149F0563P	Washer	X	1
4	A780-2	Cable Assembly (negative)	X	1
5	G130-5	Channel (Ref)		
6	—	Washer (conical)	O	2
7	—	Bolt (hex head, M8)	O	2
8	G131-5	Terminal Assembly	X	1
9	AN4-3A	Bolt	X	1
10	MS3367-5-9	Ty-Rap	X	A/R
11	B263-61	Plug	X	1
	B263-56	Socket (not shown)	X	1
12	D262-12	Fuse Holder	X	1
	D275-230	Fuse (not shown)	X	1
13	RR30000466	Generator Control Unit (Ref)		
14	A780-76*	Cable Assembly (Positive, ship S/N 0860 and subsequent. Includes items 11 and 12.)	X	1
15	D210-4	Nut	X	1
16	NAS1149F0432P	Washer	X	1
17	MS27039C0809	Screw	X	2
18	9589**	Decal – "DO NOT OVER TORQUE..."	X	1
19	G131-2	Plate	X	1
20	G130-4	Angle (Ref)		
21	B237-8	Battery (RG-325**, includes items 6, 7, and 18)	X	1
22	F859-2819/-2882	Wires (Ref, provision for lithium-ion battery installation)		
23	MS35489-13	Grommet	X	1
24	B161-8	Spirap	X	A/R
25	G248-8	Cover Assembly (Incl items 26 thru 29)	X	1
26	G248-7	Guard	X	1
27	NAS1149FN416P	Washer	X	3
28	F654-24	Decal	X	1
29	SR-3035B	Rivet	X	3
30	B526-6	Screw	X	14
31	A959-12	Cap (black vinyl)	X	1
32	A372-11	Weldment (Ref)		

NOTES * For ship S/N 0859 and prior, refer to KI-262 R66 Lead-Acid Battery Installation Upgrade Kit Instructions. See www.robinsonheli.com for kit contents and instructions.
 ** Concorde part number.

FIGURE AND INDEX NUMBER	PART NUMBER	DESCRIPTION	PARTS AVAIL	QTY PER ASSY
B237-8 (LARGE) BATTERY INSTALLATION (Cont'd)				
96-3-33	G130-6	Angle (Ref)		
34	A780-78	Cable Assembly (positive, ship S/N 0003 thru 0519)	X	1
35	A780-74	Cable Assembly (positive, ship S/N 0520 thru 0859)	X	1
NOTES				

Intentionally Blank

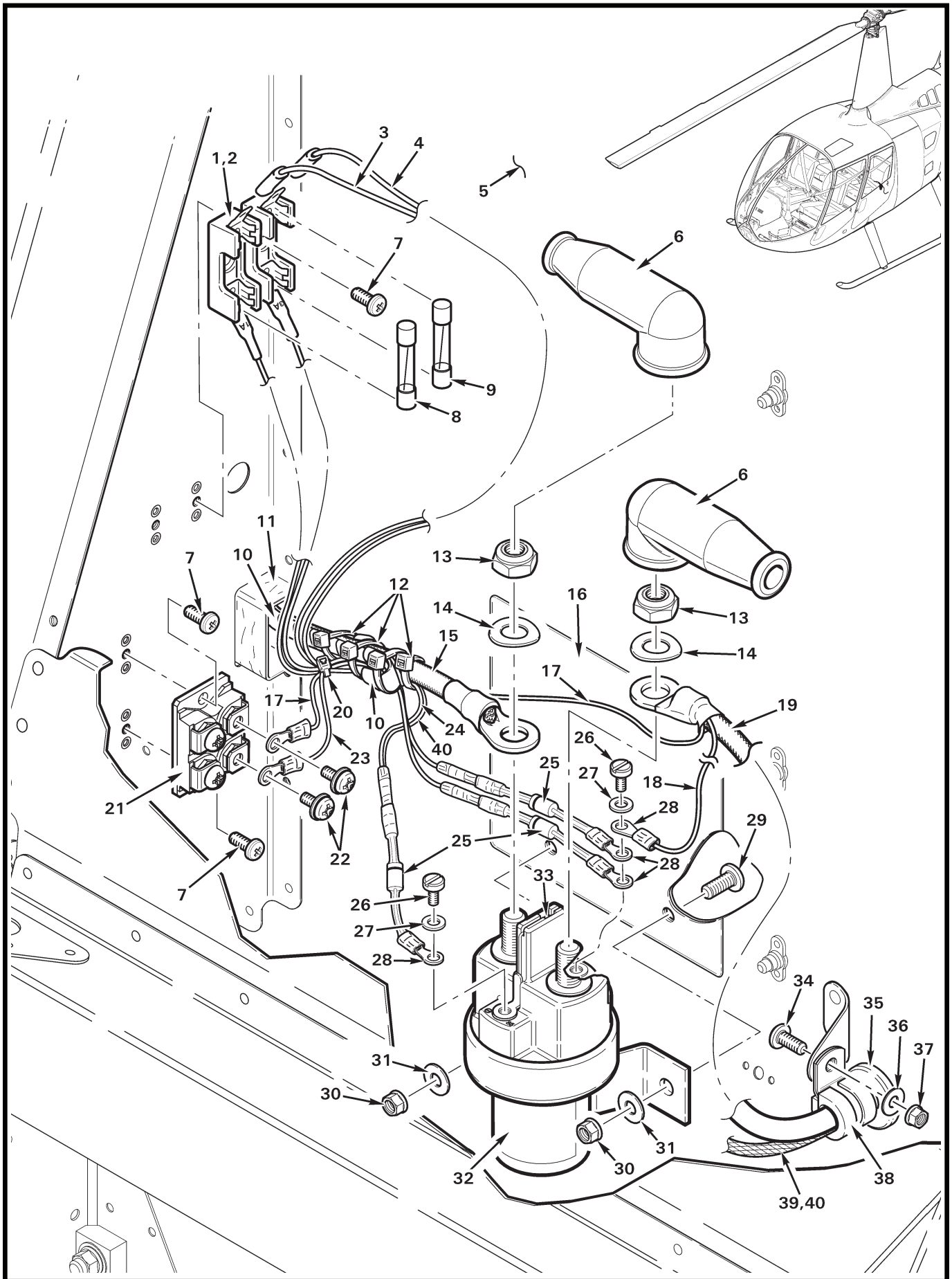


FIGURE AND INDEX NUMBER	PART NUMBER	DESCRIPTION	PARTS AVAIL	QTY PER ASSY
BATTERY RELAY INSTALLATION				
96-5-1	B304-12	Diode Assembly (Includes items 2, 8, 9, 25 [2], 28, wires, splices, and heat shrink as an assembly.)	X	1
2	D262-2	Fuse Block	X	1
3	F859-2291	Wire (Ref)		
	F059-2322	Wire (Ref; earlier ships with aft power receptacle)		
4	F859-66	Wire (Ref)		
	F059-66	Wire (Ref; earlier ships with aft power receptacle)		
5	G259	Bulkhead – Lower (Ref)		
6	MS25171-2S	Nipple	X	2
7	MS35206-228	Screw	X	A/R
8	D275-201	Fuse (1 amp)	X	1
9	D275-203	Fuse (3 amp)	X	1
10	B161-8	Spirap	X	A/R
11	A701-1	Tape (foil)	X	A/R
12	MS3367-5-9	Ty-Rap (large)	X	A/R
13	MS21044B5	Nut	O	2
14	01000424	Washer	X	2
15	A780-58	Cable Assembly	X	1
16	C452-5	Guard (clear plastic)	X	1
17	A780-2242	Wire (Ref; earlier ships with aft power receptacle)		
18	A780-64	Wire (Ref)		
19	A780-76	Cable Assembly (Ref, includes items 18 and terminals, assembled)	X	1
20	MS3367-3-9	Ty-Rap (small)	X	A/R
21	STPS80H100TV	Rectifier (Incl item 22; earlier ships with aft power receptacle)	X	1
22	—	Screw	O	4
23	F059-2324	Wire (Ref; earlier ships with aft power receptacle)		
24	F859-65	Wire (Ref)		
	F059-65	Wire (Ref; earlier ships with aft power receptacle)		
25	D275-102	Diode	X	3
26	01003621	Screw	X	2
27	01004635	Washer	X	2
28	B260-2	Terminal	X	2
29	MS27039C1-07	Screw	X	2
30	D210-3	Nut	X	2

NOTES

Continues

FIGURE AND INDEX NUMBER	PART NUMBER	DESCRIPTION	PARTS AVAIL	QTY PER ASSY
BATTERY RELAY INSTALLATION (Cont'd)				
96-5-31	NAS1149F0332P	Washer	X	2
32	B415-2	Relay (Incl items 13, 14, 26, 27, and 33)	X	1
33	01009214	Suppression Diode Assembly	X	1
34	MS27039C0806	Screw	X	1
35	MS35489-13	Grommet	X	1
36	NAS1149FN816P	Washer	X	1
37	MS21042L08	Nut	X	1
38	MS21919WDG6	Clamp	X	1
39	F859-2819*	Wire (white, Ref)		
	F859-2819*	Wire (blue, Ref)		
40	F859-2882	Wire (Ref)		

NOTES * For use when lithium-ion battery is installed.

Intentionally Blank

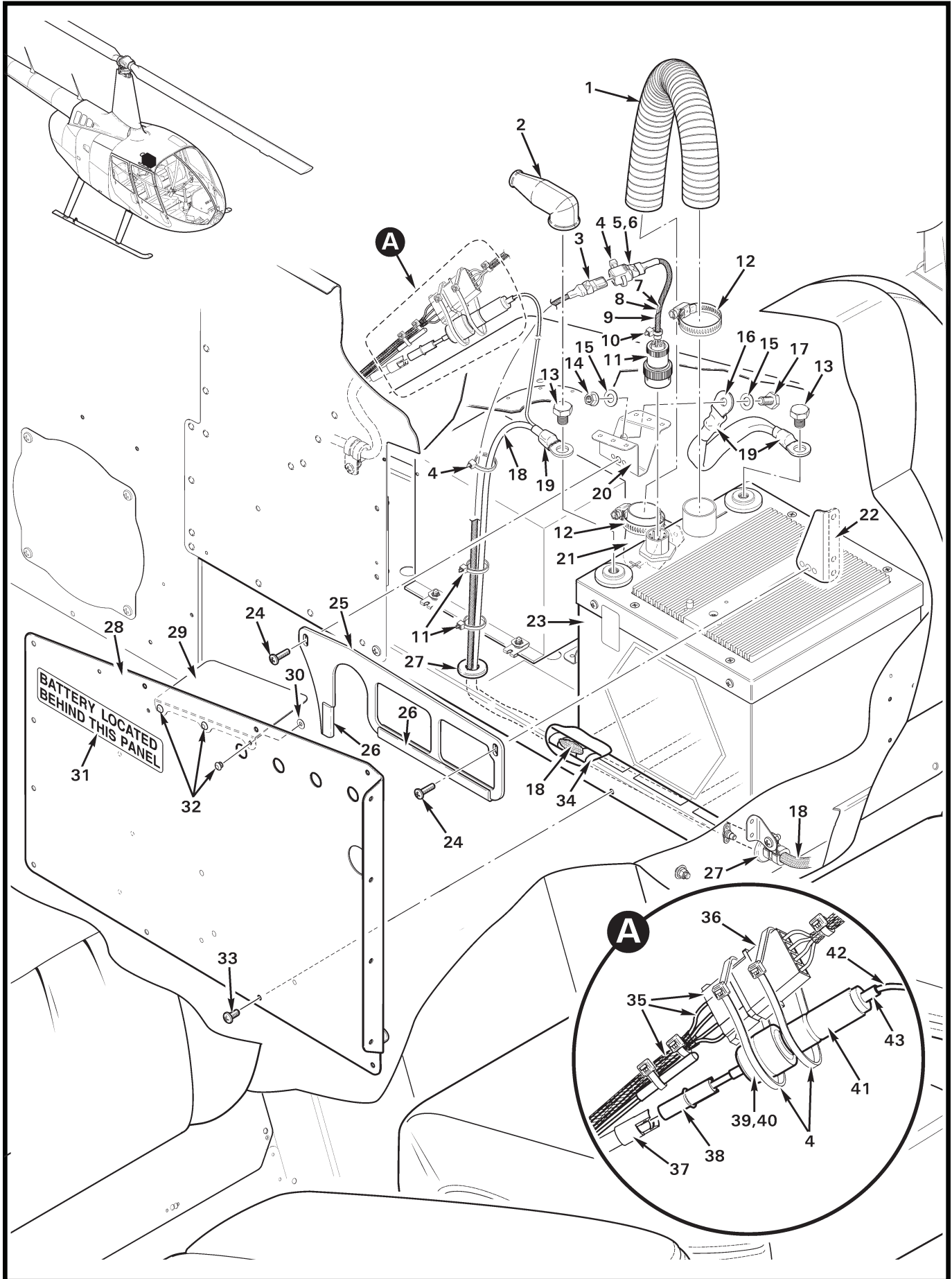


FIGURE AND INDEX NUMBER	PART NUMBER	DESCRIPTION	PARTS AVAIL	QTY PER ASSY
LITHIUM-ION BATTERY INSTALLATION				
96-9-1	A785-40	Hose	X	1
2	MS25171-2S	Nipple	X	1
3	D262-2	Receptacle (Ref)		
4	MS3367-4-9	Ty-Rap	X	A/R
5	F693-6	Harness Assembly (Incl items 6 thru 11)	X	1
6	D269-1	Plug (includes [3] M39029/58-360 pins).	X	1
7	-2819	Wire (Ref, white)		
8	-2819	Wire (Ref, blue)		
	-2882	Wire (Ref, white)		
9	B266-4	Sleeving	X	A/R
10	MS3367-4-0	Ty-Rap	X	1
11	9018048*	Plug	O	1
12	B277-12	Clamp	X	2
13	—	Bolt (8mm)	O	2
14	D210-4	Nut	X	1
15	NAS1149F0432P	Washer	X	2
16	A780-2	Cable Assembly (Incl item 19)	X	1
17	AN4-3A	Bolt	X	1
18	A780-76	Cable Assembly (Incl items 19 and 38 thru 43)	X	1
19	B158-8	Heat Shrink	X	A/R
20	G130-5	Channel (Ref)		
21	A372-11	Weldment (Ref)		
22	G130-4	Angle (Ref)		
23	D237-2	Battery (24 volt, lithium-ion; includes item 13)	X	1
24	MS27039C0806	Screw	X	2
25	G131-9	Plate	X	1
26	A226-11	Trim	X	A/R
27	MS35489-13	Grommet	X	2
28	G248-8	Cover Assembly (Incl items 29 thru 32)	X	1
29	G248-7	Guard	X	1
30	NAS1149FN416P	Washer	X	3
31	F654-24	Decal	X	1
32	SR-3055B	Rivet	X	3
33	B526-6	Screw	X	14
34	B161-8	Spirap	X	A/R

NOTES * Mid Continent part no.

Continues

FIGURE AND INDEX NUMBER	PART NUMBER	DESCRIPTION	PARTS AVAIL	QTY PER ASSY
LITHIUM-ION BATTERY INSTALLATION (Cont'd)				
96-9-35	F049-016	Harness Assembly (Ref, includes item 37)		
	F049-010	Harness Assembly (earlier ships)		
36	B263-16	Housing (Ref, low fuel switch)		
37	B263-10	Housing (Ref)		
38	B263-11	Housing	X	1
	B236-4	Socket	X	1
39	D262-10	Fuse Holder	X	1
40	AGC-15-R	Fuse	X	1
41	B158-408	Heat Shrink (labeled "CH GR" and "15 AMP")	X	A/R
42	-2324	Wire (Ref)		
43	B158-3	Heat Shrink	X	A/R

NOTES

Intentionally Blank

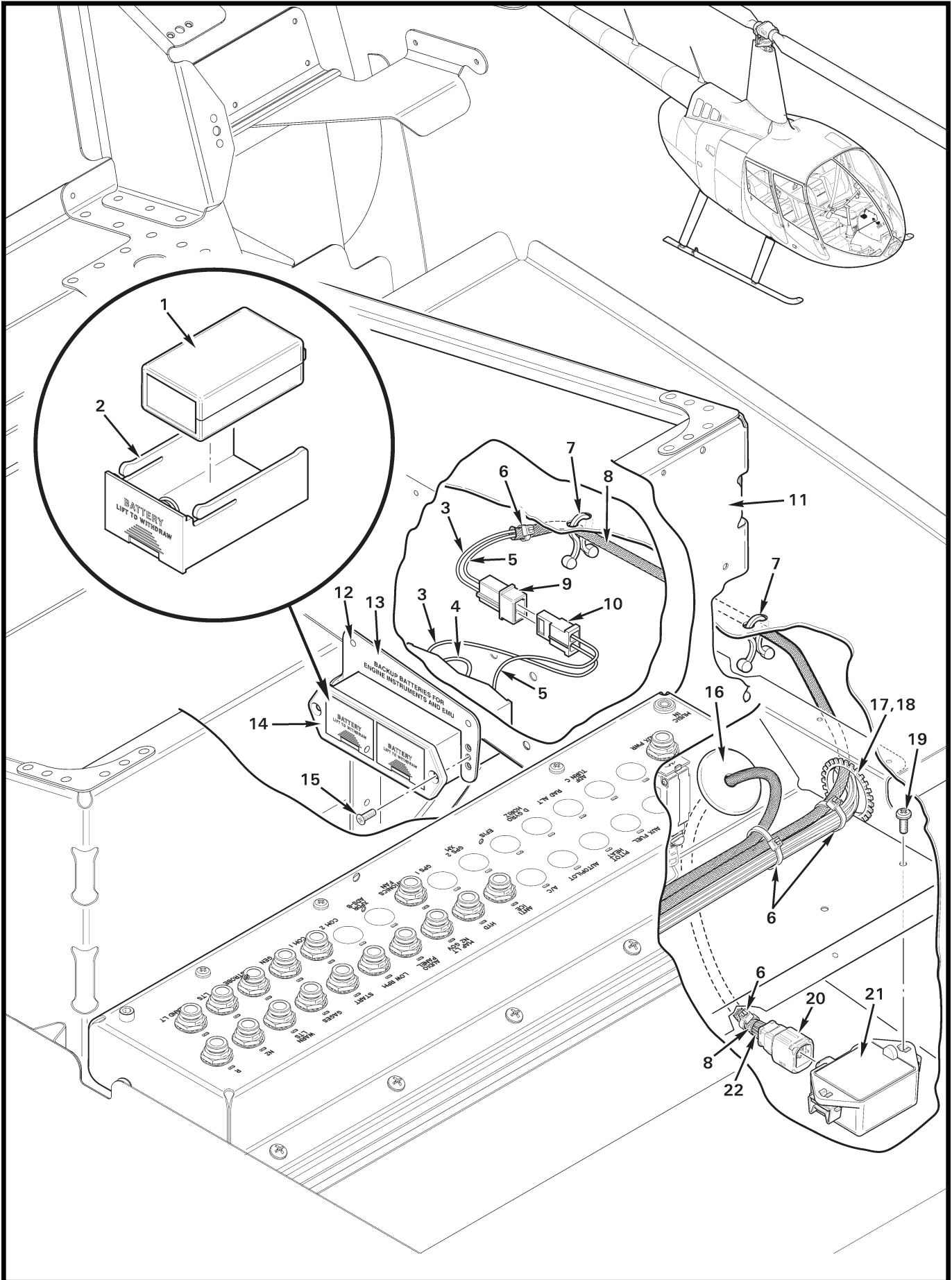


FIGURE AND INDEX NUMBER	PART NUMBER	DESCRIPTION	PARTS AVAIL	QTY PER ASSY
		LITHIUM-ION BATTERY CIRCUIT BACK-UP BATTERIES		
96-11-1	—	Battery* (9-volt, Alkaline)	O	2
2	—	Tray (9-volt battery)	O	2
3	-2830	Wire (Ref)		
4	—	Wire (Ref; jumper)		
5	-2831	Wire (Ref)		
6	MS3367-4-9	Ty-Rap	X	A/R
7	TL-350	Tie	X	2
8	B266-4	Sleeving	X	A/R
9	B263-32	Housing	X	1
	B263-1	Pin	X	2
10	B263-33	Housing	X	1
	B263-2	Pin	X	2
11	F297-1	Support Assembly – Seat (Ref, LH)		
12	MS20470AD4	Rivet	X	3
13	G468-1	Mount Assembly	X	1
14	F693-5	Case Assembly – Battery (Incl items 1 thru 5, and 10)	X	1
15	MS24693-S4	Screw	X	2
16	MS35489-8	Grommet	X	1
17	MS21266-1N	Grommet (install using item 18; or A225-2 without adhesive)	X	A/R
18	B270-8qt	Adhesive	X	A/R
19	MS35206-228	Screw	X	2
20	D269-11	Plug	X	1
21	F693-1	Module Assembly (senses need for and switches to backup battery)	X	1
22	F859-111	Wire (Ref)		
	F859-129	Wire (Ref)		
	F859-2001	Wire (Ref)		
	-2828	Wire (Ref)		
	-2829	Wire (Ref)		
	-2830	Wire (Ref)		
	-2832	Wire (Ref)		
	-2833	Wire (Ref)		
	-2834	Wire (Ref)		

NOTES * Sourced locally, any manufacturer.

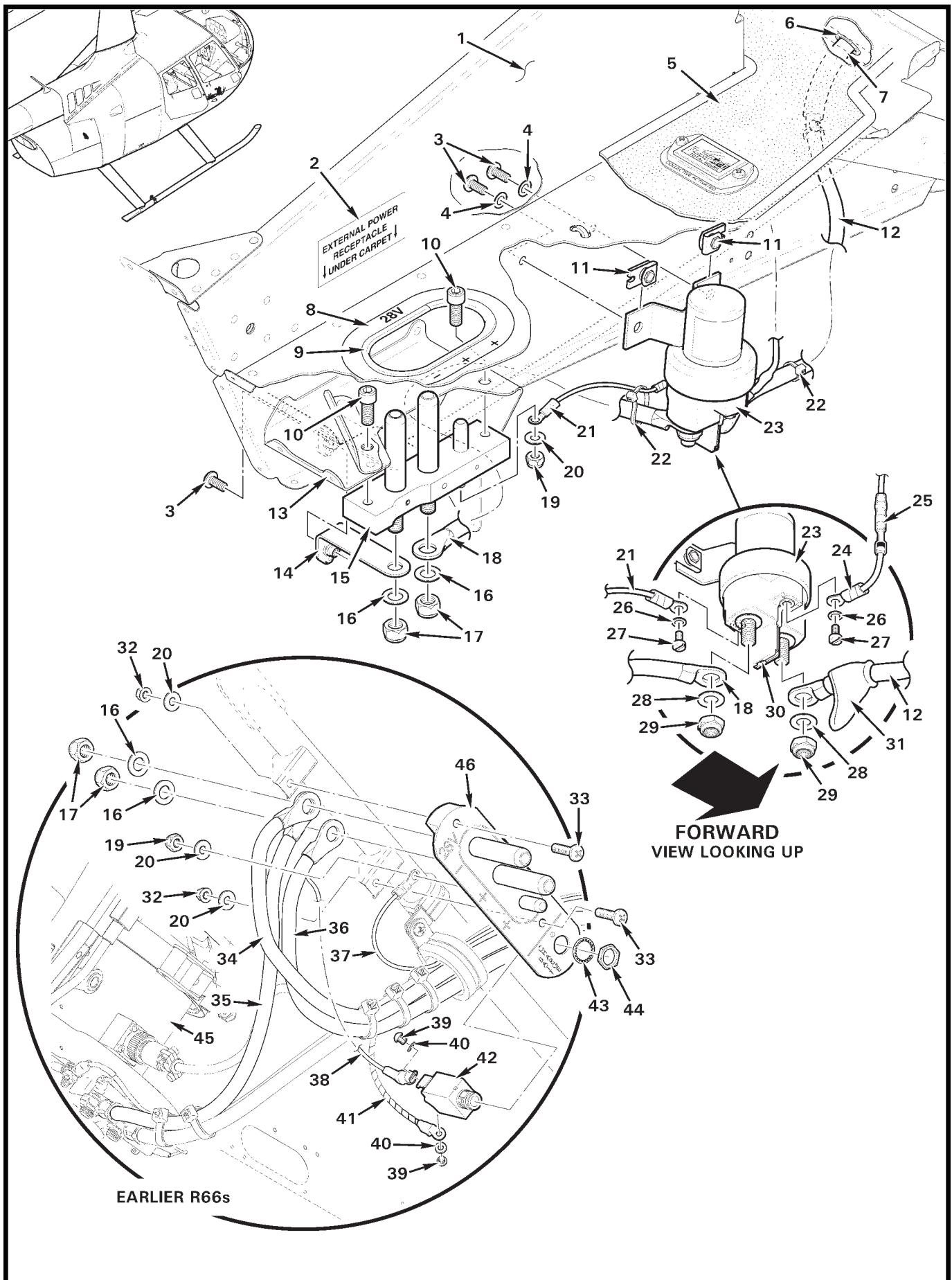


FIGURE AND INDEX NUMBER	PART NUMBER	DESCRIPTION	PARTS AVAIL	QTY PER ASSY
		EXTERNAL POWER PLUG INSTALLATION		
96-13-1	F290-1	Seat Support Assembly – RH FWD (Ref)		
2	G682-2	Decal	X	1
3	MS27039C1-06	Screw	X	3
4	NAS1149F0316P	Washer	X	2
5	F469-24	Carpet Assembly (Ref, see figure 25-15)		
6	NAS557-10A	Grommet	X	1
7	B158-8	Heat Shrink	X	A/R
8	G682-1	Decal	X	1
9	A226-15	Trim	X	A/R
10	NAS1352-4-10	Screw	X	2
11	B162-4	Clipnut	X	2
12	A780-70	Cable Assembly	X	1
13	G599-1	Support – Plug Assembly (Ref)		
14	A448-20	Bus Bar	X	1
15	G597-6	Receptacle Assembly – External Power (Incl items 16, 17, 19, and 20)	X	1
16	NAS1149F0532P	Washer	X	2
17	MS21044N5	Nut	X	2
18	A780-69	Cable Assembly	X	1
19	MS21044N3	Nut	X	1
20	NAS1149F0332P	Washer	X	2
21	F049-011	Harness Assembly	X	1
22	MS3367-5-0	Ty-Rap	X	A/R
23	B415-2	Relay Assembly (Incl items 26 thru 30)	X	1
24	F859-1964	Wire (Ref)		
25	B261-2	Splice (Ref)		
26	01004635	Washer	X	2
27	01003621	Screw	X	2
28	01000424	Washer	X	2
29	MS21044B5	Nut	X	2
30	01009214	Suppression Diode Assembly	X	1
31	MS25171-2S	Nipple	X	1
32	MS21042L3	Nut	X	2
33	MS27039C1-14	Screw	X	2
34	A780-53	Cable Assembly (wire no. 1991, Ref)		

NOTES

Continues

FIGURE AND INDEX NUMBER	PART NUMBER	DESCRIPTION	PARTS AVAIL	QTY PER ASSY
EXTERNAL POWER PLUG INSTALLATION (Cont'd)				
96-13-35	A780-51	Cable Assembly (wire no. 1969, Ref)		
36	A780-52	Cable Assembly (Ref; wire -1970, includes item 12)		
37	—	Wire Assembly (Ref; wire -2055)		
38	—	Wire (Ref; wire -2232)		
39	—	Screw	O	2
40	—	Lockwasher	O	2
41	—	Wire (Ref; wire -2232, to rectifier)		
42	B297-10	Circuit Breaker (10 amp, includes items 39, 40, 43 and 44) . . .	X	1
43	—	Washer	O	1
44	—	Nut	O	1
45	—	Starter/Generator (Ref)		
46	G597-1*	Plug Assembly – External Power (Incl items 16, 17, 19, and 20)	O	1

NOTES * Earlier R66s.

Intentionally Blank

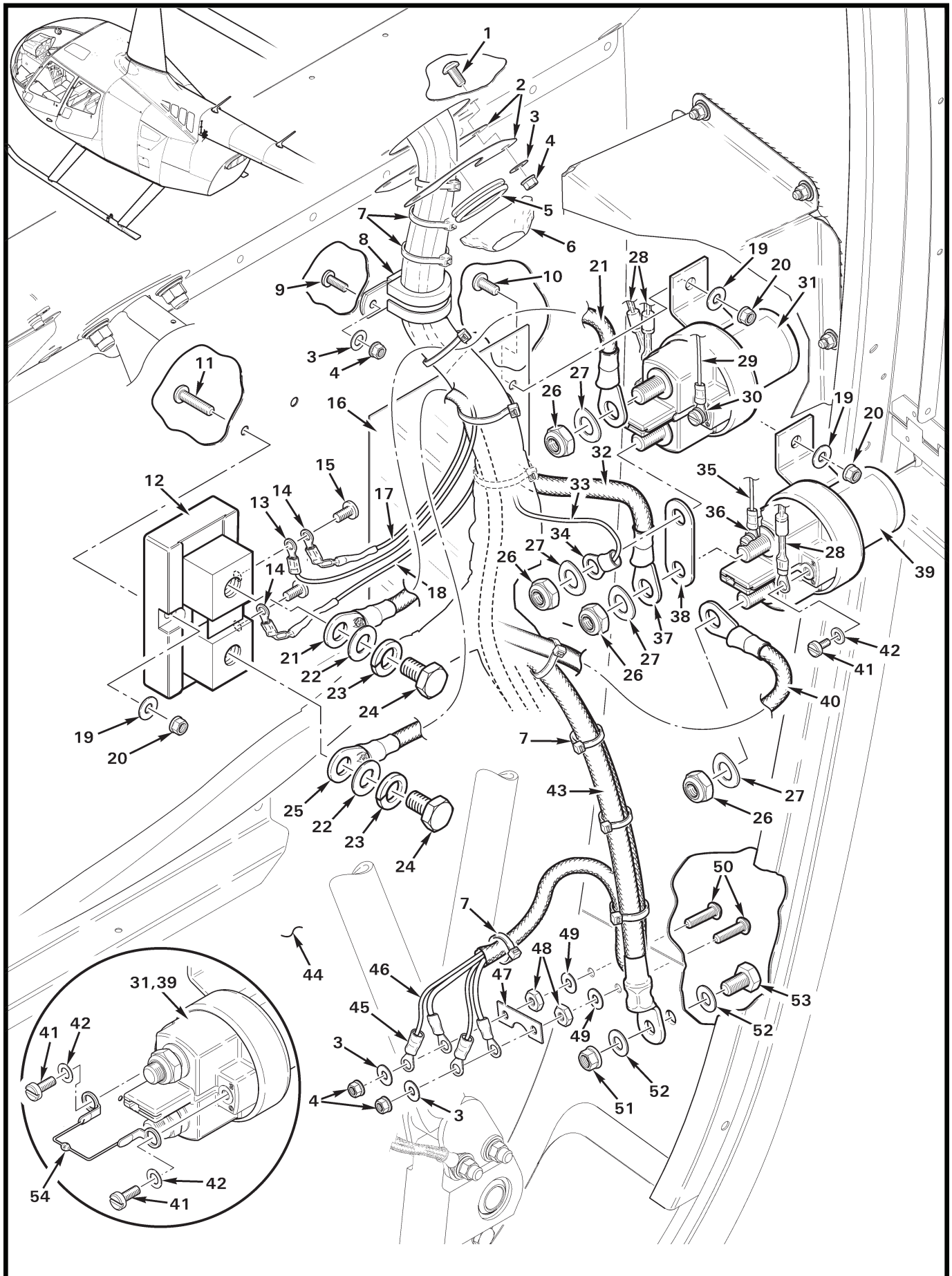


FIGURE AND INDEX NUMBER	PART NUMBER	DESCRIPTION	PARTS AVAIL	QTY PER ASSY
		STARTER-GENERATOR AND EXTERNAL POWER RELAY INSTALLATION		
96-17-1	MS27039C0805	Screw	X	2
2	A453-7	Plate	X	2
3	NAS1149FN816P	Washer	X	5
4	MS21042L08	Nut	X	5
5	NAS557-14A	Grommet	X	1
6	B270-5	Sealant	X	A/R
7	MS3367-4-9	Ty-Rap	X	A/R
8	MS21919WCH__	Clamp (select clamp size as required to prevent slack around harness)	X	1
9	MS27039C0806	Screw	X	1
10	MS27039C1-07	Screw	X	2
11	MS27039C1-10	Screw	X	3
12	MLB-300-50	Shunt (Incl items 15, 23, and 24)	X	1
13	B260-3	Terminal (wire no. 1981)	X	1
14	B260-3	Terminal	X	2
	B261-2	Splice	X	2
	473003	Fuse	X	2
	B158-103	Heat Shrink	X	A/R
15	—	Screw	O	2
16	C452-4	Guard	X	1
17	F059-2313	Wire (Ref)		
18	F059-2312	Wire (Ref)		
19	NAS620-10L	Washer	X	5
20	MS21042L3	Nut	X	5
21	A780-56	Cable Assembly	X	1
22	NAS1149F0663P	Washer	X	2
23	—	Washer (split)	O	2
24	—	Bolt	O	2
25	A780-50	Cable Assembly (wire no. 1982)	X	1
26	MS21044B5	Nut	O	2
27	01000424	Washer	X	2
28	B260-2	Terminal	X	3
	B261-2	Splice	X	3
	D275-102	Diode	X	3
	B158-103	Heat Shrink	X	A/R

NOTES

Continues

FIGURE AND INDEX NUMBER	PART NUMBER	DESCRIPTION	PARTS AVAIL	QTY PER ASSY
		STARTER-GENERATOR AND EXTERNAL POWER RELAY INSTALLATION (Cont'd)		
96-17-29	F059-1976	Wire (ground; Ref)		
30	B260-2	Terminal	X	3
31	B415-2	Relay – Starter/Generator (Incl items 26, 27, 41, 42, and 54)	X	1
32	F059-1386	Wire (Ref)		
33	F049-1979	Wire (Ref; included with F049-03 harness assembly)		
34	B260-6	Terminal	X	2
35	F059-2055	Wire (Ref)		
36	B260-4	Terminal	X	1
37	B260-23	Terminal	X	1
	B158-8	Heat Shrink	X	A/R
38	A448-17	Bus Bar	X	1
39	B415-2	Relay – External Power (Incl items 26, 27, 41, 42, and 54)	X	1
40	A780-52	Cable Assembly (wire no. 1970)	X	1
	B260-20	Terminal	X	2
	B158-408	Heat Shrink	X	A/R
	B260-2	Terminal (not shown; for wire no. 2232)	X	1
41	01003621	Screw	X	2
42	01004635	Washer	X	2
43	A780-53	Cable Assembly (wire no. 1991)	X	1
	B260-20	Terminal	X	1
	B260-22	Terminal (at plug assembly; not shown)	X	1
	B158-408	Heat Shrink	X	A/R
44	F233-1	Firewall – Vertical (Ref)		
45	B260-3	Terminal	X	4
46	F059-1944	Wire (ground, Ref)		
	F059-1976	Wire (ground, Ref)		
	F059-2292	Wire (ground, Ref)		
	F059-2306	Wire (ground, Ref)		
47	A448-3	Bus Bar	X	1
48	B301-8	Nut	X	2
49	NAS1149DN832H	Washer	X	2
50	B567-43	Screw	X	2
51	MS21042L4	Nut	X	1
52	NAS1149F0432P	Washer	X	2
53	AN4-4A	Bolt	X	1

NOTES

Continues

FIGURE AND INDEX NUMBER	PART NUMBER	DESCRIPTION	PARTS AVAIL	QTY PER ASSY
96-17-54	01009214	<p style="text-align: center;">STARTER-GENERATOR AND EXTERNAL POWER RELAY INSTALLATION (Cont'd)</p> <p>Suppression Diode Assembly</p>	X	1
NOTES				

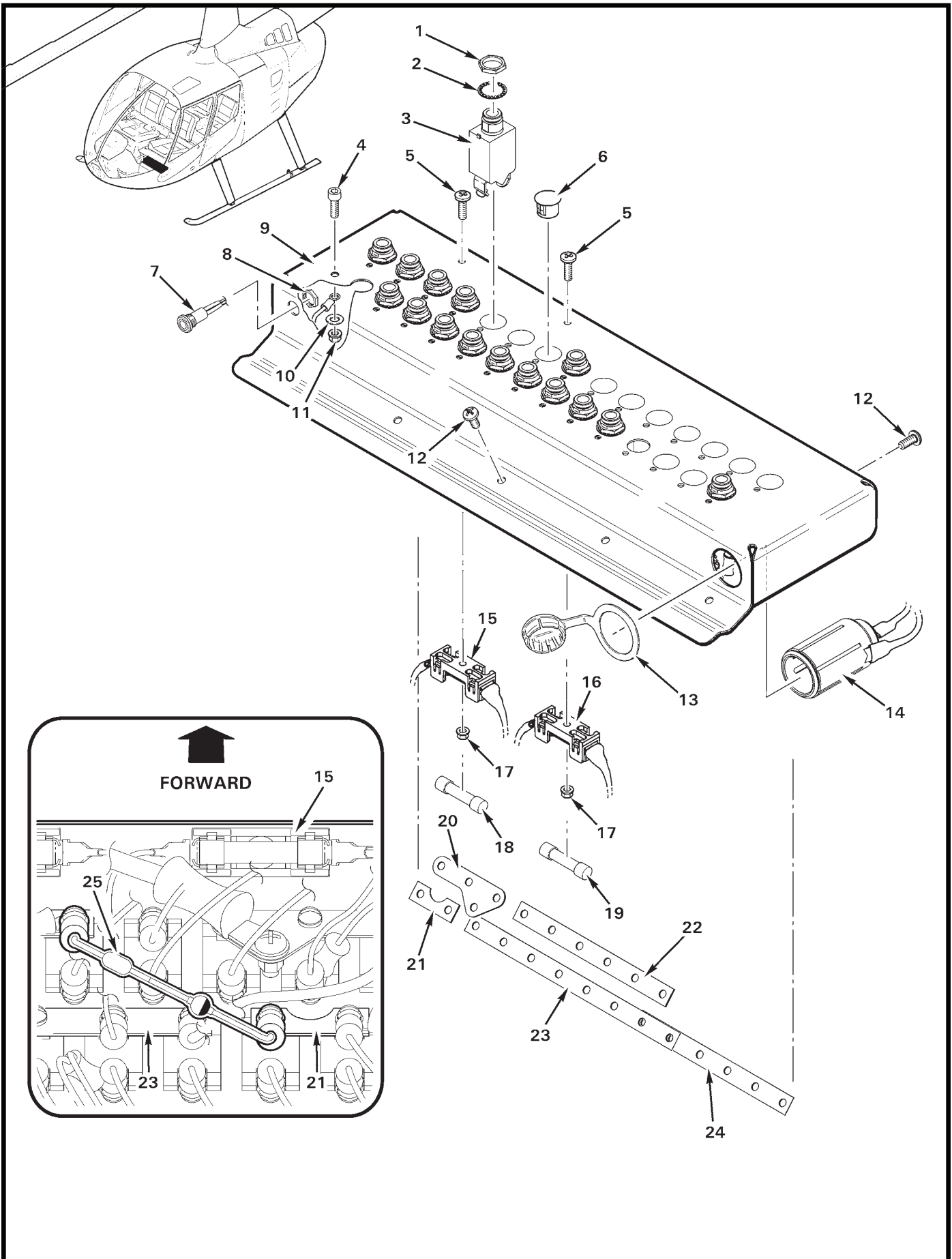


FIGURE AND INDEX NUMBER	PART NUMBER	DESCRIPTION	PARTS AVAIL	QTY PER ASSY
CIRCUIT BREAKER PANEL				
96-21-1	—	Nut	O	1
2	—	Washer	O	1
3	B297-10	Circuit Breaker (10 amp)	X	2
	B297-7	Circuit Breaker (7.5 amp)	X	1
	B297-5	Circuit Breaker (5 amp)	X	2
	B297-2	Circuit Breaker (2 amp)	X	12
4	NAS1352-08-10P	Screw	X	A/R
5	MS35206-227	Screw	X	2
6	2633	Hole Plug	X	A/R
7	C049-14	Harness Assembly (aux audio IN)	X	1
8	—	Nut (included with item 7)	O	1
9	F490-1	Panel Assembly (28-hole)	X	1
	F490-3	Panel Assembly (32-hole, not shown)	X	1
10	NAS1149DN832H	Washer	X	1
11	MS21042L08	Nut	X	1
12	MS27039C0806	Screw	X	10
13	D692-3	Cover	X	1
14	D692-4	Socket (28-volt)	X	1
15	D262-1	Fuseblock (hourmeters)	X	1
16	D262-1	Fuseblock (EMU)	X	1
17	MS21042L06	Nut	X	2
18	AGC-1	Fuse (1 amp, hourmeters)	X	1
19	AGC-3	Fuse (3 amp, EMU)	X	1
20	A448-16	Bus Bar (3 breakers)	X	1
21	A448-3	Bus Bar (2 breakers)	X	1
22	A448-1	Bus Bar (6 breakers; [two] max in place of -4, -9, -10, or -14)	X	A/R
	A448-4	Bus Bar (3 breakers)	X	A/R
	A448-9	Bus Bar (9 breakers)	X	A/R
	A448-10	Bus Bar (4 breakers)	X	A/R
	A448-14	Bus Bar (8 breakers)	X	A/R
23	A448-14	Bus Bar (8 breakers)	X	1
24	A448-1	Bus Bar (6 breakers)	X	1
25	A045-2	Diode Assembly	X	1

NOTES

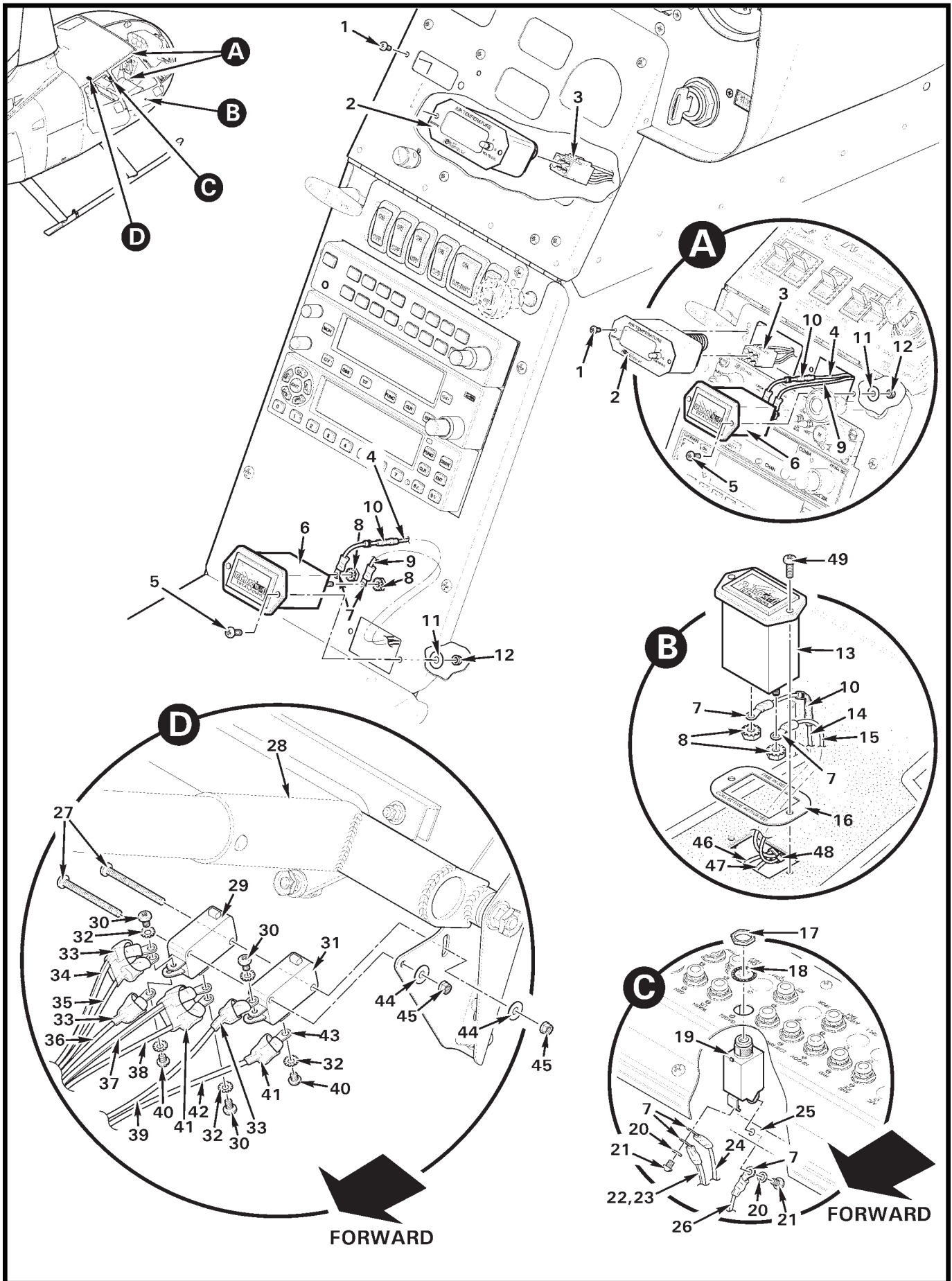


FIGURE AND INDEX NUMBER	PART NUMBER	DESCRIPTION	PARTS AVAIL	QTY PER ASSY
		HOURMETER AND COLLECTIVE-ACTIVATED SWITCHES INSTALLATION		
96-23-1	—	Screw (4-40)	O	2
2	B341-1	Gage – Outside Air Temp (Incl item 1)	X	1
3	B341-4	Probe Assembly	X	1
4	-2053	Wire (Ref)		
5	MS35206-228	Screw	X	4
6	D830-2	Hourmeter – Engine (Incl item 8)	X	1
7	B260-2	Terminal	X	7
8	—	Lock Nut	O	4
9	-2052	Wire (Ref)		
10	D275-101	Diode (1N4005)	X	2
11	NAS620-6L	Washer	X	2
12	MS21042L06	Nut	X	2
13	D830-2	Hourmeter – Collective Activated (Incl item 8)	X	1
14	-1604	Wire (Ref)		
15	-1605	Wire (Ref)		
16	B417-2	Faceplate	X	1
17	—	Nut	O	1
18	—	Lockwasher	O	1
19	B297-2	Circuit Breaker (2 amp, includes items 17 and 18)	X	1
20	—	Washer	O	2
21	—	Screw	O	2
22	-129	Wire (Ref)		
23	-1958	Wire (Ref)		
24	-4	Wire (Ref)		
25	A448-14	Bus Bar (8-hole, Ref)		
26	-661	Wire (Ref)		
27	MS35206-324	Screw	X	2
28	C758-2	Stick Assembly (Ref, see Figure 67-21)		
29	V3-1	Switch – Micro (hourmeter; includes items 30, 32 and 40) . .	X	1
30	MS35206-212	Screw (replaces screw supplied with switch)	X	3
31	V3-1	Switch – Micro (low RPM warning; incl items 30, 32 and 40)	X	1
32	—	Lockwasher	O	5
33	B158-6	Heat Shrink (earlier ships)	X	A/R

NOTES

Continues

FIGURE AND INDEX NUMBER	PART NUMBER	DESCRIPTION	PARTS AVAIL	QTY PER ASSY
HOURMETER AND COLLECTIVE-ACTIVATED SWITCHES INSTALLATION (Cont'd)				
96-23-34	-1556	Wire (Ref)		
	-1604	Wire (Ref)		
35	-2325	Wire (Ref)		
	-2600	Wire (Ref)		
36	-2344	Wire (Ref)		
	-2599	Wire (Ref)		
37	-1898	Wire (Ref)		
	-2031	Wire (Ref)		
38	-2052	Wire (Ref)		
39	-78	Wire (Ref)		
40	—	Screw	O	2
41	B158-4	Heat Shrink (earlier ships)	X	A/R
42	-2301	Wire (Ref)		
43	B260-1	Terminal	X	7
44	NAS1149FN416P	Washer	X	2
45	MS21042L04	Nut	X	2
46	-108	Wire (Ref)		
47	-1964	Wire (Ref)		
48	MS3367-4-9	Ty-rap	X	A/R
49	MS35206-232	Screw	X	2

NOTES

Intentionally Blank

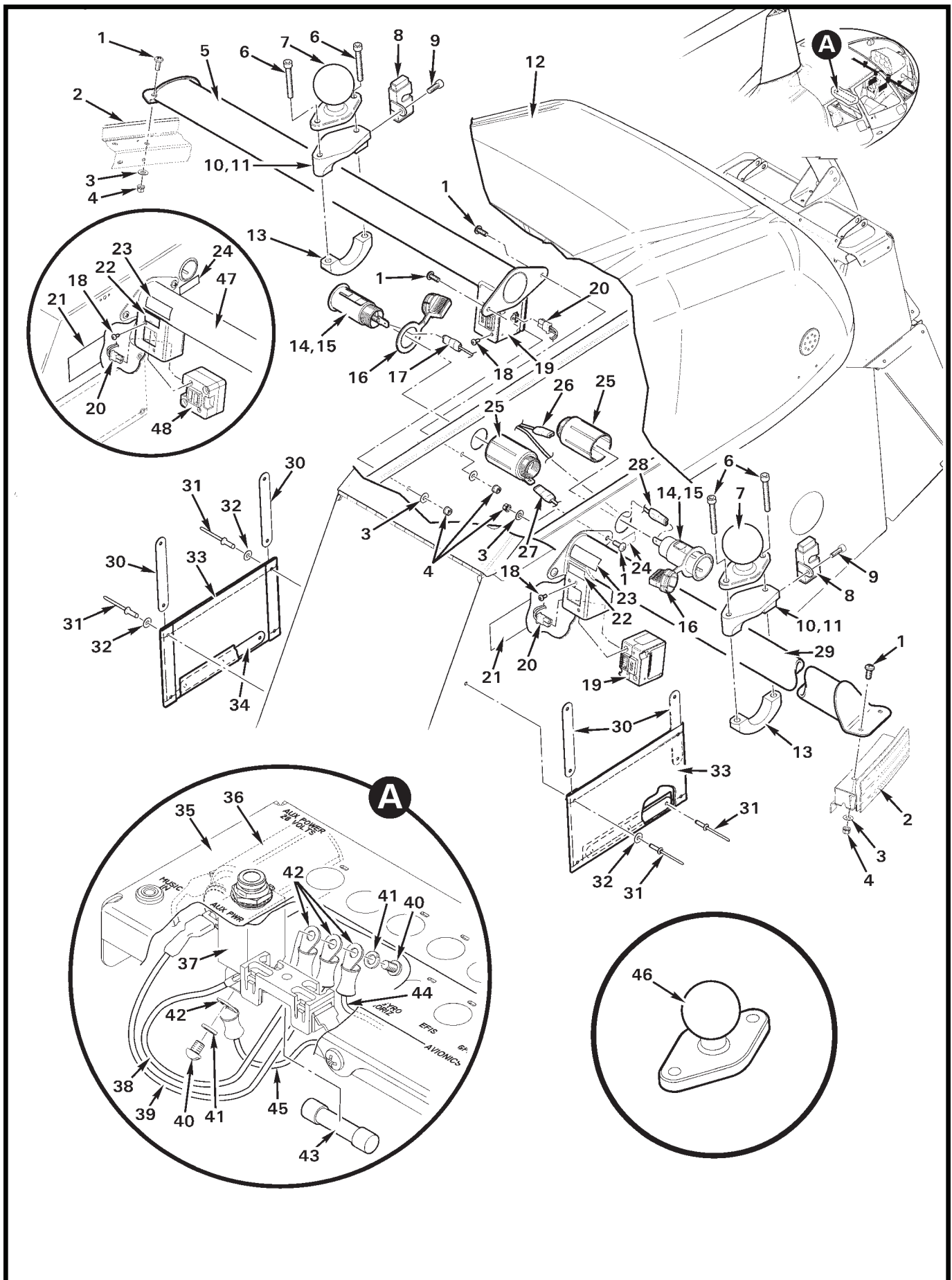


FIGURE AND INDEX NUMBER	PART NUMBER	DESCRIPTION	PARTS AVAIL	QTY PER ASSY
ACCESSORY BARS INSTALLATION				
96-27-1	MS27039C0806	Screw	X	8
2	F015	Cabin Assembly (Ref)		
3	NAS1149FN816P	Washer	X	8
4	MS21042L08	Nut	X	8
5	G703-15	Support Assembly (LH)	O	1
6	NAS1351-3-24	Screw	X	4
7	RAM-238U	Mount (1.5-inch diameter ball)	X	A/R
8	B631-1	Clamp Assembly	X	1
9	NAS1352-08-8	Screw	X	1
10	B630-1	Clamp Assembly (Incl items 11 and 13)	X	A/R
11	B630-3	Clamp	X	1
12	G050	Console Assembly (Ref)		
13	B630-2	Clamp Assembly	X	1
14	D692-4	Socket (Incl items 15 and 25)	X	2
15	205471	Switch Base (Ref)		
16	D692-3	Cover	X	1
17	B262-5	Receptacle	X	1
	F859-2690	Wire (power, Ref)		
	F859-2692	Wire (power, Ref)		
	B158-4	Heat Shrink	X	A/R
18	MS35206-213	Screw	X	4
19	6430202-2	USB Port (dual, type A and C)	O	2
20	1445022-2	Housing	O	2
	1-794610-1	Socket	O	2
	-2578	Wire (power, pin "A"; Ref)		
	-2579	Wire (ground, pin "B"; Ref)		
21	G682-15	Decal – "CAUTION ENSURE ACCESSORIES..."	X	1
22	F654-49	Decal – "AUX PWR 5V"	X	1
23	G682-14	Decal – "MAXIMUM LOAD: 10 LB (4.5 KG)"	X	1
24	G682-16	Decal – "28 VOLTS 2 AMPS MAX"	X	1
25	210664	Clamp Shell (Ref)		
26	B262-4	Receptacle	X	1
	-2693	Wire (ground; Ref)		

NOTES

Continues

FIGURE AND INDEX NUMBER	PART NUMBER	DESCRIPTION	PARTS AVAIL	QTY PER ASSY
ACCESSORY BARS INSTALLATION (Cont'd)				
96-27-27	B262-5	Receptacle	X	1
	-2691	Wire (ground, Ref)		
	-2693	Wire (ground, Ref)		
	B158-4	Heat Shrink	X	A/R
28	B262-4	Receptacle	X	1
	-2692	Wire (power, Ref)		
29	G703-16	Support Assembly (RH)	O	1
30	A913-6	Strip	X	2
31	B204-2	Rivet	X	7
32	NAS1149FN632P	Washer	X	4
33	A912-7	Pocket Assembly	X	1
34	A913-1	Strip	X	2
35	F490-3	Panel Assembly – Circuit Breaker (Ref)		
36	D692-4	Socket (Ref)		
37	B297-10	Circuit Breaker (10 amp, "AUX PWR"; includes items 40 and 41)	X	1
38	F859-626	Wire (to fuse, Ref)		
39	-626	Wire (to item 36, Ref)		
40	—	Screw	O	1
41	—	Washer	O	1
42	B260-2	Terminal	X	3
43	AGC-5-R	Fuse (5 amp)	X	1
44	F859-2690	Wire (Ref; to item 14, RH)		
45	F859-2570	Wire (Ref; to "AVIONICS FAN" circuit breaker)		
46	RAM-B-238U	Mount Assembly (1-inch diameter ball)	X	A/R
47	G705-6	Support Assembly (Ref; RH, earlier ships)		
	G705-9	Support Assembly (Ref; LH, earlier ships)		
48	6430102-2	USB Port (installed with item 47 only)	X	2

NOTES

Intentionally Blank

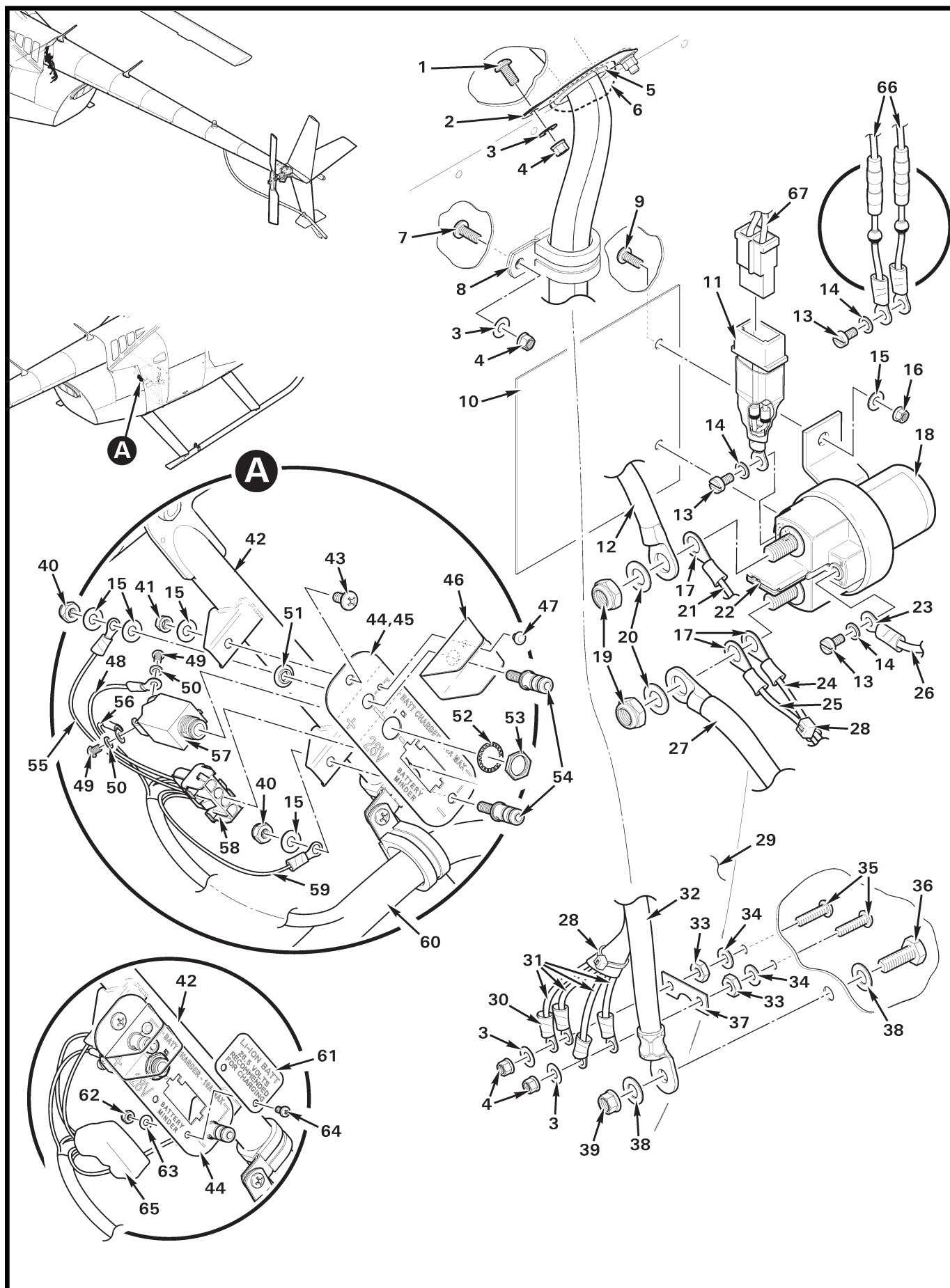


FIGURE 96-31 STARTER GENERATOR RELAY AND BATTERY MINDER INSTALLATION

FIGURE AND INDEX NUMBER	PART NUMBER	DESCRIPTION	PARTS AVAIL	QTY PER ASSY
STARTER GENERATOR RELAY AND BATTERY MINDER INSTALLATION				
96-31-1	MS27039C0805	Screw	X	2
2	A453-7	Plate	X	2
3	NAS1149FN816P	Washer	X	5
4	MS21042L08	Nut	X	5
5	NAS557-14A	Grommet	X	1
6	B270-5	Sealant	X	A/R
7	MS27039C0806	Screw	X	1
8	MS21919WCH__	Clamp (select clamp size as required to prevent slack around harness)	X	1
9	MS27039C1-07	Screw	X	2
10	C452-5	Guard	X	1
11	B304-17	Diode Assembly	X	1
12	F859-1386	Wire (Ref)		
13	01003621	Screw	X	2
14	01004635	Washer	X	2
15	NAS1149F0332P	Washer	X	6
16	MS21042L3	Nut	X	2
17	B260-6	Terminal	X	2
18	B415-2	Relay (starter/generator; includes items 26, 27, 41, 42, and 54)	X	1
19	MS21044B5	Nut	O	2
20	01000424	Washer	X	2
21	F049-1979	Wire (Ref)		
22	01009214	Suppression Diode Assembly	X	1
23	B260-2	Terminal	X	3
24	F049-1981	Wire (Ref)		
25	F859-2313	Wire (Ref)		
26	F859-1976	Wire (Ref; ground)		
27	A780-71	Cable Assembly		
28	MS3367-4-9	Ty-Rap	X	A/R
29	F233-1	Firewall – Vertical (Ref)		
30	B260-3	Terminal	X	4
31	F859-1944	Wire (ground, Ref)		
	F859-1976	Wire (ground, Ref)		
	F859-2292	Wire (ground, Ref)		
	F859-2574	Wire (ground, Ref)		

NOTES

Continues

FIGURE AND INDEX NUMBER	PART NUMBER	DESCRIPTION	PARTS AVAIL	QTY PER ASSY
STARTER GENERATOR RELAY AND BATTERY MINDER INSTALLATION (Cont'd)				
96-31-32	A780-72	Cable Assembly		
33	B301-8	Nut	X	2
34	NAS1149DN832H	Washer	X	2
35	B567-43	Screw	X	2
36	AN4-4A	Bolt	X	1
37	A448-3	Bus Bar	X	1
38	NAS1149F0432P	Washer	X	2
39	MS21042L4	Nut	X	1
40	MS24044N3	Nut	X	2
41	D210-3	Nut	X	1
42	F046	Frame Weldment – RH (Ref)		
43	MS27039C1-07	Screw	X	1
44	G597-8	Post Assembly – Battery Minder (Incl items 15 [3], 40, 45 thru 47, 51, 54, 57, and 58)	X	1
45	G598-3	Faceplate	X	1
46	C452-7	Guard	O	1
47	SR-3035B	Rivet	X	1
48	F049-2572	Wire (Ref)		
49	—	Screw	O	2
50	—	Washer	O	2
51	C26005	Washer	X	1
52	—	Lockwasher	O	1
53	—	Nut	O	1
54	G597-7	Post	X	2
55	-2573	Wire (Ref)		
56	F049-2324	Wire (Ref)		
57	B297-10	Circuit Breaker (10 amp, includes items 49, 50, 52, and 53	X	1
58	B263-68	4-Contact Cap (Universal Mate-N-Lok)	X	1
	B263-51	Pin	X	1
	B263-55	Pin	X	3
59	F049-2575	Wire (Ref)		
60	F859	Wire Harness (Ref)		
61	G598-4	Cover (when Li-Ion battery is installed)	X	1
62	MS21042L04	Nut	X	2

NOTES

Continues

FIGURE AND INDEX NUMBER	PART NUMBER	DESCRIPTION	PARTS AVAIL	QTY PER ASSY
STARTER GENERATOR RELAY AND BATTERY MINDER INSTALLATION (Cont'd)				
96-31-63	NAS1149FN416P	Washer	X	2
64	MS35206-214	Screw	X	2
65	B158-16	Heat Shrink (when Li-Ion battery is installed)	X	A/R
66	B260-2	Terminal (earlier ships)	X	2
	B261-2	Splice (earlier ships)	X	2
	A15A	Diode (earlier ships)	X	2
	B158-103	Heat Shrink (earlier ships)	X	A/R
67	F859-1975	Wire (Ref)		
	F859-1980	Wire (Ref)		

NOTES

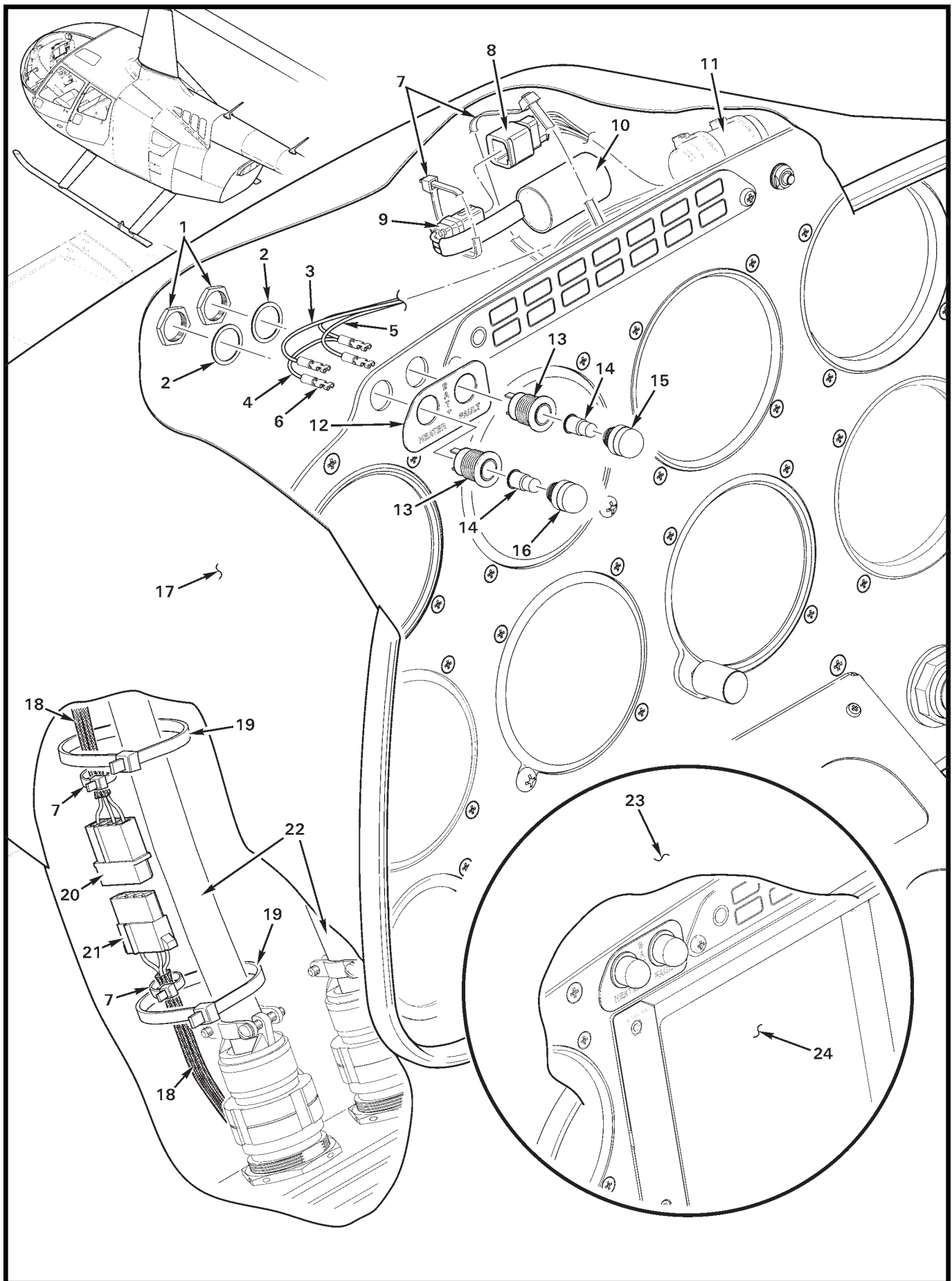


FIGURE AND INDEX NUMBER	PART NUMBER	DESCRIPTION	PARTS AVAIL	QTY PER ASSY
LITHIUM-ION BATTERY INDICATOR LIGHTS				
96-35-1	—	Nut	O	1
2	—	Lock Washer (internal tooth)	O	1
3	-2841	Wire (Ref, to F493-4 relay assembly)		
4	-2839	Wire (Ref, jumper)		
5	-2840	Wire (Ref, to F493-4 relay assembly)		
6	B262-1	Receptacle	X	4
7	MS3367-4-9	Ty-Rap	X	A/R
	MS3367-5-9	Ty-Rap	X	A/R
8	D269-11	Plug (9-socket)	X	1
9	D269-12	Receptacle (9-pin)	X	1
10	F693-4	Relay Assembly (Incl item 9; Rev. B or subsequent, indicator lights)	X	1
11	G655-2	Time Delay Assembly (Ref; fuel filter warning)		
12	G468-3	Plate	X	1
13	B198-1	Lamp (socket)	X	2
14	B196-21	Light (bulb)	X	2
15	—	Lens (amber)	O	1
16	162-0937	Lens (white)	X	1
17	G050	Console (Ref, eight-hole)		
18	B266-4	Sleeving	X	A/R
19	MS3367-5-0	Ty-Rap	X	A/R
20	B263-36*	Housing (console side)	X	1
	B263-1*	Pin	X	4
	-2836*	Wire (Ref)		
	-2819*	Wire (Ref, white)		
	-2819*	Wire (Ref, blue)		
21	B263-37*	Housing (cabin side)	X	1
	B263-2*	Socket	X	4
	-2836*	Wire (Ref)		
	-2819*	Wire (Ref, white)		
	-2819*	Wire (Ref, blue)		
22	G716	Harness – Electrical (Ref, G050 console)		
	G717	Harness – Electrical (Ref, G060 console)		
23	G060	Console Assembly (Ref)		
24	GDU 620	Display (Ref)		

NOTES * Earlier aircraft. See R66 MM Chapter 90 for schematics. Wires moved to Item 22 at rev. D.

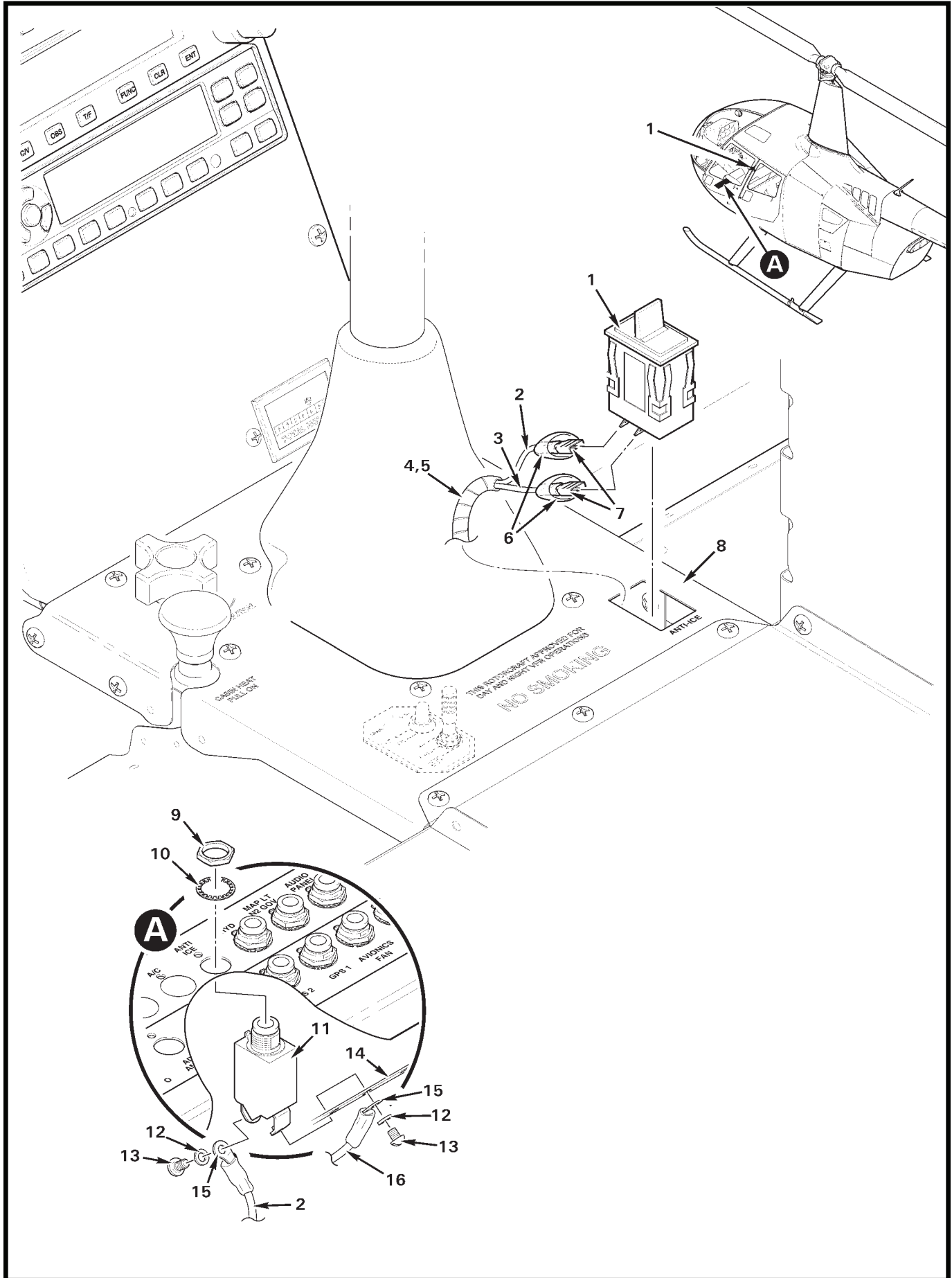


FIGURE AND INDEX NUMBER	PART NUMBER	DESCRIPTION	PARTS AVAIL	QTY PER ASSY
ANTI-ICE SWITCH INSTALLATION				
96-37-1	B184-13	Switch Assembly – Anti-ice	X	1
2	-1961	Wire (Ref; power)		
3	-2037	Wire (Ref; anti-ice valve)		
4	B161-2	Spirap (Ref)		
5	F859	Harness Assembly (Ref)		
6	B158-4	Heat Shrink	X	A/R
7	B262-2	Receptacle (Ref)		
8	F444-1	Cover – Cyclic (Ref)		
9	—	Nut	O	1
10	—	Lockwasher	O	1
11	B297-2	Circuit Breaker	X	1
12	—	Washer	O	2
13	—	Screw	O	2
14	A448-1	Bus Bar (Ref)		
15	B260-3	Terminal (Ref)		
16	-2001	Wire (Ref; power to EMU)		
NOTES				

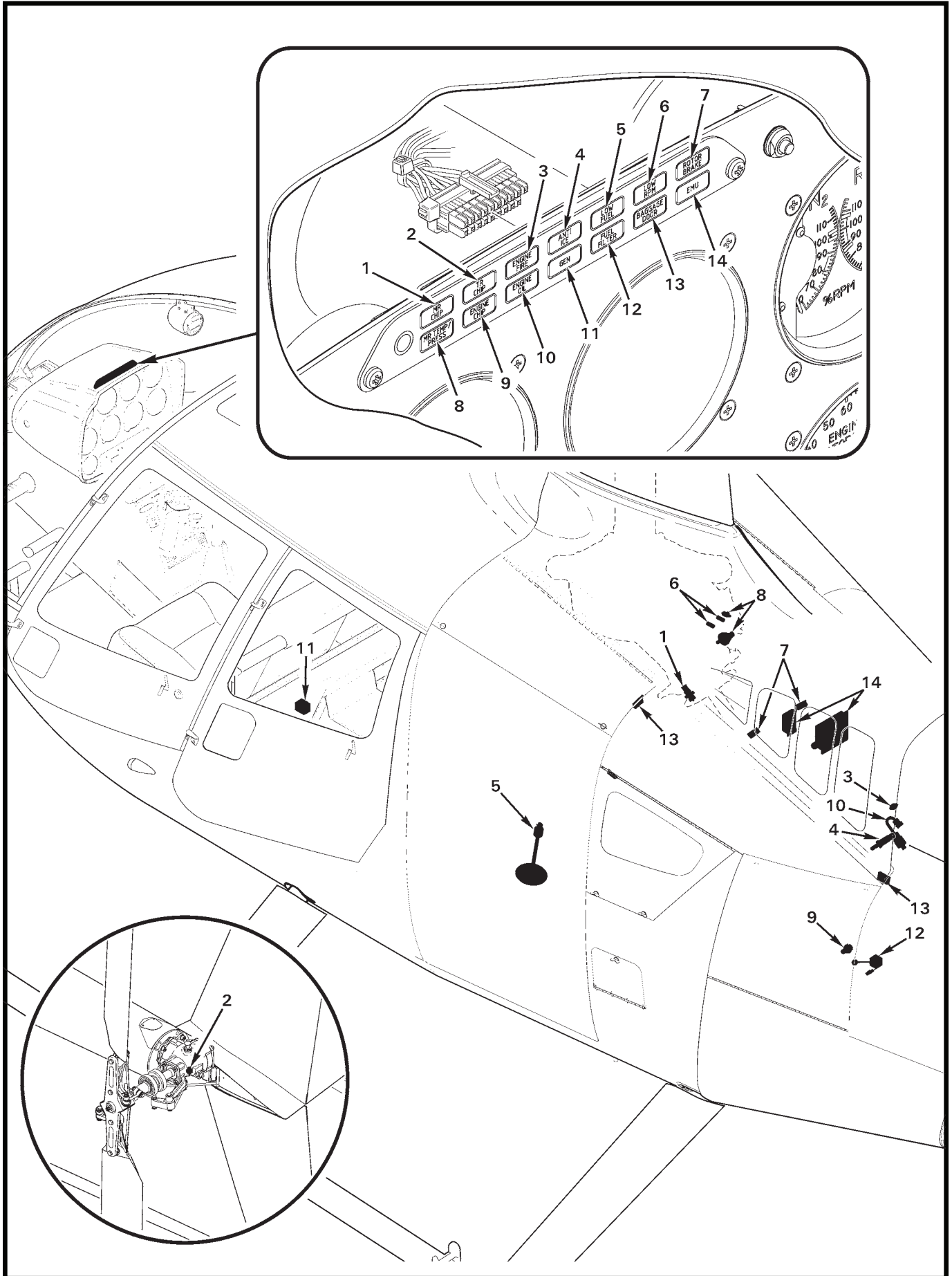


FIGURE AND INDEX NUMBER	PART NUMBER	DESCRIPTION	PARTS AVAIL	QTY PER ASSY
G198-1 ANNUNCIATOR AND RELATED SENSORS				
96-39-1	—	Main Rotor Chip Light (Ref, wire G716-3)		
	B566-1	Chip Detector (Ref, see Figure 63-3)		
2	—	Tail Rotor Chip Light (Ref, wire G716-5)		
	B566-2	Chip Detector (Ref, see Figure 65-9)		
3	—	Engine Fire Light (Ref, wire G716-637)		
	A688-2	Switch (Ref; see Figure 96-41)		
4	—	Engine Anti-Ice Light (Ref, wire G716-1945)		
	RR30000270*	Anti-ice Pressure Switch (Ref, see Figure 71-7)		
5	—	Low Fuel Light (Ref, wire G655-2049)		
	A521-2, -4	Low Fuel Switch Assembly (Ref, see Figure 28-7)		
	G655-1	Low Fuel Time Delay Assembly (Ref, see Figures 95-1, 95-23, and 95-31; not shown)		
6	—	Low RPM Light (Ref, wire G716-2035)		
	103SR13A-3	Hall Effect Sensor (Ref, see Figure 63-3)		
	A569-11	Low RPM Warning Unit (Ref, see Figure 95-13, 95-33 or 95-39)		
7	—	Air Filter Light (Ref, wire G716-2272; for)		
	F049-08	Air Filter Harness Assembly (Ref, see Figure 71-9 or 71-11)		
8	—	Main Rotor Temperature and Pressure Light (Ref, wire G716-1899)		
	A688-1	Oil Temperature Switch (Ref, see Figure 63-3)		
	B426-3	Oil Pressure Switch (Ref, see Figure 63-3)		
9	—	Engine Chip Light (Ref, wire G716-1931)		
	6871534*	Oil Plug/Chip Detector (Ref, see Figure 71-5)		
10	—	Engine Oil Light (Ref, wire G716-6)		
	D745-3	Oil Pressure Switch (Ref; see Figure 71-5)		
11	—	Generator [low voltage] Light (Ref, wire G716-1978)		
	LM-1210-E-MABND	Low Voltage Sensor Module (Ref, see Figure 96-41)		
12	—	Fuel Filter Light (Ref, wire G655-2340)		
	G426-1	Fuel Differential Pressure Switch (Ref, see Figure 71-5)		
	G655-2	Fuel Filter Warning Time Delay Assy (Ref, see Figures 95-1, 95-27, and 95-35)		
13	—	Cowl Door Light (Ref, wire G716-1968)		
	D2VW-5L3-1HS	Switch (Ref, see Figures 52-13 and 96-41)		
14	—	EMU Light (Ref, wire G716-2062)		
	F695-4,-1	Warning Light Test Board (Ref, see Figure 97-63)		
	RR30000470*	Engine Monitoring Unit (Ref, see Figure 71-23)		

NOTES * Rolls Royce part number.

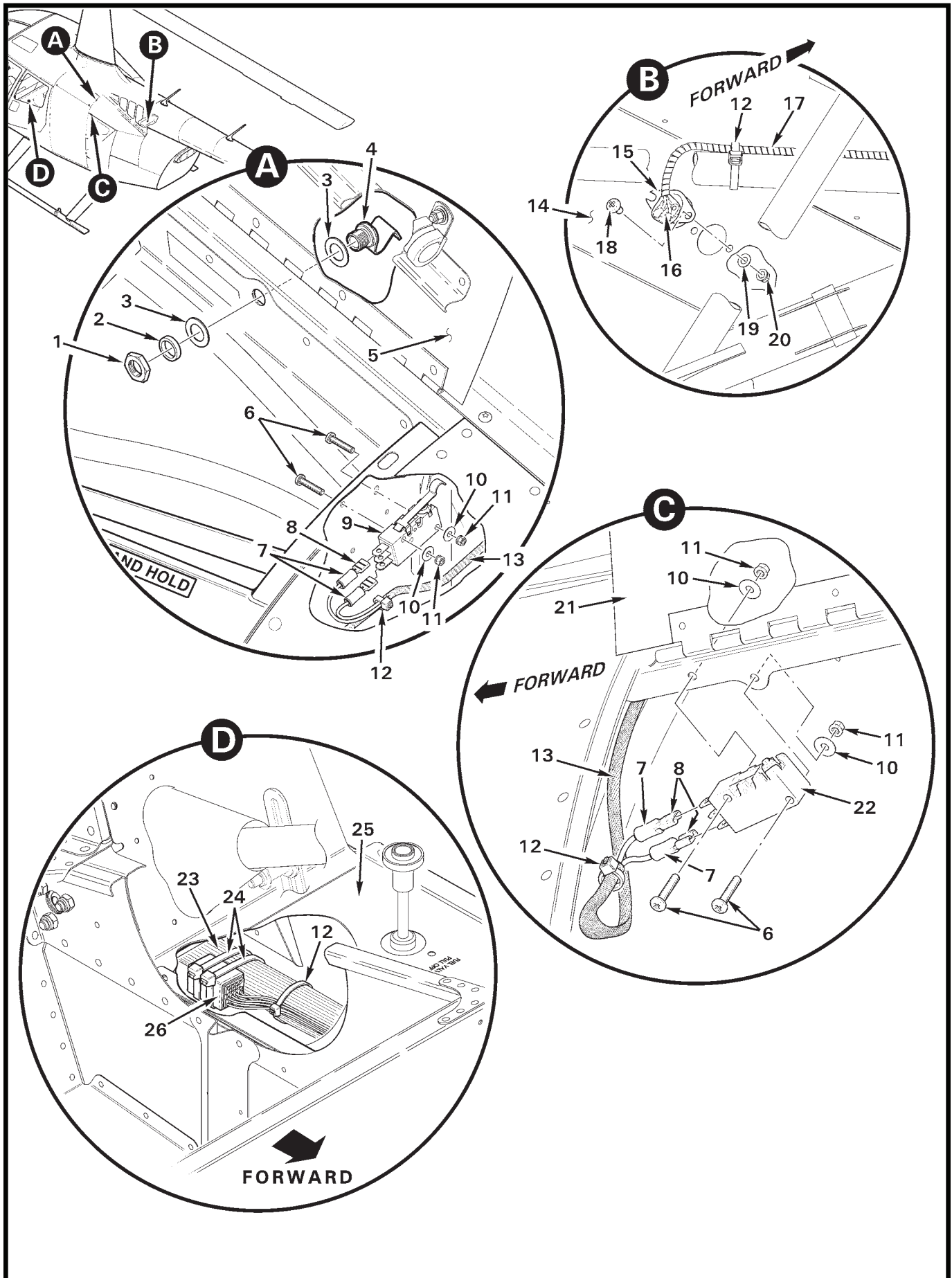


FIGURE AND INDEX NUMBER	PART NUMBER	DESCRIPTION	PARTS AVAIL	QTY PER ASSY
ENGINE FIRE, COWL DOOR AND LOW VOLTAGE SENSORS				
96-41-1	—	Nut	O	1
2	A130-60	Spacer	X	1
3	—	Washer	O	2
4	RB9526	Jack (Incl items 1 and 3)	X	1
5	G004-2	Door (Ref; fuel door)		
6	MS35206-218	Screw	X	2
7	B158-3	Heat Shrink	X	A/R
8	B262-2	Receptacle	X	4
9	D267-1	Switch	X	1
10	NAS1149FN416P	Washer	X	4
11	MS21042L04	Nut	X	4
12	MS3367-4-9	Ty-Rap	X	A/R
13	B266-4	Sleeving	X	A/R
14	G929-1	Cover (Ref)		
15	A688-2	Switch (engine compartment fire)	X	1
16	B270-1	Sealant (covers terminals and top of switch)	X	A/R
17	B161-2	Spirap	X	A/R
18	MS35206-226	Screw	X	2
19	NAS620-6L	Washer	X	2
20	MS21042L06	Nut	X	2
21	G004-10	Door (Ref; gear box door)		
22	D2VW-5L3-1HS	Switch	X	1
23	F859	Harness Assembly – Electrical (Ref; cabin)		
24	MS3367-7-9	Ty-Rap	X	2
25	F445	Cover Assembly (Ref)		
26	LM-1210-E-MABND	Module (low-voltage sensor)	X	1

NOTES

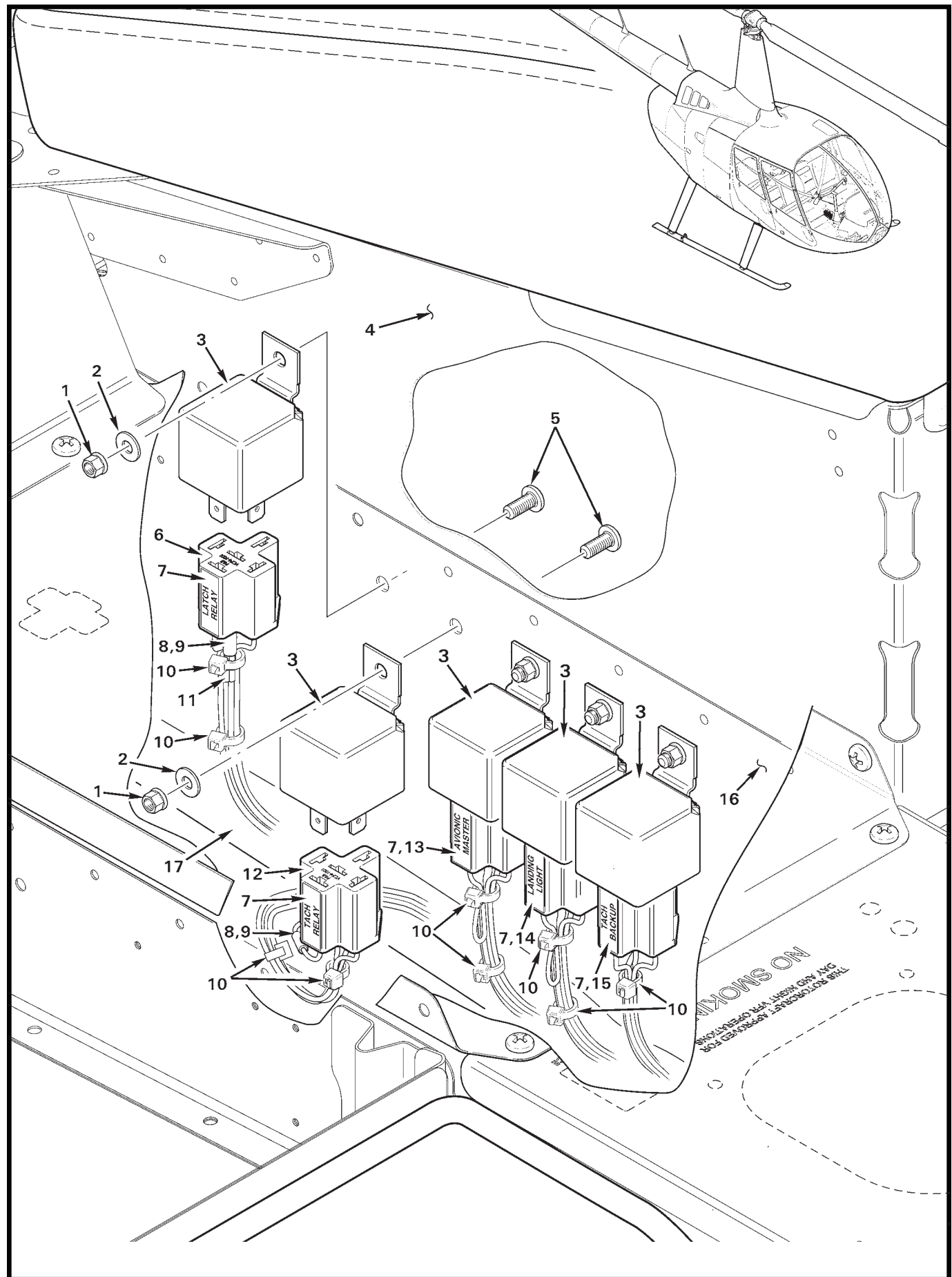
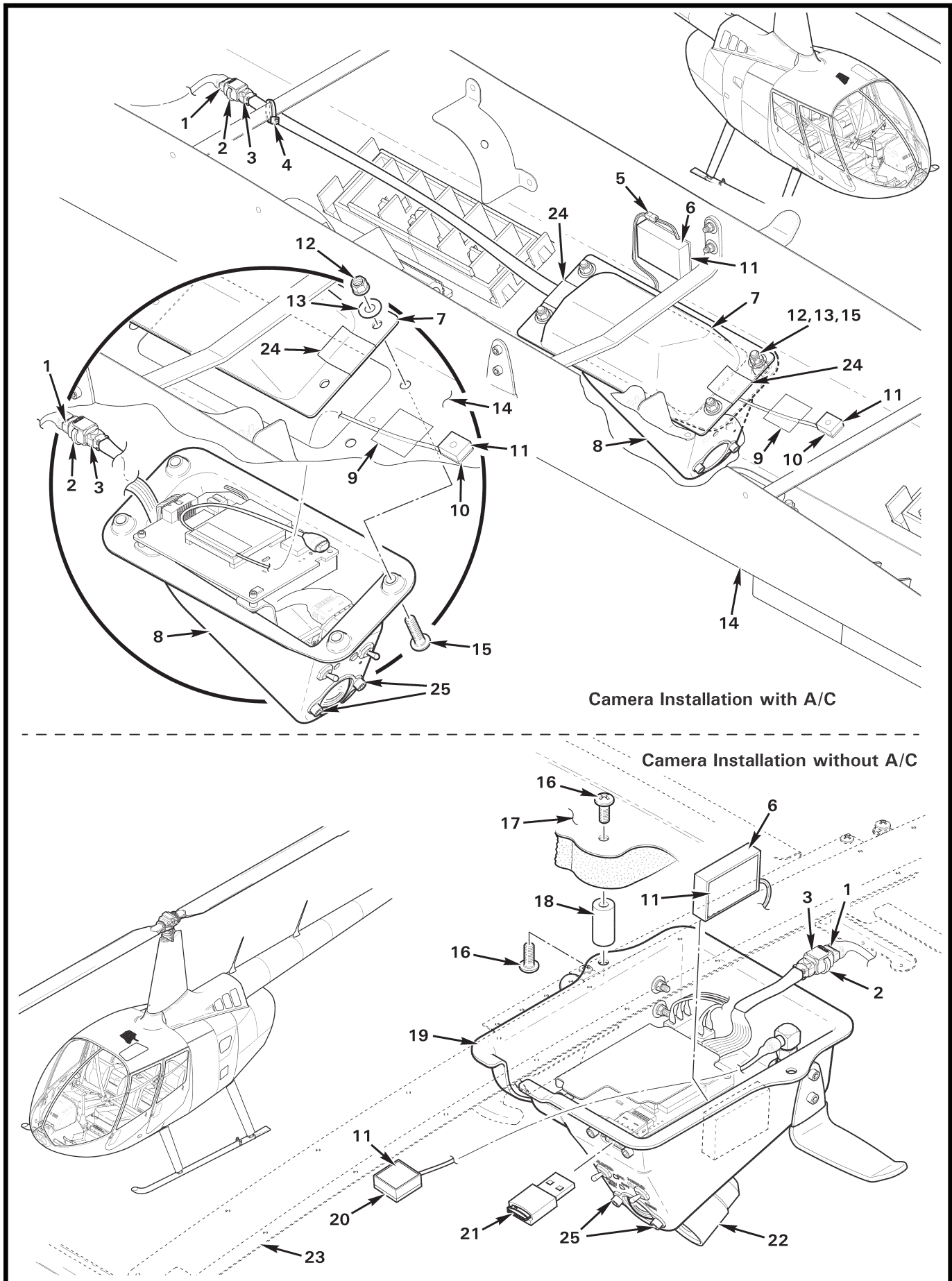


FIGURE AND INDEX NUMBER	PART NUMBER	DESCRIPTION	PARTS AVAIL	QTY PER ASSY
ELECTRICAL RELAY INSTALLATION				
96-43-1	MS21042L08	Nut	X	5
2	NAS1149FN816P	Washer	X	5
3	D260-4	Relay (40 amp, 24-volt)	X	5
4	F297-2	Support – Seat (Ref; LH, forward)		
5	MS27039C0806	Screw	X	5
6	D260-6	Connector (Incl item 7 label "LATCH RELAY")	X	1
	B262-6	Receptacle	X	3
	B262-9	Receptacle	X	1
7	B385-12	Label Tape	X	A/R
8	D275-101	Diode	X	2
9	B158-1	Heat Shrink	X	A/R
10	MS3367-4-9	Ty-Rap	X	A/R
11	B267-5	Solder Splice	X	1
12	D260-6	Connector (Incl item 7 label "TACH RELAY")	X	1
	B262-6	Receptacle	X	3
	B262-9	Receptacle	X	1
13	D260-6	Connector (Incl item 7 label "AVIONIC MASTER")	X	1
	B262-6	Receptacle	X	2
	B262-9	Receptacle	X	2
14	D260-6	Connector (Incl item 7 label "LANDING LIGHT")	X	1
	B262-6	Receptacle	X	3
	B262-9	Receptacle	X	1
15	D260-6	Connector (Incl item 7 label "TACH BACKUP")	X	1
	B262-6	Receptacle	X	4
16	F293-1	Panel – Keel (Ref; LH, forward)		
17	F859	Harness Assembly – Electrical (Ref; cabin)		

NOTES



Camera Installation with A/C

Camera Installation without A/C

FIGURE AND INDEX NUMBER	PART NUMBER	DESCRIPTION	PARTS AVAIL	QTY PER ASSY
		COCKPIT CAMERA INSTALLATION		
96-45-1	D269-6	Receptacle (Ref; includes [6] M39029/57-354 sockets. Included with F859* main wire harness assembly.)		
2	MS3367-4-9	Ty-Rap (locks connector)	X	1
3	D269-5	Plug (includes [6] M39029/58-360 pins)	X	1
4	MS3367-4-9	Ty-Rap ([1] location on A/C ships)	X	1
5	—	Battery Extension Harness (used on ships with A/C installed)	X	1
6	RV-BATT-LIPO500	Battery (Ref, install using item 11)		
7	F712-4	Cover (install using item 24 [2] places)	X	1
8	F039-3	Enclosure Assembly – Cockpit Camera (with A/C installed; includes items 5, 6, 9 thru 11, and 25 [2])	X	1
9	A701-1	Tape	X	A/R
10	F714-3	Antenna Assembly (install metal side down, using item 11) . .	X	1
11	A701-7	Tape	X	A/R
12	MS21042L08	Nut	X	4
13	NAS1149FN816P	Washer	X	4
14	G796-2	Duct Assembly (Ref)		
15	MS27039C0809	Screw	X	4
16	MS27039C0806	Screw	X	4
17	F273-1	Roof (Ref; see Figure 33-13)		
18	C710-3	Spacer	X	2
19	F039-2	Enclosure Assembly – Cockpit Camera (without A/C installed; includes items 6, 9, 11, 20, 22, and 25 [2])	X	1
20	F714-2	Antenna Assembly (install metal side down, using item 11) . .	X	1
21	F714-4	Flash Drive Assembly	X	1
22	D606-1	Spotlight (Ref)		
23	F238	Support (Ref)		
24	A701-5	Tape (wrap around edge of item 7)	X	A/R
25	NAS1352-04-4	Screw	X	4
		* * *		
26	KI-275-3**	R66 Cockpit Camera Installation Kit Instructions	X	A/R
27	KI-275-5**	R66 (with A/C) Cockpit Camera Installation Kit Instructions . .	X	A/R

NOTES * D275-205 fuse is located in cockpit camera D262 fuse block in circuit breaker panel.
 ** See www.robinsonheli.com for kit contents and instructions.

Intentionally Blank