

CHAPTER 6

DIMENSIONS AND DESCRIPTIONS

<u>Figure</u>	<u>Title</u>	<u>Page</u>
6-1	Access Panels – Forward Cabin	6.0
6-3	Access Panels – Aft Cabin	6.2
6-5	Access Panels – Aft Fuselage (LH)	6.4
6-7	Access Panels – Aft Fuselage (RH)	6.6
6-9	Access Panels – Chin	6.8
6-11	Access Panels – Belly	6.10
6-13	Access Panels – Belly (Float Ship)	6.12
6-15	ADF/Marker Beacon Antennas	6.14
6-17	UHF and DME Antennas	6.16
6-19	Transponder Antenna Installation	6.18
6-21	Aft Belly Antennas	6.20
6-23	Aft Belly Antennas	6.22
6-25	Kannad ELT Antenna Installation	6.24
6-27	GPS Antenna Installation (Cowl Mount)	6.26
6-29	Tailcone Antenna Connectors	6.28
6-31	Forward Upper Tailcone Antennas	6.30
6-33	Aft Upper Tailcone Antennas	6.32
6-35	Lower Tailcone Antennas	6.34
6-37	NAV Antenna Installation	6.36
6-39	NAV Antenna Combiner / Diplexer Installation	6.38
6-41	Radar Altimeter Antennas	6.40
6-43	Glideslope Antenna Installation	6.42

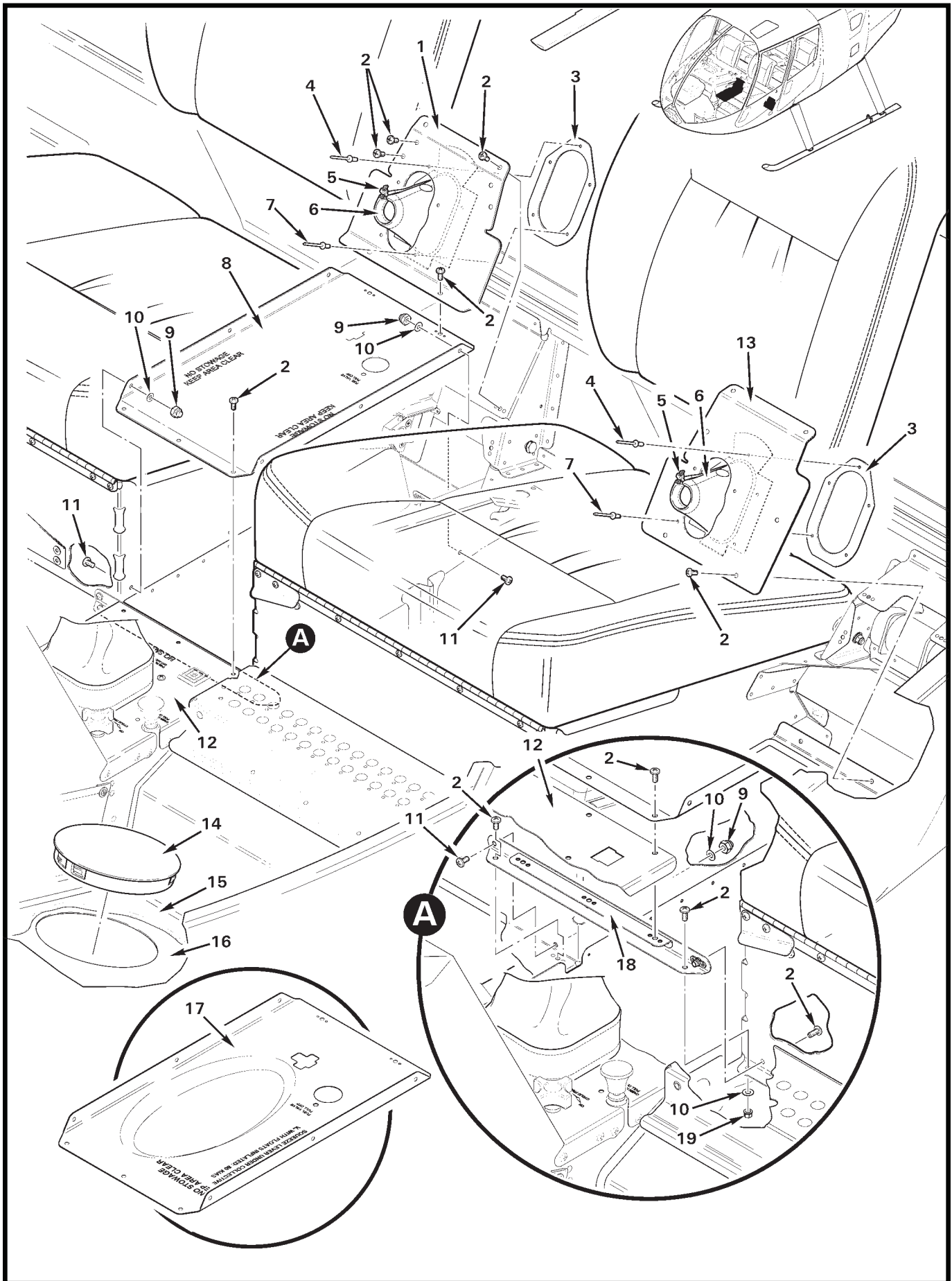


FIGURE AND INDEX NUMBER	PART NUMBER	DESCRIPTION	PARTS AVAIL	QTY PER ASSY
ACCESS PANELS – FORWARD CABIN				
6-1-1	F680-3	Cover Assembly (Incl items 3, 4, 6, and 7)	X	1
2	MS27039C0806	Screw	X	20
3	F680-5	Ring	X	1
4	B204-2	Rivet (upper)	X	1
5	MS3367-5-0	Ty-Rap	X	1
6	A678-3	Boot Assembly (Incl item 5)	X	1
7	B204-1	Rivet (lower)	X	4
8	F445-1	Cover Assembly	X	1
9	B340-4	Nut	X	7
10	NAS1149FN816P	Washer	X	8
11	MS27039C0805	Screw	X	7
12	F444	Cover – Cyclic Control Assembly (Ref)		
13	F680-1	Cover Assembly (Incl items 3, 4, 6, and 7)	X	1
14	2451	Plug	X	2
15	F469	Carpet Assembly (Ref)		
16	F232	Floor – Cabin (Ref)		
17	F445-3	Cover Assembly (float-equipped R66s)	X	1
18	F443-3	Angle Assembly	X	1
19	MS21042L08	Nut	X	1

NOTES

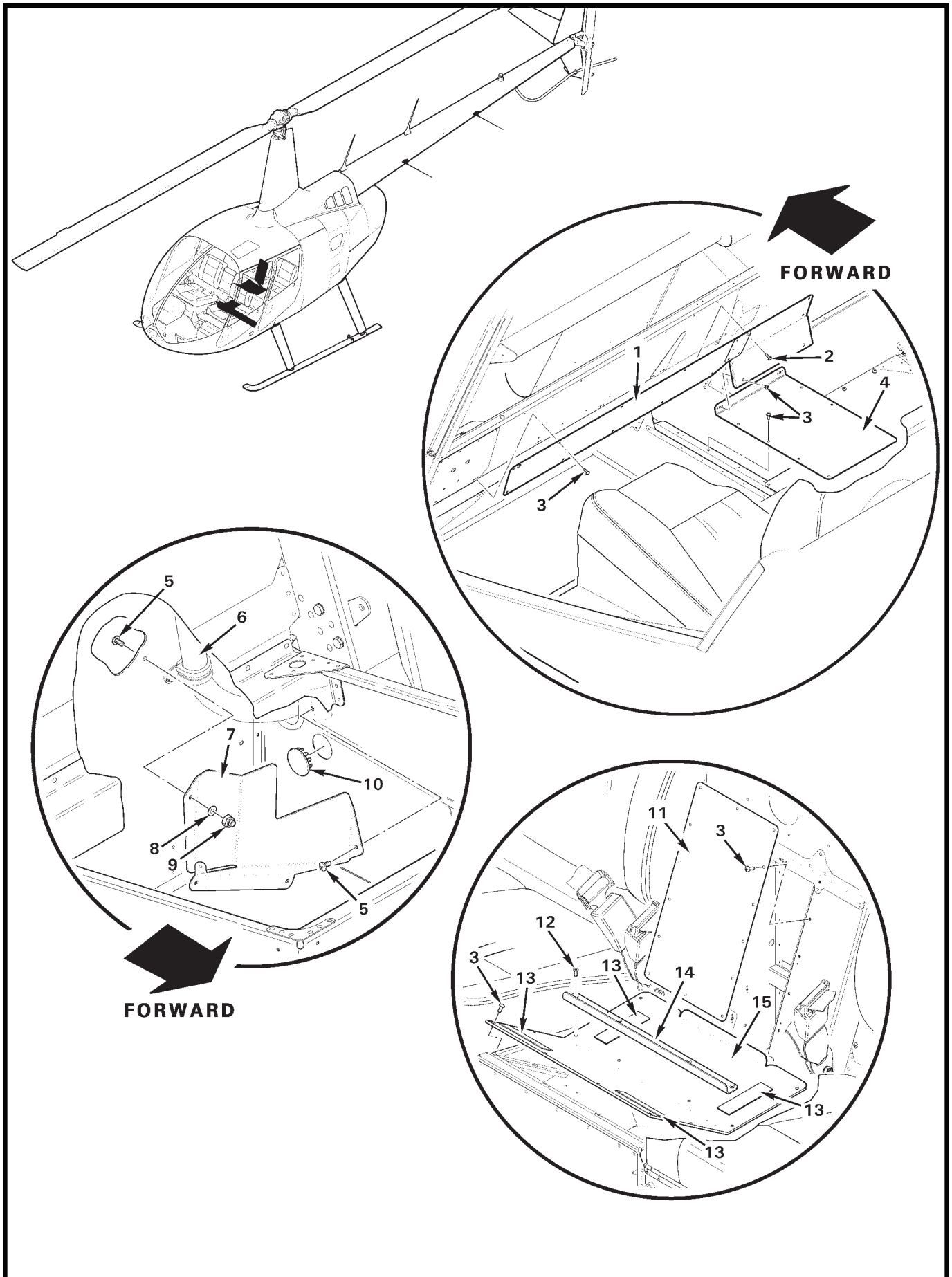


FIGURE AND INDEX NUMBER	PART NUMBER	DESCRIPTION	PARTS AVAIL	QTY PER ASSY
ACCESS PANELS – AFT CABIN				
6-3-1	F461-1	Cover Assembly	X	1
2	MS27039C0807	Screw	X	4
3	MS27039C0806	Screw	X	31
4	F463-1	Cover Assembly	X	1
5	MS27039C0805	Screw	X	4
6	F859-03	Harness Assembly (cabin; Ref)		
7	F467-1	Cover	X	1
	F467-3	Cover (pop-out floats; not shown)	X	1
8	NAS1149FN816P	Washer	X	3
9	B340-4	Nut	X	3
10	B209-8	Plug (flight controls access)	X	1
11	F474-2	Cover	X	1
12	MS24694-S4	Screw	X	4
13	B175-12	Loop Tape	X	A/R
14	F380-8	Angle	X	1
15	F474-1	Cover Assembly (see Figure 25-1 for seat details)	X	1
NOTES				

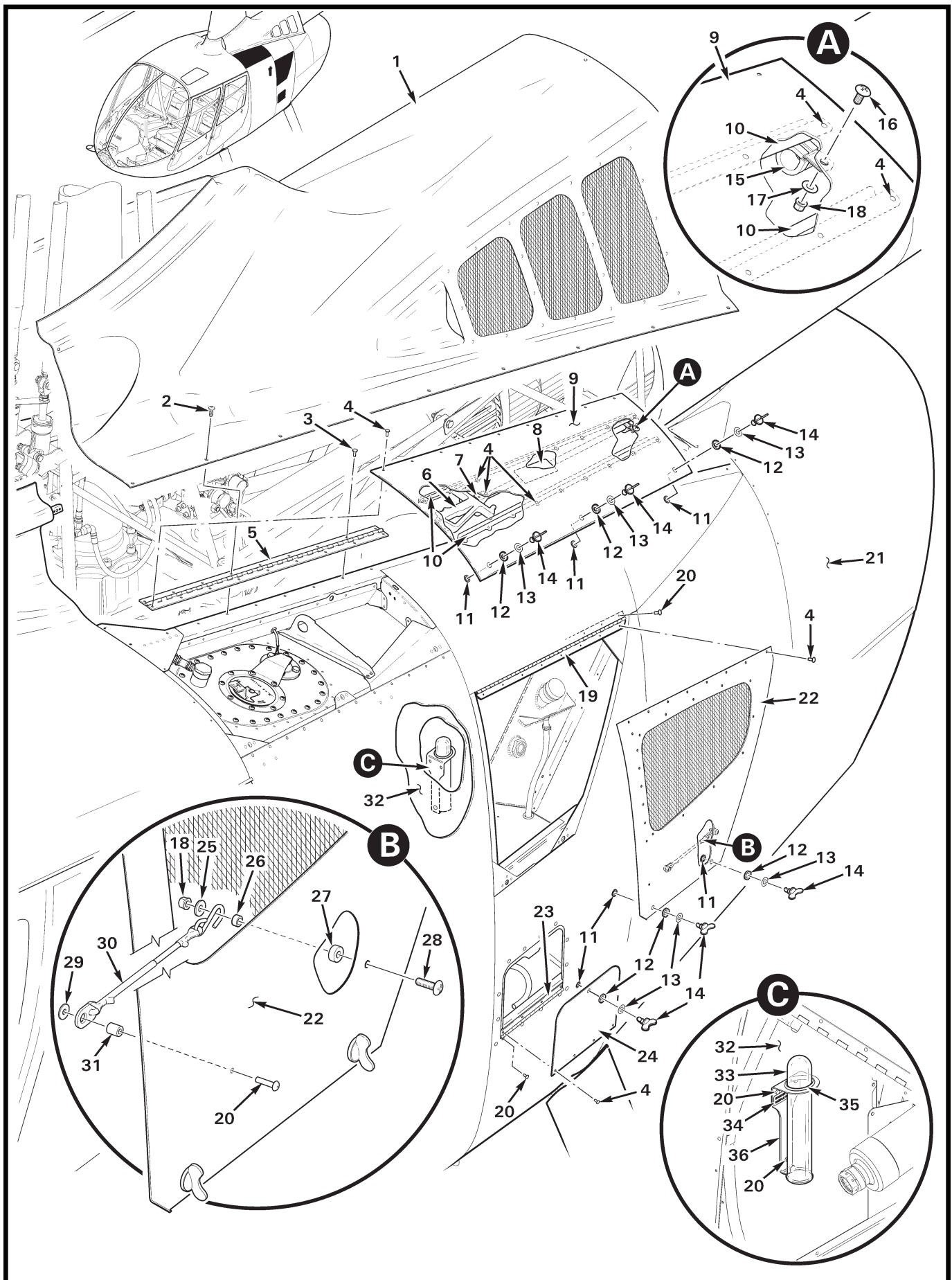


FIGURE AND INDEX NUMBER	PART NUMBER	DESCRIPTION	PARTS AVAIL	QTY PER ASSY
ACCESS PANELS – AFT FUSELAGE (LH)				
6-5-1	F706-1	Cowling	X	1
2	B526-6	Screw	X	24
3	MS20426AD3	Rivet	X	7
4	MS20470AD3	Rivet	X	35
5	G925-1	Hinge	X	1
6	MT106-2	Fuel Dipstick	X	1
7	G926-9	Bracket	X	1
8	G682-20	Decal – "STOW MT106-2 FUEL DIPSTICK"	X	1
9	G004-2	Door	X	1
10	G926-5	Stiffener	X	2
11	85-34-201-20	Retaining Ring	X	6
12	85-46-101-39	Washer	X	6
13	NAS1149C0516R	Washer ([shim] increases stud axial preload on receptacle) . .	X	A/R
14	85-12-140-16	Stud (or 85-12-160-16 as required)	X	6
15	MS21919WDG8	Clamp	X	1
16	AN526C832R6	Screw	X	1
17	NAS1149CN816P	Washer	X	1
18	MS21042L08	Nut	X	2
19	G925-4	Hinge (install using item 20)	X	1
20	MS20470AD4	Rivet	X	17
21	G040-1	Cowling Assembly (Ref)		
	G040-7	Cowling Assembly (Ref; with A/C installed)		
22	G004-10	Door (install using item 4)	X	1
23	G925-1	Hinge (install using item 20)	X	1
24	G927-1	Door (install using item 4)	X	1
25	NAS1149FN832P	Washer	X	1
26	A130-13	Spacer	X	1
27	A130-37	Spacer	X	1
28	AN526-C832R10	Screw (do not substitute with MS27039 screws)	X	1
29	NAS1149FN632P	Washer	X	1
30	D918-5	Elastic Cord Assembly	X	1
31	A130-55	Spacer	X	1
32	—	Aft Bulkhead – Fuel Bladder Support Assembly (Ref)		
33	MT106-3	Tube (sample)	X	1
34	G682-21	Decal – "STOW FUEL SAMPLE TUBE HERE"	X	1

NOTES

Continues

FIGURE AND INDEX NUMBER	PART NUMBER	DESCRIPTION	PARTS AVAIL	QTY PER ASSY
ACCESS PANELS – AFT FUSELAGE (LH; Cont'd)				
6-5-35	NAS557-16A	Grommet	X	1
36	MT106-1	Holder Assembly (includes items 34 and 35; install using item 20 [3])	X	1
* * *				
37	KI-230*	Fuel Sample Tube Installation Kit	X	A/R
38	KI-231*	MT106-2 Fuel Dipstick and Holder Installation Kit (Incl items 4, 6 thru 8, and 15 thru 18)	X	A/R

NOTES * See www.robinsonheli.com for kit contents and instructions.

Intentionally Blank

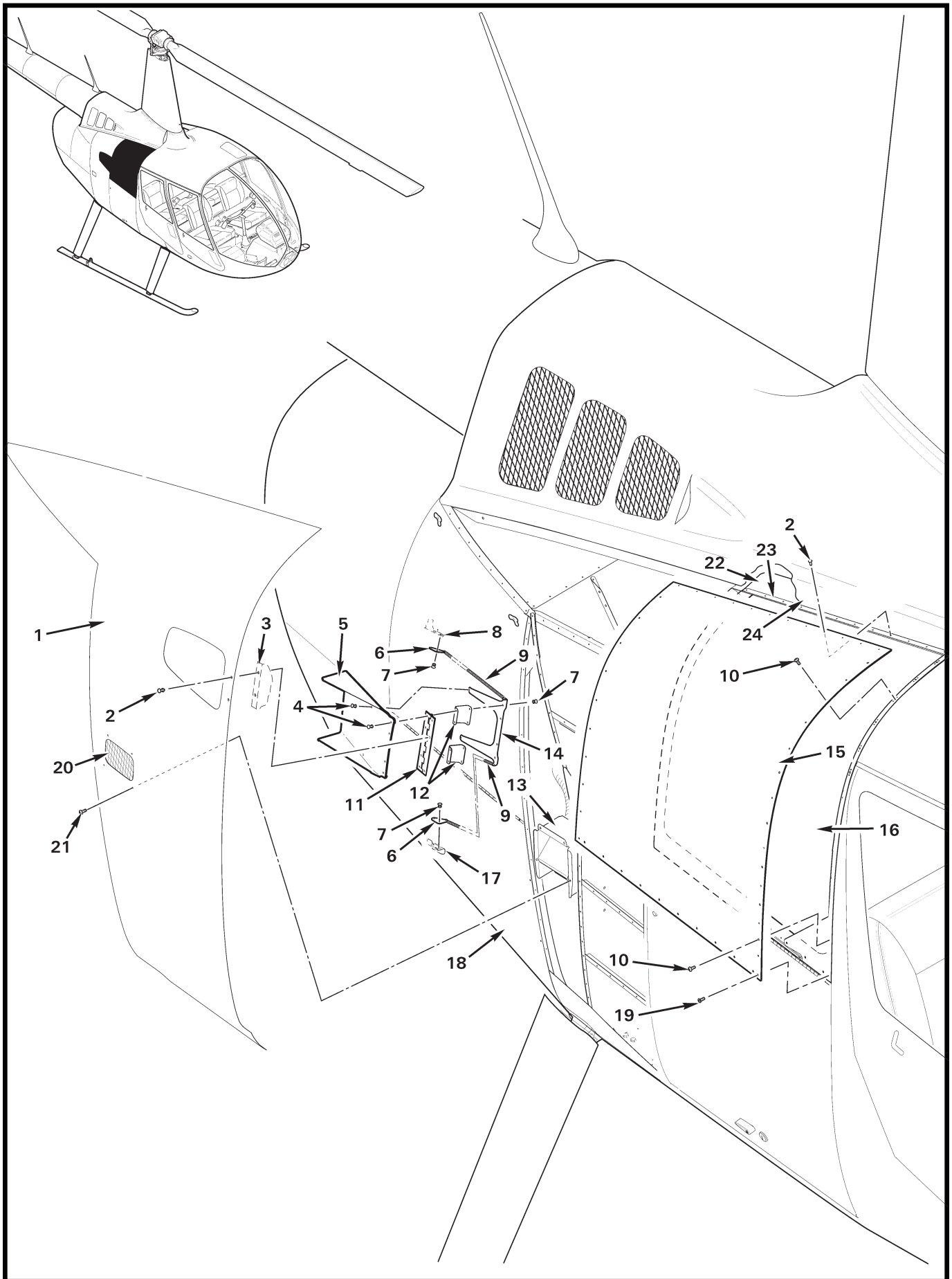


FIGURE AND INDEX NUMBER	PART NUMBER	DESCRIPTION	PARTS AVAIL	QTY PER ASSY
ACCESS PANELS – AFT FUSELAGE (RH)				
6-7-1	G004-8	Skin (Ref)		
2	MS20470AD4	Rivet	X	14
3	G236-1	Bulkhead (Ref)		
4	MS20426AD3	Rivet	X	6
5	G910-1	Scoop Assembly (Incl G910-2 and items 11, 12, 14)	X	1
	G910-2	Scoop	X	1
6	G926-6	Tab	X	2
7	MS20470AD3	Rivet	X	6
8	G926-1	Channel (Ref)		
9	B774-9	Spring	X	2
10	MS27039C0806	Screw	X	24
11	G925-6	Hinge	X	1
12	G910-3	Tab	X	2
13	G918-1	Box Assembly (Ref; see Figure 75-1)		
14	G910-4	Panel	X	1
15	G004-4	Skin	X	1
16	G028-1	Fuel Bladder Assembly (Ref)		
17	G912-4	Stiffener (Ref)		
18	G040	Cowling Assembly (Ref)		
19	MS24694-S4	Screw (bonded to item 1 with B270-1 sealant)	X	12
20	G918-5	Screen (Ref; see Figure 75-1)		
21	MS27039C0807	Screw	X	4
22	G928-1	Skin (Ref)		
23	G928-2	Spacer	X	1
24	F706-1	Cowling (Ref)		

NOTES

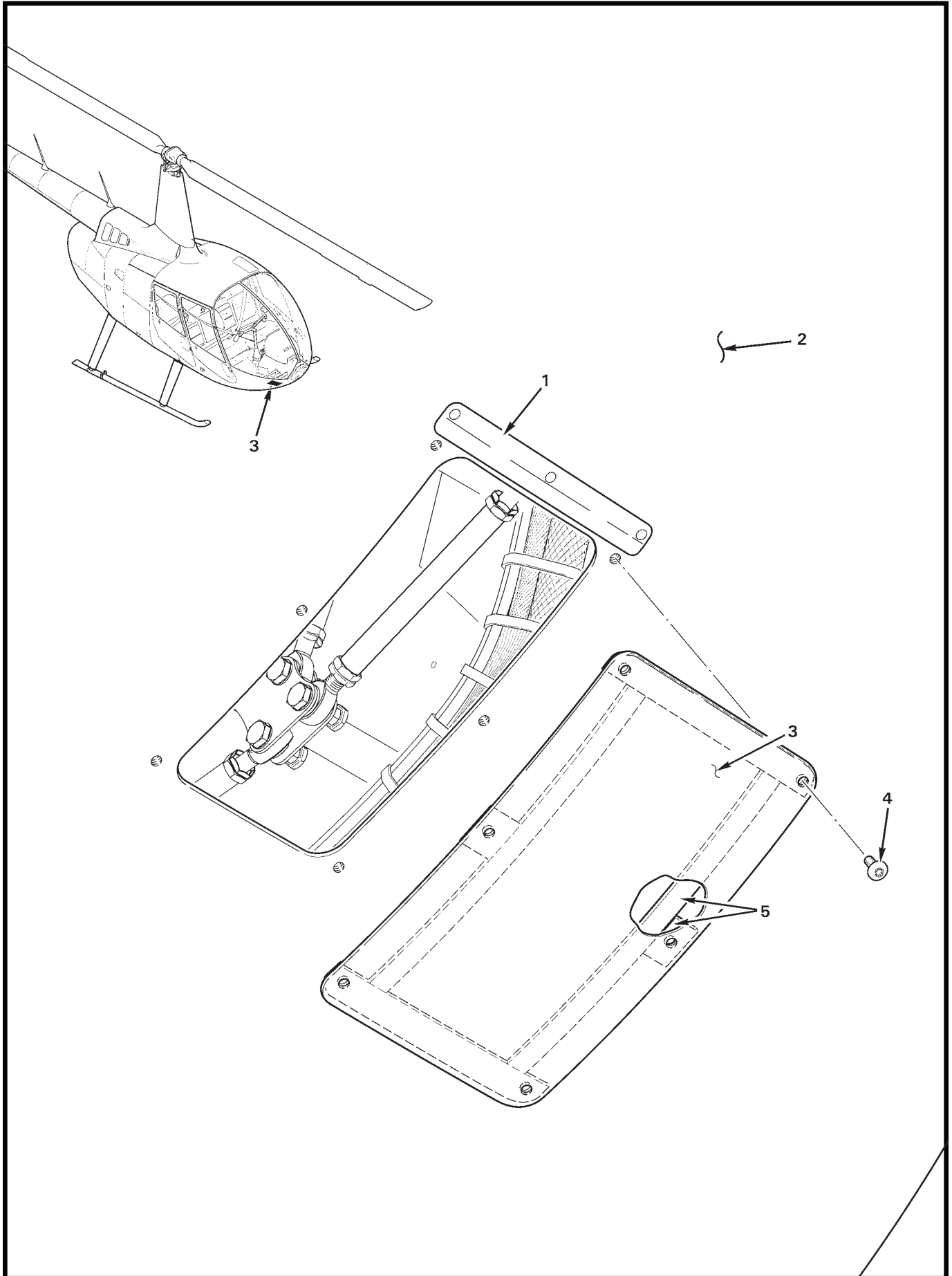


FIGURE AND INDEX NUMBER	PART NUMBER	DESCRIPTION	PARTS AVAIL	QTY PER ASSY
ACCESS PANELS – CHIN				
6-9-1	C795-2	Shingle (Ref)		
2	F272-1	Chin (Ref)		
3	C795-1	Cover (inspection)	X	1
4	B526-6	Screw (or MS27039C0806)	X	6
5	A226-16	Seal (pop-out floats)	X	A/R
NOTES				

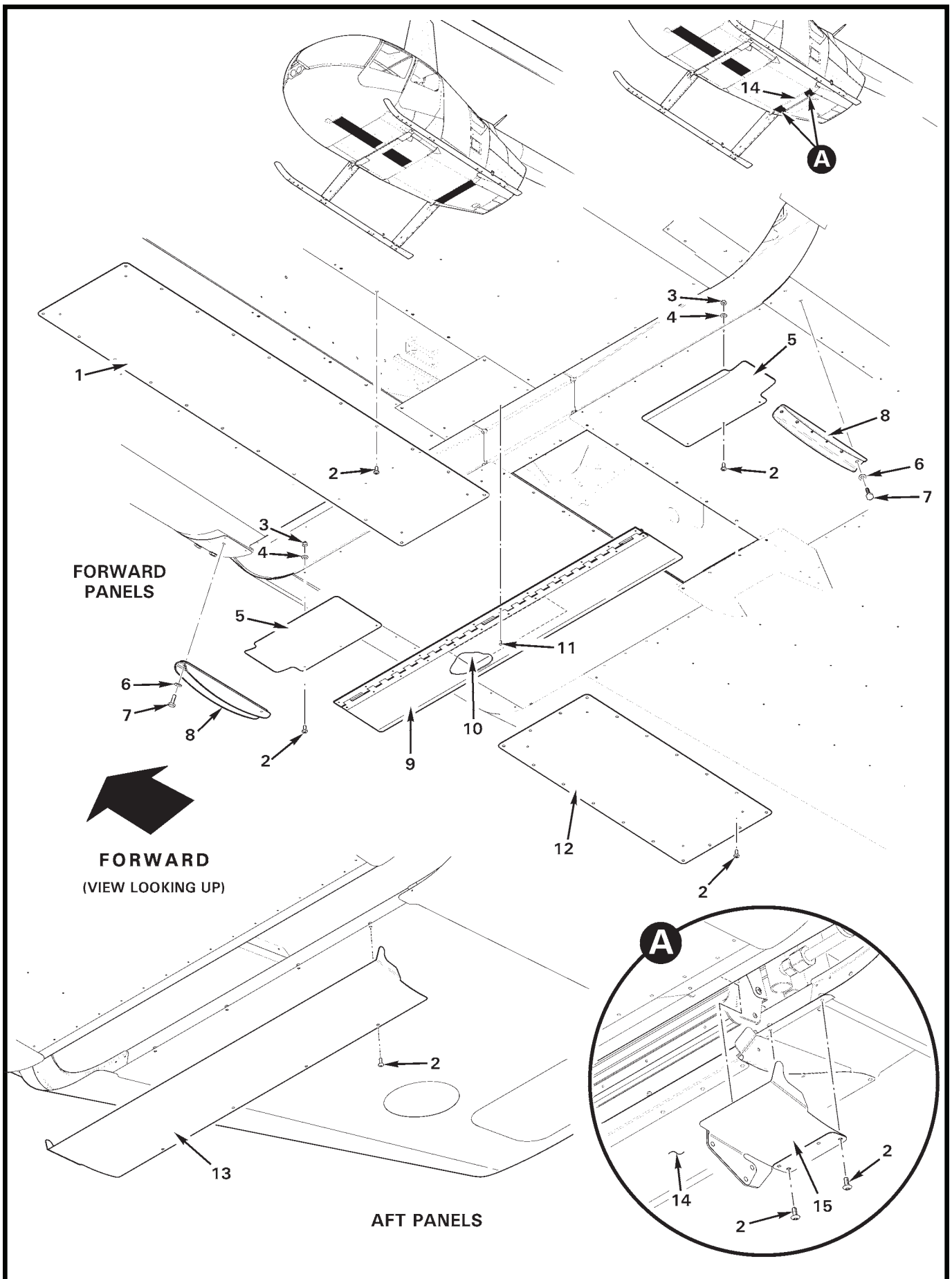


FIGURE AND INDEX NUMBER	PART NUMBER	DESCRIPTION	PARTS AVAIL	QTY PER ASSY
ACCESS PANELS – BELLY				
6-11-1	F794-1	Panel	X	1
2	B526-6	Screw	X	64
3	B340-4	Nut	X	6
4	NAS1149FN816P	Washer	X	6
5	F475-6	Cover	X	2
6	NAS1149F0332P	Washer	X	8
7	NAS6603-4	Bolt	X	8
8	F388-3	Channel Assembly	X	2
9	F475-1	Cover Assembly (Incl item 10)	X	1
10	A701-5	Tape (eight-inch length)	X	1
11	MS20470AD3	Rivet	X	12
12	F794-2	Panel	X	1
13	G308-2	Cover	X	1
14	G311-10*	Scoop (Ref)		
15	G311-3*	Cover Assembly (LH)	X	1
	G311-4*	Cover Assembly (RH)	X	1

NOTES * For air-conditioned ships.

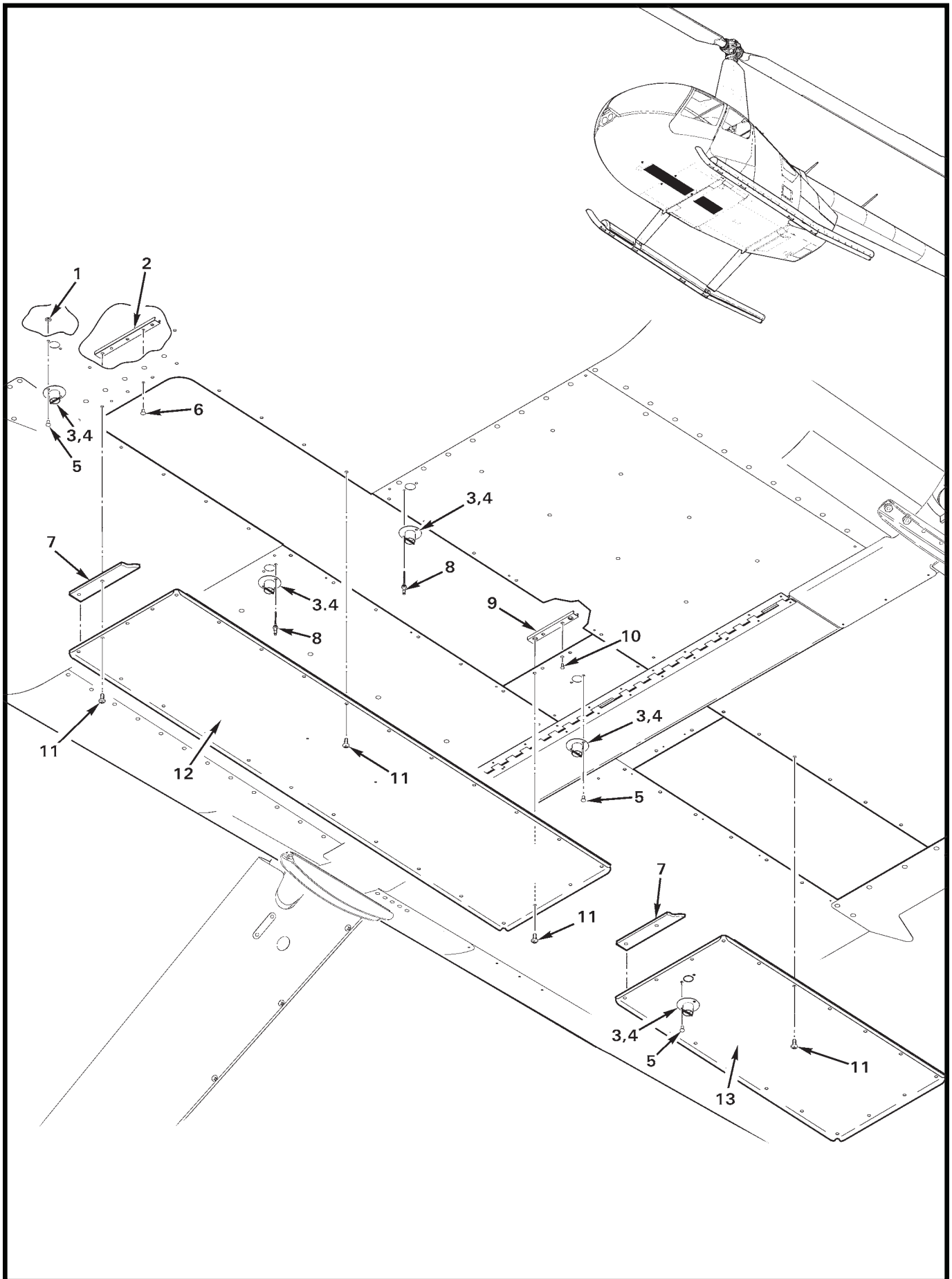


FIGURE AND INDEX NUMBER	PART NUMBER	DESCRIPTION	PARTS AVAIL	QTY PER ASSY
ACCESS PANELS – BELLY (FLOAT SHIP)				
6-13-1	NAS620-5	Washer	X	2
2	A738-46	Gang Channel	X	1
3	D371-4	Valve Assembly (install using item 4)	X	5
4	B270-1	Sealant	X	A/R
5	MS20470AD4	Rivet	X	4
6	MS20426AD3	Rivet	X	2
7	A701-13	Foam Tape	X	A/R
8	NAS9301B-4-01	Rivet	X	4
9	A738-8	Gang Channel	X	1
10	NAS1097AD3	Rivet	X	2
11	B526-6	Screw	X	45
12	F794-3	Panel Assembly – Forward (Incl item 7)	X	1
13	F794-4	Panel Assembly – Aft (Incl items 3 [1], 4, 5 [2], and 7)	X	1
NOTES				

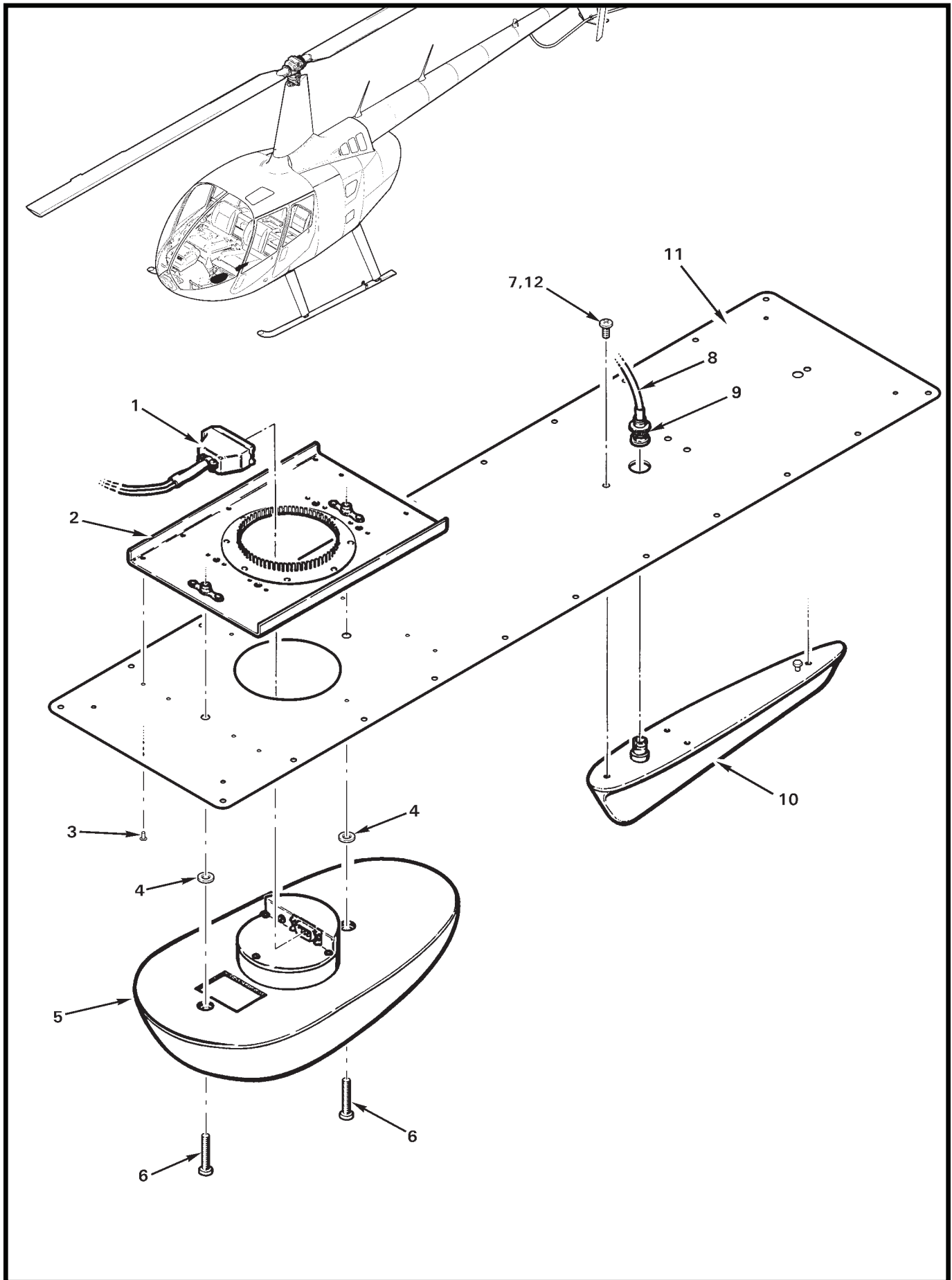


FIGURE AND INDEX NUMBER	PART NUMBER	DESCRIPTION	PARTS AVAIL	QTY PER ASSY
ADF/MARKER BEACON ANTENNAS				
6-15-1	200-02586-0000 *	Cable Assembly	O	1
2	047-04956-0003 *	Doubler Plate	O	1
3	MS20470AD3	Rivet	X	10
4	NAS1149F0463P	Washer	X	2
5	KA44B*	Antenna – ADF (Ref; includes items 1, 2, and 6)		
6	C89-05534-0020 *	Screw	O	2
7	MS27039C1-07	Screw (install using item 12 on threads)	X	4
8	F850-210	Cable (Ref)		
9	5225395-6	Plug	X	1
10	CI-102**	Antenna – Marker Beacon	X	1
11	F794	Panel (Ref)		
12	B270-11	Adhesive (1.69-oz bottle)	X	A/R

NOTES * Honeywell Bendix/King part no.
 ** Comant Industries part no.

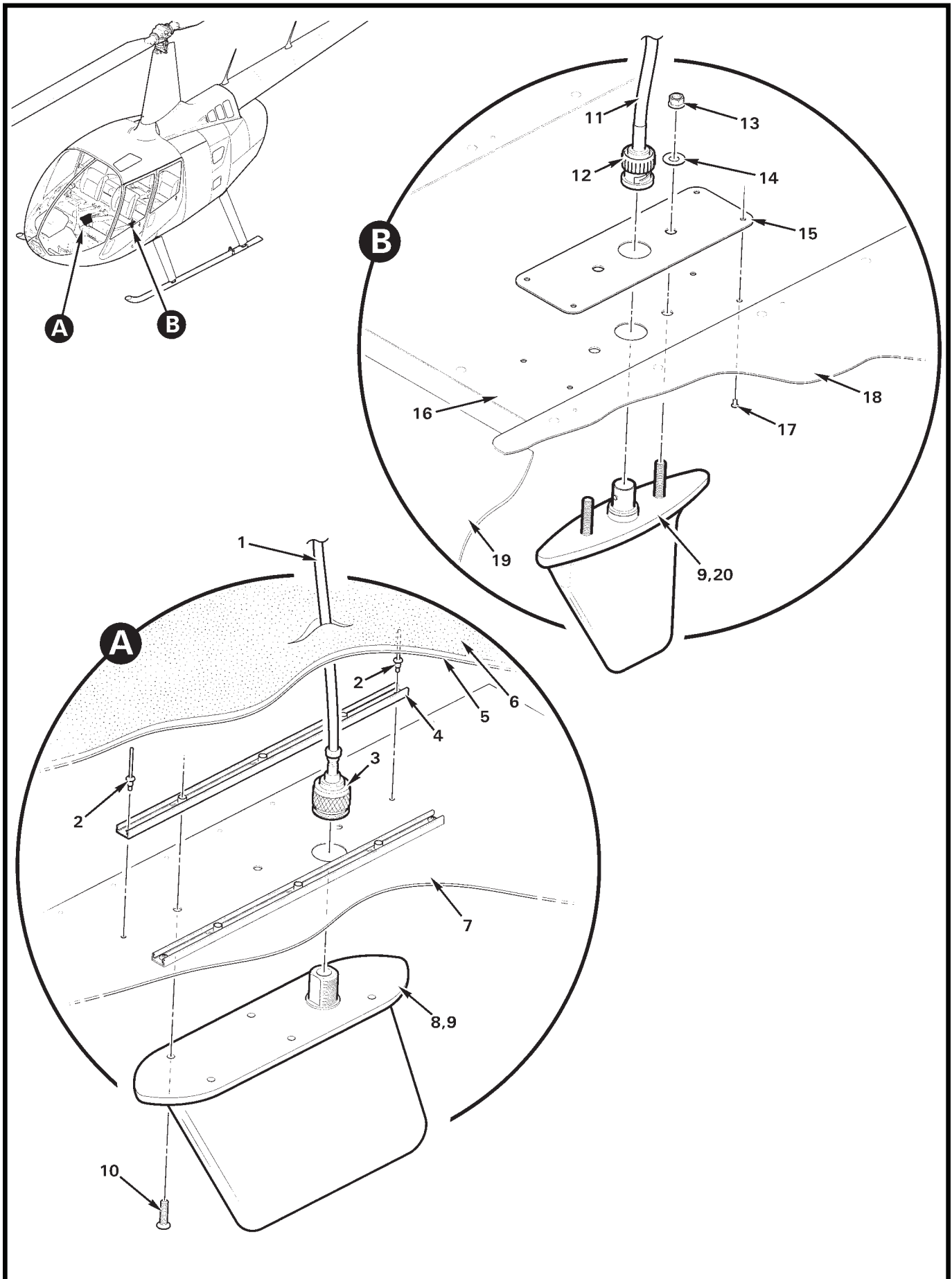


FIGURE AND INDEX NUMBER	PART NUMBER	DESCRIPTION	PARTS AVAIL	QTY PER ASSY
UHF AND DME ANTENNAS				
6-17-1	F850-1627	Cable (Ref)		
2	NAS9301B-4-01	Rivet	X	4
3	5225699-1	Plug	X	1
4	A738-34	Gang Channel	X	2
5	G232-2	Panel (Ref)		
6	F469-25	Liner (baggage floor; Ref)		
7	F388-1	Panel (Ref)		
8	CI-285	Antenna – UHF (400-960 MHz; install using item 9)	X	1
9	B270-1	Sealant	X	A/R
10	MS24694-C7	Screw	X	6
11	F850-452	Cable (Ref)		
12	5225395-6	Plug	X	1
13	MS21042L08	Nut	X	2
14	NAS1149FN816P	Washer	X	2
15	B322-12	Doubler	X	1
16	F794-2	Panel (Ref)		
17	MS20470AD3	Rivet	X	4
18	F387-1	Panel (Ref)		
19	F475-1	Cover Assembly (Ref)		
20	CI-105-16	Antenna – DME (960-1220 MHz; install using item 9)	X	1

NOTES

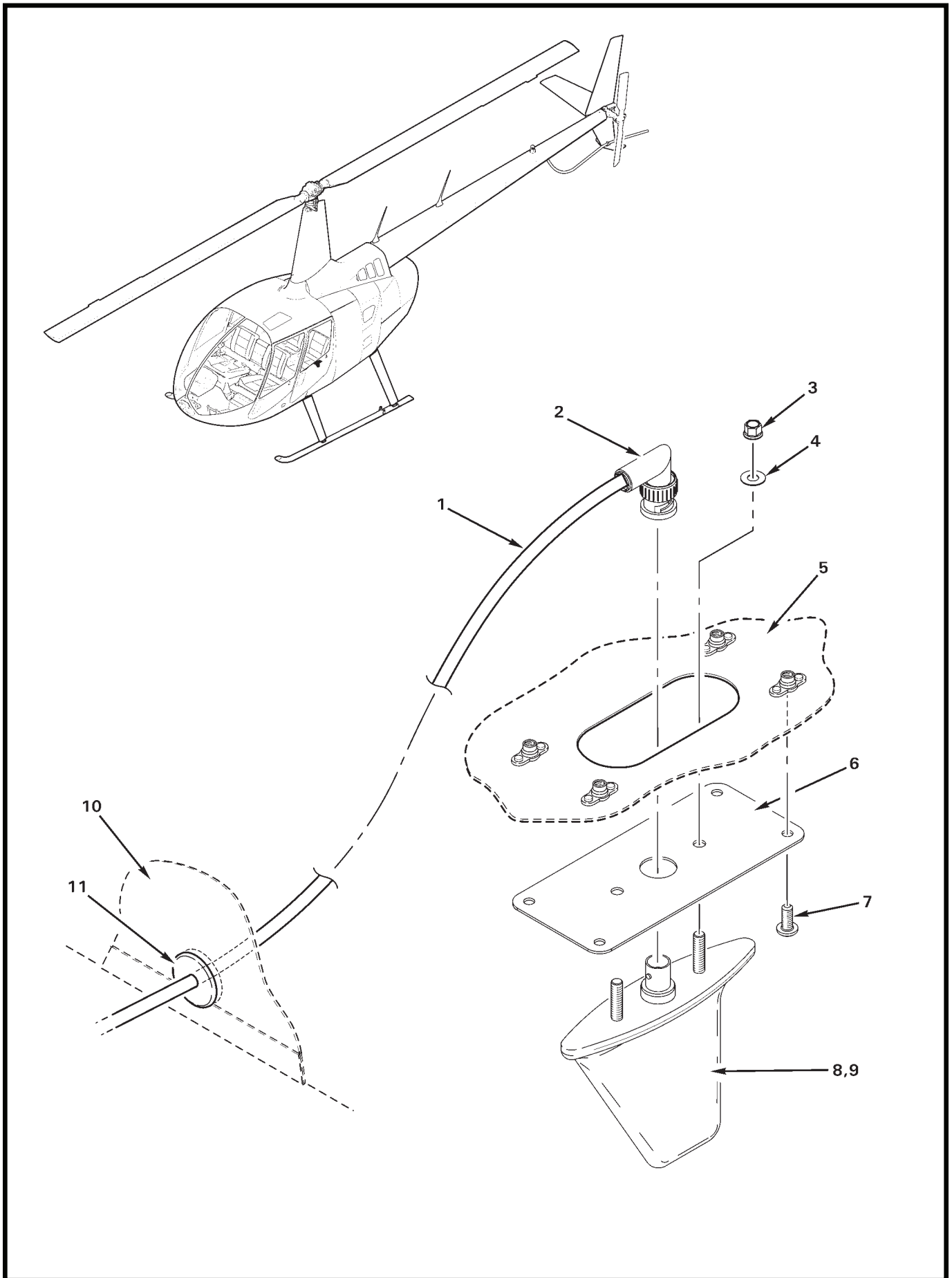


FIGURE AND INDEX NUMBER	PART NUMBER	DESCRIPTION	PARTS AVAIL	QTY PER ASSY
TRANSPONDER ANTENNA INSTALLATION				
6-19-1	F850-264	Cable (Ref)		
2	5225973-4	Plug	X	1
3	MS21042L08	Nut	X	2
4	NAS1149FN816P	Washer	X	2
5	—	Belly Panel (Ref)		
6	B322-11	Plate	X	1
7	MS27039C0806	Screw	X	4
8	CI-105-16*	Antenna – Transponder (alternate part no. KA0060**, install using item 9)	X	1
9	B270-1	Sealant	X	A/R
10	G259	Panel (bulkhead; Ref)		
11	MS35489-5	Grommet	X	1

NOTES * Comant Industries part no.
 ** Honeywell Bendix/King part no.

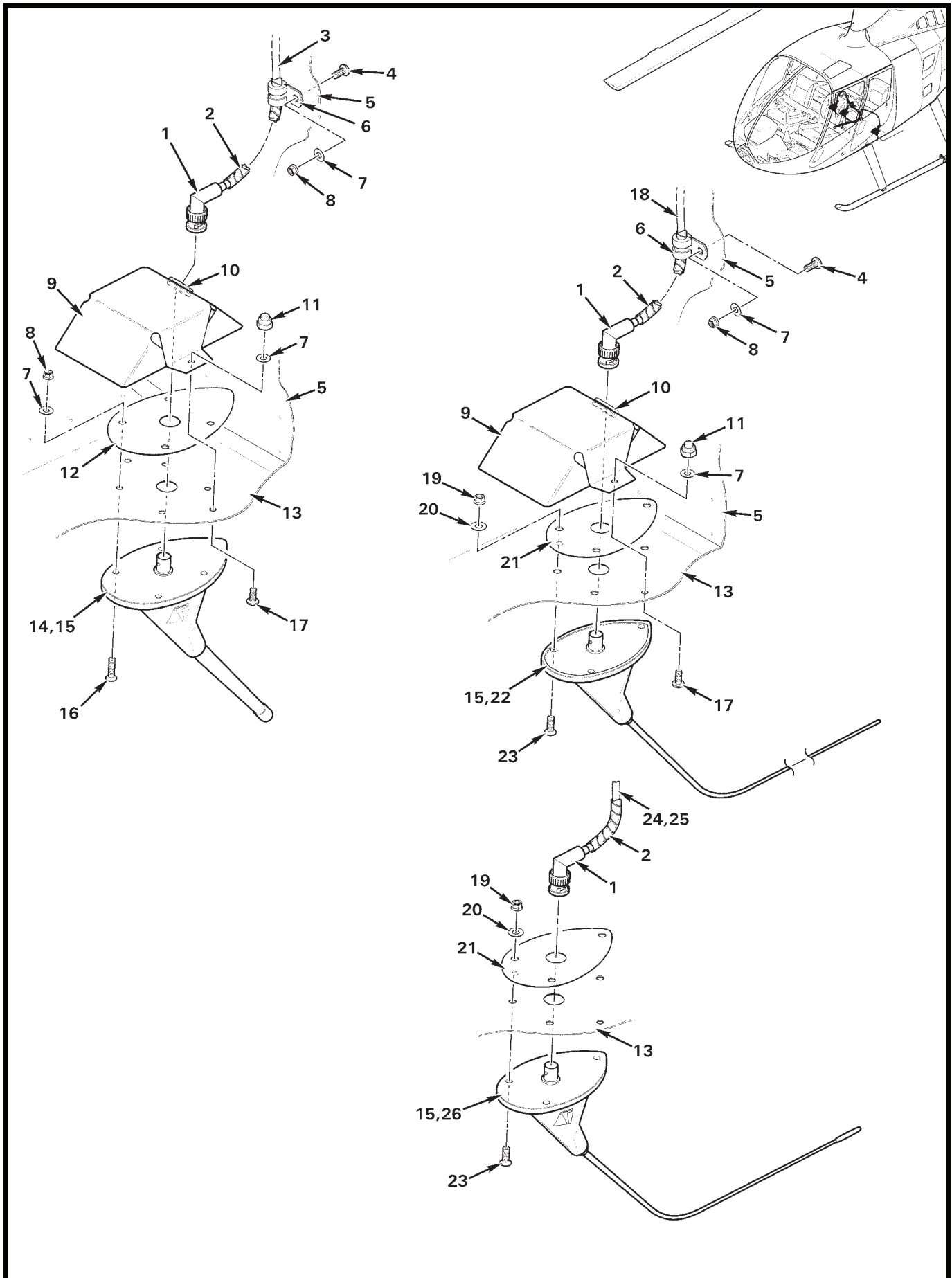


FIGURE AND INDEX NUMBER	PART NUMBER	DESCRIPTION	PARTS AVAIL	QTY PER ASSY
AFT BELLY ANTENNAS				
6-21-1	5225973-4	Plug	X	1
2	B161-4	Spirap	X	A/R
3	F850-942	Cable (Ref, RH antenna installation)		
4	MS27039C0806	Screw	X	2
5	G259-1	Panel (Bulkhead; Ref)		
6	MS21919WDG4	Clamp	X	2
7	NAS1149FN816P	Washer	X	9
8	MS21042L08	Nut	X	9
9	D384-2	Cover	X	2
10	NAS557-8A	Grommet	X	2
11	B340-4	Nut	X	2
12	B322-4	Cover	X	1
13	F387-1	Panel (Ref)		
14	CI-177-20	Antenna – FM (450-700 MHz, install using item 15)	X	1
15	B270-1	Sealant	X	A/R
16	MS24694-C7	Screw	X	4
17	MS27039C0805	Screw	X	2
18	F850-1415	Cable (Ref, LH antenna installation)		
19	D210-3	Nut	X	3
20	NAS1149F0332P	Washer	X	3
21	B322-6	Cover	X	1
22	D721-1	Antenna – FM (220-225 MHz, install using item 15)	X	1
23	MS24694-C51	Screw	X	3
24	F850-941	Cable (Ref, LH antenna installation)		
25	F850-942	Cable (Ref, RH antenna installation)		
26	CI-292-3	Antenna – FM (138-174 MHz, install using item 15)	X	1

NOTES

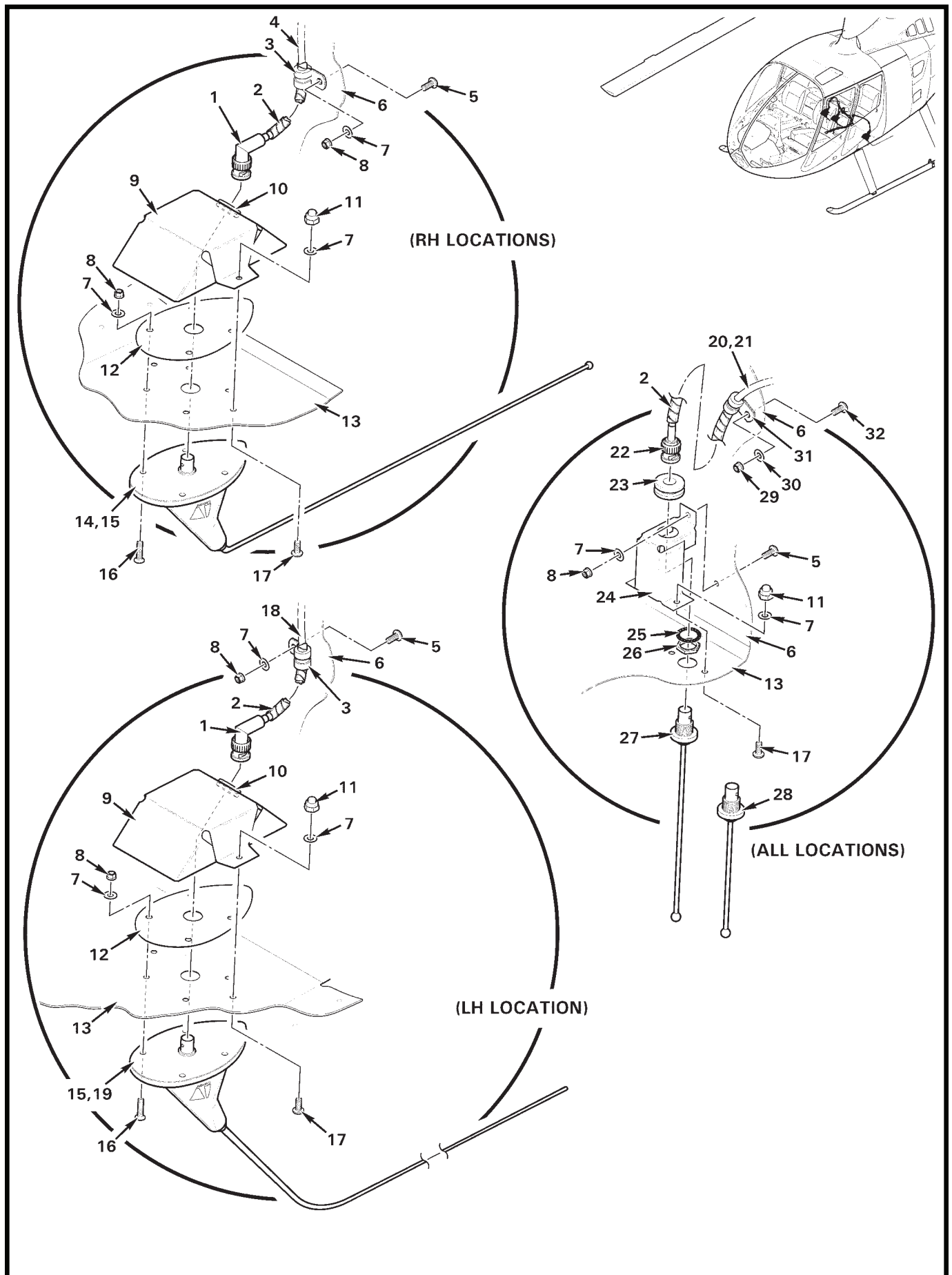


FIGURE AND INDEX NUMBER	PART NUMBER	DESCRIPTION	PARTS AVAIL	QTY PER ASSY
AFT BELLY ANTENNAS				
6-23-1	5225973-4	Plug	X	2
2	B161-4	Spirap	X	A/R
3	MS21919WDG4	Clamp	X	2
4	F850-1219	Cable (Ref, RH antenna installation)		
5	MS27039C0806	Screw	X	3
6	G259-1	Panel (Bulkhead; Ref)		
7	NAS1149FN816P	Washer	X	17
8	MS21042L08	Nut	X	11
9	D384-2	Cover	X	2
10	NAS557-8A	Grommet	X	2
11	B340-4	Nut	X	6
12	B322-4	Cover	X	2
13	F387-1	Panel (Ref)		
14	CI-222	Antenna – AM / FM (LH mount; 88-108 MHz, 550-1600 KHz, install using item 15)	X	1
15	B270-1	Sealant	X	A/R
16	MS24694-C7	Screw	X	8
17	MS27039C0805	Screw	X	6
18	F850-1214	Cable (Ref, LH antenna installation)		
19	CI-122	Antenna – Com (118-37 MHz, install using item 15)	X	1
20	F850-1012	Cable (Ref, LH antenna installation)		
21	F850-942	Cable (Ref, RH antenna installation)		
22	5225395-6	Plug	X	1
23	MS35489-5	Grommet	X	1
24	D563-1	Cover	X	1
25	—	Lockwasher	O	1
26	—	Nut	O	1
27	CI-273	Antenna – FM (403-512 MHz, includes items 25 and 26) . . .	X	1
28	CI-271	Antenna – FM (403-512 MHz, includes items 25 and 26) . . .	X	1
29	MS21042L08*	Nut	X	1
30	NAS1149FN816P*	Washer	X	1
31	MS21919WDG4	Clamp	X	1
32	MS27039C0806*	Screw	X	1

NOTES * On inboard RH location, replace existing screw, use existing nut and washer.

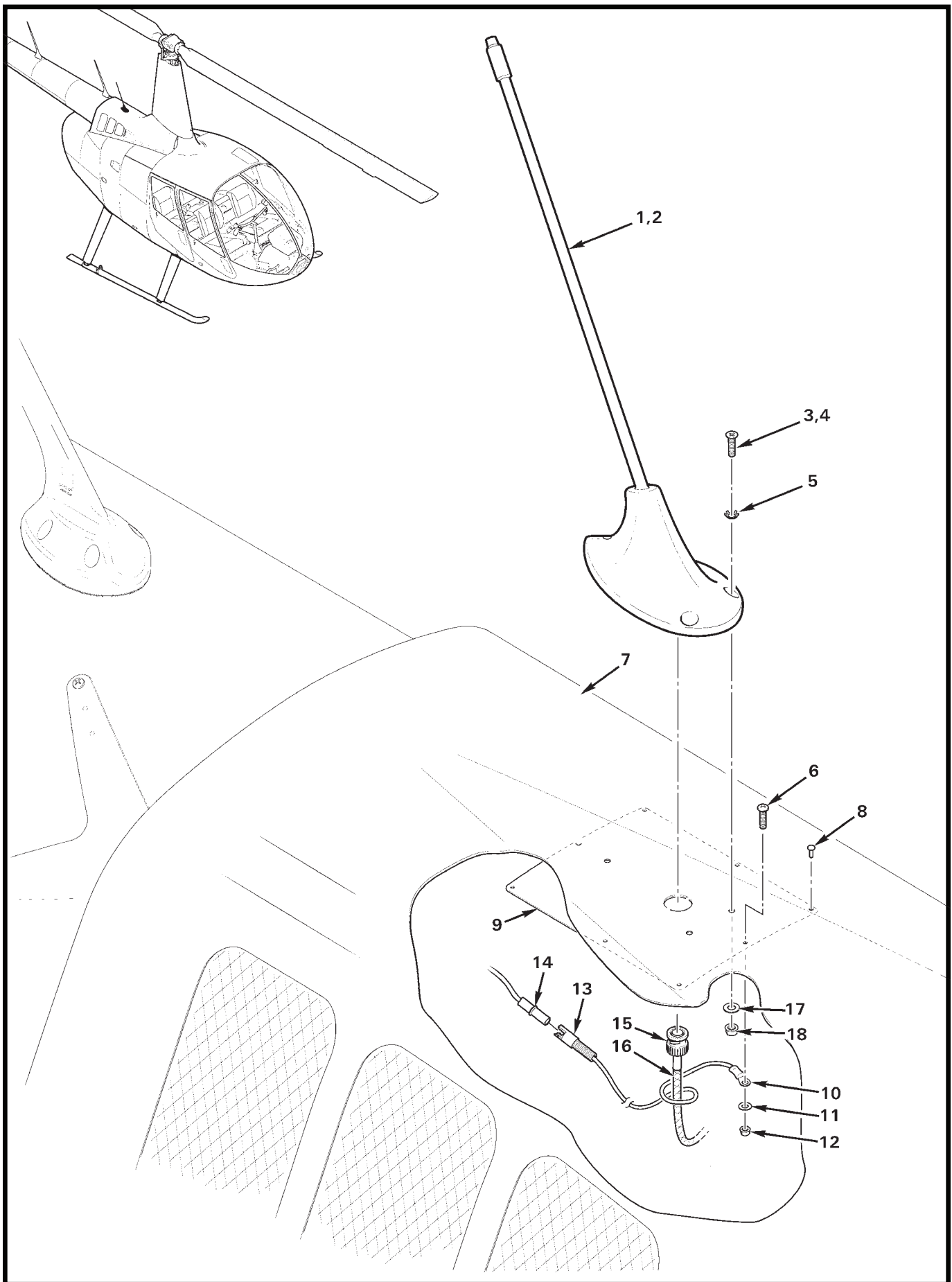


FIGURE AND INDEX NUMBER	PART NUMBER	DESCRIPTION	PARTS AVAIL	QTY PER ASSY
KANNAD ELT ANTENNA INSTALLATION				
6-25-1	AV-300	Antenna (install using item 2 around base)	X	1
2	B270-1	Sealant	X	A/R
3	24-84-5*	Screw (install using item 4)	O	3
4	B270-4	Sealant	X	A/R
5	11-33-2*	Lockwasher (countersunk, included with item 1)	O	3
6	MS27039C0806**	Screw	X	1
7	F706-1	Cowling Assembly (Ref)		
8	MS20470AD3	Rivet	X	7
9	F837-4	Doubler	X	1
10	B260-3**	Terminal	X	1
11	NAS1149FN816P**	Washer	X	1
12	MS21042L08**	Nut	X	1
13	C049-15**	Wire Harness Assembly	X	1
	B263-10	Housing	X	1
	B263-1	Socket	X	1
14	F059-2227**	Wire (Ref)		
	B263-11	Housing	X	1
	B263-2	Pin	X	1
15	5225395-6*	Plug	X	1
16	B274-518	Cable – Coaxial	X	A/R
17	NAS1149F0316P	Washer	X	3
18	D210-3	Nut	X	3

NOTES * Kannad part no.
 ** Earlier Ships.

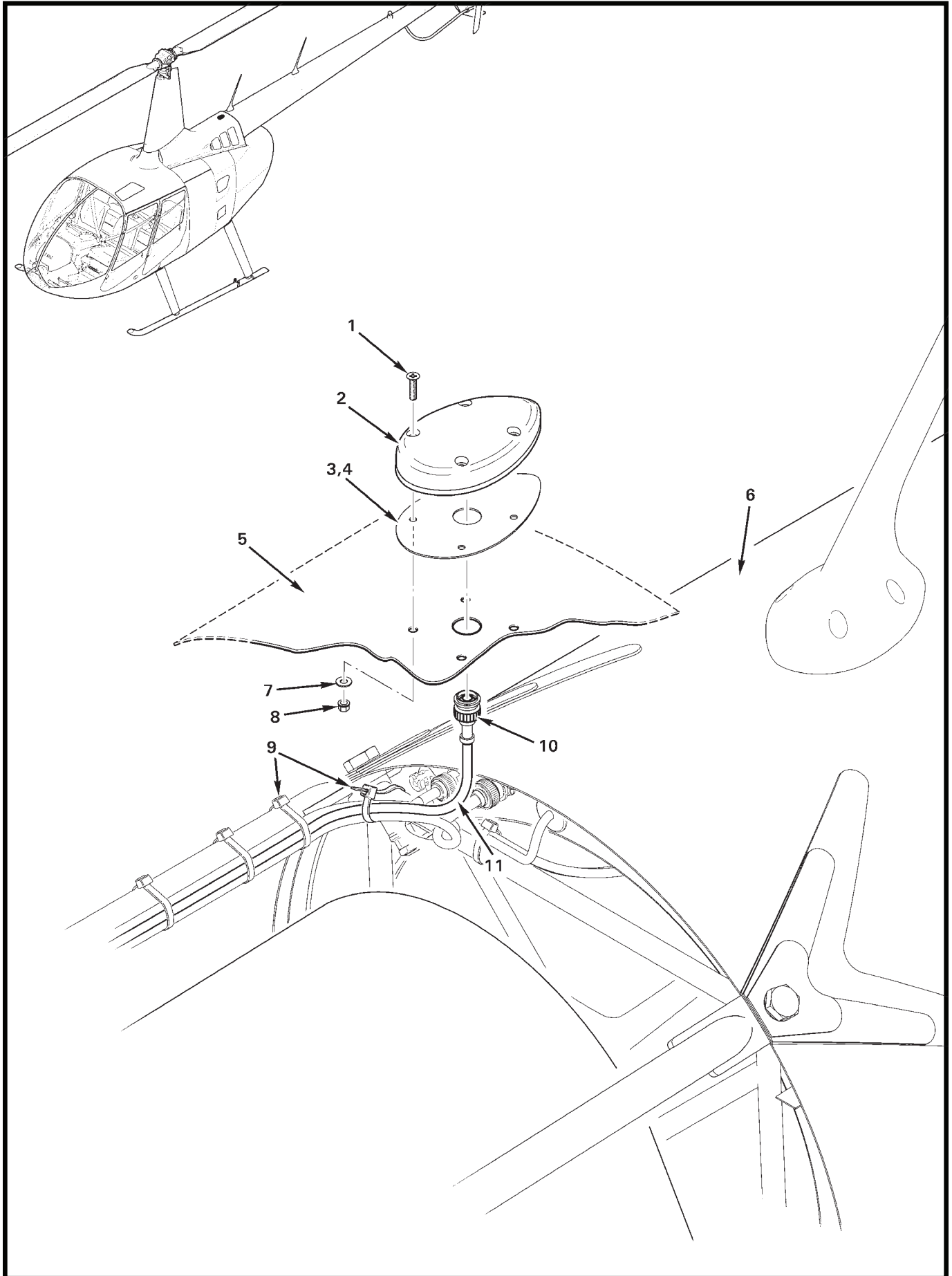


FIGURE AND INDEX NUMBER	PART NUMBER	DESCRIPTION	PARTS AVAIL	QTY PER ASSY
GPS ANTENNA INSTALLATION (COWL MOUNT)				
6-27-1	MS24694-C7	Screw	X	4
2	013-00235-00	Antenna – GPS (GA 35)	O	1
3	—	Gasket (rubber; install using item 4)	O	1
4	B270-1	Sealant	X	A/R
5	F706-1	Cowling – Tailcone (Ref)		
6	C023	Tailcone Assembly (Ref)		
7	NAS1149FN832P	Washer	X	4
8	MS21042L08	Nut	X	4
9	MS3367-4-9	Ty-Rap (or MS3367-5-9)	X	A/R
10	5225555-6	Plug	X	1
11	F850-468	Cable (Ref)		
NOTES				

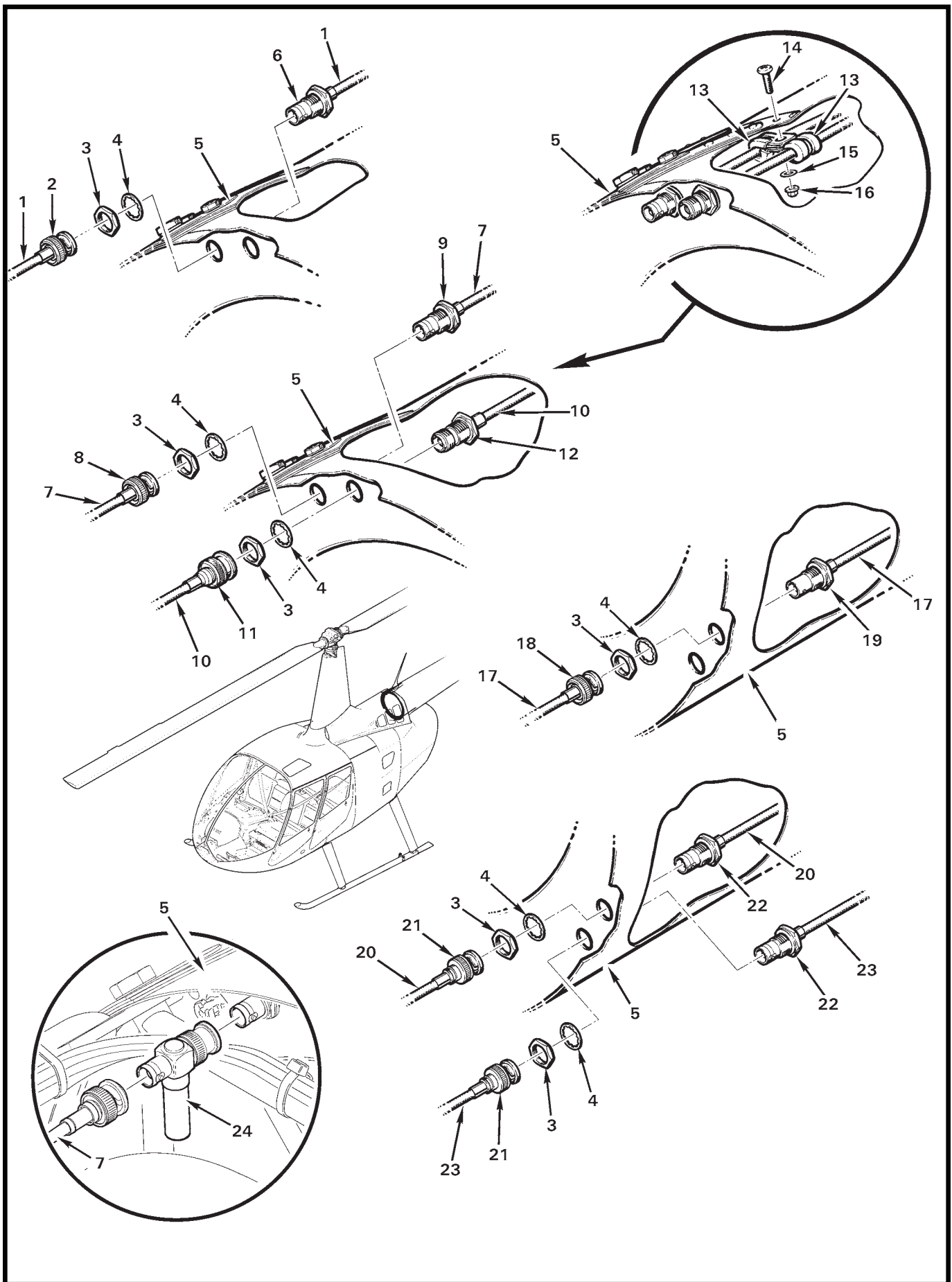


FIGURE AND INDEX NUMBER	PART NUMBER	DESCRIPTION	PARTS AVAIL	QTY PER ASSY
TAILCONE ANTENNA CONNECTORS				
6-29-1	F850-1317	Cable – Coaxial (FM)	X	A/R
2	5225395-6	Plug (FM or Com)	X	1
3	—	Nut	O	1
4	—	Washer	O	1
5	C023	Tailcone (Ref)		
6	5225398-6*	Bulkhead Jack (FM or Com)	X	1
7	F850-212	Cable – Coaxial (Com or GPS/Com)	X	A/R
8	5225395-6	Plug (Com)	X	1
9	5225398-6*	Bulkhead Jack (Com)	X	1
10	F850-468	Cable – Coaxial (GPS)	X	A/R
11	5225555-6	Plug (GPS)	X	1
12	5225557-6*	Bulkhead Jack (GPS)	X	1
13	MS21919WDG3	Clamp (for use when aft-mount antennas are installed)	X	A/R
14	MS27039C0808	Screw	X	1
15	NAS1149FN816P	Washer	X	1
16	MS21042L08	Nut	X	1
17	C023-1013	Cable – Coaxial (VHF)	X	A/R
18	5221185-2	Plug (VHF)	X	1
19	5221221-2*	Bulkhead Jack (VHF)	X	1
20	C023-822	Cable – Coaxial (FM, lower aft tailcone installation)	X	A/R
21	5225395-6	Plug (FM)	X	A/R
22	5225398-6*	Bulkhead Jack (FM)	X	A/R
23	C023-821	Cable – Coaxial (FM, lower forward tailcone installation)	X	A/R
24	330-00067-00	Filter (for use when Garmin 400 or 500 series GPS is installed; see Figure 6-31 for alternate installation location)	X	A/R

NOTES * Includes items 3 and 4 as shown.

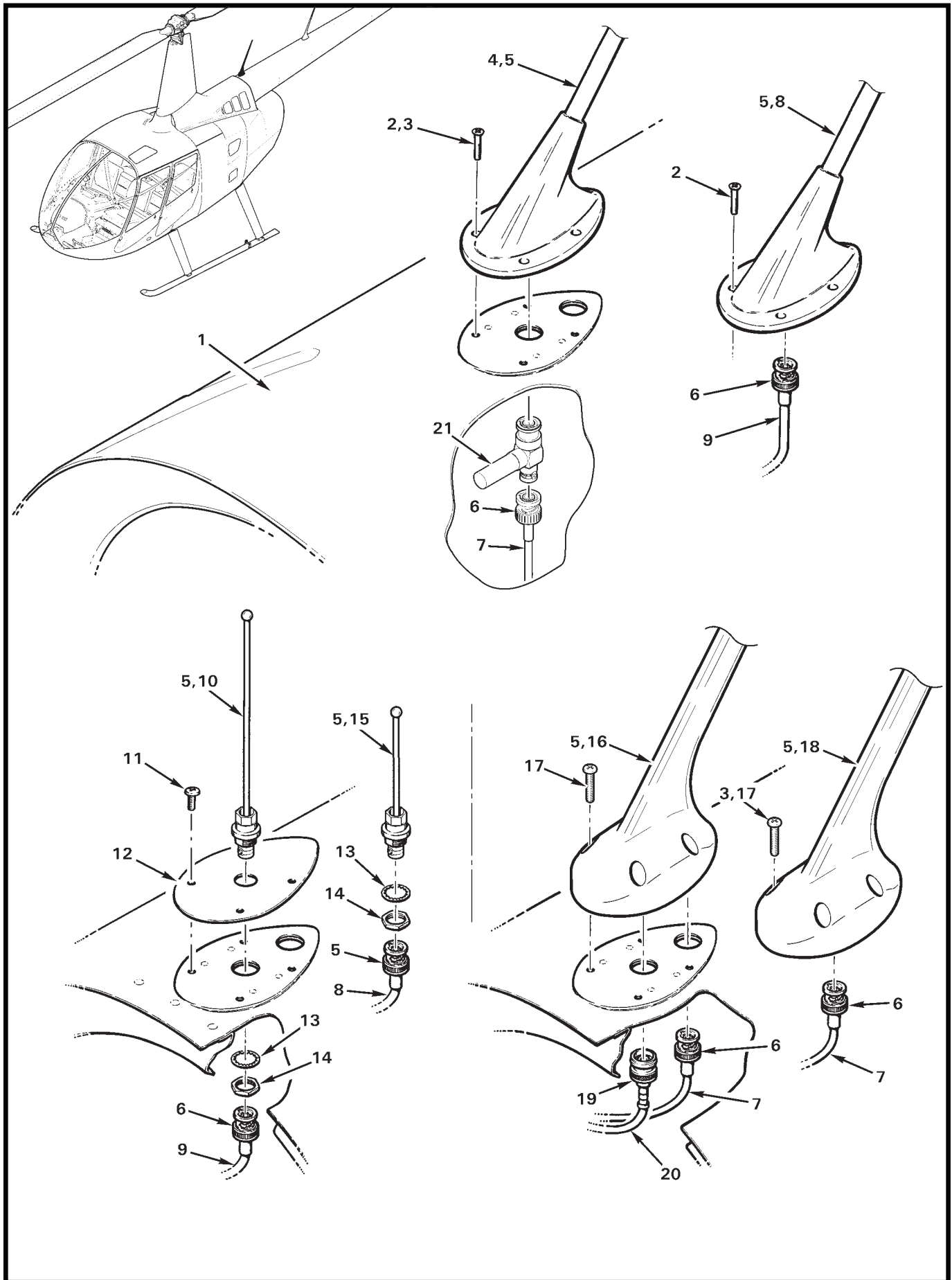


FIGURE AND INDEX NUMBER	PART NUMBER	DESCRIPTION	PARTS AVAIL	QTY PER ASSY
FORWARD UPPER TAILCONE ANTENNAS				
6-31-1	C023	Tailcone Assembly (Ref)		
2	MS24694-C7	Screw	X	4
3	B270-13	Sealant	X	A/R
4	CI-121*	Antenna – Com** (118-156 MHz)	X	1
5	B270-1	Sealant	X	A/R
6	5225395-6	Plug	X	1
7	F850-212	Cable (Ref)		
8	CI-177*	Antenna – FM (148-174 MHz)	X	1
	CI-177-1*	Antenna – FM (138-174 MHz)	X	1
	CI-177-20*	Antenna – FM (450-470 MHz)	X	1
9	F850-1213	Cable (Ref)		
10	CI-271*	Antenna – FM (400-430 MHz; includes items 13 and 14)	X	1
	CI-272-1*	Antenna – FM (336-390 MHz; includes items 13 and 14)	X	1
	CI-273*	Antenna – FM (403-512 MHz; includes items 13 and 14)	X	1
11	MS27039C0807	Screw	X	4
12	B322-4	Cover	X	1
13	—	Washer	O	1
14	—	Nut	O	1
15	CI-306*	Antenna – FM (800-870 MHz; includes items 13 and 14)	X	1
16	CI-2580-200*	Antenna – Com/GPS (Com 118-137 MHz, GPS 1575.42 ± 3 MHz. Do not use silicone based sealants with GPS antennas.)	X	1
17	MS27039C0815	Screw (for antennas with counter-bored holes)	X	4
	MS24694-C11	Screw (for antennas with counter-sunk holes)	X	4
18	CI-248-5*	Antenna – VHF** (118-137 MHz)	X	1
19	5225555-6	Plug	X	1
20	F850-468	Cable (Ref)		
21	330-00067-00	Filter (for use when Garmin 400 or 500 series GPS is installed; see Figure 6-29 for alternate installation location) . .	X	A/R

NOTES * Comant Industries part no. Seal antenna to tailcone using item 5.
 ** Seal around screw heads and fill fastener holes using item 3.

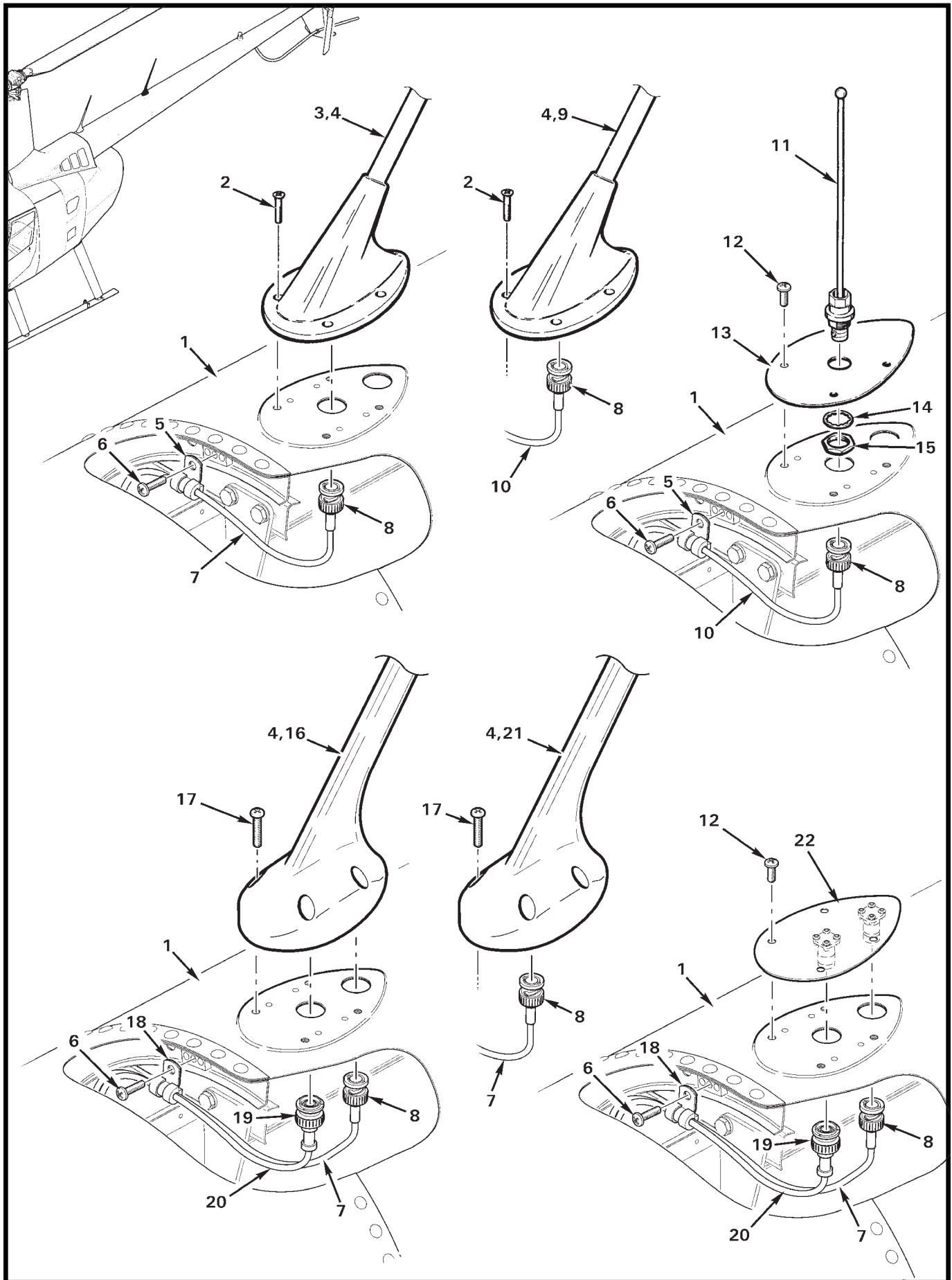


FIGURE AND INDEX NUMBER	PART NUMBER	DESCRIPTION	PARTS AVAIL	QTY PER ASSY
AFT UPPER TAILCONE ANTENNAS				
6-33-1	C023	Tailcone Assembly (Ref)		
2	MS24694-C7	Screw	X	4
3	CI-121*	Antenna – VHF (118-136 MHz)	X	1
4	B270-1	Sealant	X	A/R
5	MS21919WDG3	Clamp	X	1
6	MS27039C0810	Screw	X	1
7	F850-212	Cable (Ref)		
8	5225395-6	Plug (BNC)	X	1
9	CI-177*	Antenna – FM (148-174 MHz)	X	1
	CI-177-1*	Antenna – FM (138-174 MHz)	X	1
	CI-177-20*	Antenna – FM (450-470 MHz)	X	1
10	F850-1317	Cable (Ref)		
11	CI-271*	Antenna – FM (400-430 MHz; includes items 14 and 15)	X	1
	CI-272-1*	Antenna – FM (336-390 MHz; includes items 14 and 15)	X	1
	CI-273*	Antenna – FM (403-512 MHz; includes items 14 and 15)	X	1
12	MS27039C0807	Screw	X	4
13	B322-4	Cover Assembly	X	1
14	—	Washer	O	X
15	—	Nut	O	X
16	CI-2580-200*	Antenna – Com/GPS (Com 118-137 MHz, GPS 1575.42 ± 3 MHz. Do not use silicone based sealants with GPS antenna.)	X	1
17	MS27039C0815	Screw	X	1
18	MS21919WDG6	Clamp	X	1
19	5225555-6	Plug (TNC)	X	1
20	F850-468	Cable (Ref)		
21	CI-248-5*	Antenna – VHF (118-137 MHz; alternate to item 4)	X	1
22	B322-13	Cover Assembly (for COM/GPS antenna provisions)	X	1

NOTES * Comant Industries part no. Seal antenna to tailcone using item 4.

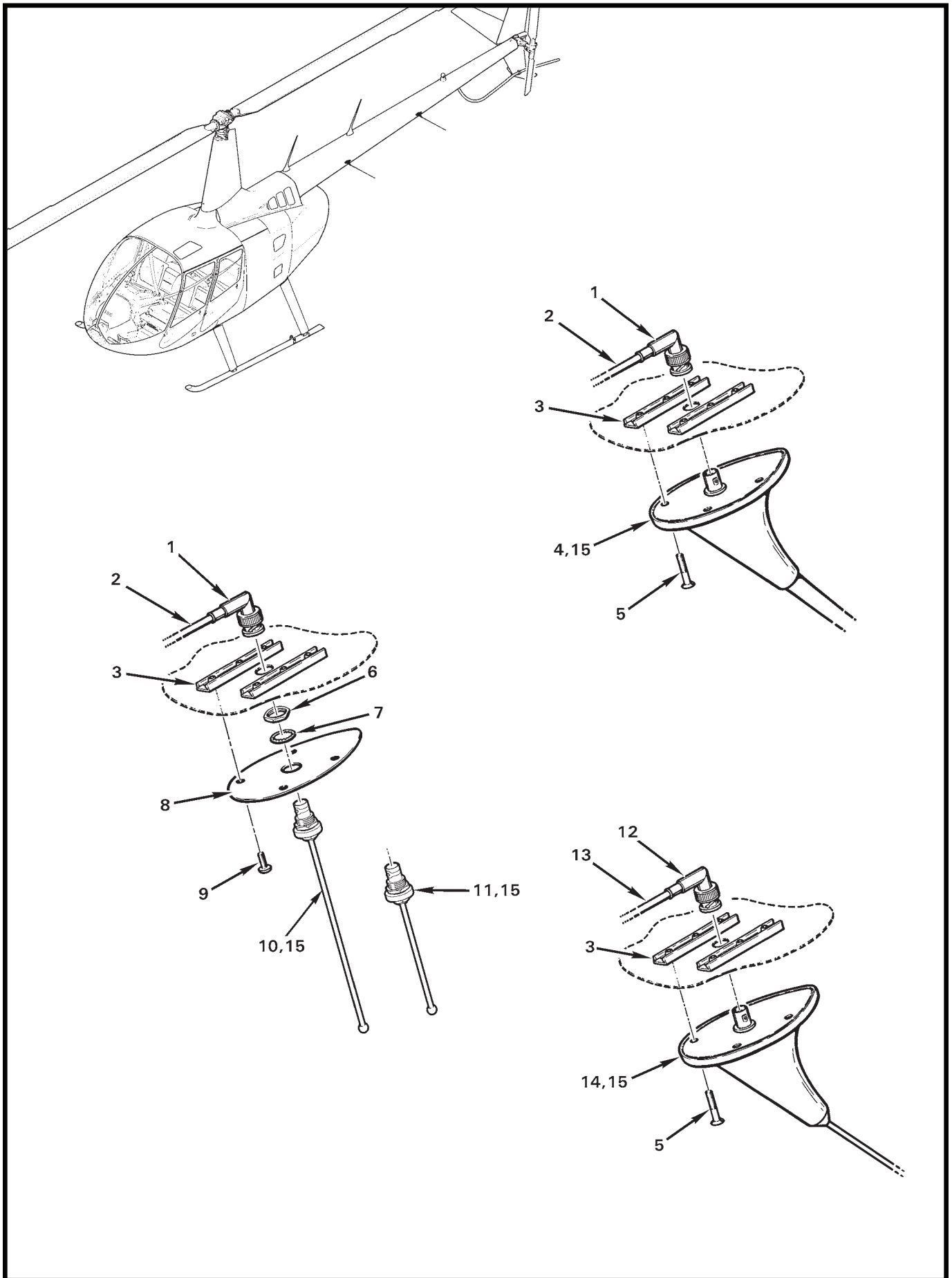


FIGURE AND INDEX NUMBER	PART NUMBER	DESCRIPTION	PARTS AVAIL	QTY PER ASSY
LOWER TAILCONE ANTENNAS				
6-35-1	5225973-4	Plug (90° BNC)	X	1
2	C023-821	Cable (Ref, forward mount)		
	C023-822	Cable (Ref, aft mount)		
3	A738-21	Gang Channel (Ref)		
4	CI-177*	Antenna – FM (148-174 MHz)	X	1
	CI-177-1*	Antenna – FM (138-174 MHz)	X	1
	CI-177-20*	Antenna – FM (450-470 MHz)	X	1
5	MS24694-C7	Screw	X	4
6	—	Nut	O	1
7	—	Washer	O	1
8	B322-4	Cover	X	1
9	MS27039C0807	Screw	X	4
10	CI-271*	Antenna – FM (400-430 MHz, includes items 6 and 7)	X	1
	CI-272-1	Antenna – FM (336-390 MHz, includes items 6 and 7)	X	1
	CI-273*	Antenna – FM (430-470 MHz, includes items 6 and 7)	X	1
11	CI-306*	Antenna – FM (800-870 MHz, includes items 6 and 7)	X	1
12	5221402-2	Plug	X	1
13	C023-1013	Cable (Ref)		
14	CI-122*	Antenna – VHF (118-136 MHz; aft tailcone location only) . . .	X	1
15	B270-1	Sealant	X	A/R

NOTES * Comant Industries part no. Seal antenna to tailcone using item 15.

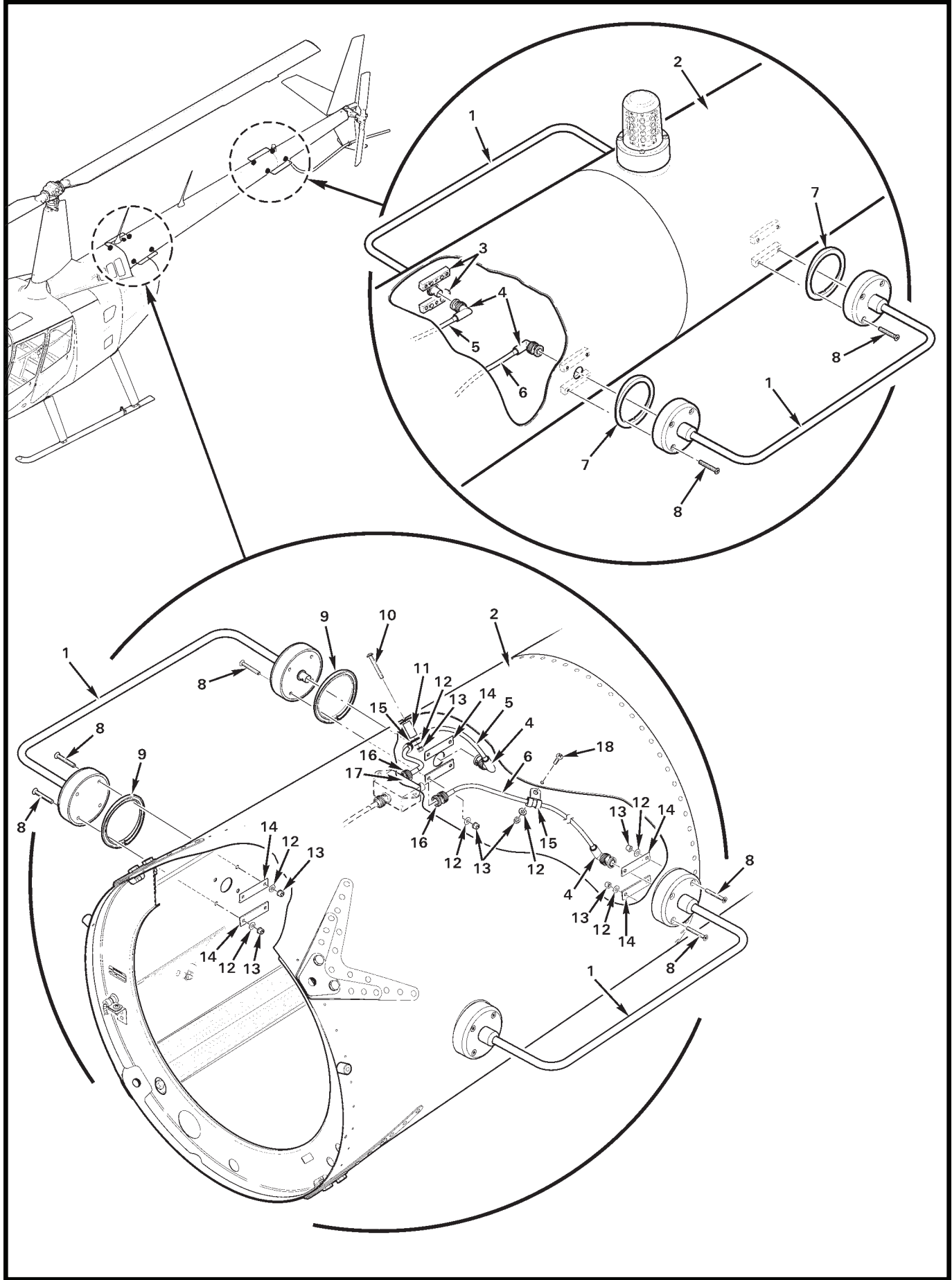


FIGURE AND INDEX NUMBER	PART NUMBER	DESCRIPTION	PARTS AVAIL	QTY PER ASSY
NAV ANTENNA INSTALLATION				
6-37-1	D20543	Antenna – Nav	X	2
2	C023-35	Tailcone Assembly (Ref)		
3	D322-1	Block Assembly (Ref)		
4	225973-4	Plug (90° BNC)	X	2
5	C023-1846	Cable (RH, Ref)		
6	C023-1845	Cable (LH, Ref)		
7	D322-3	Spacer (install with slots down)	X	4
8	MS24694-S16	Screw	X	16
9	D322-7	Spacer (install with slots down)	X	4
10	MS27039C0819	Screw	X	1
11	C130-56	Spacer	X	1
12	NAS1149FN816P	Washer	X	18
13	MS21042L08	Nut	X	18
14	B322-10	Spacer	X	8
15	MS21919WDG3	Clamp	X	2
16	225395-6	Plug	X	2
17	C20556-1	Combiner (Ref, see Figure 6-39)		
18	MS27039C0806	Screw	X	1

NOTES

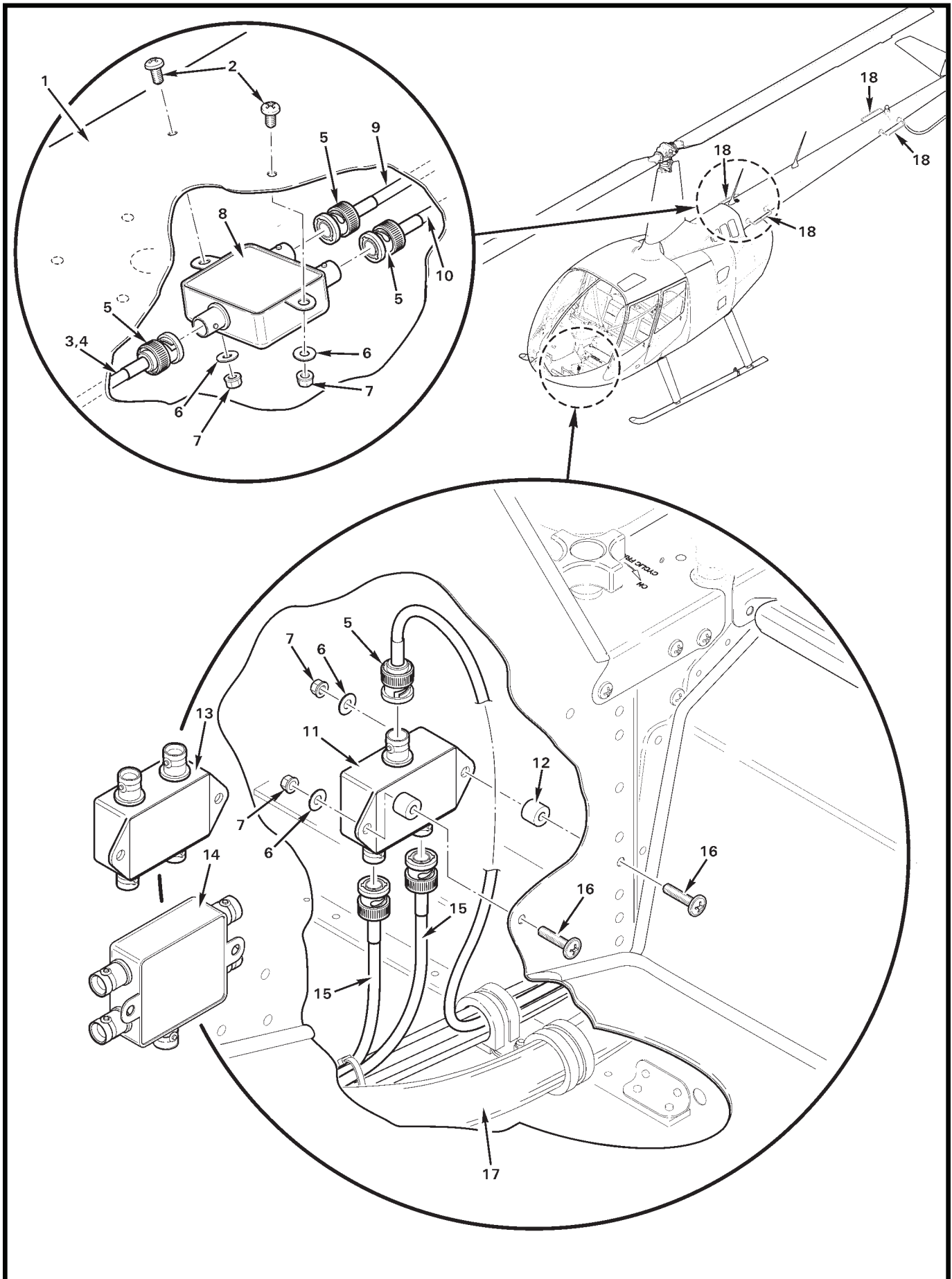


FIGURE AND INDEX NUMBER	PART NUMBER	DESCRIPTION	PARTS AVAIL	QTY PER ASSY
NAV ANTENNA COMBINER / DIPLEXER INSTALLATION				
6-39-1	C023-23	Tailcone Assembly (or C023-34, or -35; Ref)		
2	MS27039C0805	Screw	X	2
3	C850-1844	Cable (Ref; VOR and Localizer installed)		
4	C850-1847	Cable (Ref; VOR and Localizer, with diplexer [item 11] installed)		
5	225395-6	Plug (BNC)	X	A/R
6	NAS1149FN816P	Washer	X	A/R
7	MS21042L08	Nut	X	A/R
8	C20556-1	Combiner	X	1
9	C023-1846	Cable (RH, Ref)		
10	C023-1845	Cable (LH, Ref)		
11	CI-507	Diplexer (single VOR/single Glideslope installed)	X	1
12	A130-33	Spacer	X	2
13	CI-505	Diplexer (dual VOR/single Glideslope installed)	X	1
14	CI-1125	Diplexer (dual VOR/dual Glideslope installed)	X	1
15	—	Cable (to avionics, Ref)		
16	AN525-832R12	Screw	X	2
17	F859	Harness Assembly – Cabin (Ref)		
18	D20543	NAV Antenna (Ref, see Figure 6-37)		

NOTES

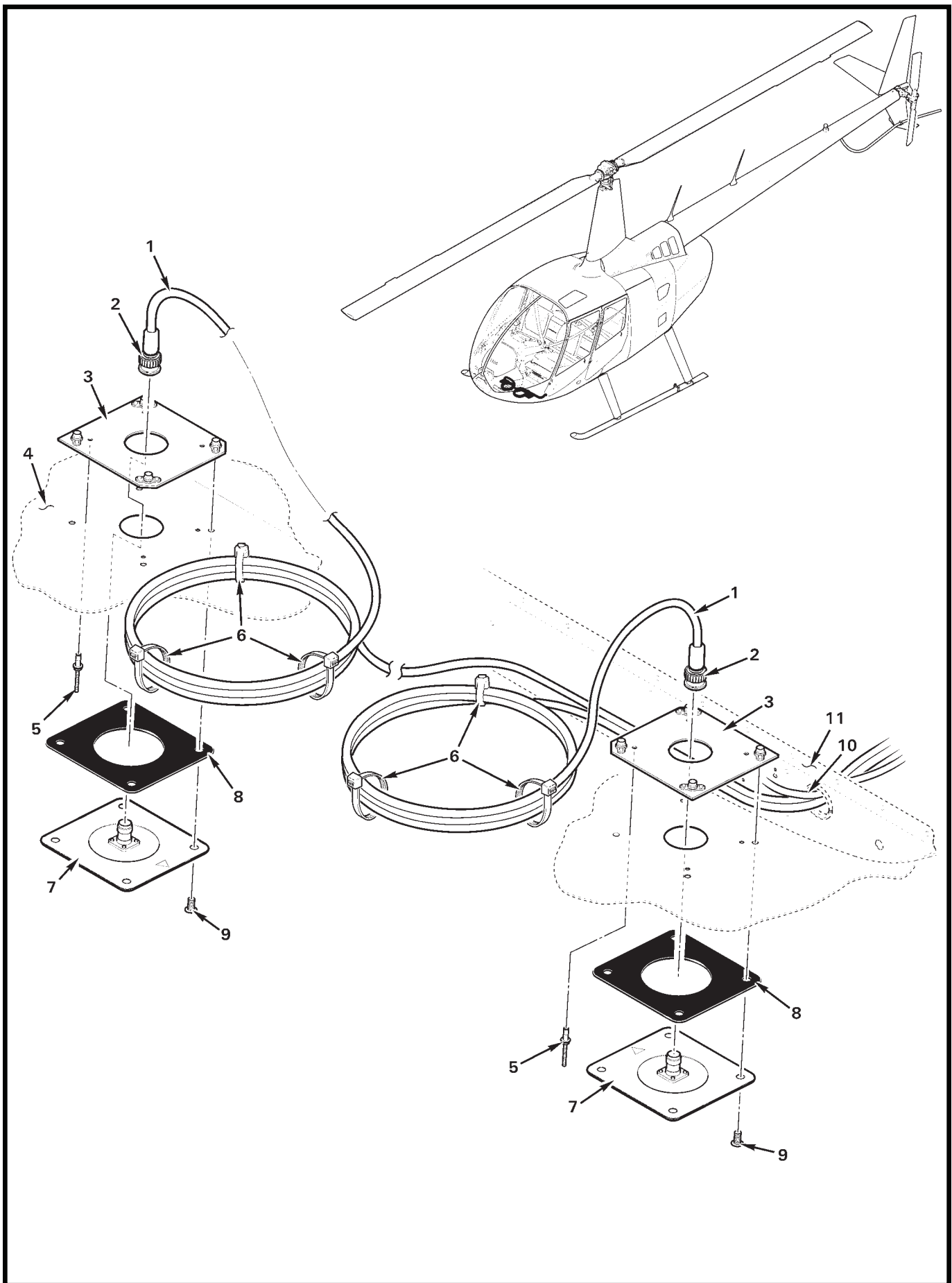


FIGURE AND INDEX NUMBER	PART NUMBER	DESCRIPTION	PARTS AVAIL	QTY PER ASSY
RADAR ALTIMETER ANTENNAS*				
6-41-1	—	Cable (to Radar Altimeter)	O	2
2	O129-0017-00	Connector (TNC)	O	2
3	B420-1	Plate Assembly	X	2
4	F272	Chin (Ref)		
5	NAS9302B-4-02	Rivet (or NAS1921B04S02)	X	8
6	MS3367-5-9	Ty-Rap	X	A/R
7	9-1203-115-00**	Antenna (Incl items 8 and 9)	O	2
8	—	Gasket	O	2
9	—	Screw	O	8
10	—	Cable (Ref; wire -2432 to indicator if installed, -2720 to ARINC display if installed, -2727 to C/B, and -2728 to ground)		
11	G230	Bulkhead (Ref)		

NOTES * See Figures 97-15, 97-17, and 97-19 for additional component installations.
 ** Free Flight Systems part no.

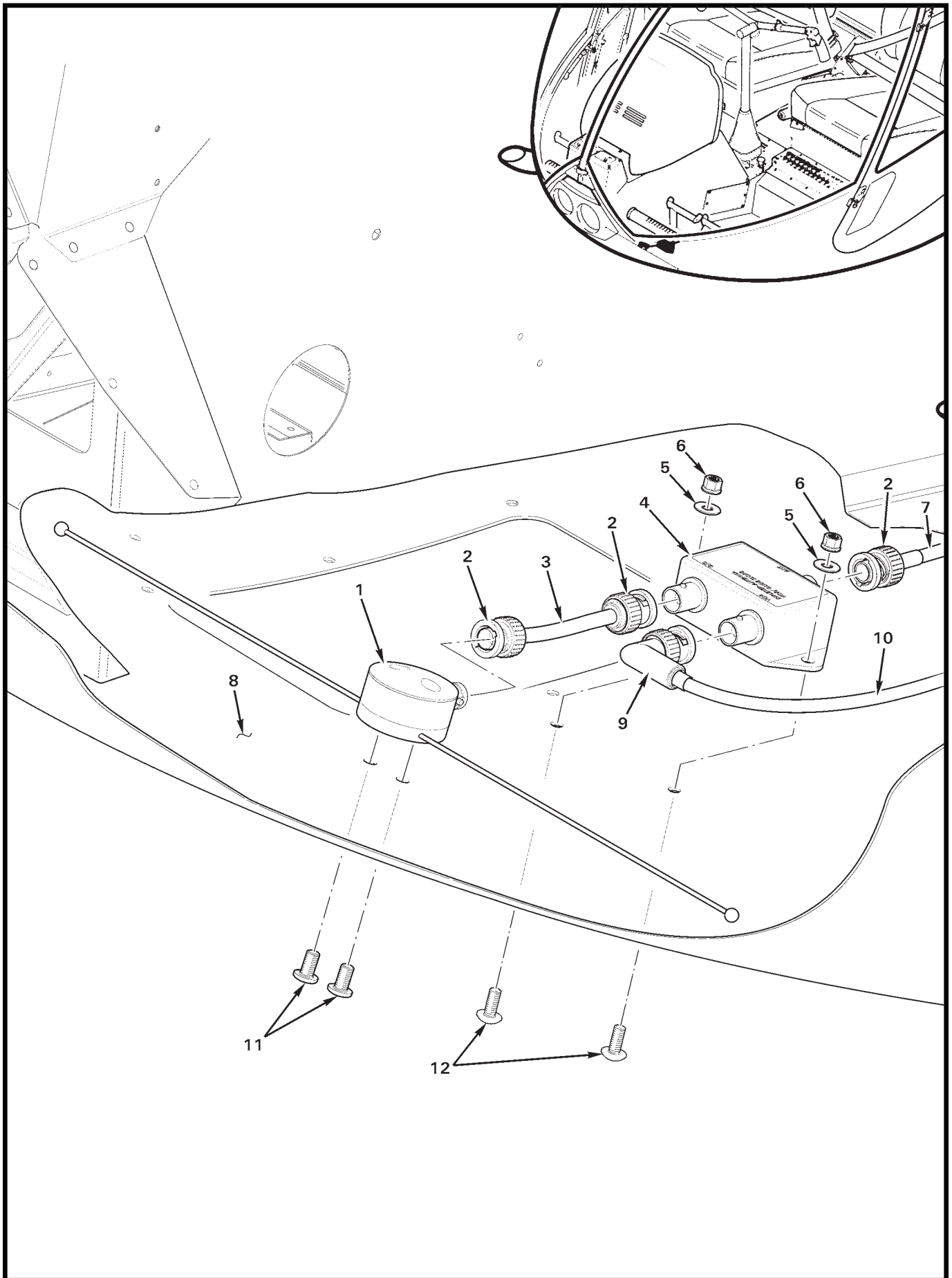


FIGURE AND INDEX NUMBER	PART NUMBER	DESCRIPTION	PARTS AVAIL	QTY PER ASSY
GLIDESLOPE ANTENNA INSTALLATION				
6-43-1	CI 193	Antenna (glideslope)	X	1
2	5225395-6	Plug (BNC)	X	3
3	F850-2730	Cable (Ref)		
4	CI 507	Diplexer	X	1
5	NAS1149FN816P	Washer	X	2
6	MS21042L08	Nut	X	2
7	F850-2731	Cable (Ref)		
8	F272-1	Chin (Ref)		
9	5225973-4	Plug (90° BNC)	X	1
10	F850-1847	Cable (Ref)		
11	A142-4	Screw	X	2
12	B526-6	Screw	X	2
NOTES				

Intentionally Blank