

CHAPTER 14**ELECTRICAL AND AVIONICS SYSTEMS**

<u>Section</u>	<u>Title</u>	<u>Page</u>
14.000	Electrical and Avionics Systems	14.1
14.600	Electrical Systems Schematics	14.12
14.800	Avionics Schematics	14.25
14.900	Upper Console Harness Plugs	14.41
14.1000	IFR Trainer	14.43
14.1010	IFR Trainer Component Loads	14.43
14.1020	IFR Trainer Console Access	14.45
14.1030	IFR Trainer Component Location	14.46
14.1040	IFR Trainer Avionics Schematics	14.47
14.1100	R22 Mariner Avionics Schematics	14.60

Intentionally Blank

CHAPTER 14**ELECTRICAL AND AVIONICS SYSTEMS**14.000 Electrical and Avionics Systems

Electrical System information has been moved to Chapter 33.

Avionics System information has been moved to Chapter 34.

[Pages 14.3 thru 14.11A have been deleted, are no longer effective, and should be discarded.]

Intentionally Blank

Intentionally Blank

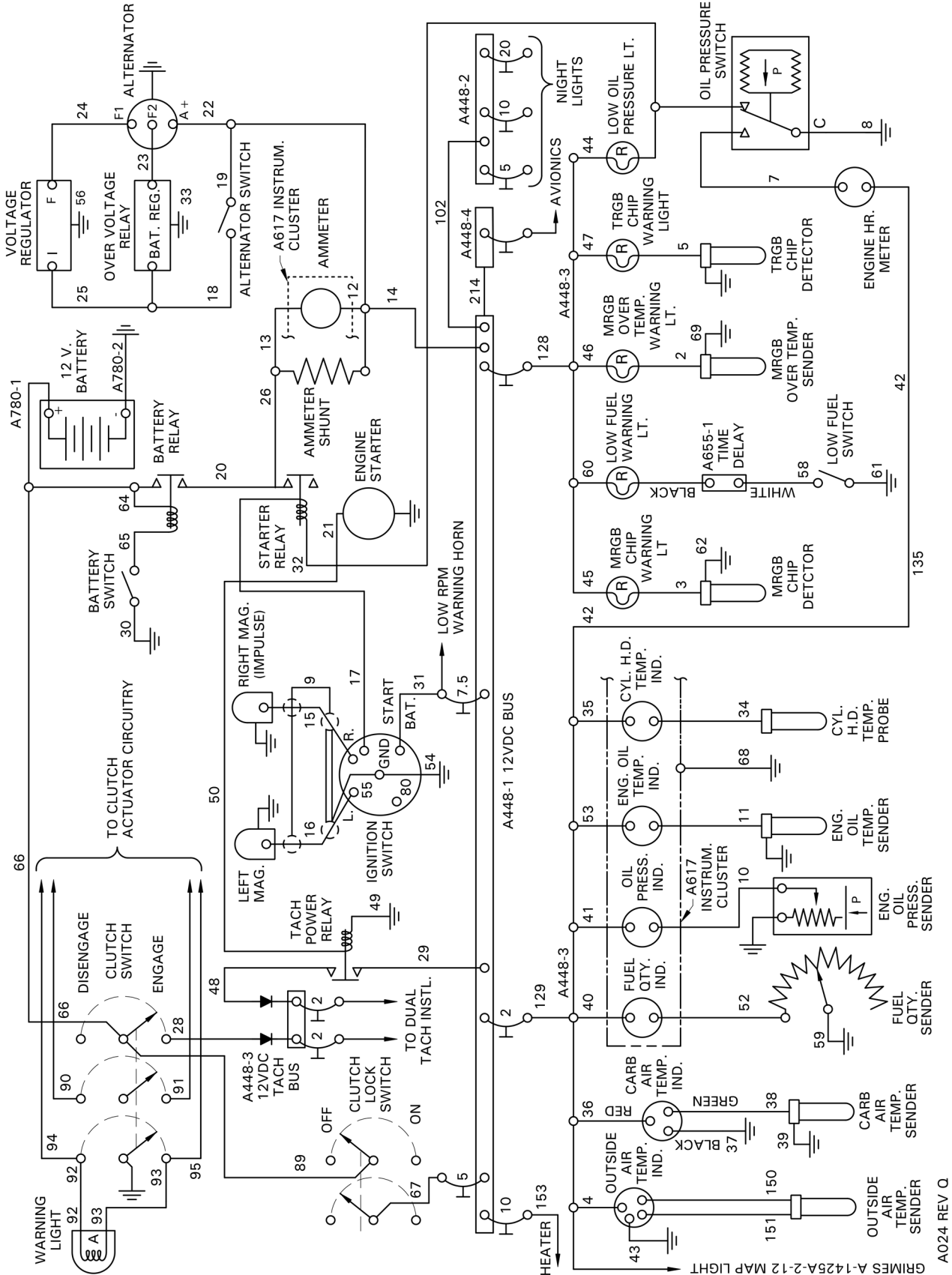
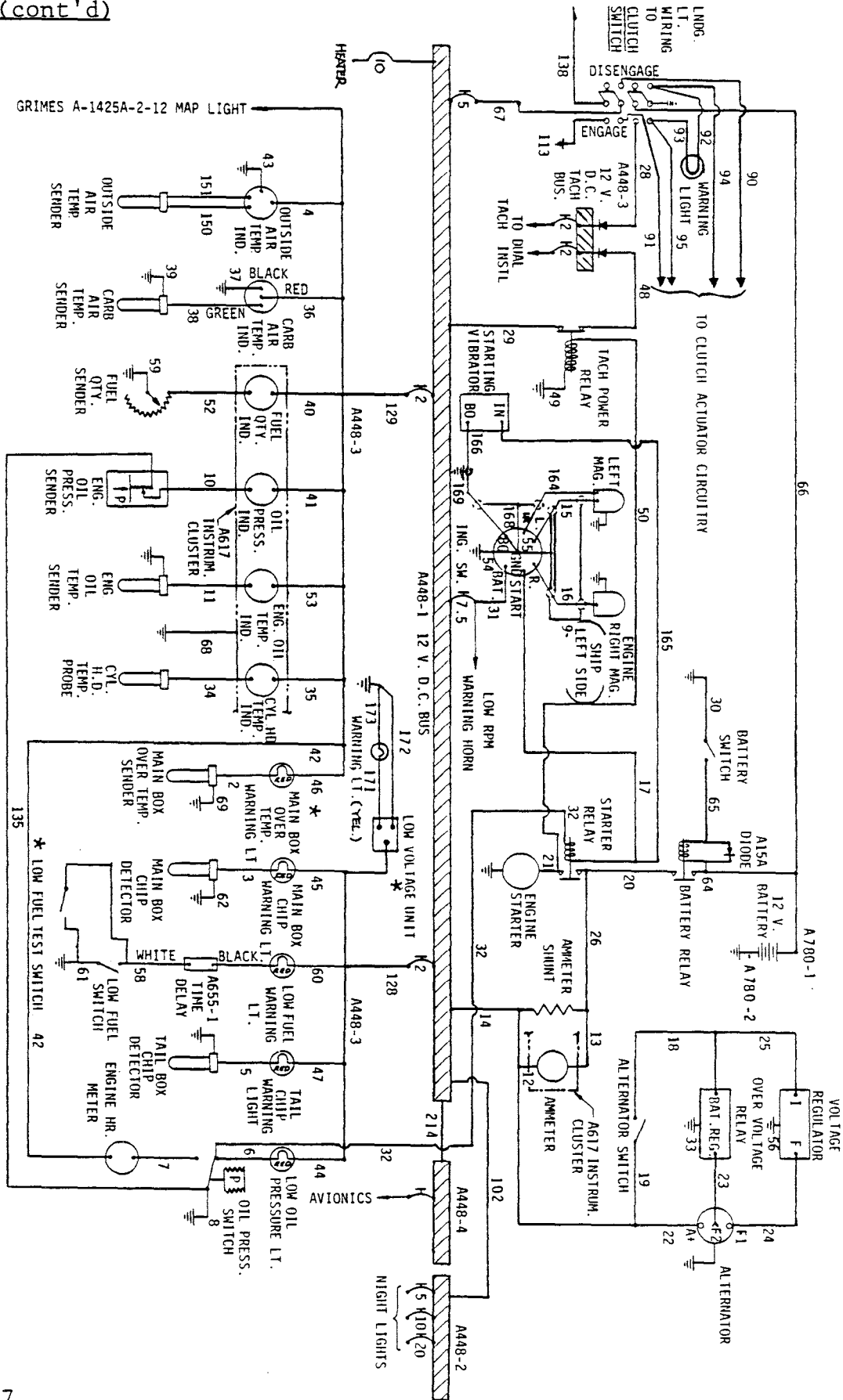


FIGURE 14-1 ELECTRICAL SYSTEM SCHEMATIC (S/N 0001 thru 0077)
 (Impulse coupling ignition; 9/21/79 thru 12/1/80)

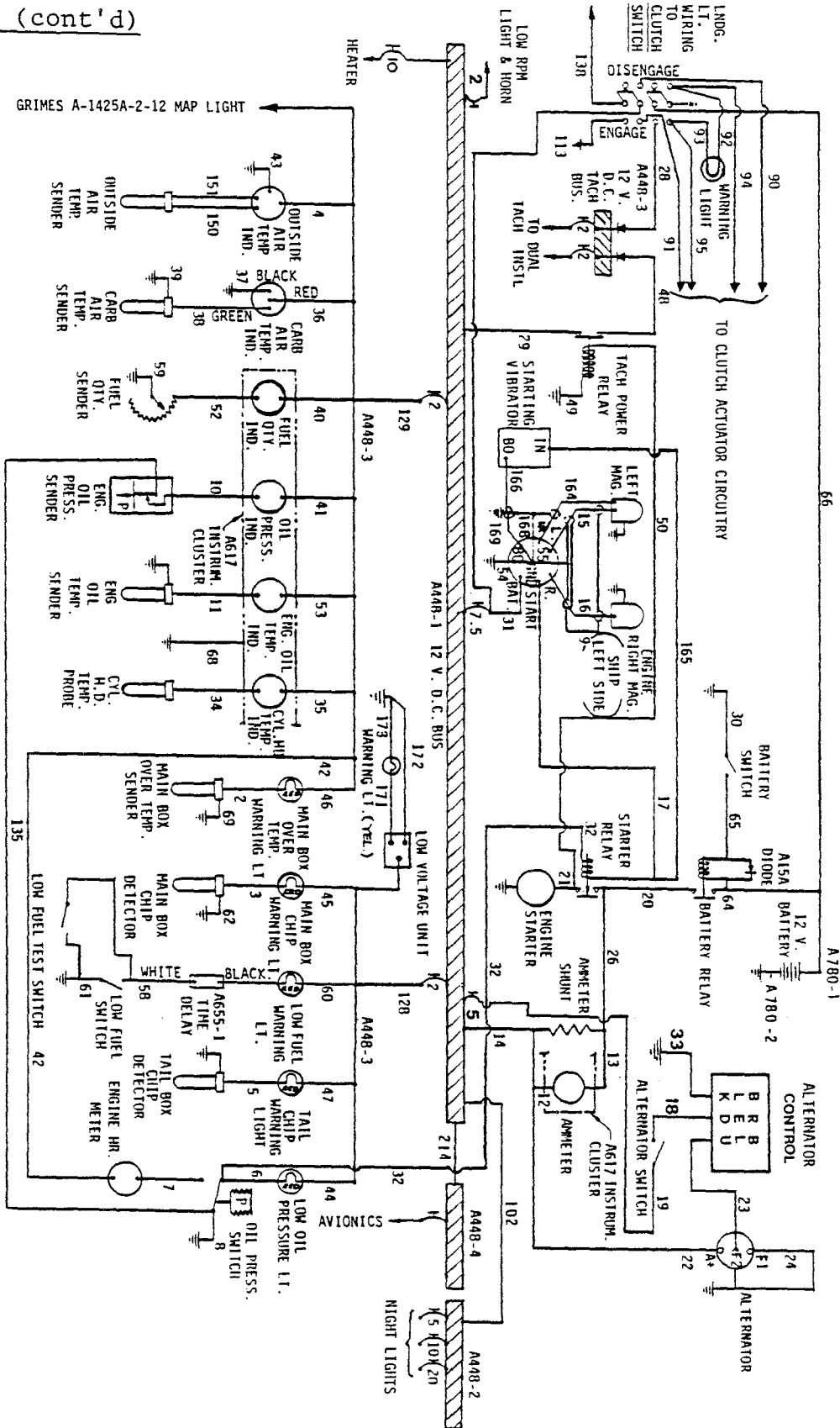
14.600 (cont'd)



ELECTRICAL SYSTEM SCHEMATIC (S/N 078 THRU 324) (12/9/80 THRU 1/10/83)
 (IGNITION VIBRATOR)
 *These changes added to some
 A/C Ser.# in this series
 See Page 14.15 Schematic

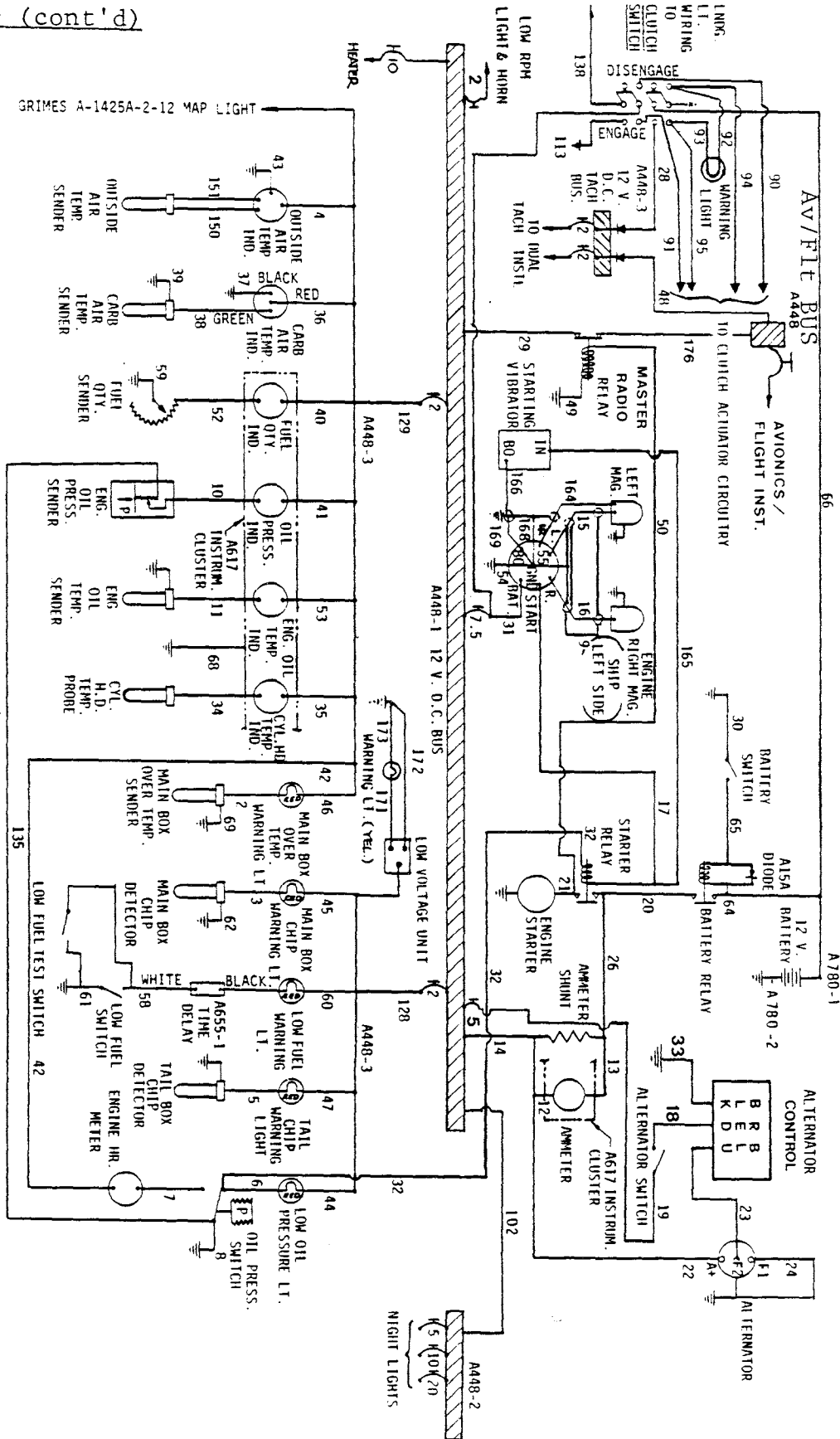
14.600 (cont'd)

ELECTRICAL SYSTEM SCHEMATIC (S/N 324 THRU 363) (1/10/83 THRU 8/23/83)
(IGNITION VIBRATOR)
FIGURE 14-2A

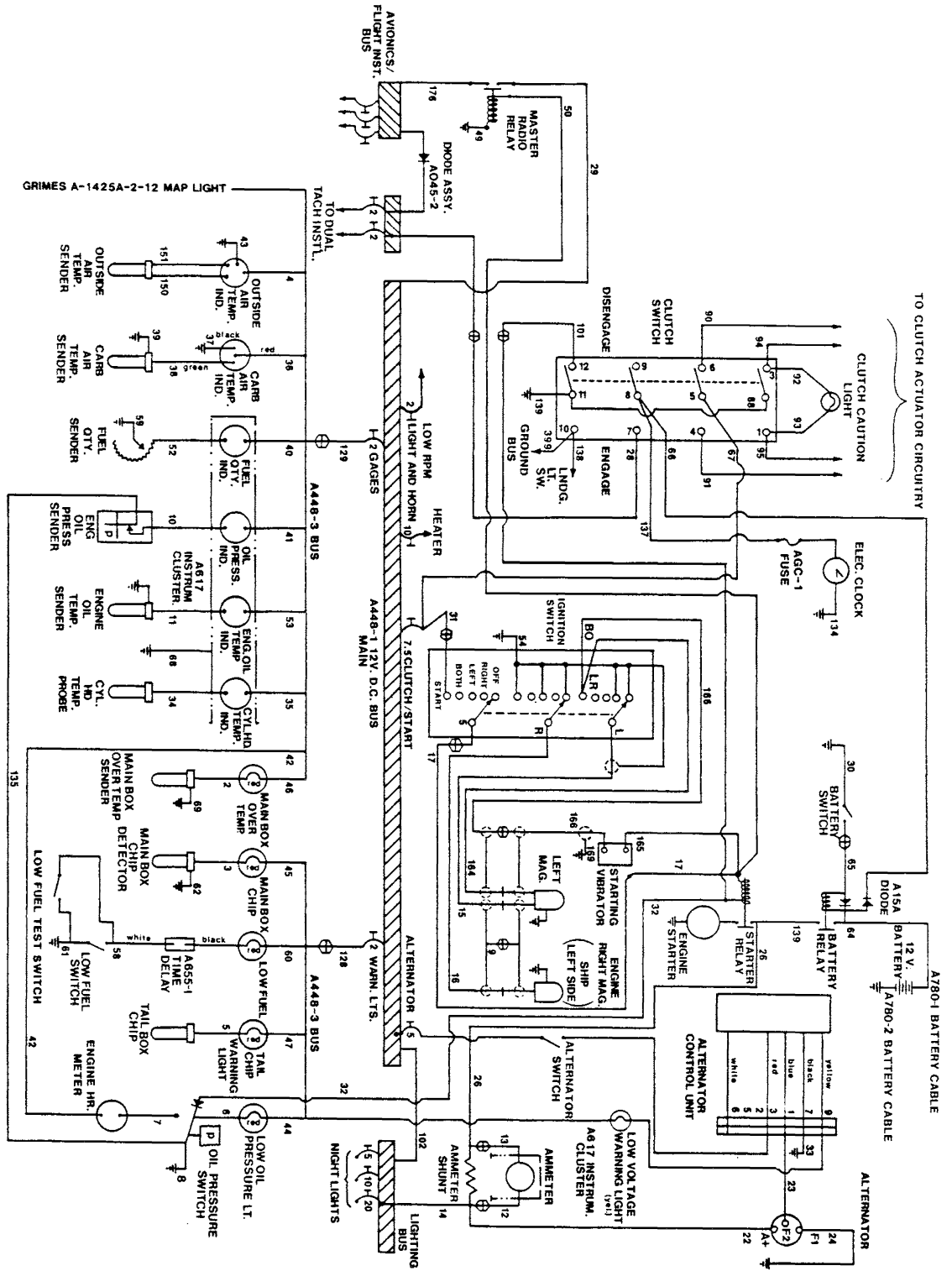


14.600 (cont'd)

ELECTRICAL SYSTEM SCHEMATIC (S/N 350,351,357-361, & 364 THRU 411)
 (IGNITION VIBRATOR)
 R22 ALPHA
 (8/4/83 THRU 5/18/84)
 FIGURE 14-2B



14.600 (cont'd)



ELECTRICAL SYSTEM SCHEMATIC (S/N 412 thru 443)
(IGNITION VIBRATOR) (5/18/84 thru 10/1/84)
FIGURE 14-2C

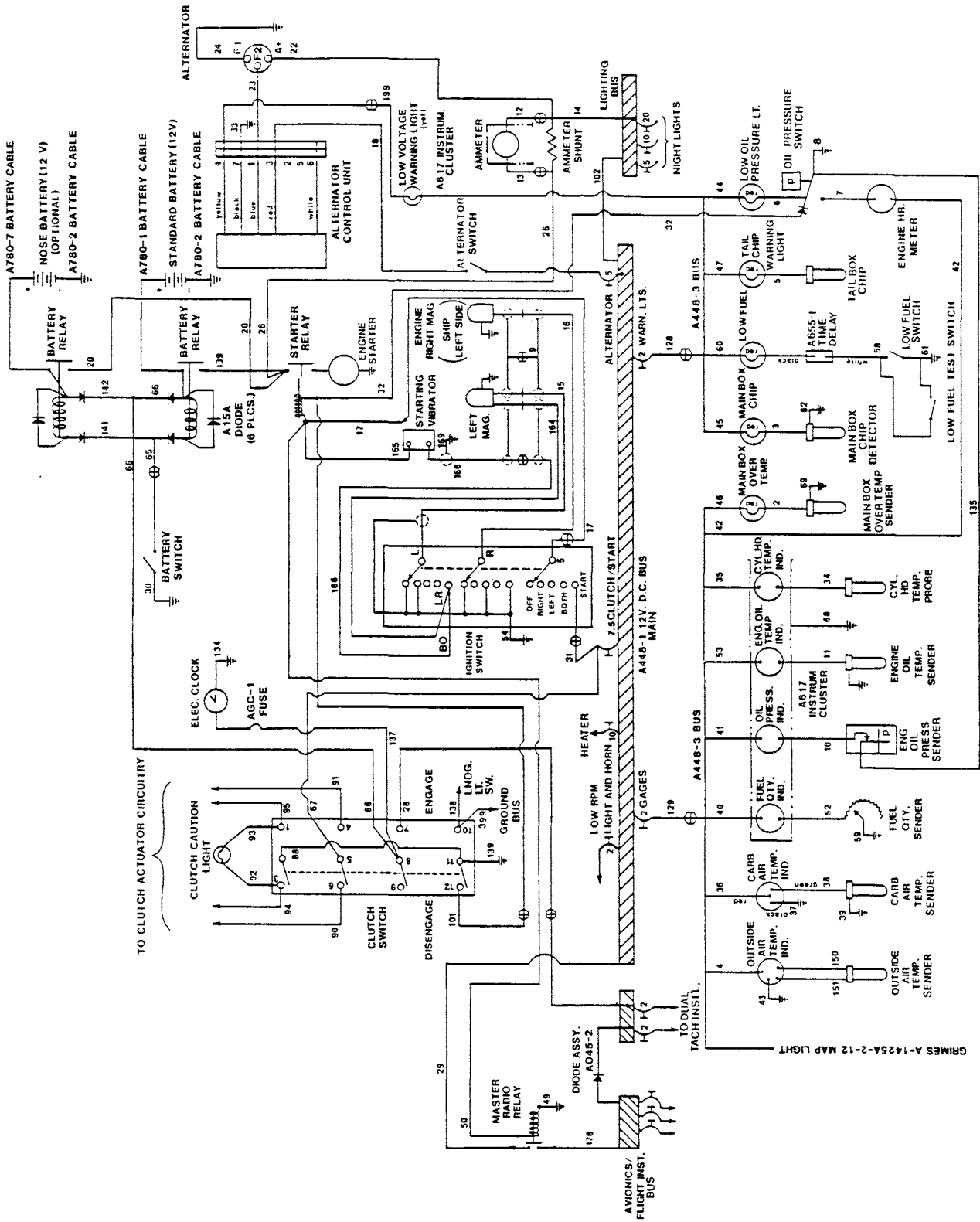


FIGURE 14-2D ELECTRICAL SYSTEM SCHEMATIC - DUAL BATTERY PROVISION (IGNITION VIBRATOR) (5/18/84 thru 10/1/84)

14.600 (cont'd)

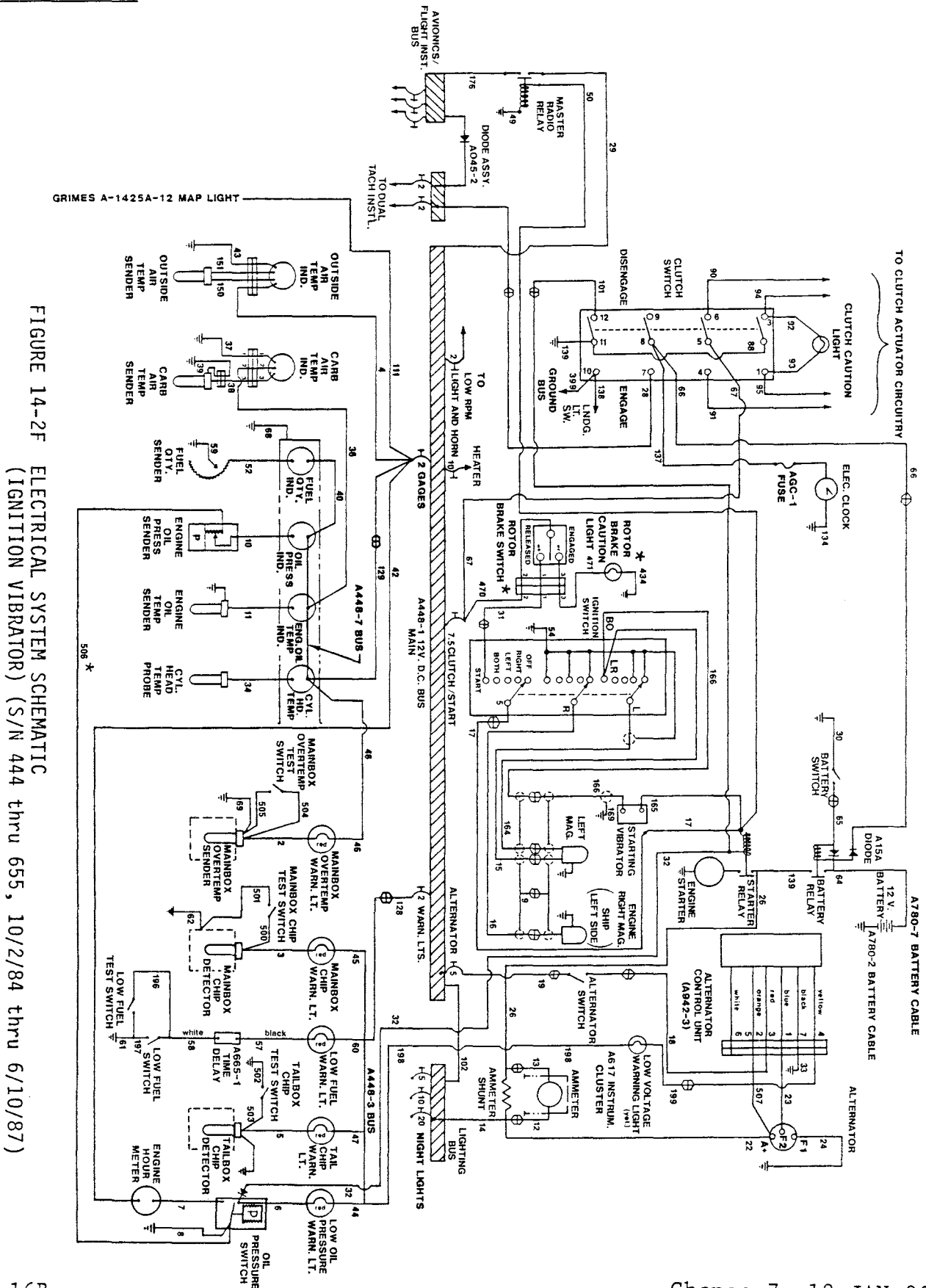


FIGURE 14-2F ELECTRICAL SYSTEM SCHEMATIC (IGNITION VIBRATOR) (S/N 444 thru 655, 10/2/84 thru 6/10/87)

*If installed.

14.600 (cont'd)

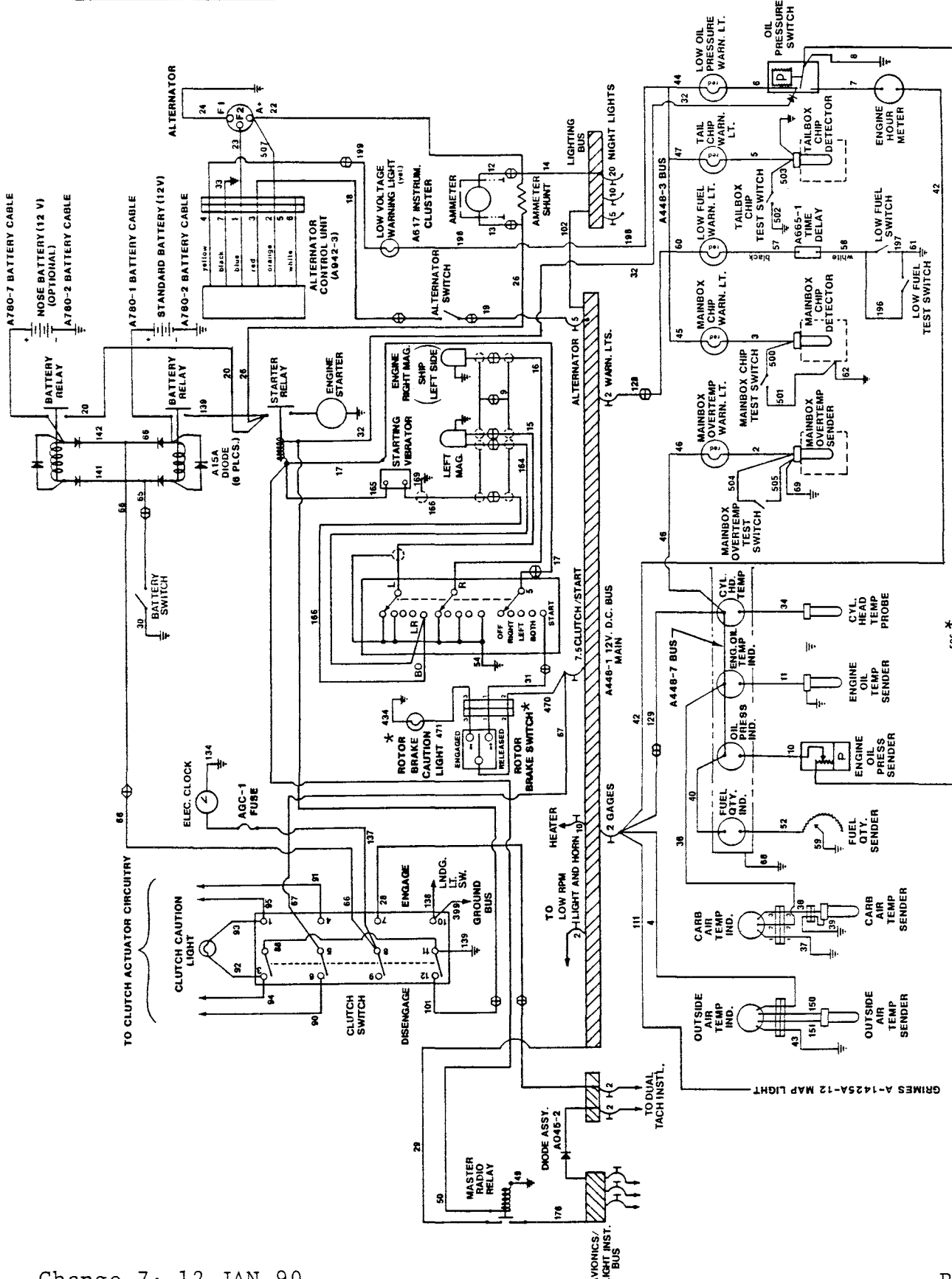


FIGURE 14-2F ELECTRICAL SYSTEM SCHEMATIC - DUAL BATTERY PROVISION (IGNITION VIBRATOR) (S/N 444 thru 655, 10/2/84 thru 6/10/87)

*If installed.

14.600 (cont'd)

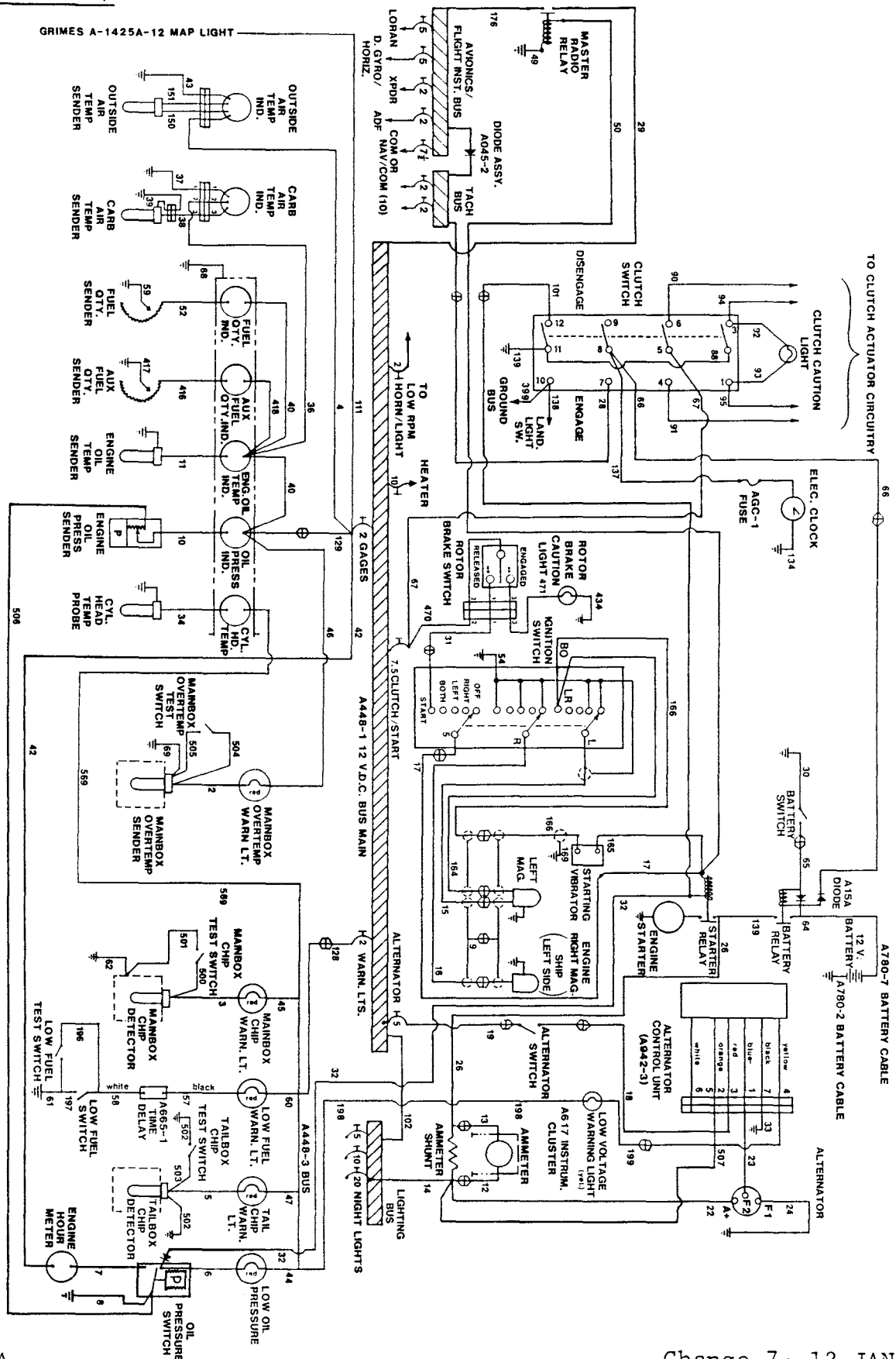


FIGURE 14-2G ELECTRICAL SYSTEM SCHEMATIC (IGNITION VIBRATOR) (S/N 656 THRU 1084 EXCEPT S/Ns 1052, 1056, 1067, & 1071 AND OVERHAULED SHIPS 6/10/87 AND ON)

14.600 (cont'd)

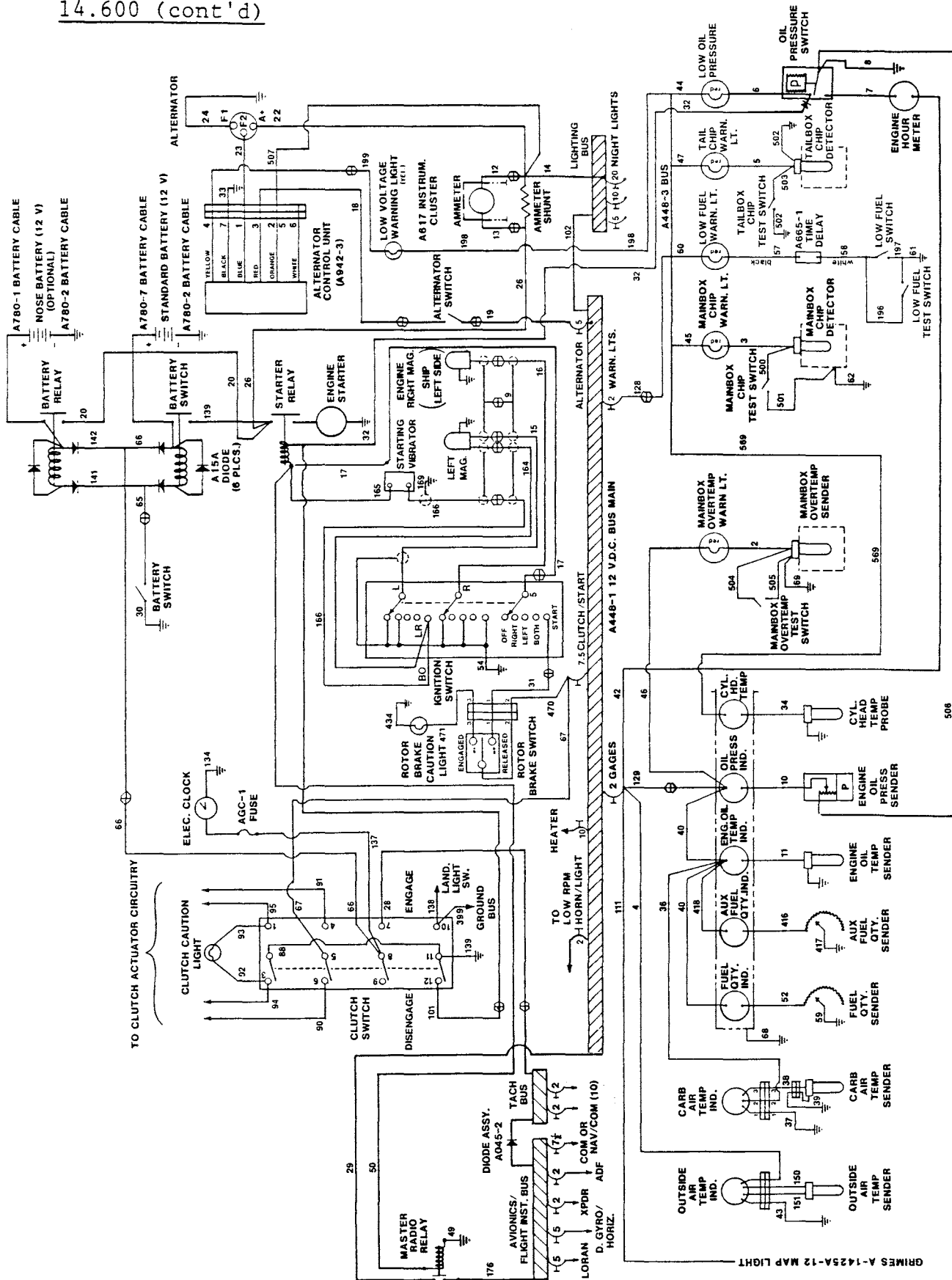


FIGURE 14-2H ELECTRICAL SYSTEM SCHEMATIC - DUAL BATTERY PROVISION (IGNITION VIBRATOR) (S/N 656 THRU 1084 EXCEPT S/Ns 1052, 1056, 1067, & 1071 AND OVERHAULED SHIPS 6/10/87 AND ON)

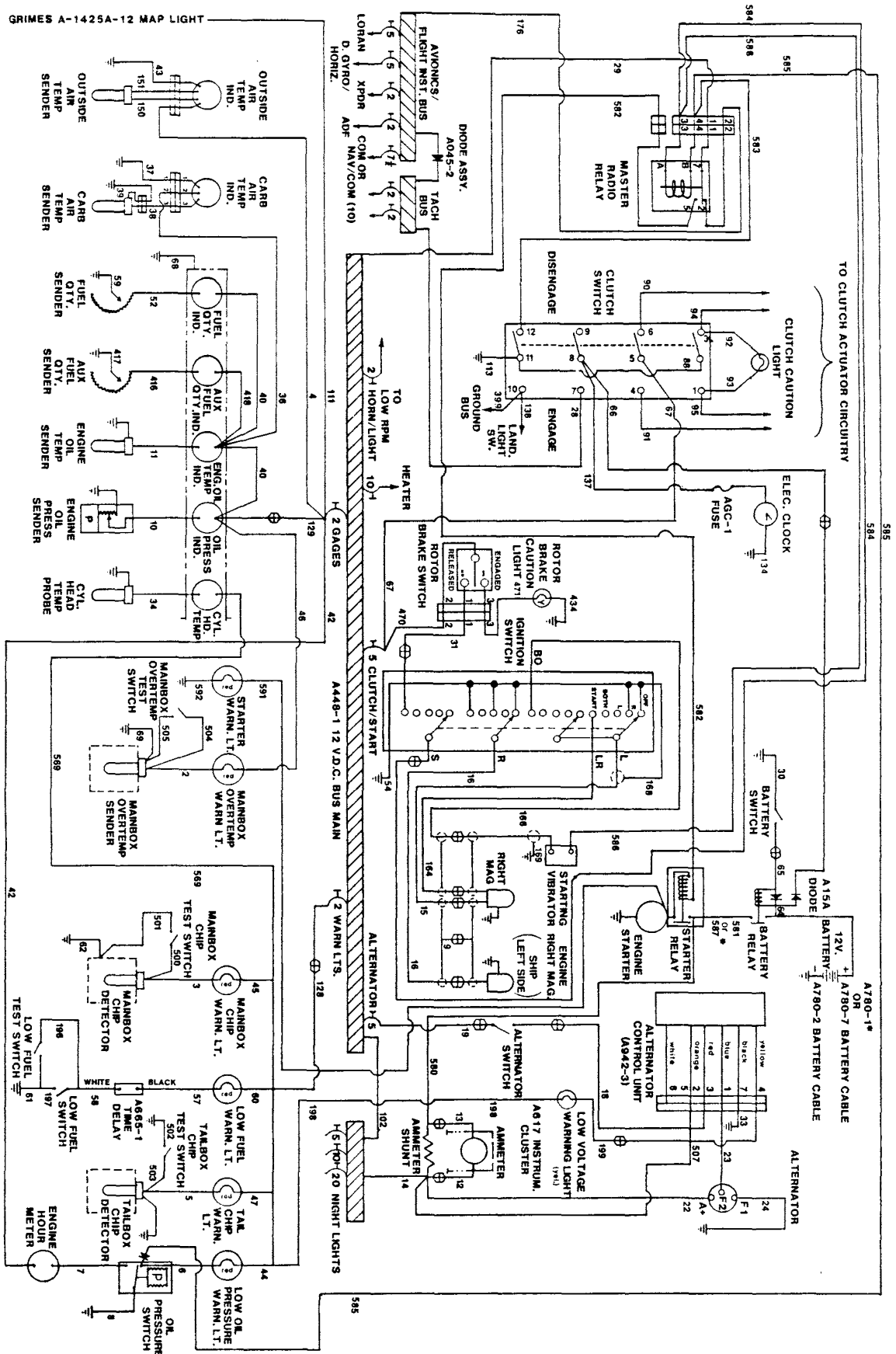


FIGURE 14-21 ELECTRICAL SYSTEM SCHEMATIC (IGNITION VIBRATOR) (S/N 1052, 1056, 1067, 1071, & 1085 AND ON.

*A780-1 and #587 wire used with nose battery installation.

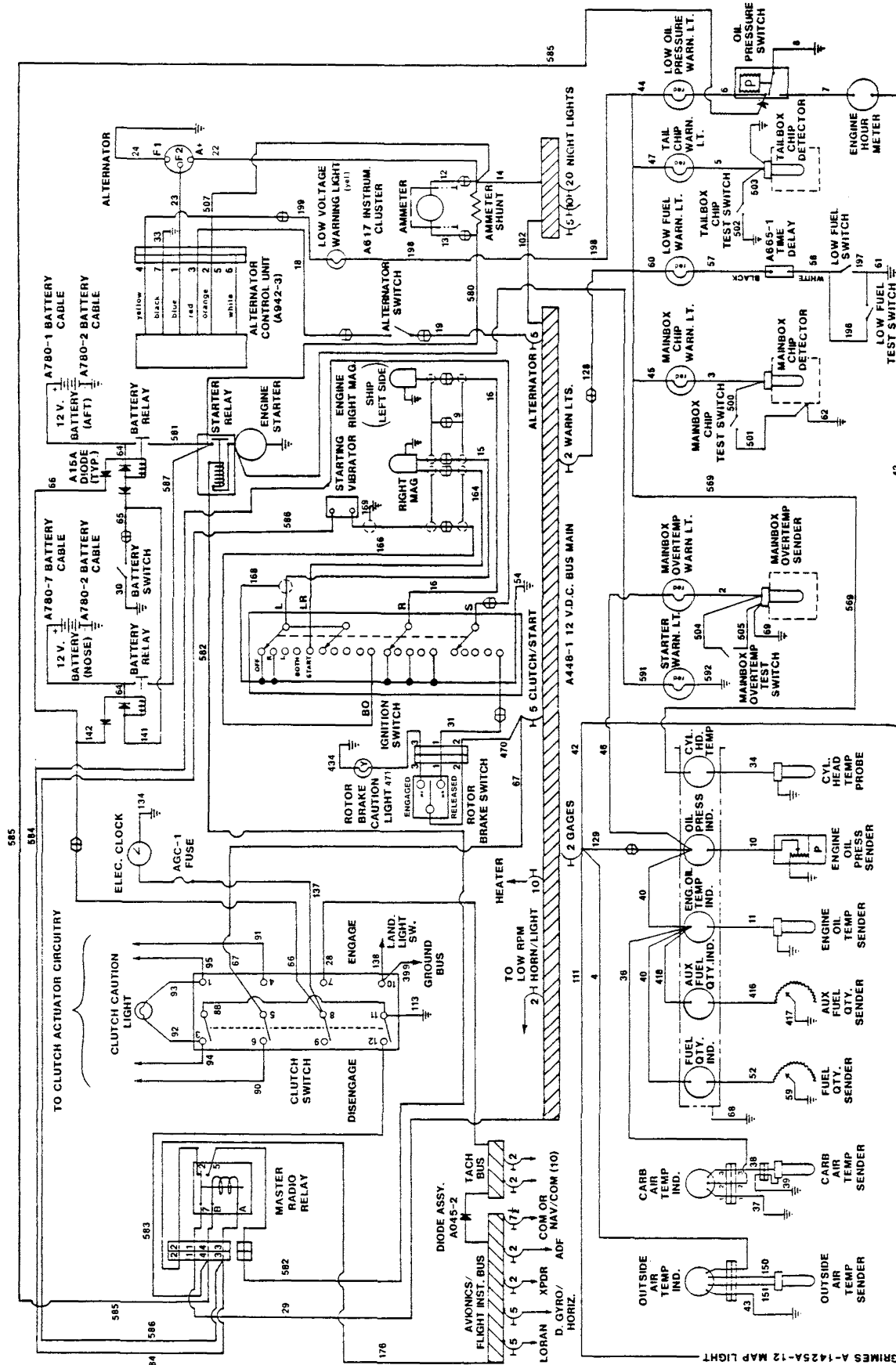


FIGURE 14-J ELECTRICAL SYSTEM SCHEMATIC - DUAL BATTERY PROVISION (IGNITION VIBRATOR) (S/N 1085 & ON)

14.600 (cont'd)

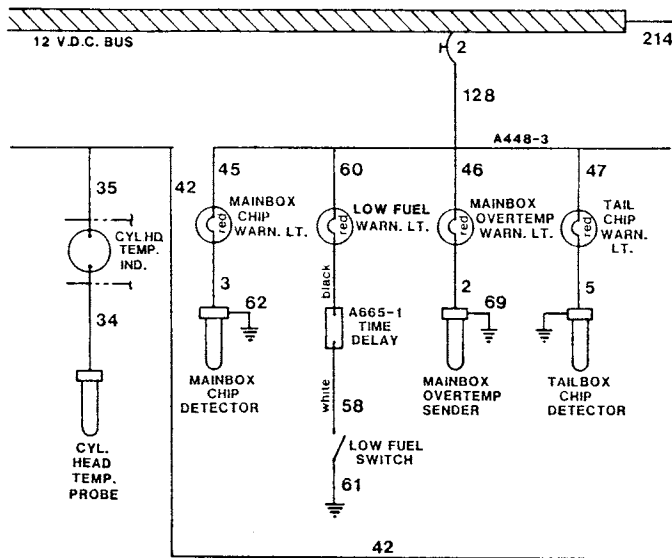


FIGURE 14-2K

M.R. GEARBOX OVERTEMP LIGHT ON 2 AMP WARNING LIGHT BREAKER

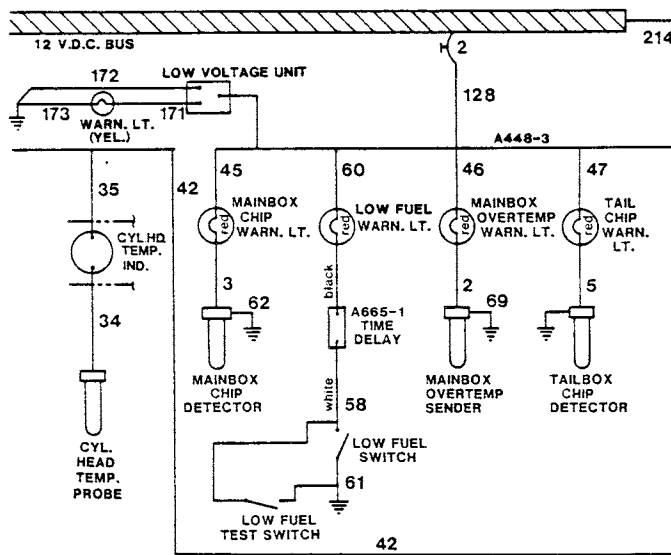


FIGURE 14-2L

M.R. GEARBOX OVERTEMP LIGHT ON 2 AMP WARNING LIGHT BREAKER

LOW VOLTAGE UNIT ON THE 2 AMP WARNING LIGHT BREAKER

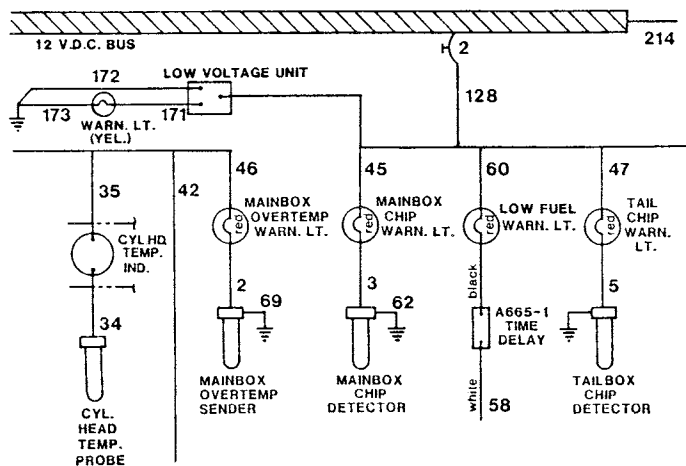


FIGURE 14-2M

M.R. GEARBOX OVERTEMP LIGHT ON 2 AMP GAGES BREAKER

LOW VOLTAGE UNIT ON THE 2 AMP WARNING LIGHT BREAKER

14.600 ELECTRICAL SYSTEM SCHEMATICS (Cont'd)

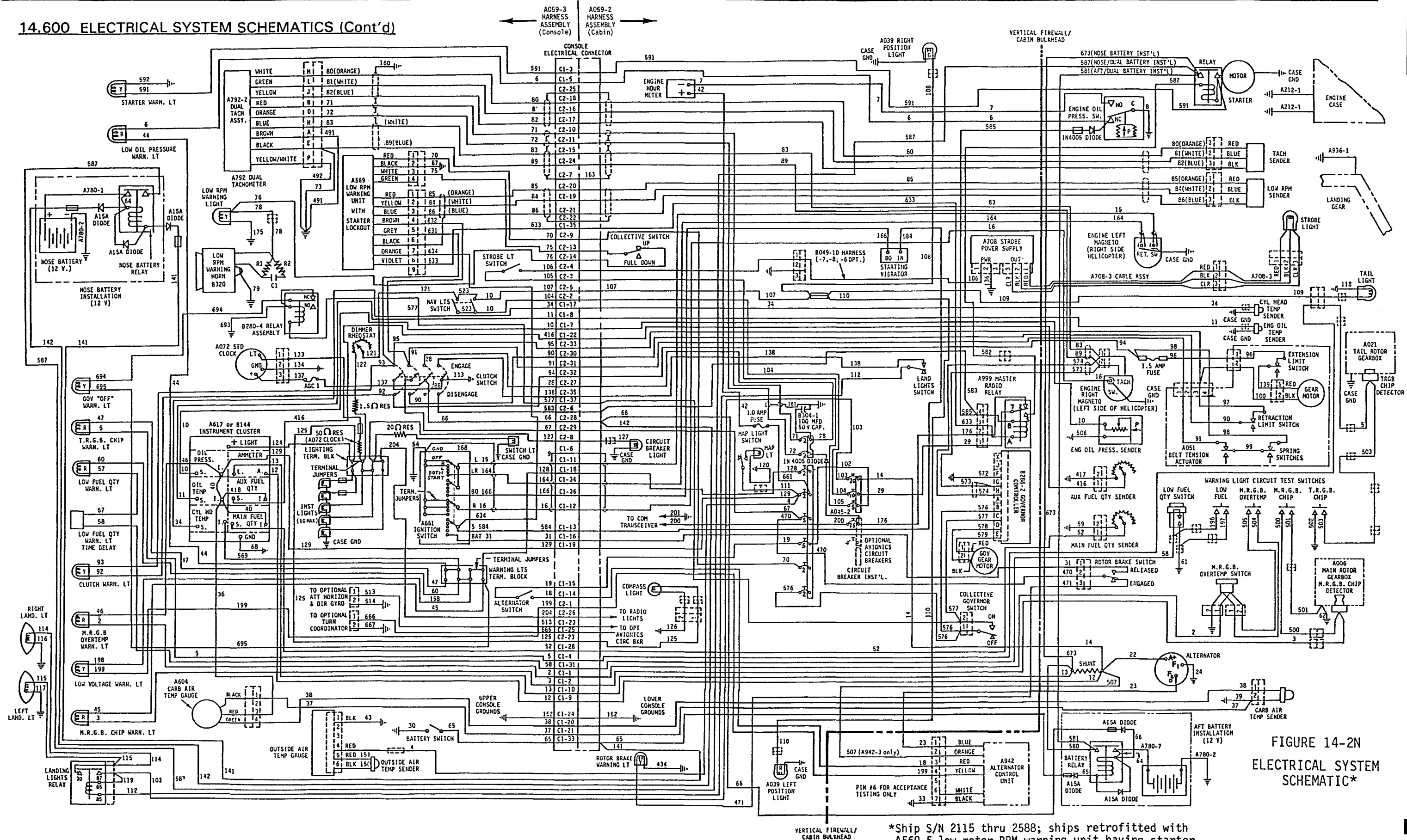


FIGURE 14-2N
ELECTRICAL SYSTEM
SCHEMATIC*

*Ship S/N 2115 thru 2588; ships retrofitted with A569-5 low-rotor RPM warning unit having starter lock-out feature enabled (unit's 9-pin connector connected to airframe wiring). See Figure 14-2P if fuseblock is installed on aft side of left vertical firewall.

14.600 ELECTRICAL SYSTEM SCHEMATICS (cont'd)

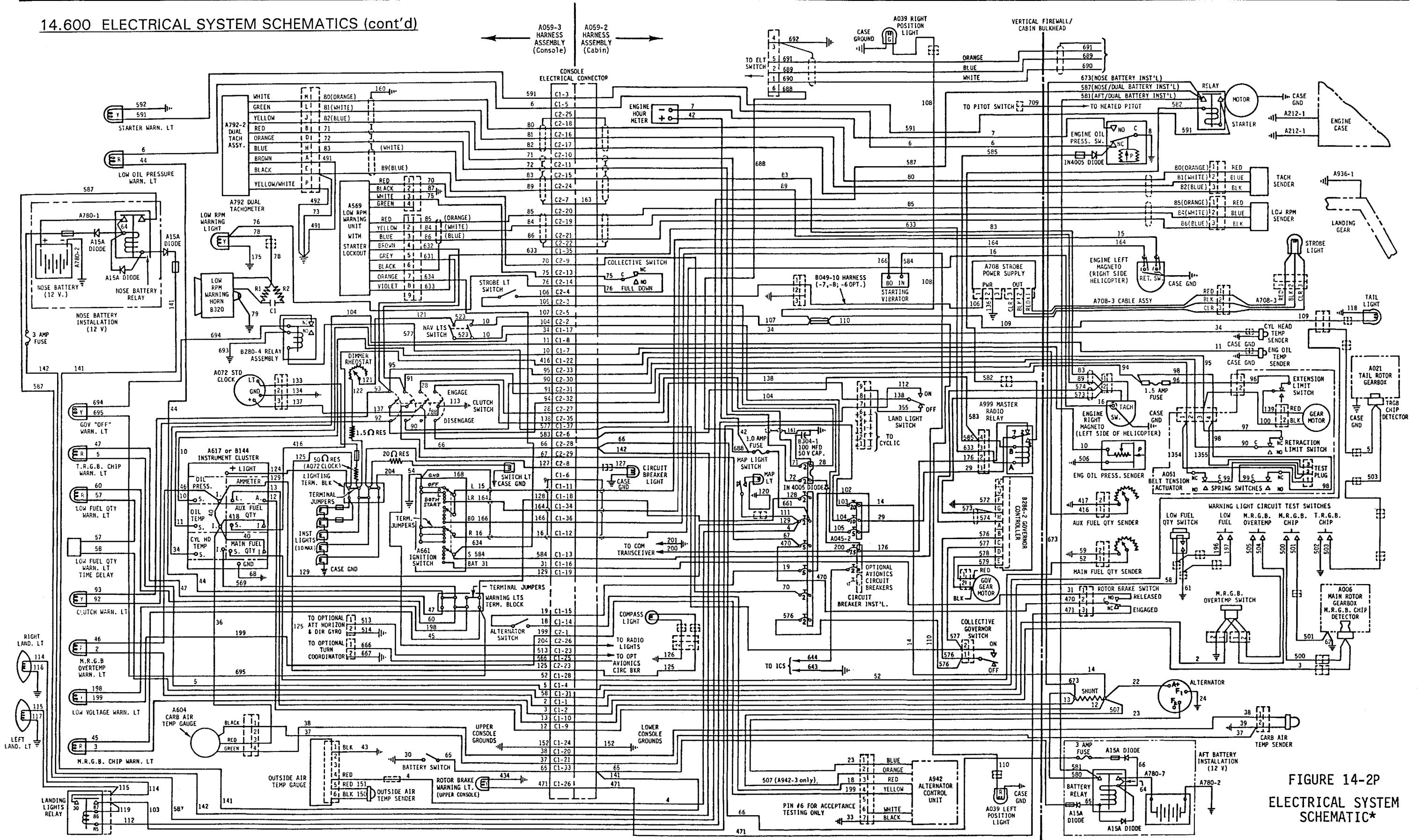
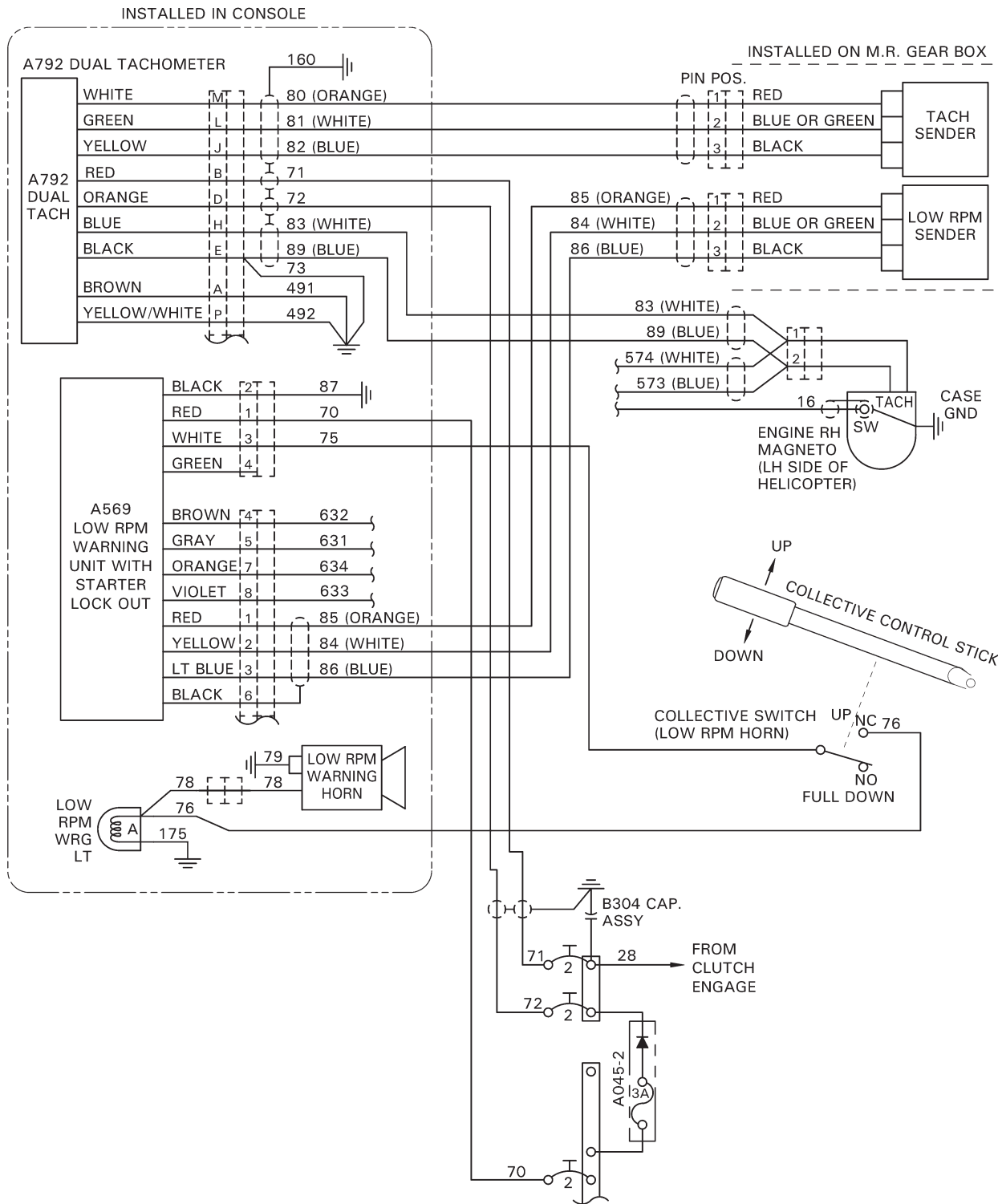


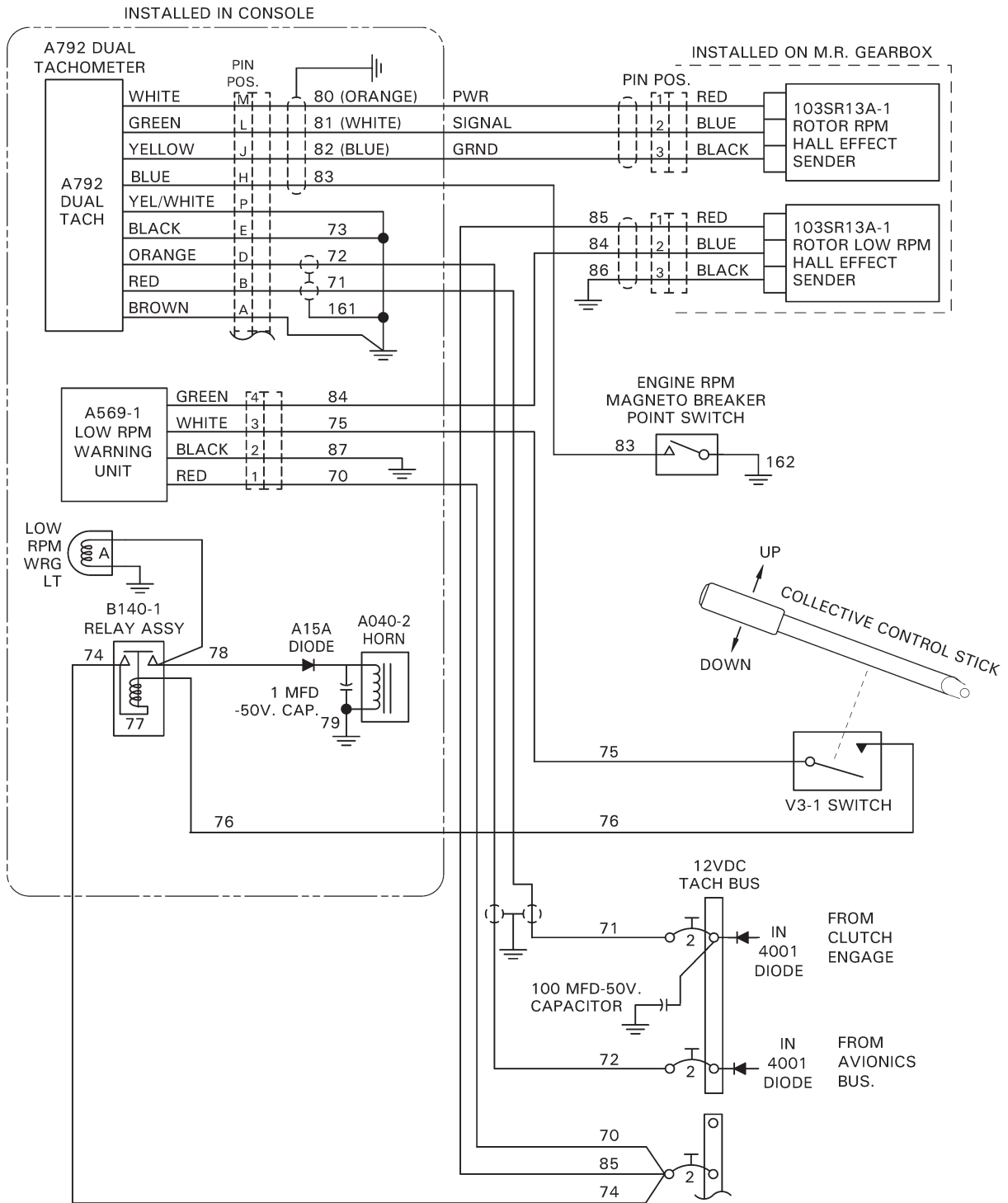
FIGURE 14-2P
ELECTRICAL SYSTEM
SCHEMATIC*

*Ship S/N 2589 and subsequent; ships retrofitted with fuseblock installed on aft side of left vertical firewall.



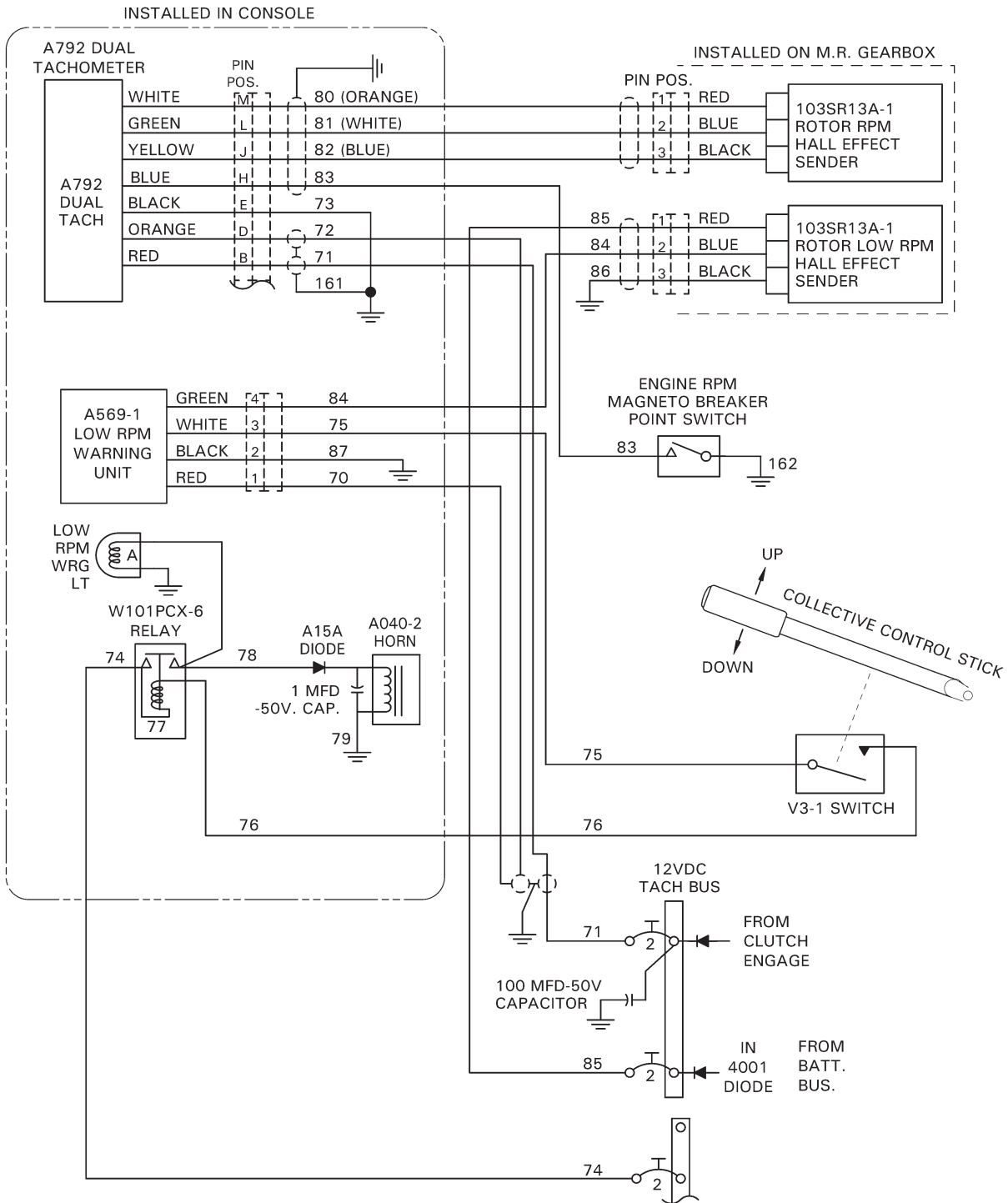
A024 REV BO

FIGURE 14-3 TACHOMETER & LOW RPM WARNING HORN SCHEMATIC



A040 REV W

FIGURE 14-3A TACHOMETER & LOW RPM WARNING HORN SCHEMATIC (EARLIER SHIPS)



A040 REV U

FIGURE 14-3B TACHOMETER & LOW RPM WARNING HORN SCHEMATIC (S/N 0002 THRU 0223)

Intentionally Blank

14.600 ELECTRICAL SYSTEM SCHEMATICS (Cont'd)

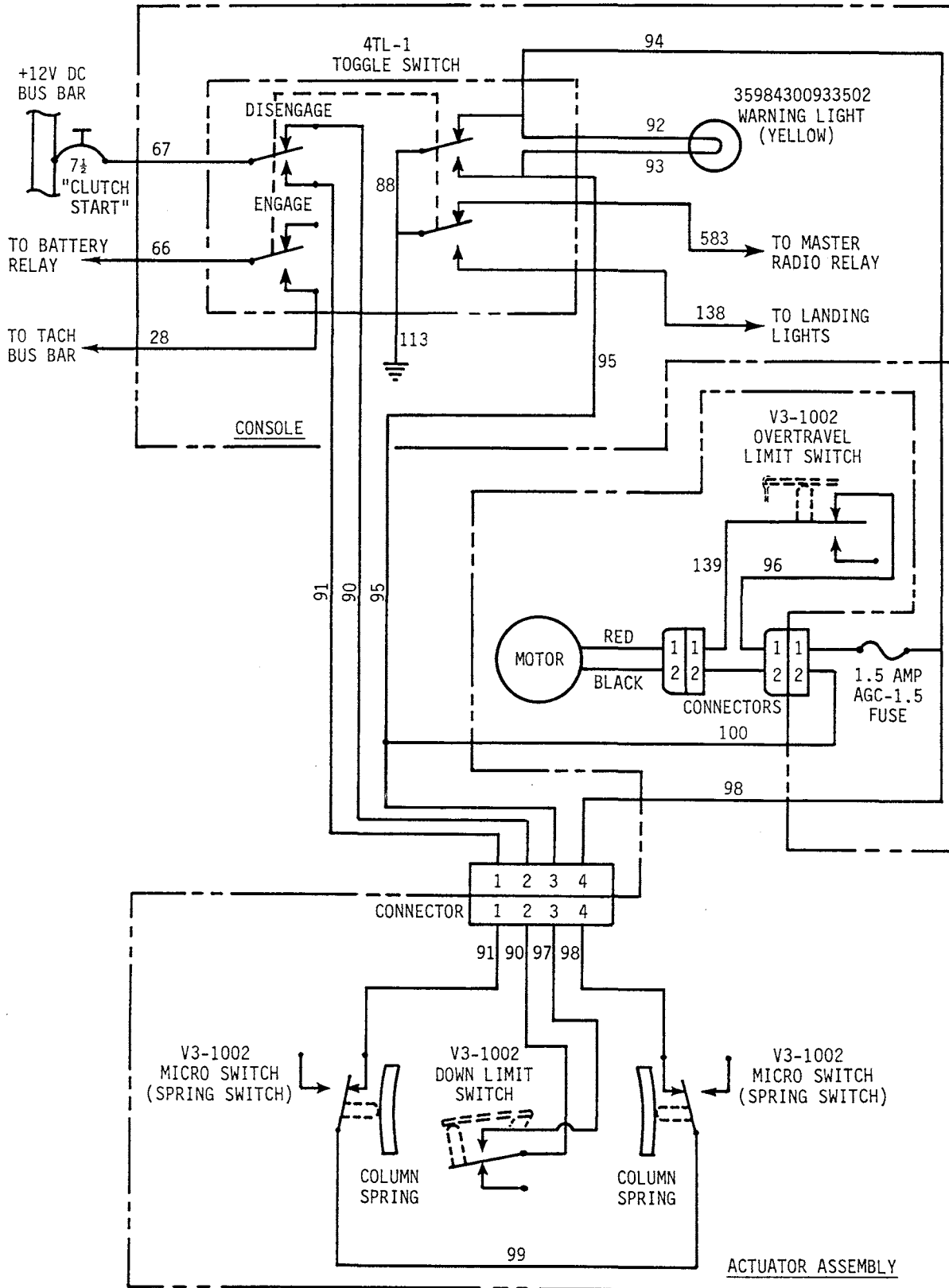
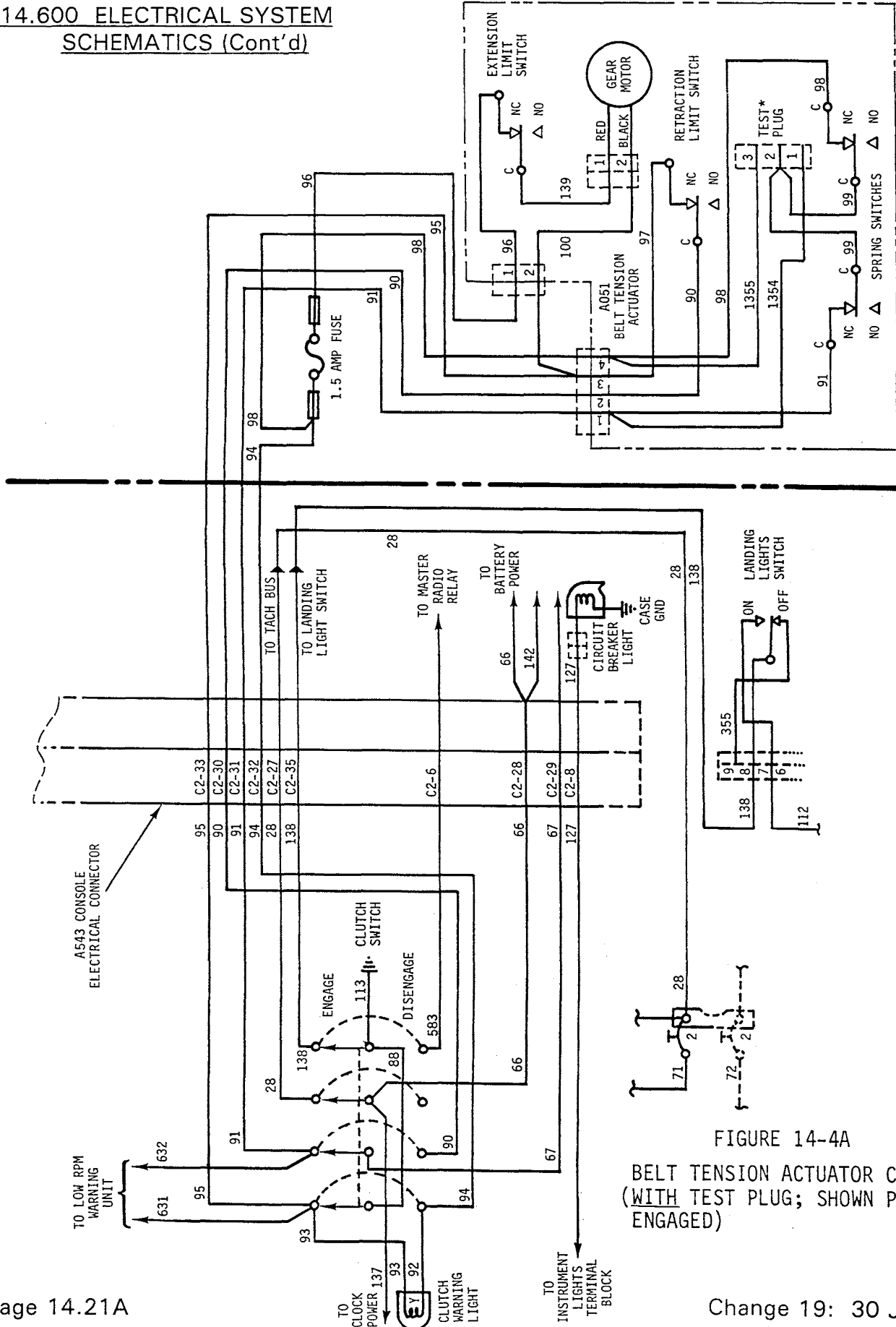


FIGURE 14-4 BELT TENSION ACTUATOR SCHEMATIC (WITHOUT TEST PLUG; SHOWN FULLY DISENGAGED)

14.600 ELECTRICAL SYSTEM
SCHEMATICS (Cont'd)



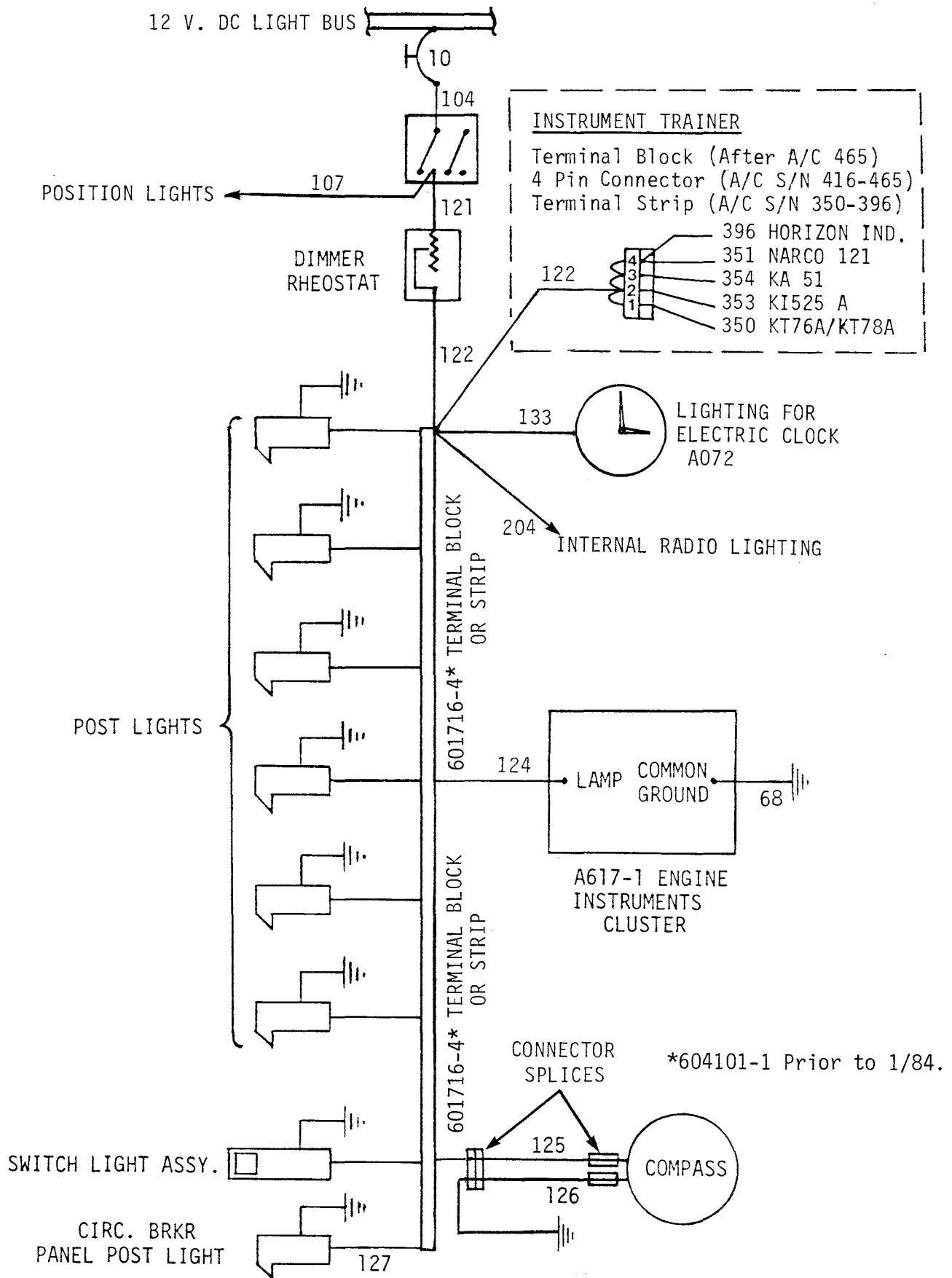
*If installed.

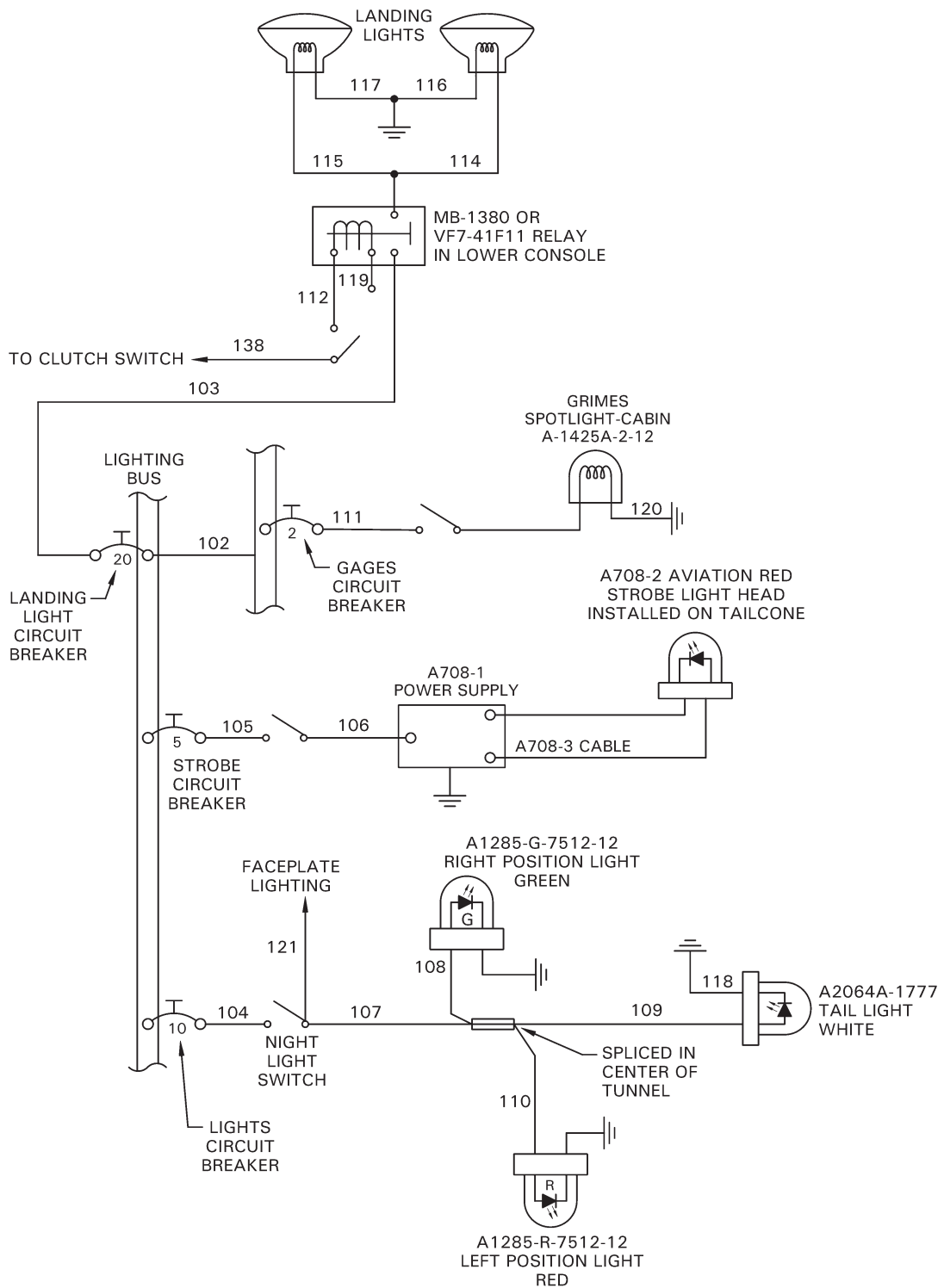
FIGURE 14-4A

BELT TENSION ACTUATOR CIRCUIT
(WITH TEST PLUG; SHOWN PARTIALLY
ENGAGED)

Intentionally blank.

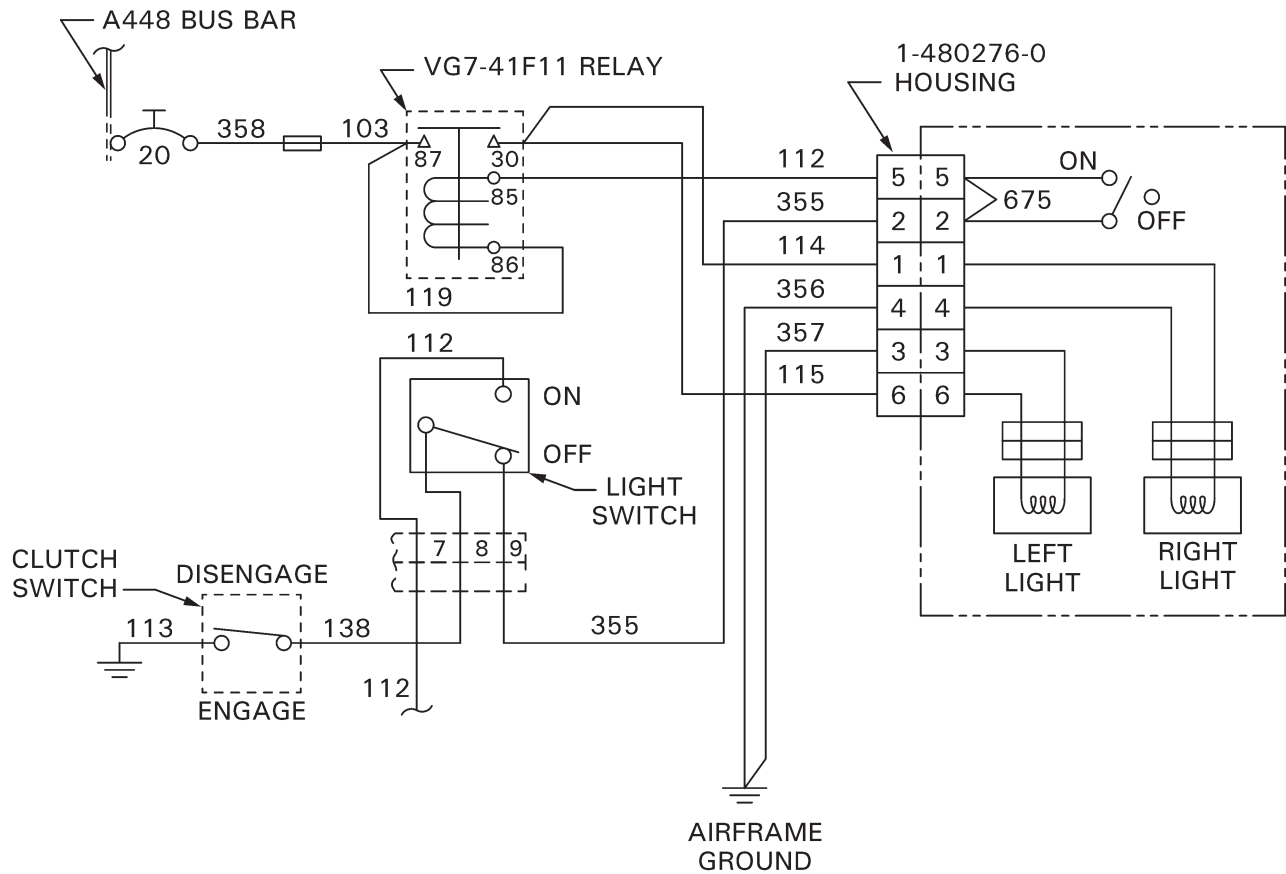
14.600 (cont'd)





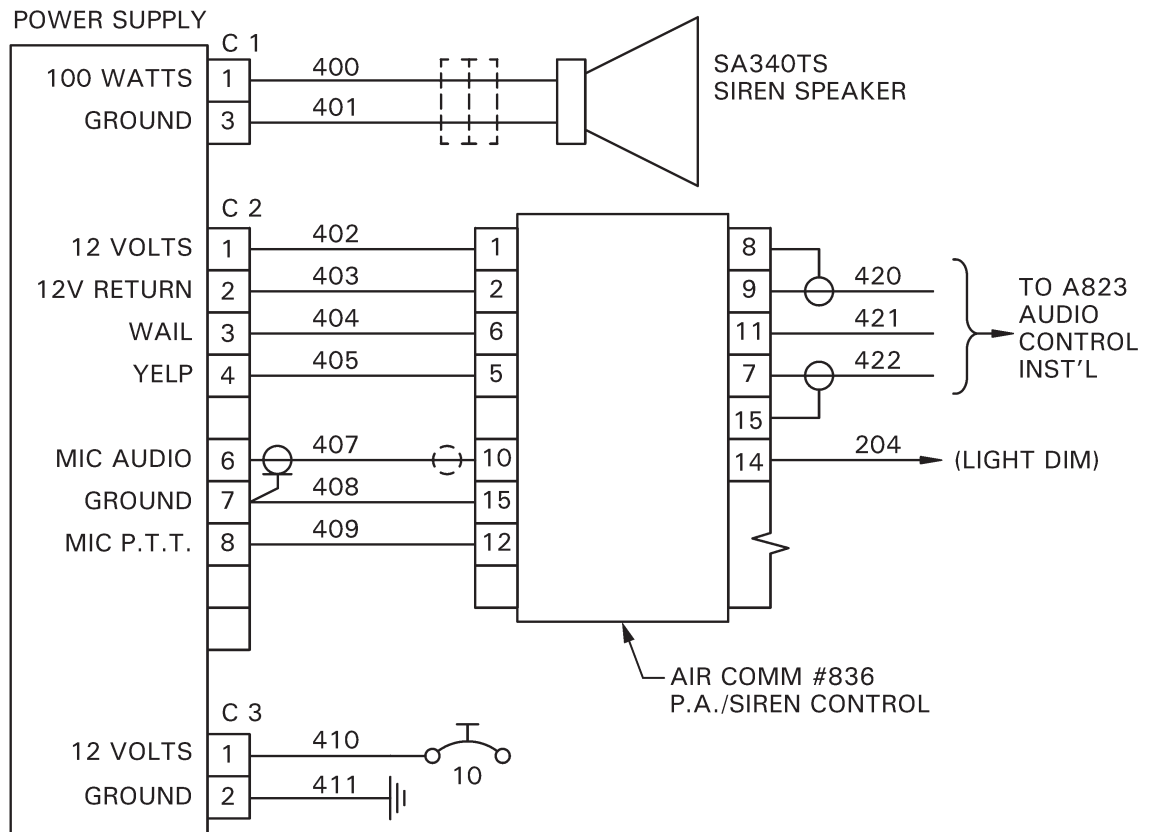
A024 REV BD

FIGURE 14-5A NIGHT LIGHTING SCHEMATIC



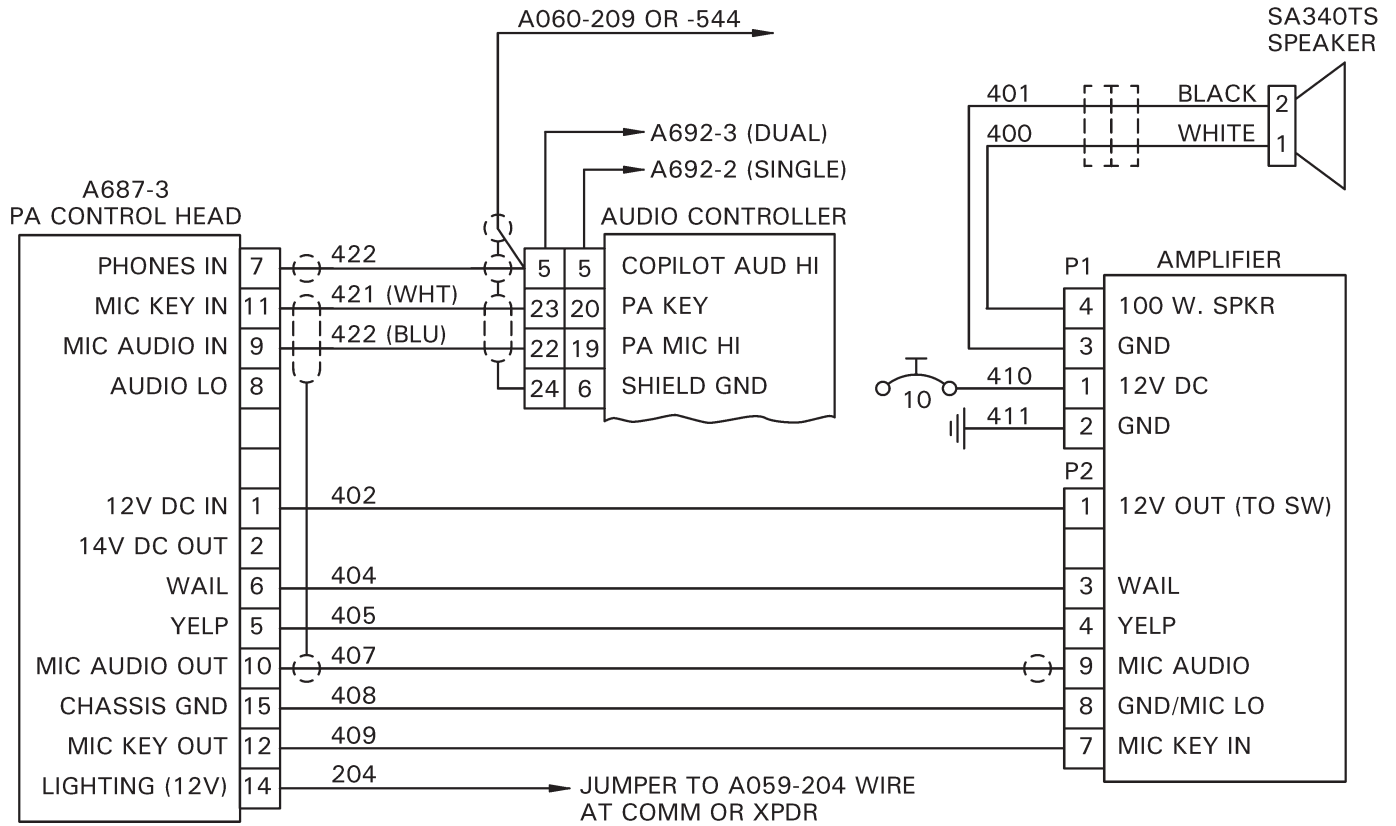
A081 REV M

FIGURE 14-6 WIRING SCHEMATIC FOR SEARCHLIGHT



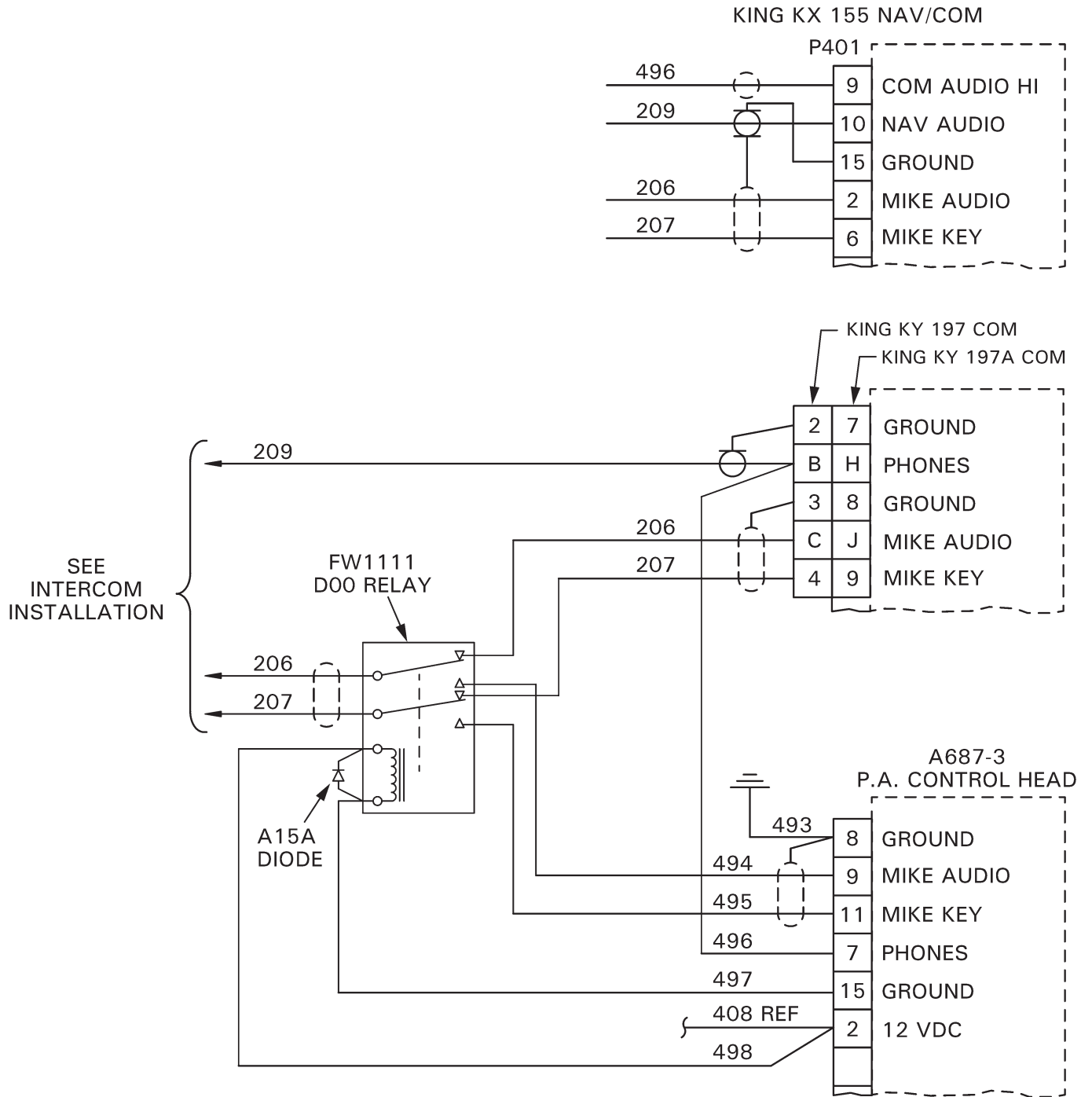
A079 REV J

FIGURE 14-6A PA SIREN WIRING SCHEMATIC



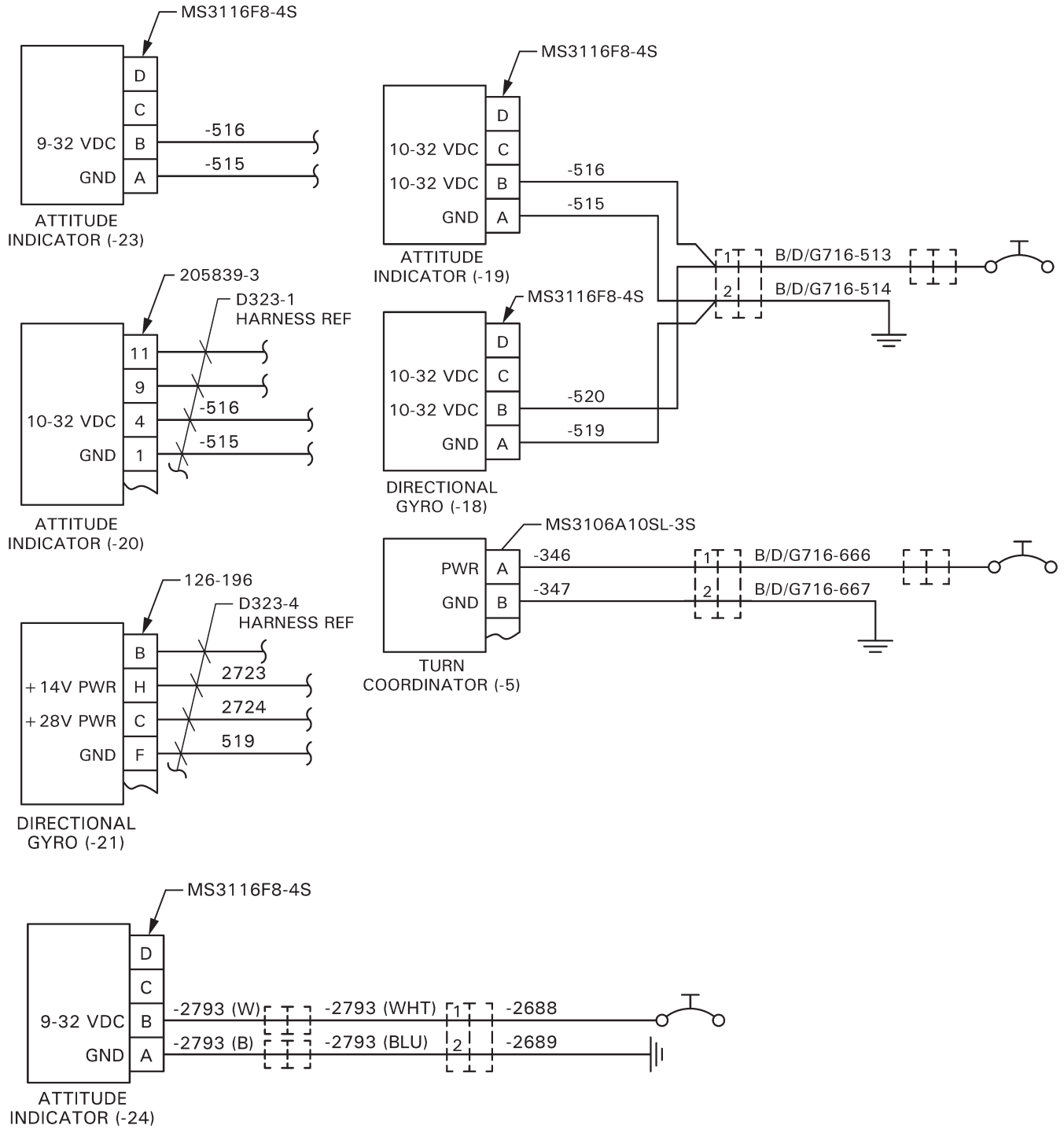
A079 REV L

FIGURE 14-6B PA SIREN SYSTEM SCHEMATIC (WITH AUDIO CONTROL)



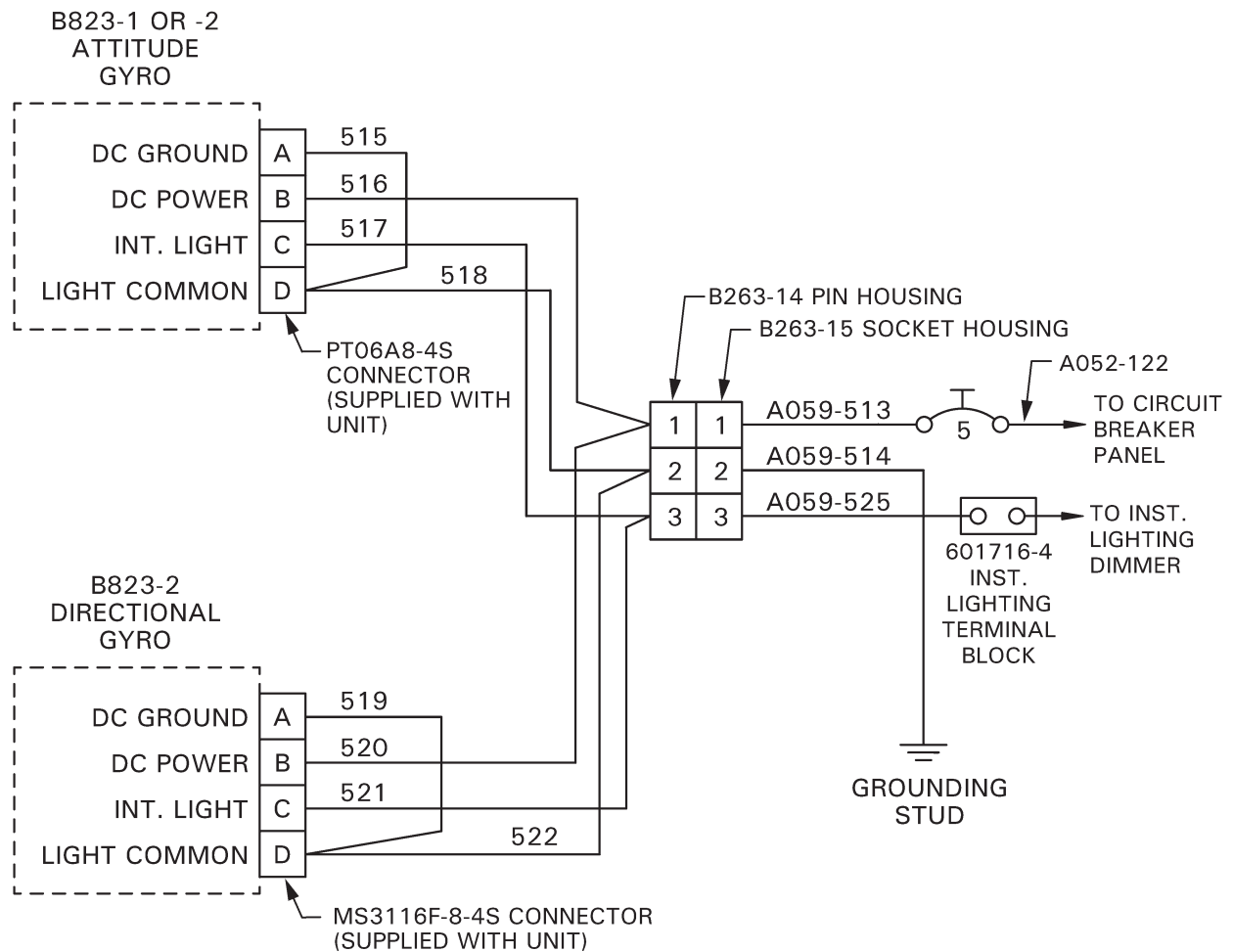
A079 REV K

FIGURE 14-6C PA SIREN SYSTEM SCHEMATIC (WITH KING KX 155 OR KY 197)



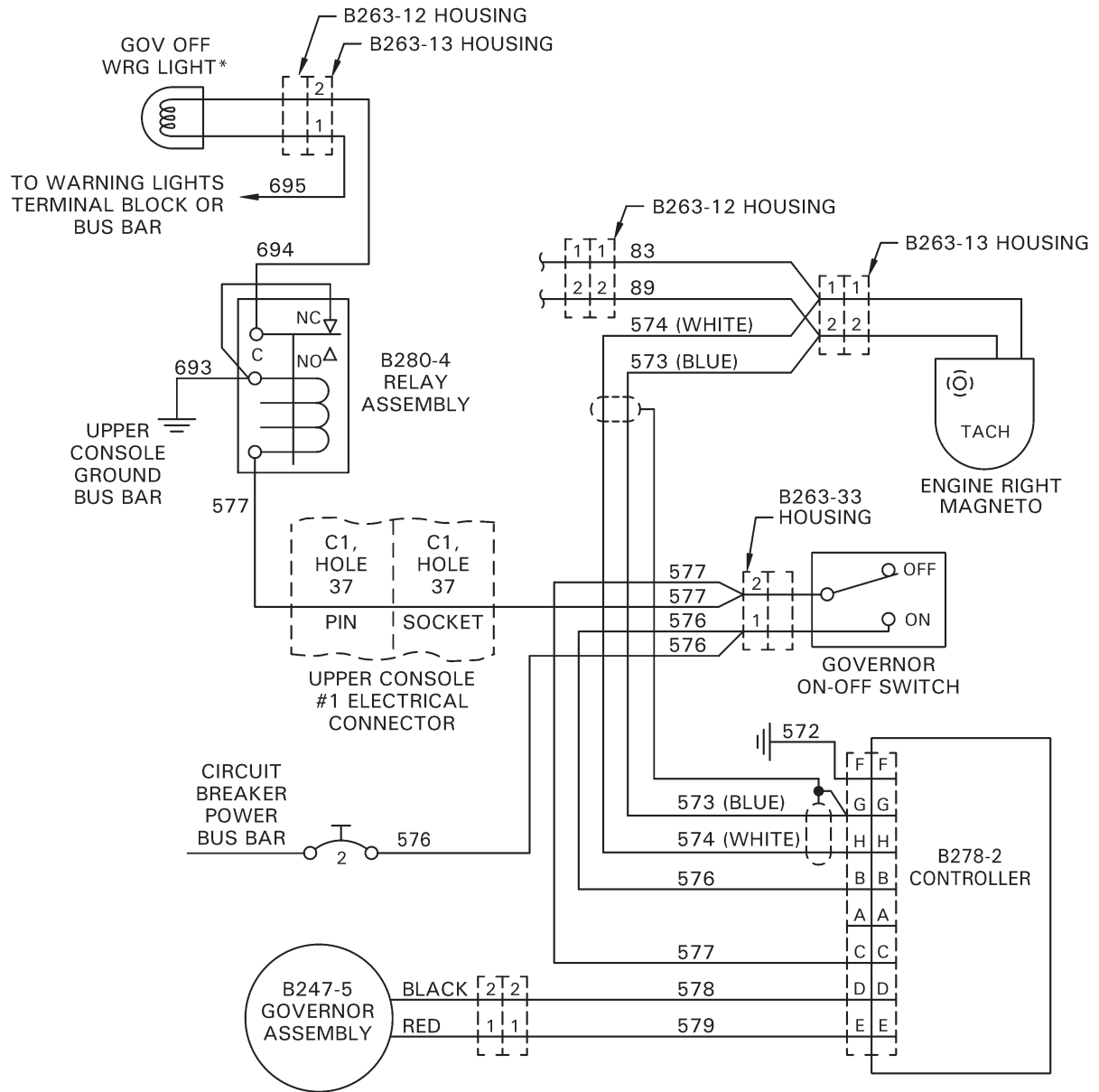
B191 REV AE

FIGURE 14-6D ATTITUDE GYRO AND DIRECTIONAL GYRO INSTALLATION



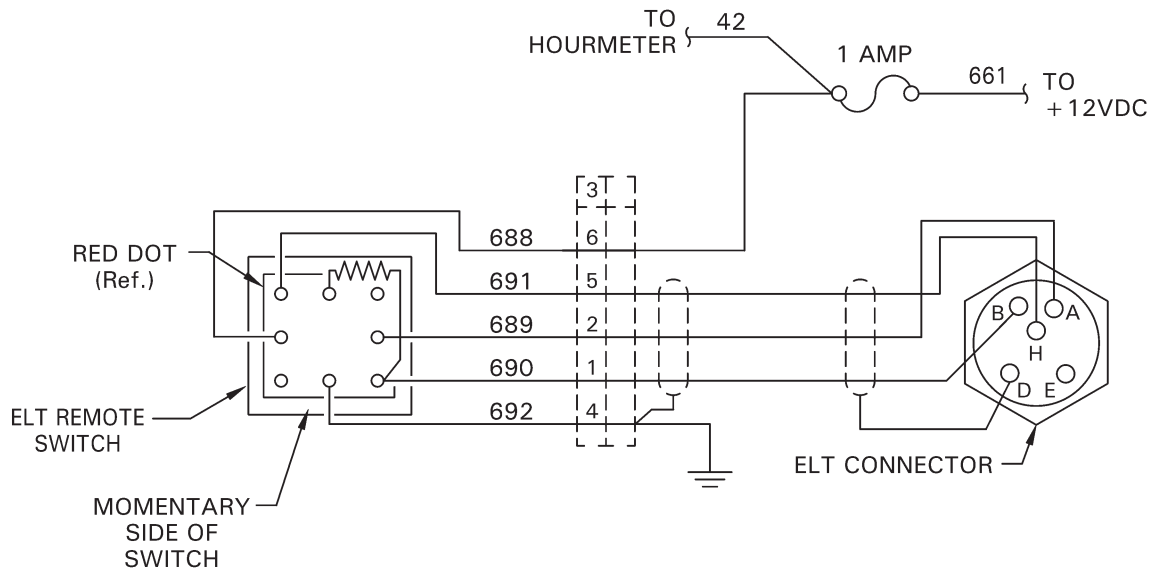
B191 REV E

FIGURE 14-6E ATTITUDE GYRO AND DIRECTIONAL GYRO INSTALLATION (EARLIER SHIPS)



* If not installed, GOVERNOR OFF warning light may be added using KI-100 Kit.

FIGURE 14-6F GOVERNOR SYSTEM SCHEMATIC



A830 REV D

FIGURE 14-6G ELT REMOTE SWITCH WIRING SCHEMATIC

14.700 Antenna Locations

| This section has been moved to § 16-70.

14.800 Avionics Schematics

Basic communications wiring common to all the COM radio configurations include: Pilot and Co-Pilot cyclic stick switches (Transmit and Intercom), and an overhead COM box housing Pilot and Co-Pilot headphone jacks and relays. The intercom system operates through installed COM radio or audio selector panel.

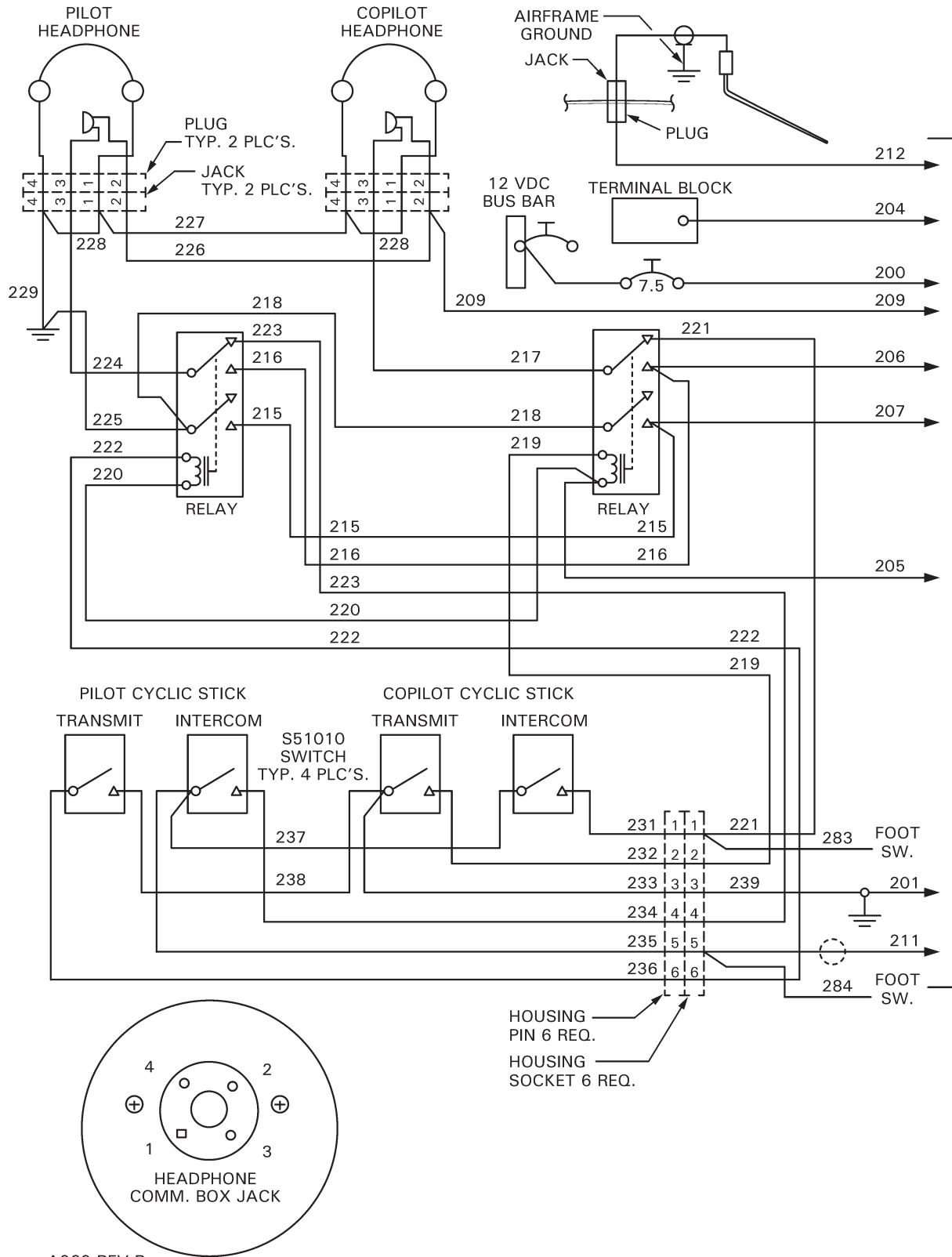


FIGURE 14-8 INTERCOM SYSTEM (EARLIER SHIPS)

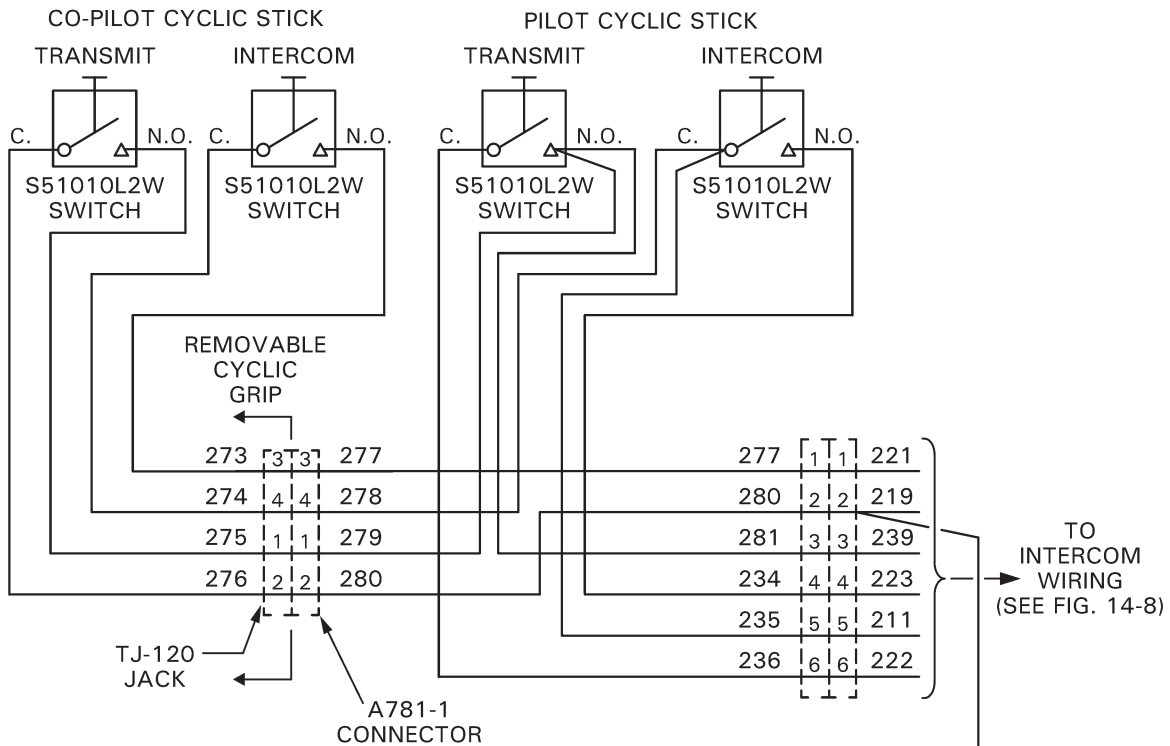


FIGURE 14-8A INTERCOM SCHEMATIC WITH REMOVABLE CYCLIC GRIP (EARLIER SHIPS)

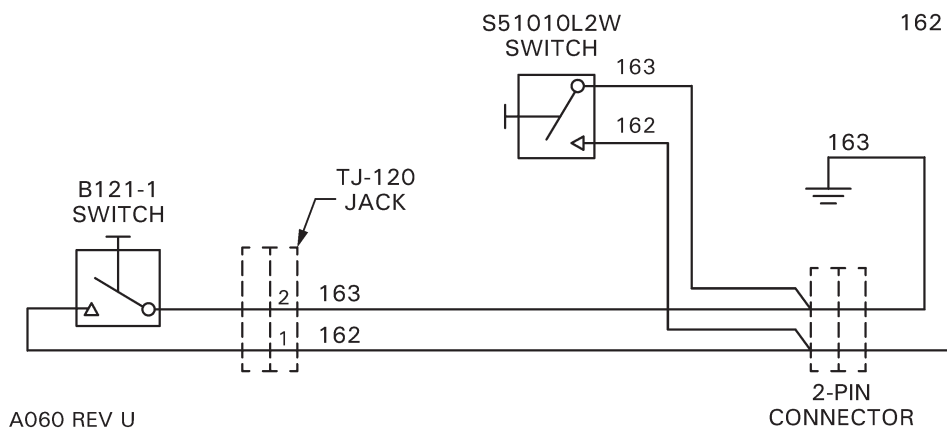
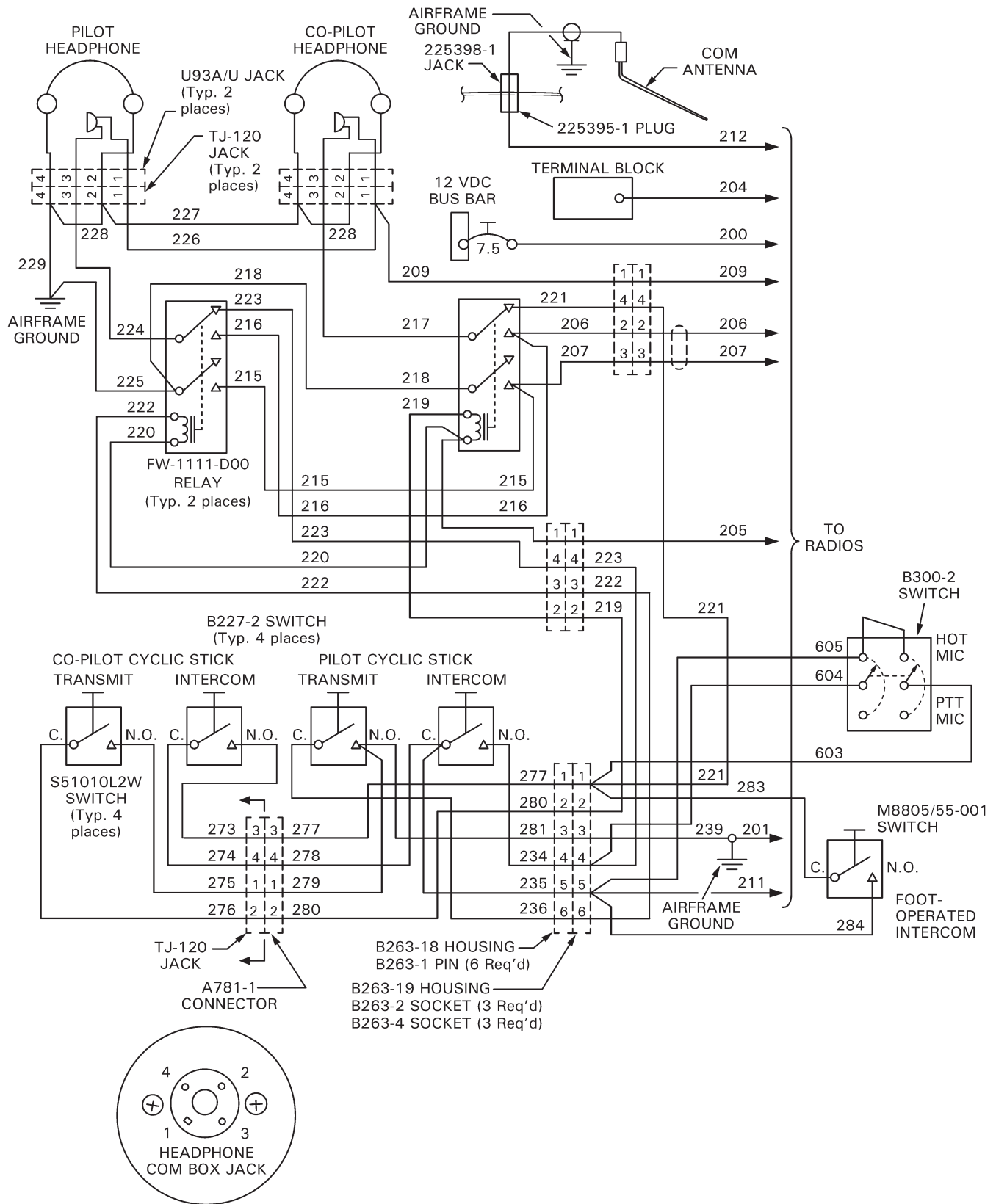


FIGURE 14-8B REMOTE CYCLIC SWITCH WIRING DIAGRAM (R22 MARINER; EARLIER SHIPS)



A060 REV AB

FIGURE 14-8C INTERCOM SCHEMATIC WITH HOT MIC SWITCH (EARLIER SHIPS)

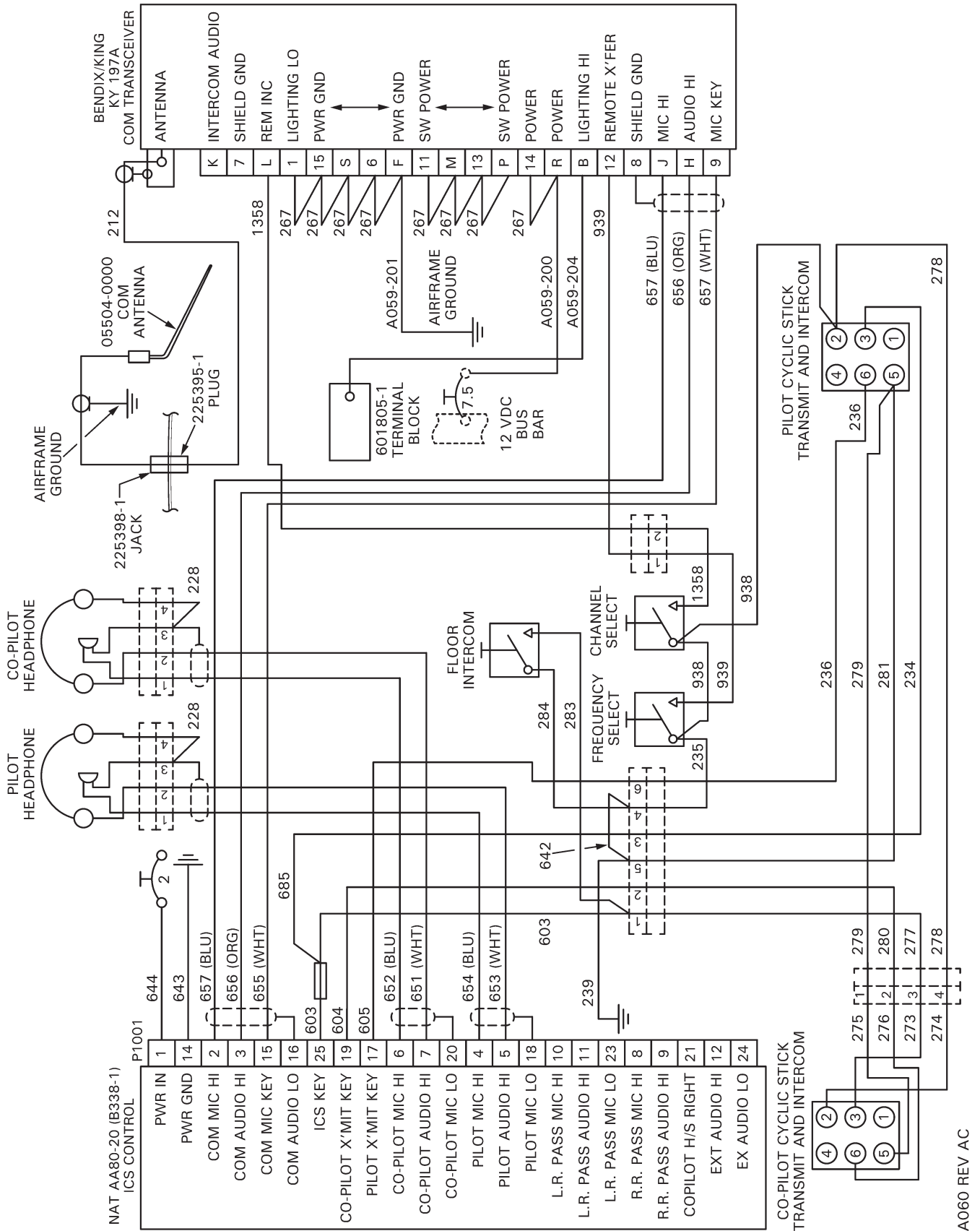
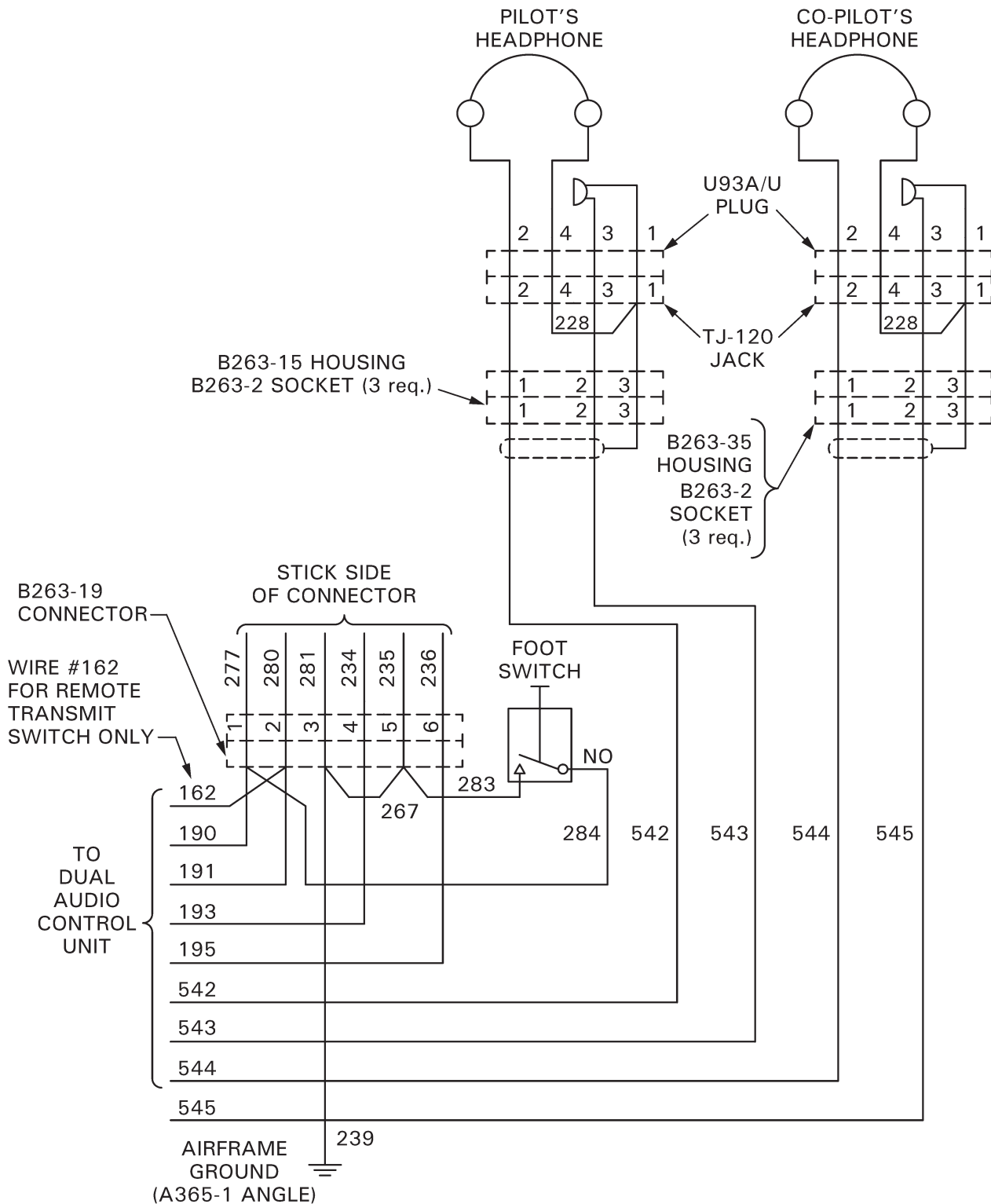


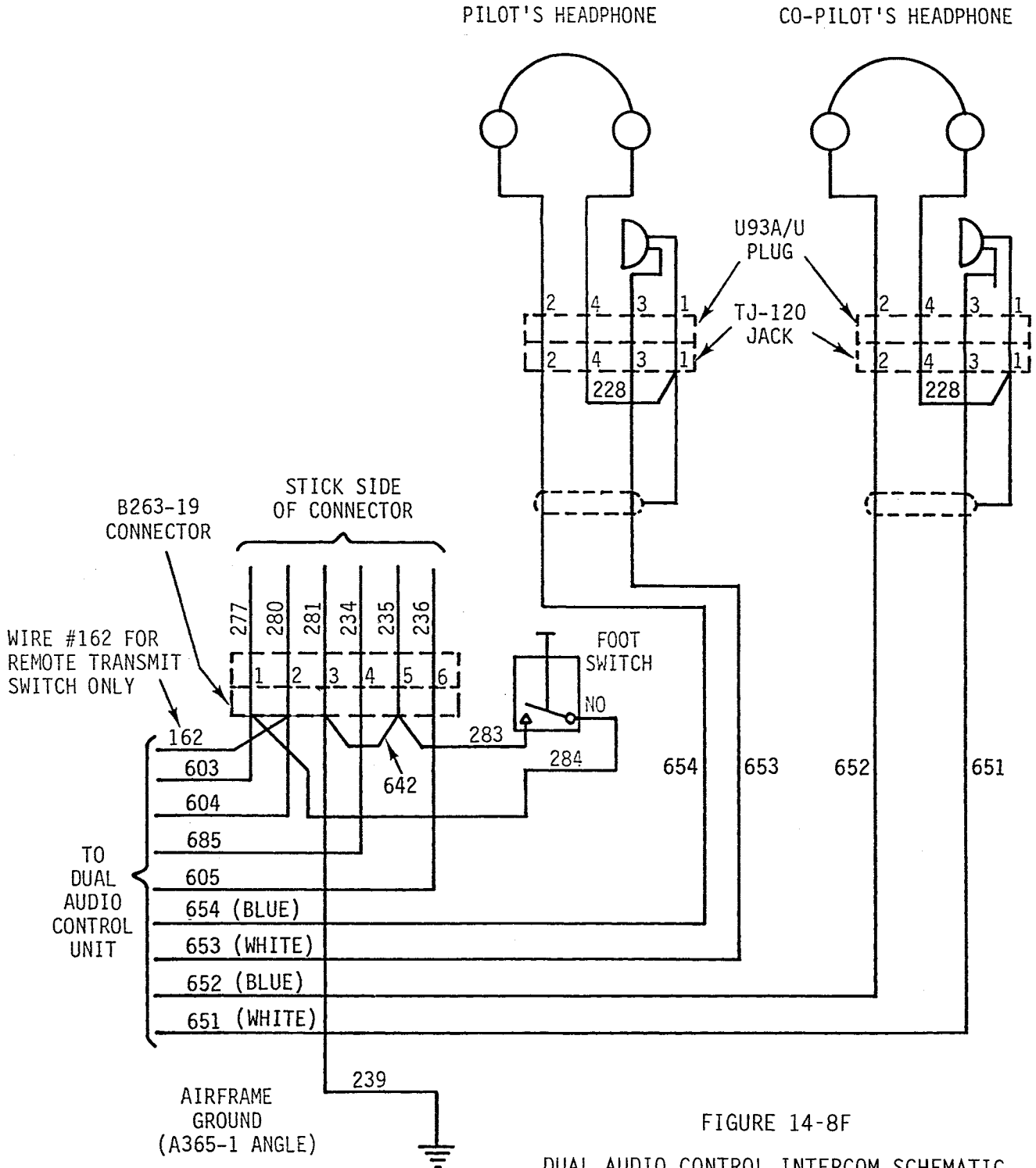
FIGURE 14-8D INTERCOM SCHEMATIC WITH B338-1 (NAT AA80-020) ICS CONTROL (SHIP S/N 2967 & ON; EARLIER SHIPS)



A060 REV AB

FIGURE 14-8E DUAL AUDIO CONTROL INTERCOM SCHEMATIC
(FOR R22s WITH A692-3 [AIR COMM ACS 300] DUAL AUDIO CONTROL; EARLIER SHIPS)

14.800 AVIONICS SCHEMATICS (cont'd)



DUAL AUDIO CONTROL INTERCOM SCHEMATIC
(For R22s with AIR COMM ACS 300* Dual Audio Control with NAT AA80-020** ICS Control; Ship S/N 2967 and on.)

*RHC part no. A692-3.
**RHC part no. B338-1.

14.800 AVIONICS SCHEMATICS (cont'd)

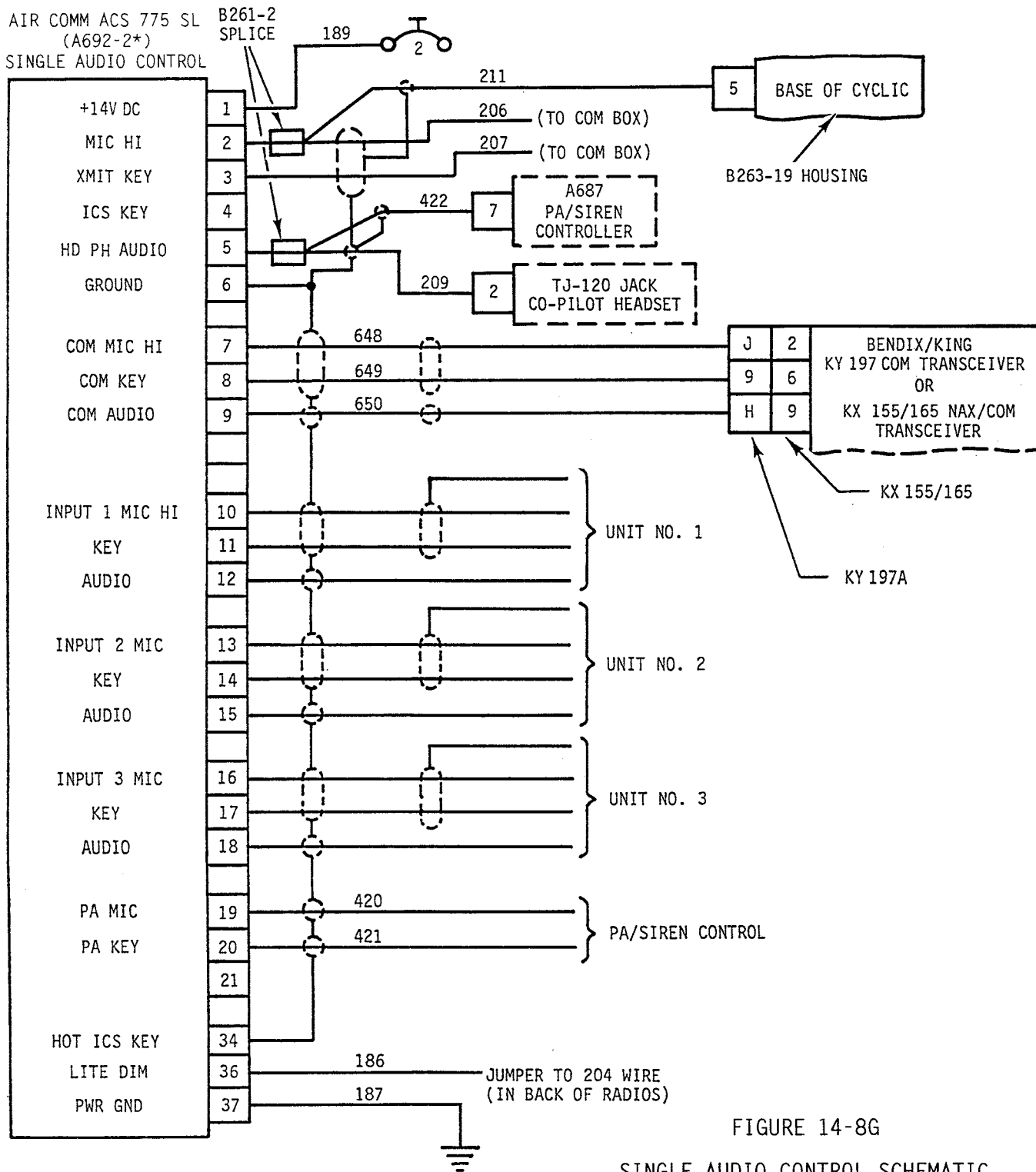


FIGURE 14-8G

SINGLE AUDIO CONTROL SCHEMATIC
AIR COMM ACS 775 SL (A692-2*)
(Ship S/N 2967 and on)

*RHC part no.

14.800 AVIONICS SCHEMATICS (cont'd)

AIR COMM ACS 775 SL
(A692-2*)
SINGLE AUDIO CONTROL

NAT AA80-020 (B338-1*)
ICS CONTROL

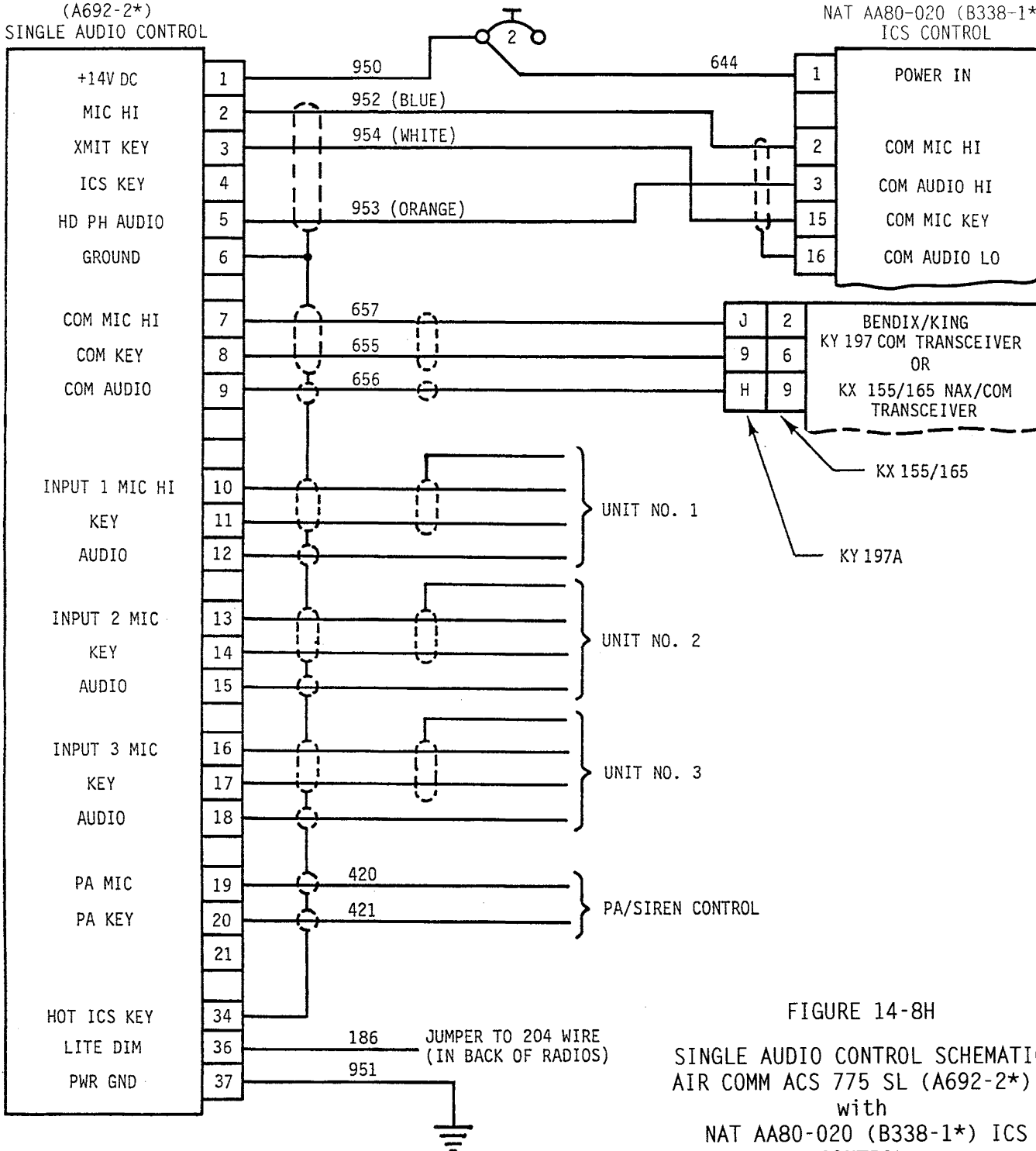


FIGURE 14-8H
SINGLE AUDIO CONTROL SCHEMATIC
AIR COMM ACS 775 SL (A692-2*)
with
NAT AA80-020 (B338-1*) ICS CONTROL
(Ship S/N 2967 and on)

*RHC part no.

14.800 AVIONICS SCHEMATICS (cont'd)

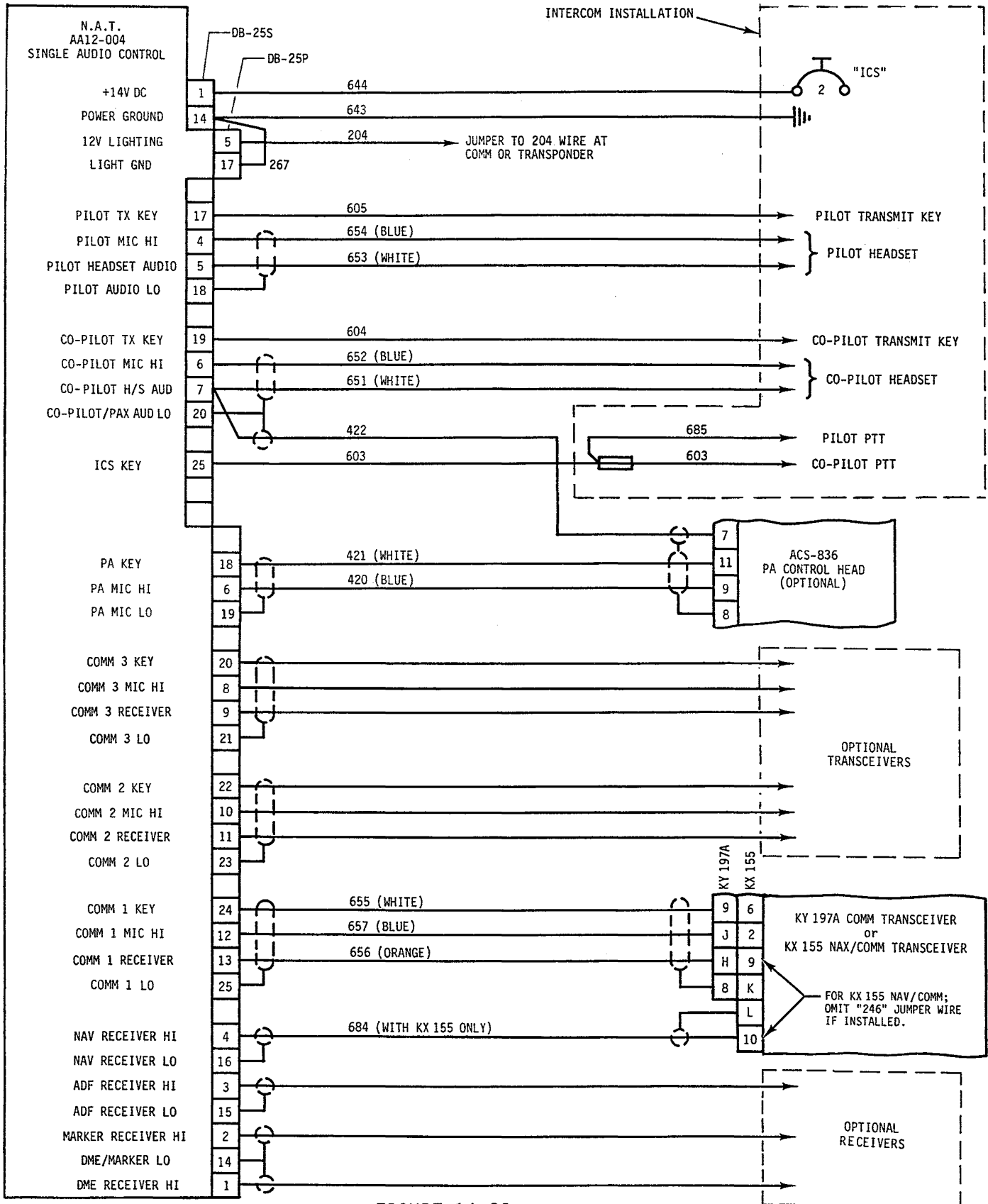


FIGURE 14-8I

NAT AA12-004 SINGLE AUDIO CONTROL SCHEMATIC
(Ship S/N 2967 and on)

14.800 AVIONICS SCHEMATICS (cont'd)

AIR COMM ACS 300 (A692-3*)
DUAL AUDIO CONTROL

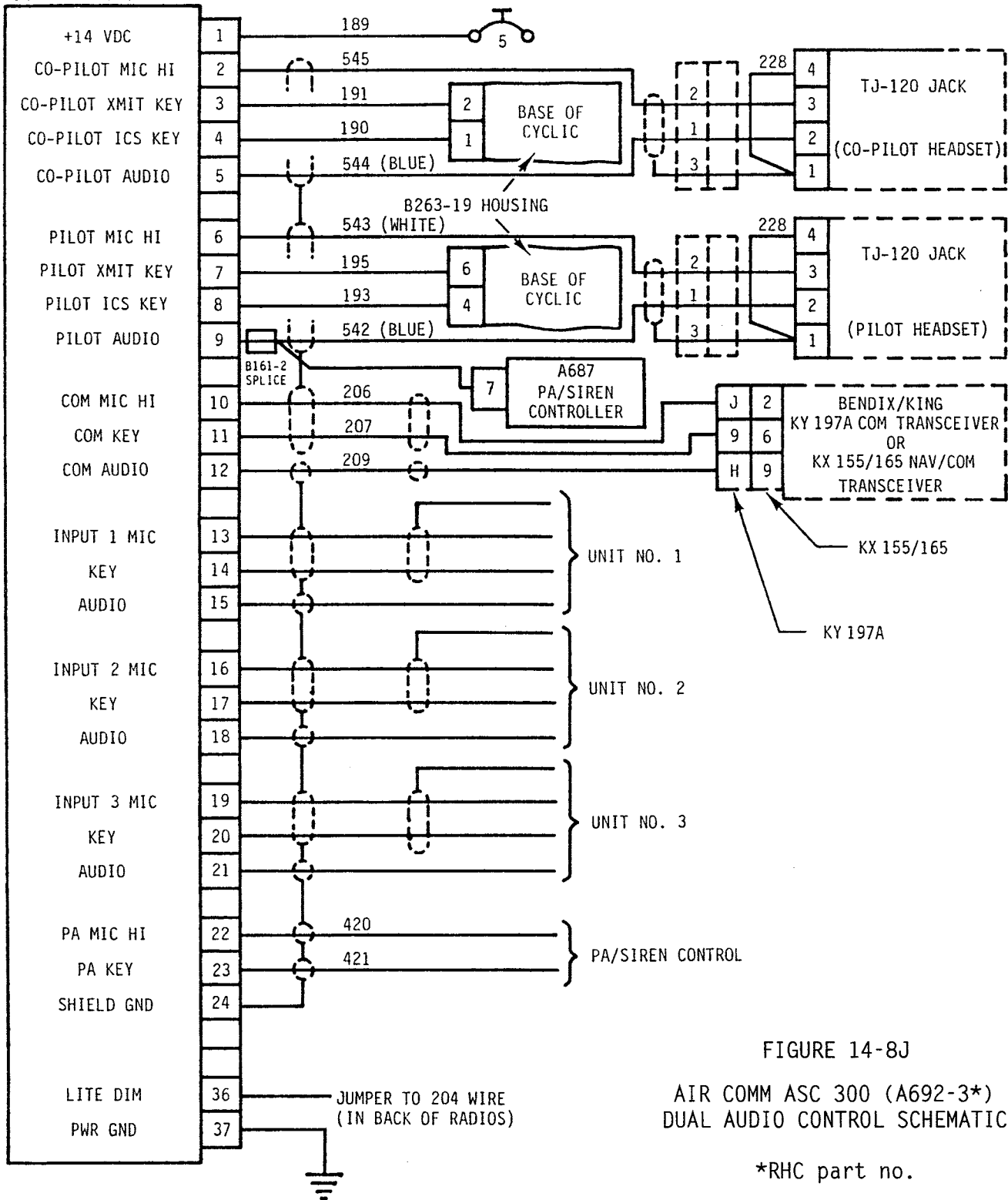


FIGURE 14-8J

AIR COMM ASC 300 (A692-3*)
DUAL AUDIO CONTROL SCHEMATIC

*RHC part no.

14.800 AVIONICS SCHEMATICS (cont'd)

AIR COMM ACS 300 (A692-3*)
DUAL AUDIO CONTROL

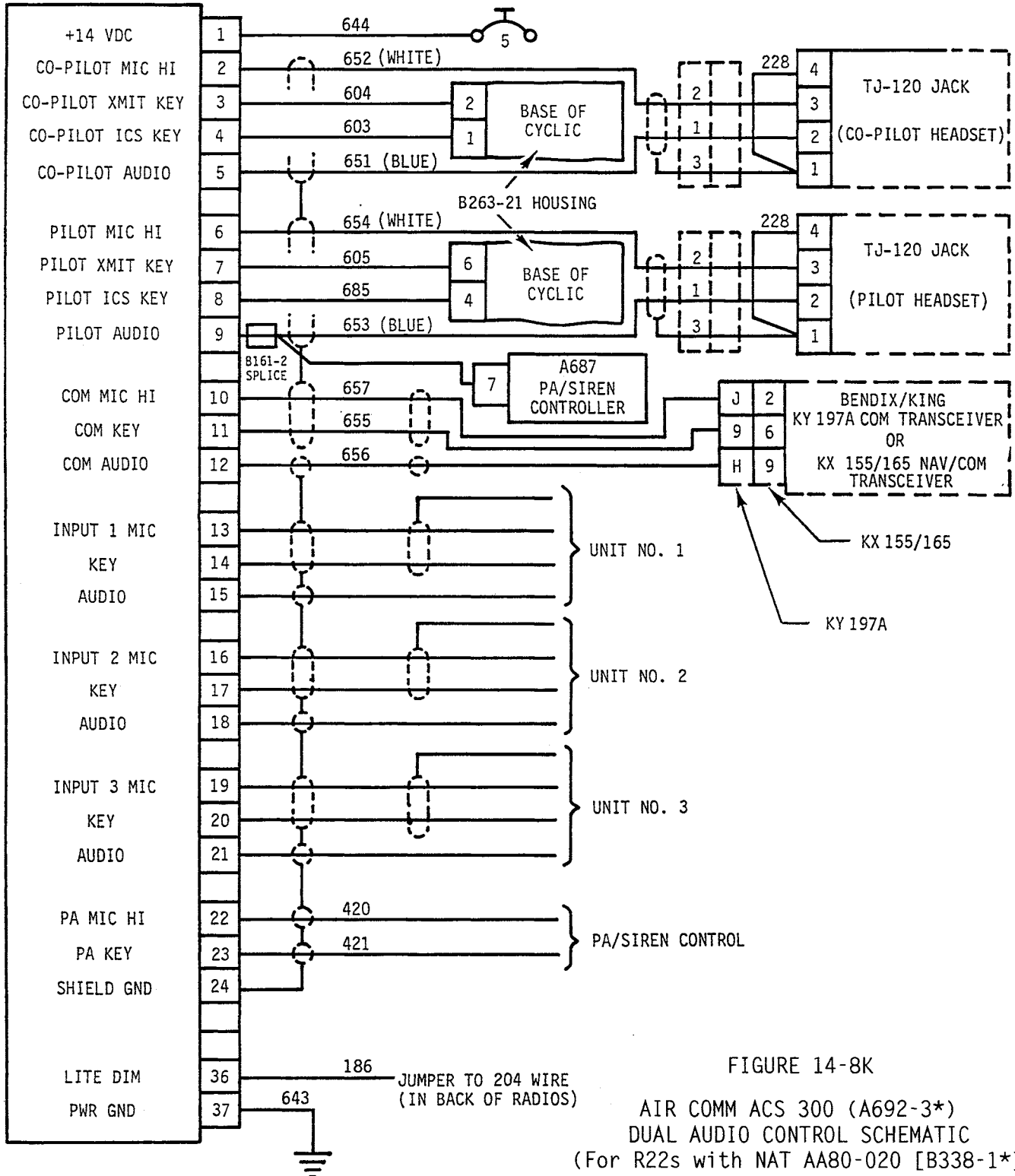
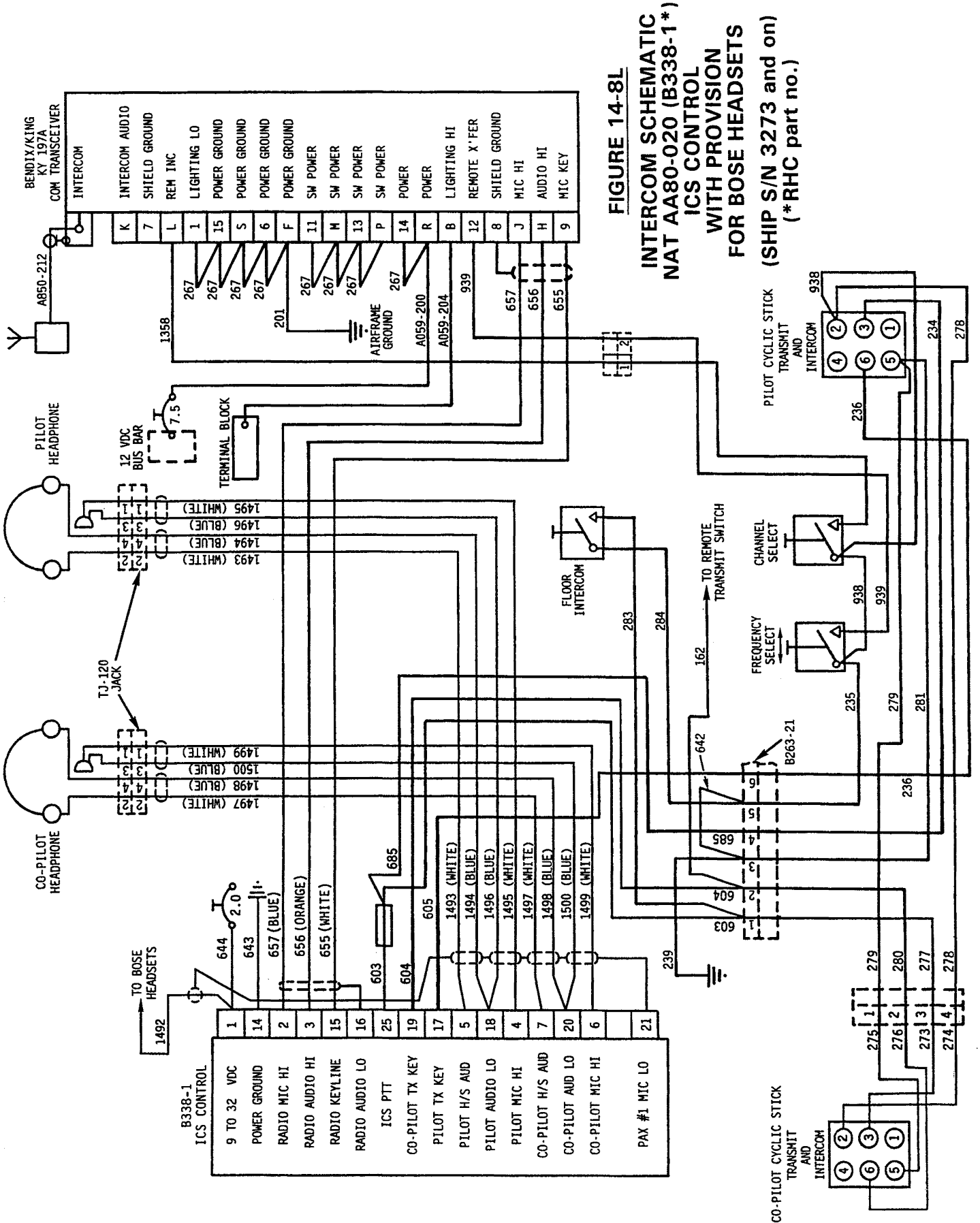


FIGURE 14-8K

AIR COMM ACS 300 (A692-3*)
DUAL AUDIO CONTROL SCHEMATIC
(For R22s with NAT AA80-020 [B338-1*]
ICS Control; Ship S/N 2967 and on.)

*RHC part no.



INTENTIONALLY BLANK

14.800 (cont'd)

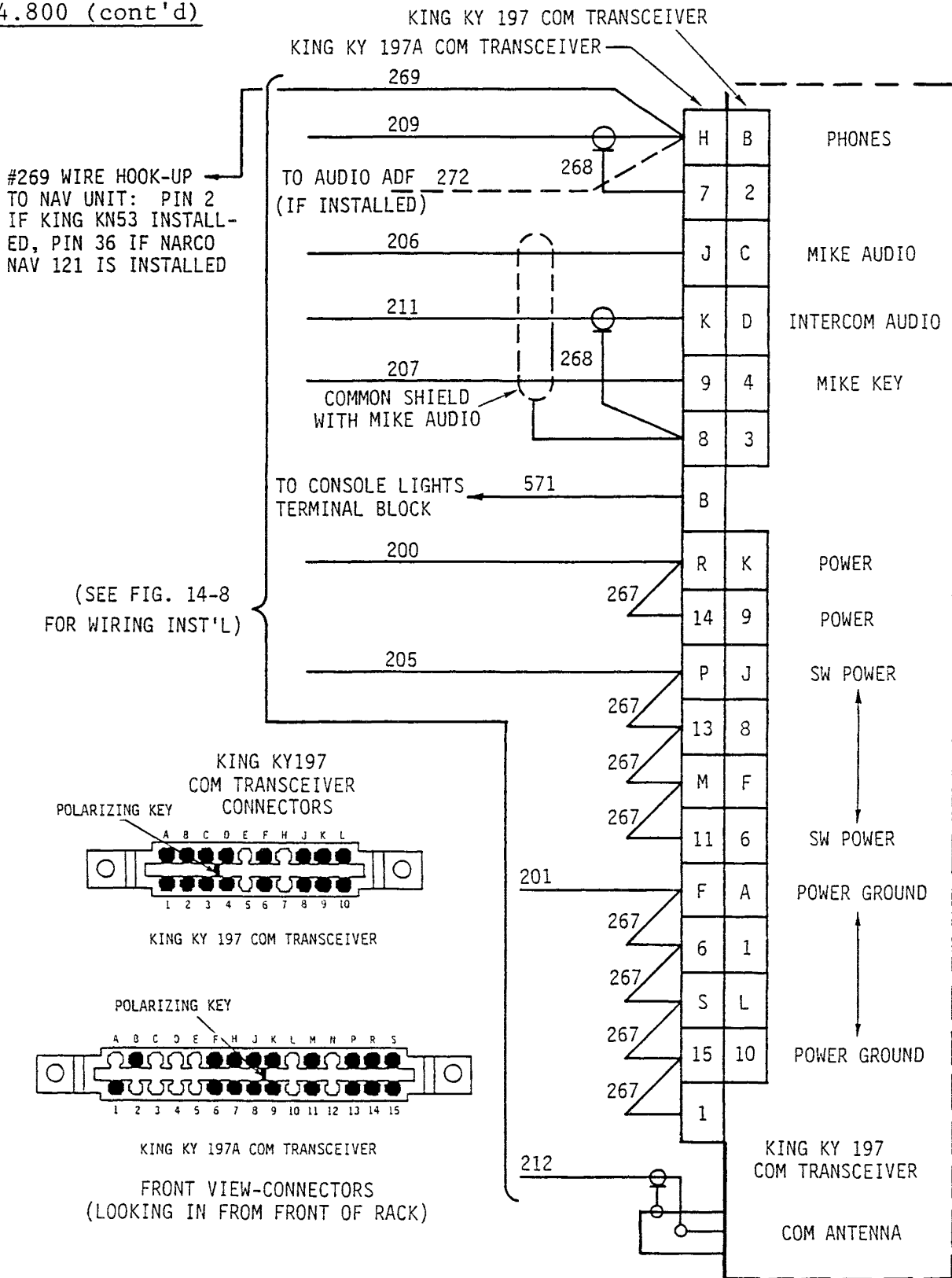


FIGURE 14-9 KING KY197/197A COM TRANSCEIVER

14.800 (cont'd)

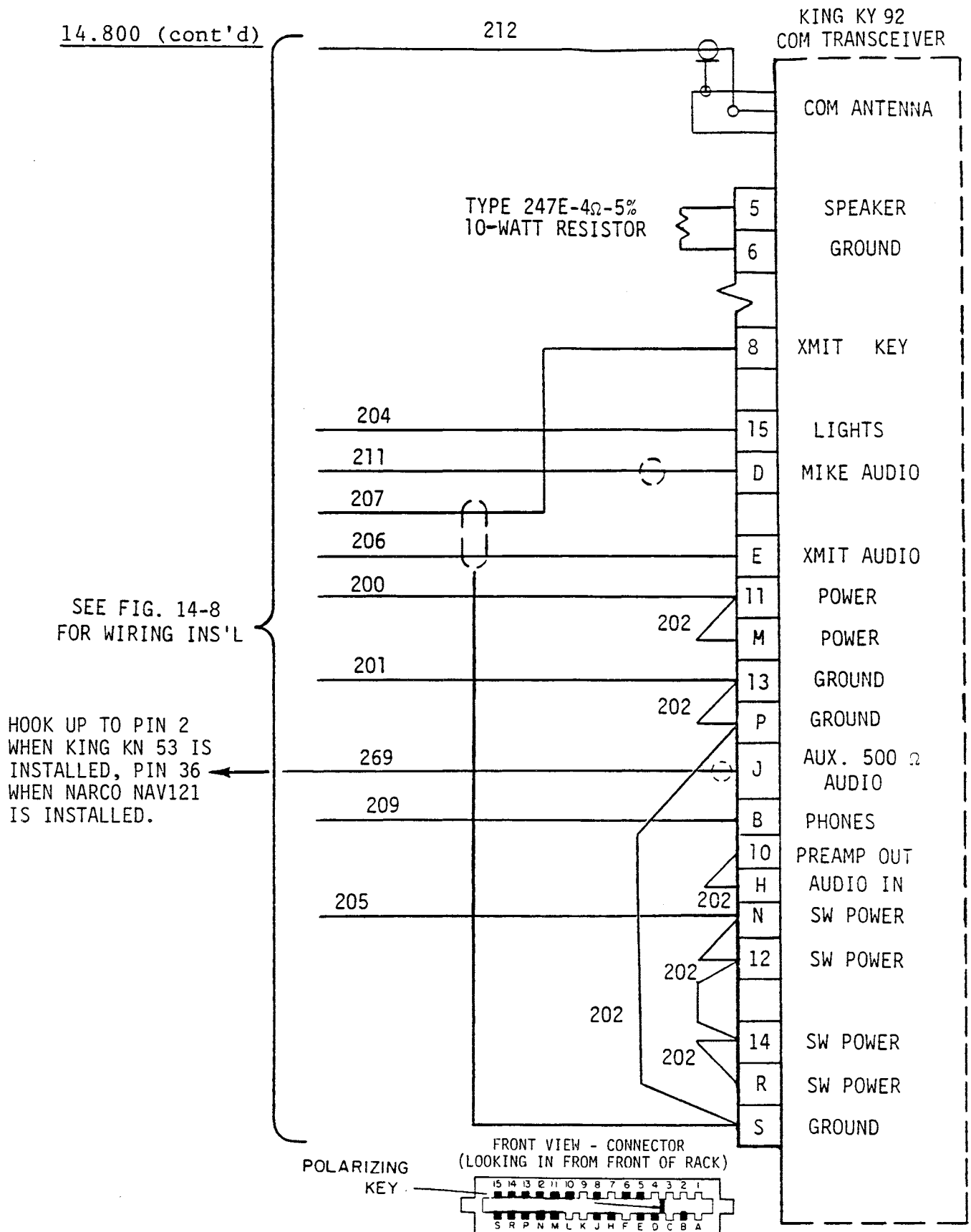


FIGURE 14-10 KING KY92 COM TRANSCEIVER

14.800 (cont'd)

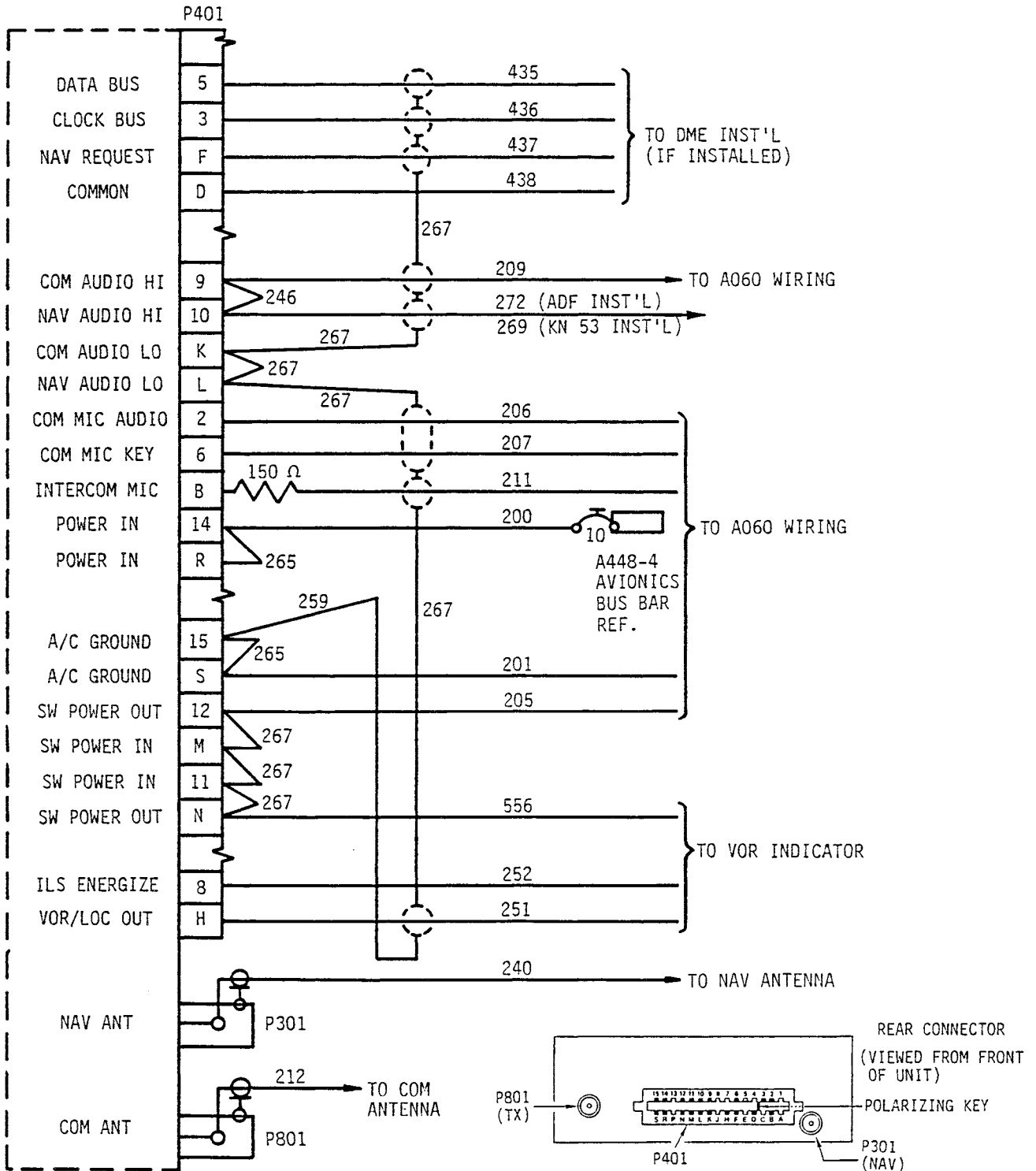


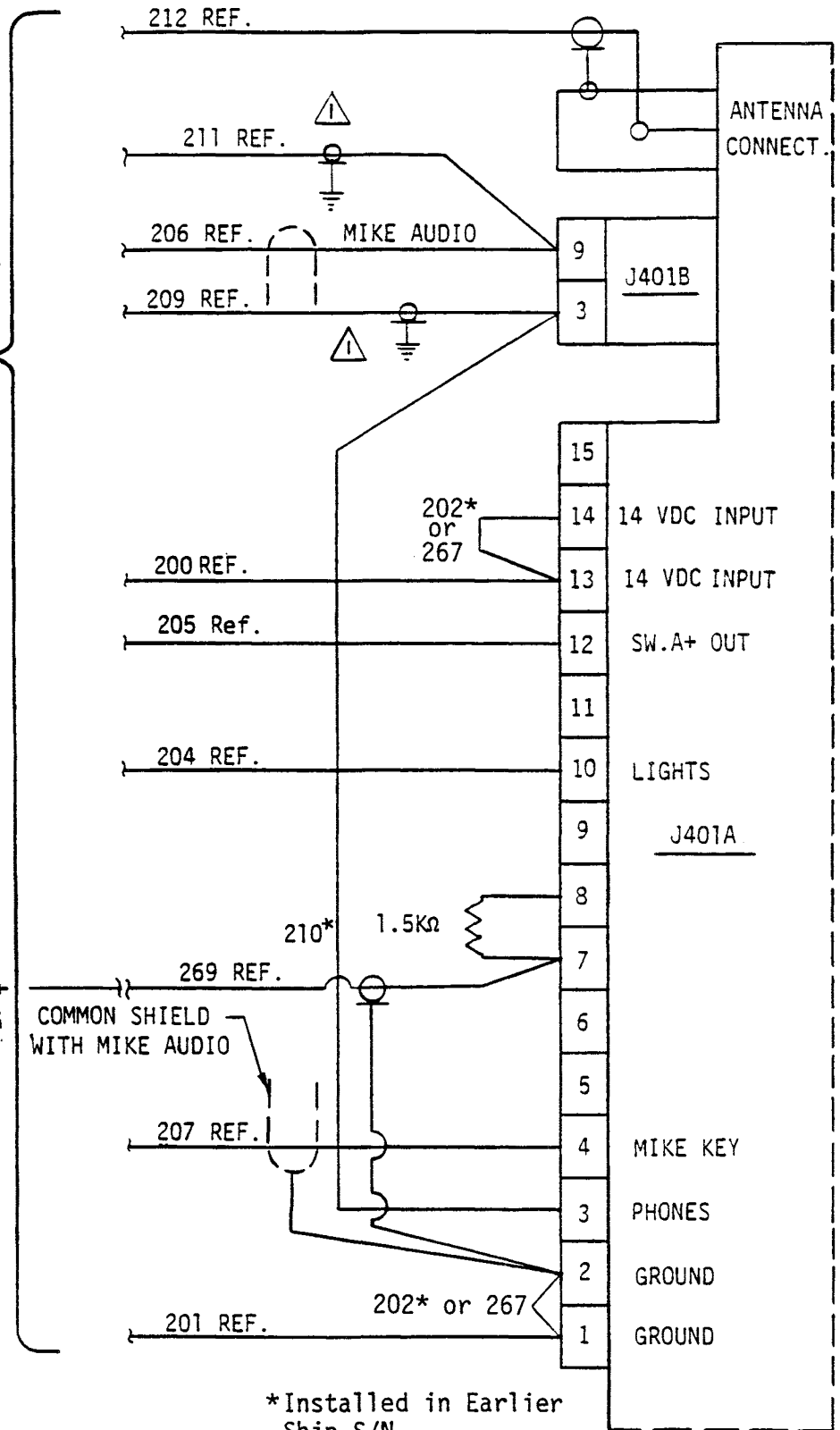
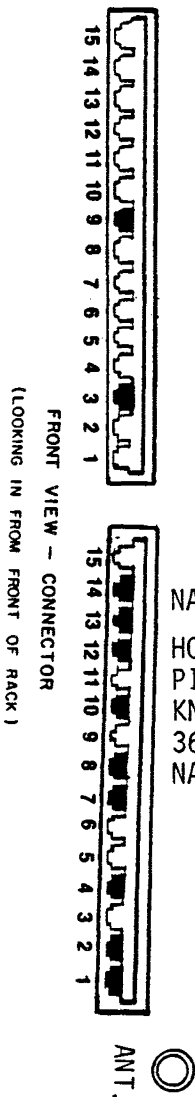
FIGURE 14-10A KING KX155 VHF NAV COM TRANSCEIVER

This page intentionally left blank.

14.800 (cont'd)

⚠ GROUND SHIELDS OF WIRES 209 & 211 TO PIN #2 OF RADIO.

SEE FIG. 14-8 FOR WIRING INST'L.

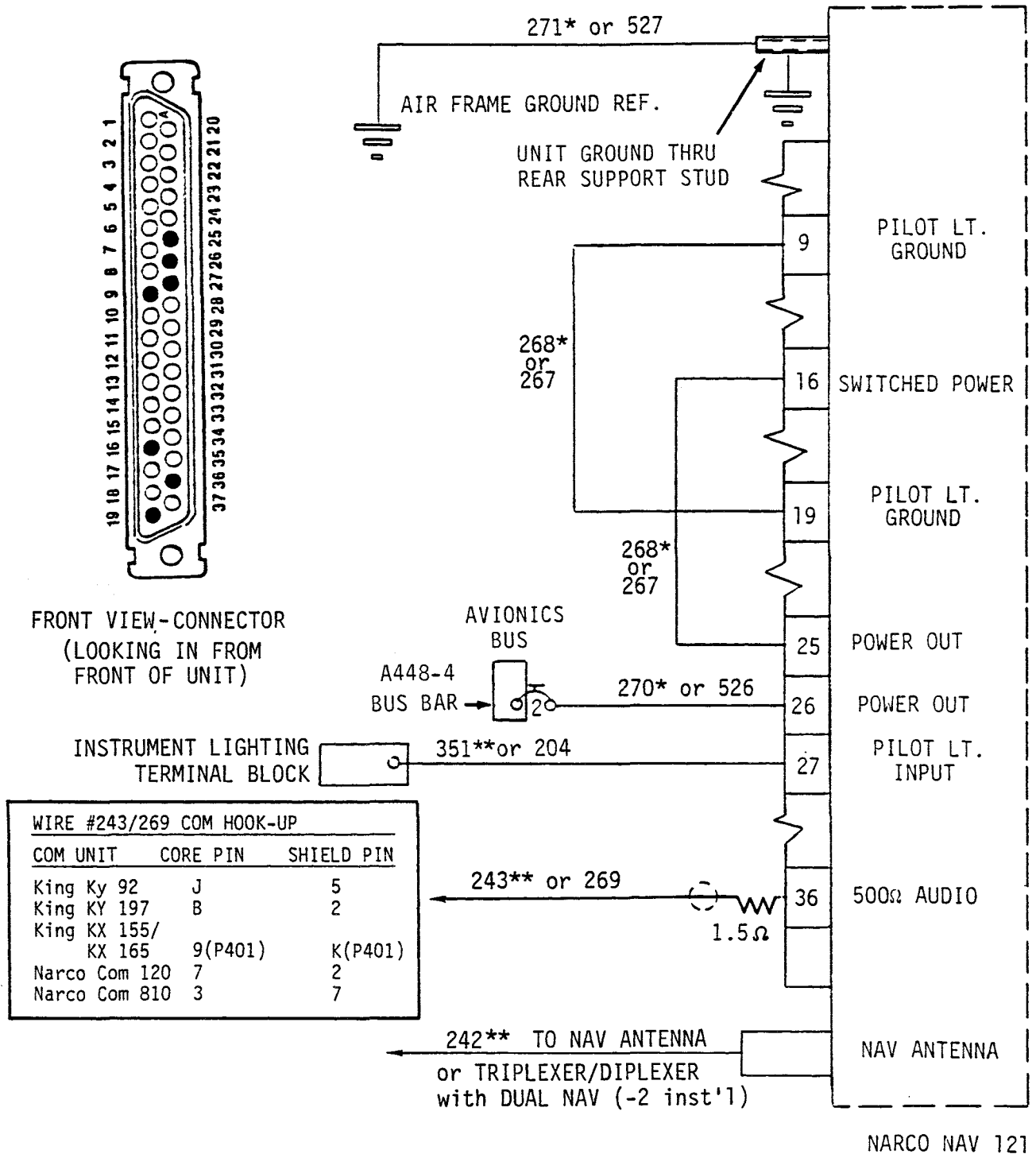


*Installed in Earlier Ship S/N.

FIGURE 14-11 NARCO COM 120 TRANSCEIVER

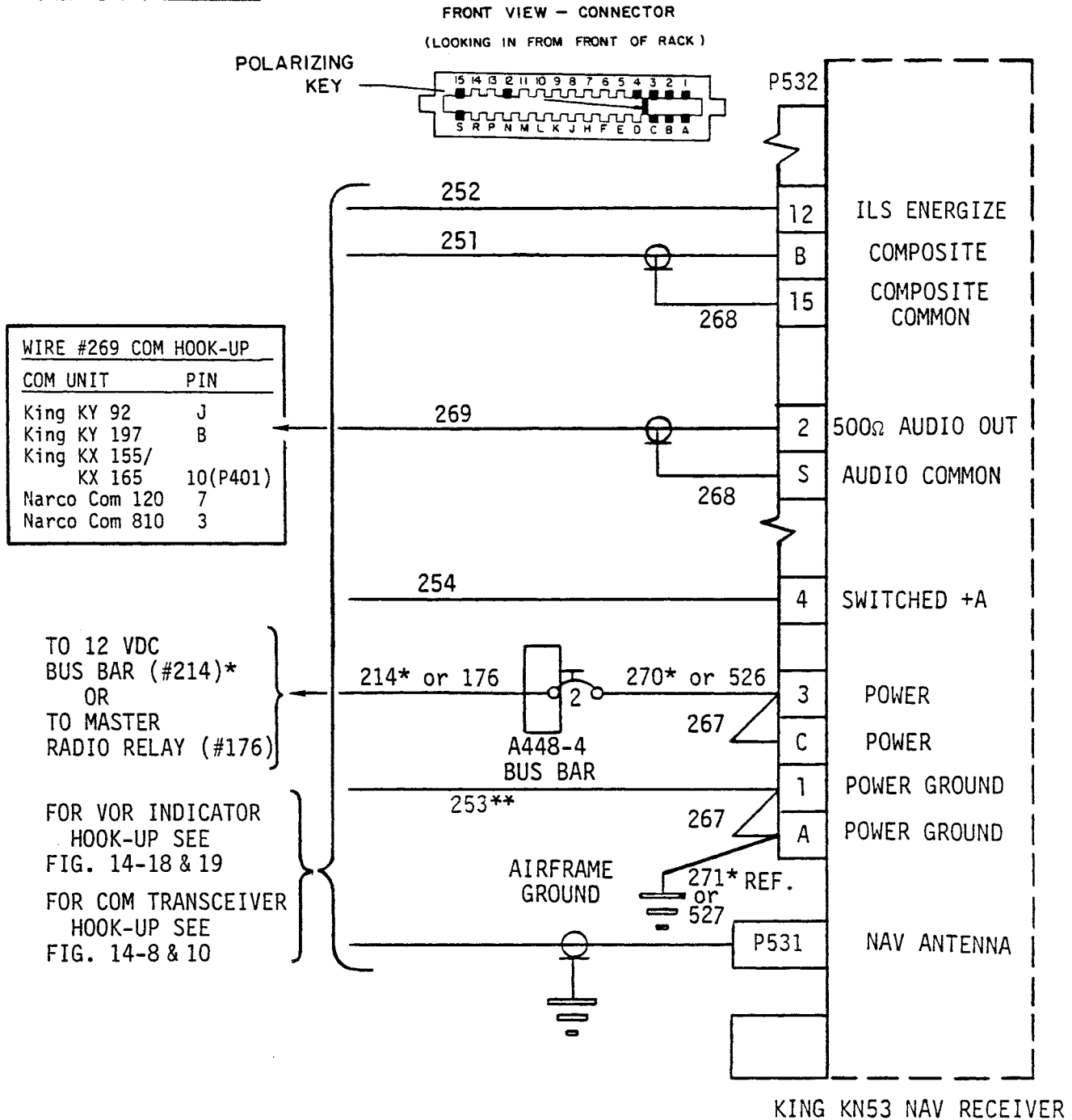
NARCO 120 COM TRANSCEIVER

14.800 (cont'd)



*Installed in earlier Ship S/N's.
 **10-Hole Upper Console

14.800 (cont'd)



*Installed in Earlier Ship S/Ns.
See Page 14.14-15

**Wire #253 excluded after 3-86.

FIGURE 14-13 KING KN53 NAV RECEIVER

14.800 (cont'd)

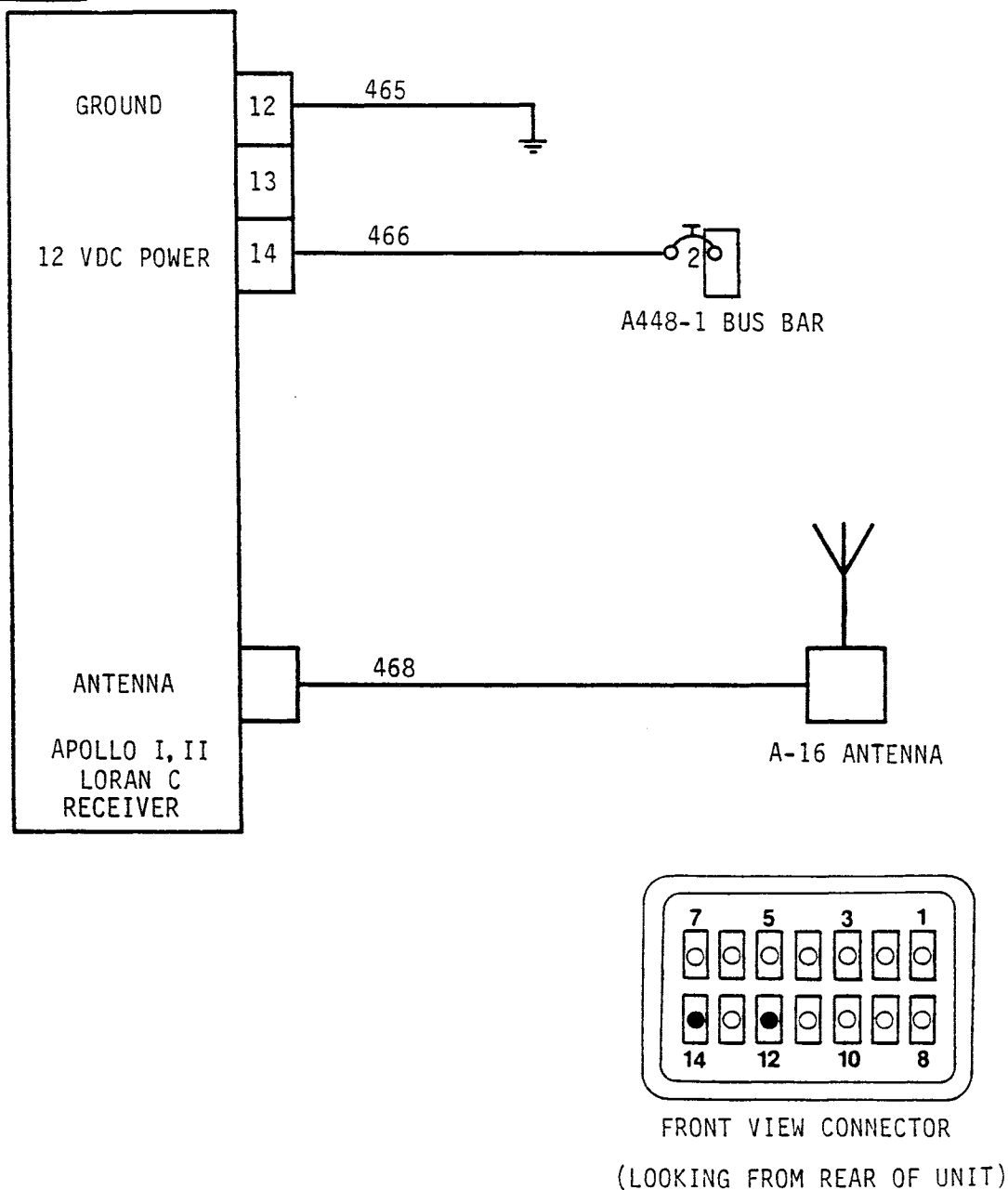
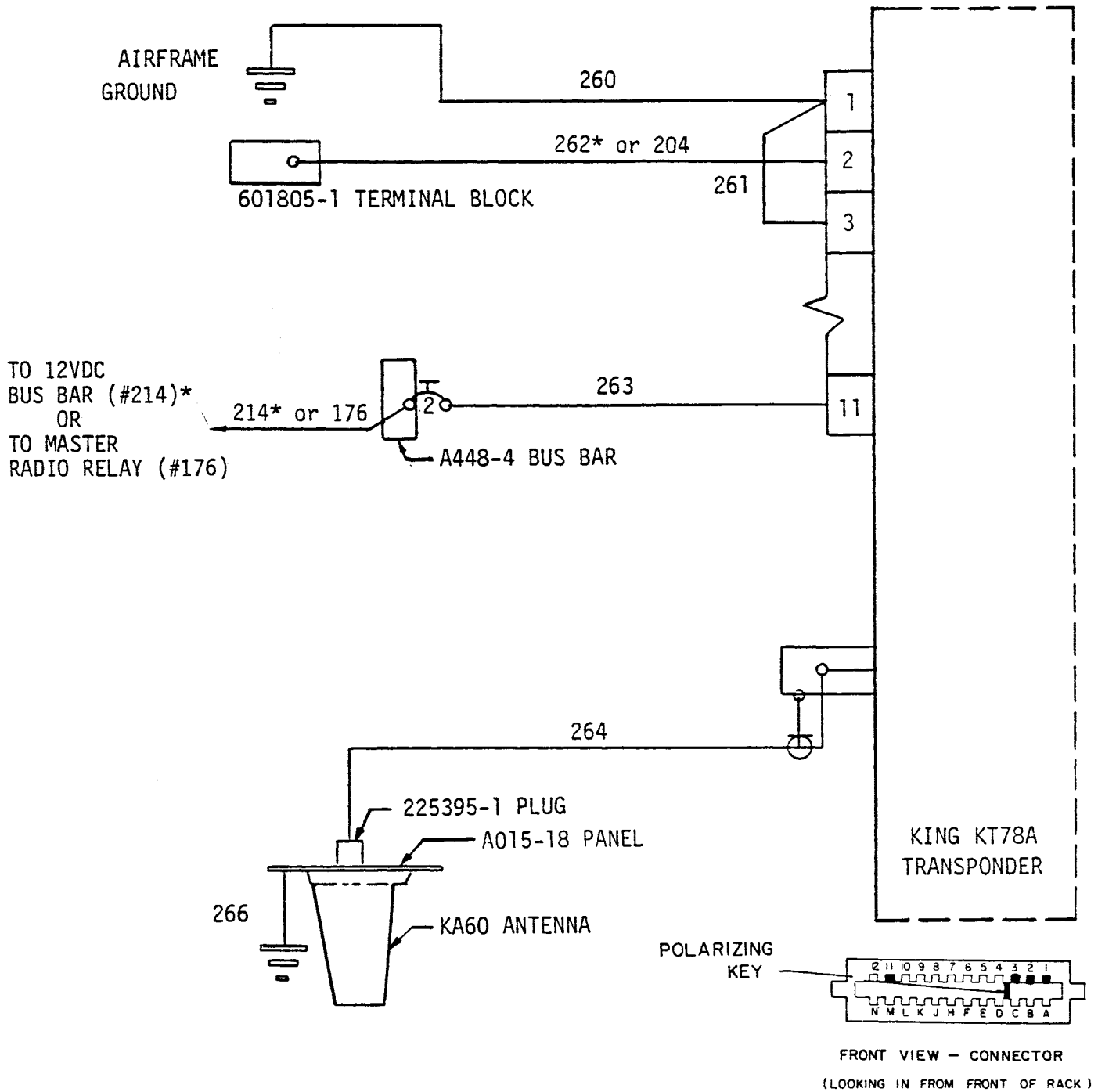


FIGURE 14-14 APOLLO I, II LORAN C RECEIVER

14.800 (cont'd)



*Installed in Earlier Ship S/N's
See Page 14.14-15

FIGURE 14-15 KING KT76A/78A TRANSPONDER

14.800 (cont'd)

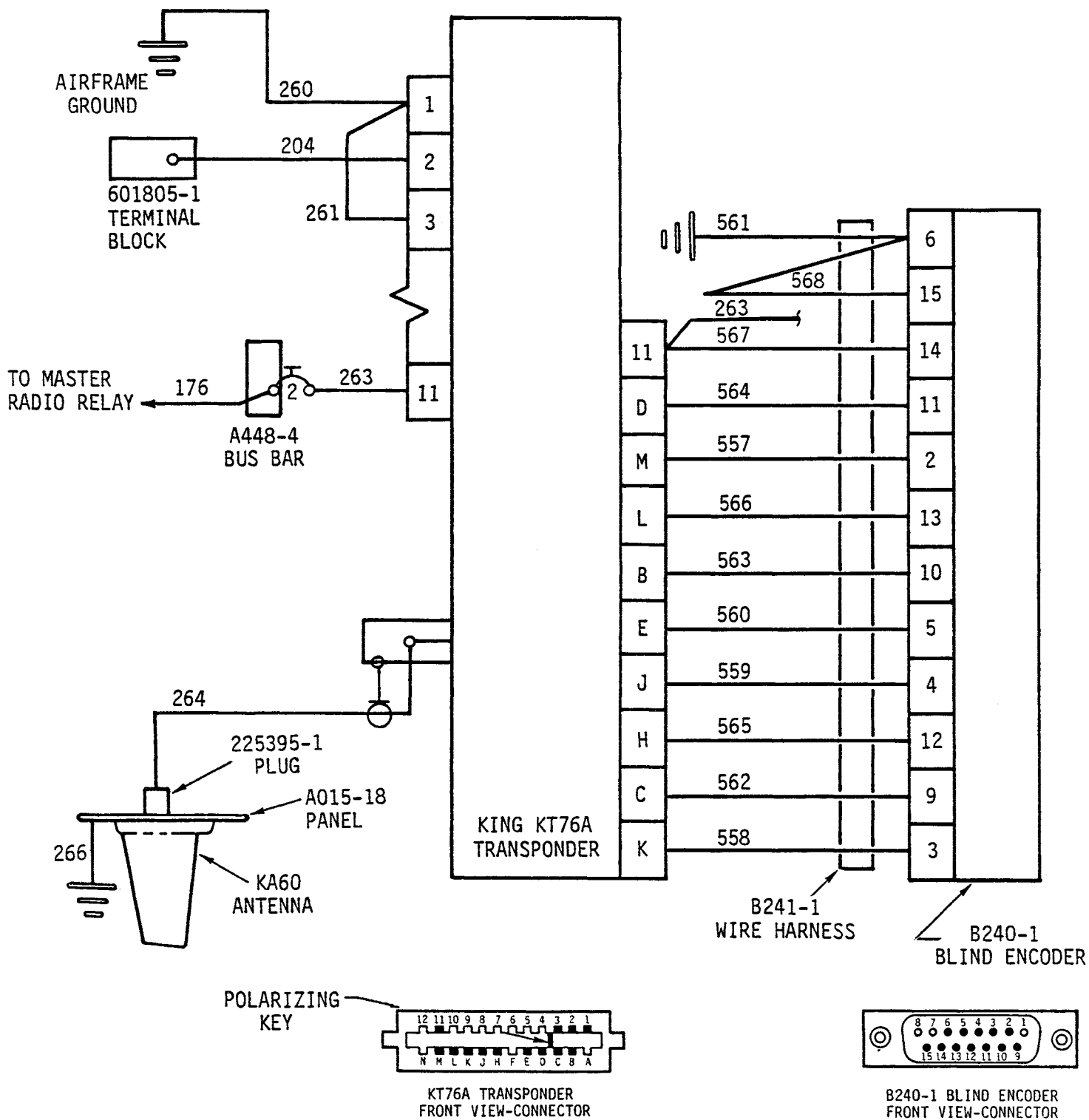
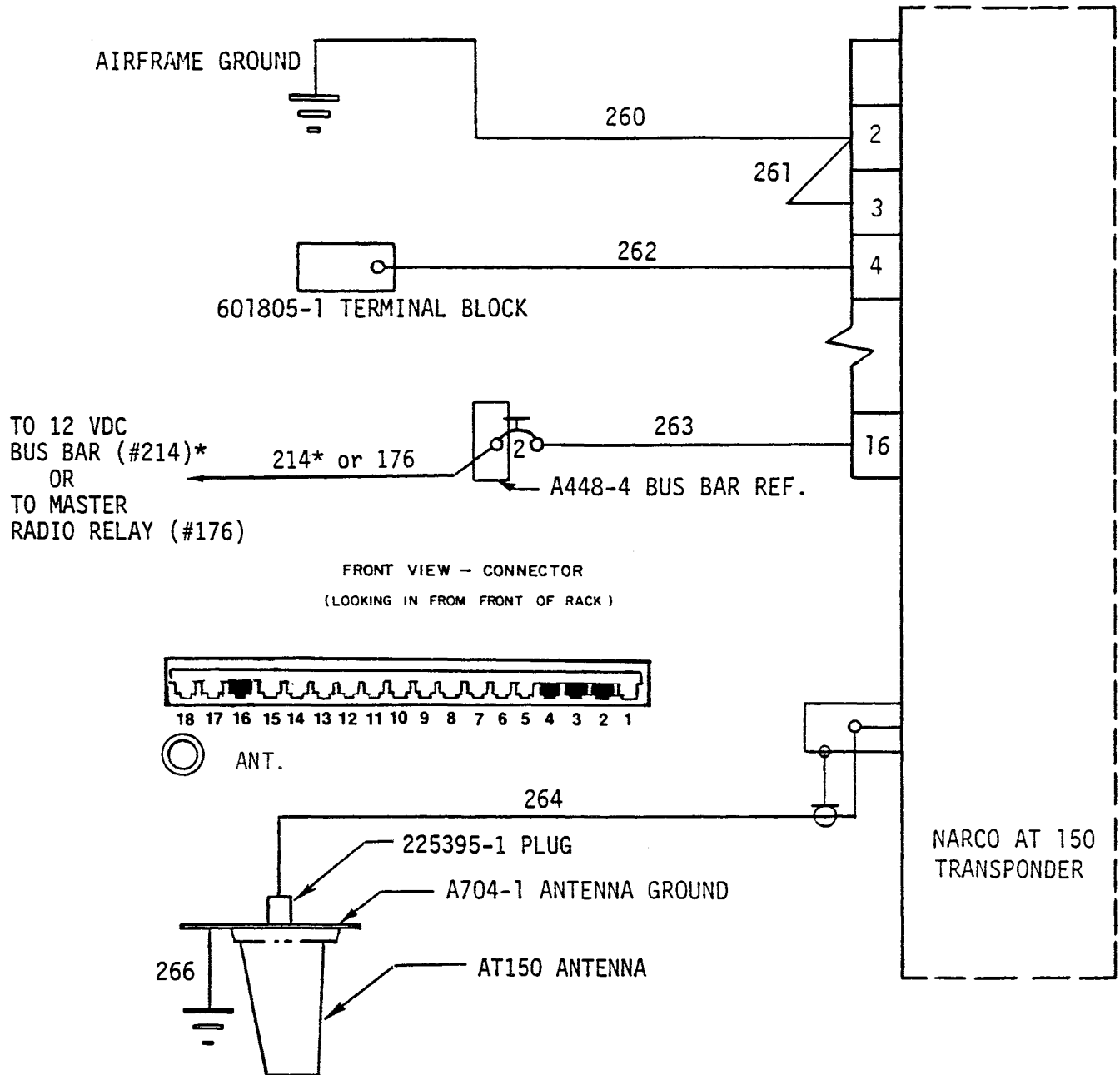


FIGURE 14-16 D120-P2-T BLIND ENCODER/DIGITIZER

14.800 (cont'd)

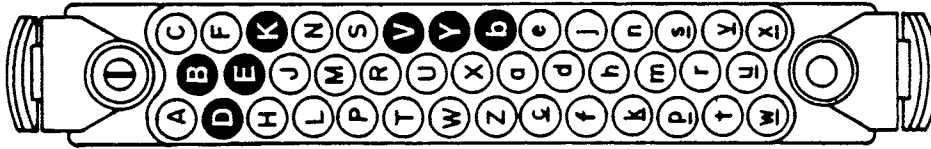


*Installed in Earlier Ship S/Ns. See Page 14.14-15

FIGURE 14-17 NARCO AT 150 TRANSPONDER

14.800 (cont'd)

FRONT VIEW - CONNECTOR
(LOOKING IN FROM FRONT OF RACK)



CONNECTOR PIN LOCATIONS

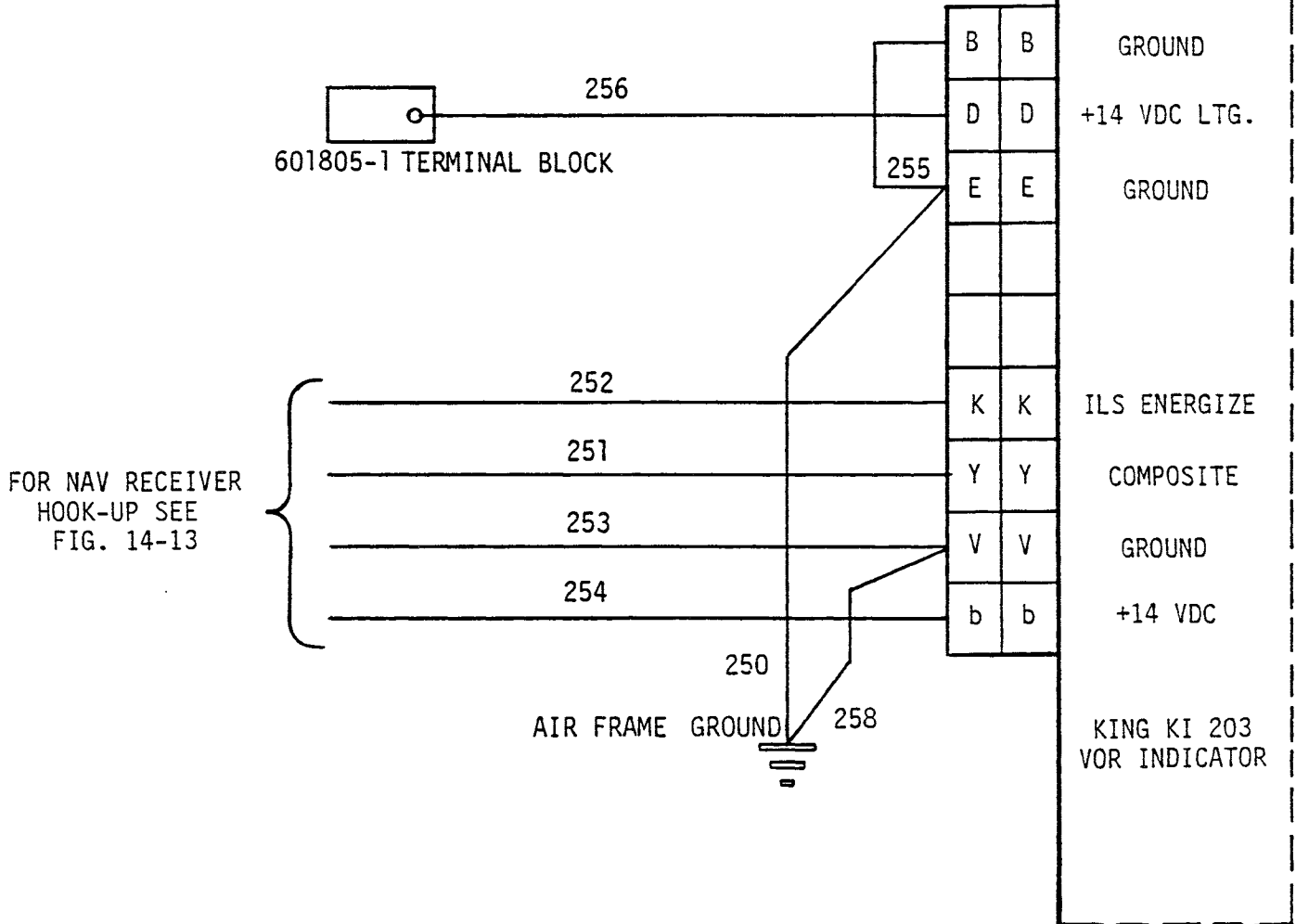


FIGURE 14-18 KING KI 203 VOR INDICATOR
(Installed Prior to 1/87)

14.800 (cont'd)

FRONT VIEW - CONNECTOR
(LOOKING IN FROM FRONT OF RACK)

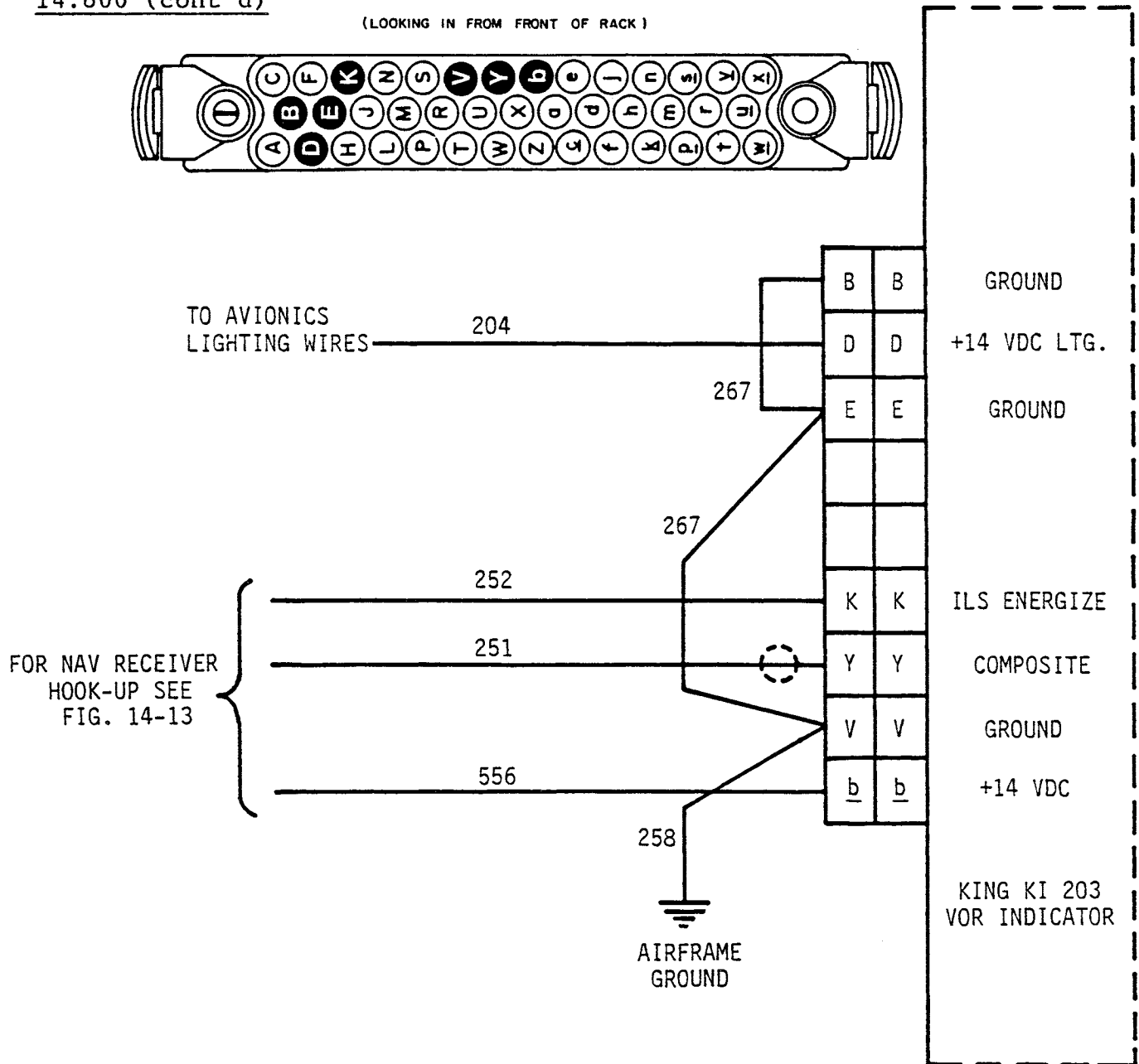


FIGURE 14-19 KING KI203 VOR INDICATOR
(Installed after 1/87)

14.800 (cont'd)

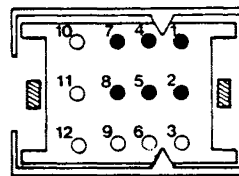
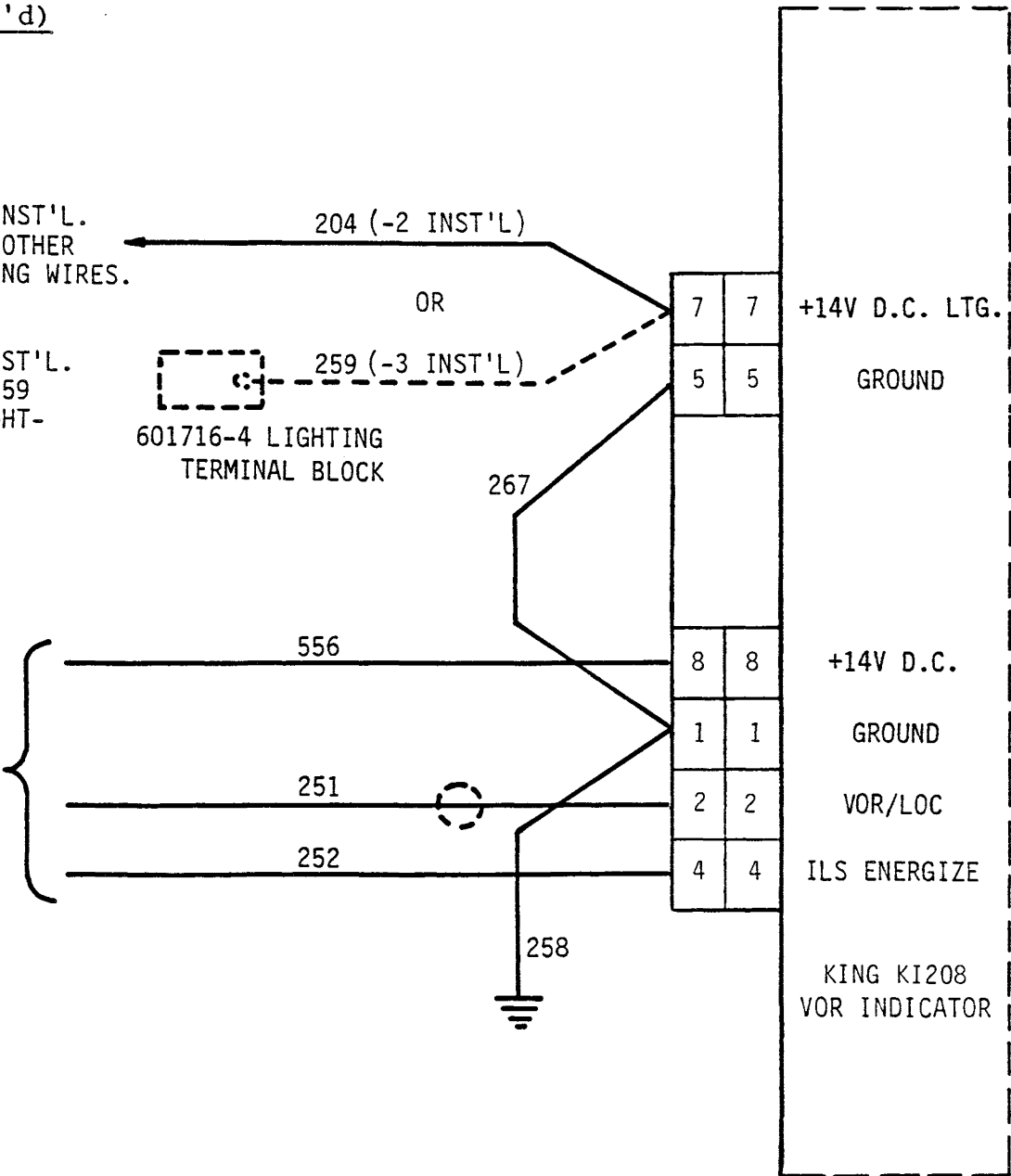
FOR AVIONICS PANEL INST'L.
(A805-2), JUMPER TO OTHER
#204 AVIONICS LIGHTING WIRES.

OR

FOR UPPER CONSOLE INST'L.
(A805-3), CONNECT #259
WIRE TO 601716-4 LIGHT-
ING TERMINAL BLOCK.

204 (-2 INST'L)
OR
259 (-3 INST'L)
601716-4 LIGHTING
TERMINAL BLOCK

FOR NAV RECEIVER
HOOK-UP SEE
FIG. 14-13



FRONT VIEW CONNECTOR
(LOOKING FROM INDICATOR)

FIGURE 14-20 KING KI 208 VOR INDICATOR

14.800 (cont'd)

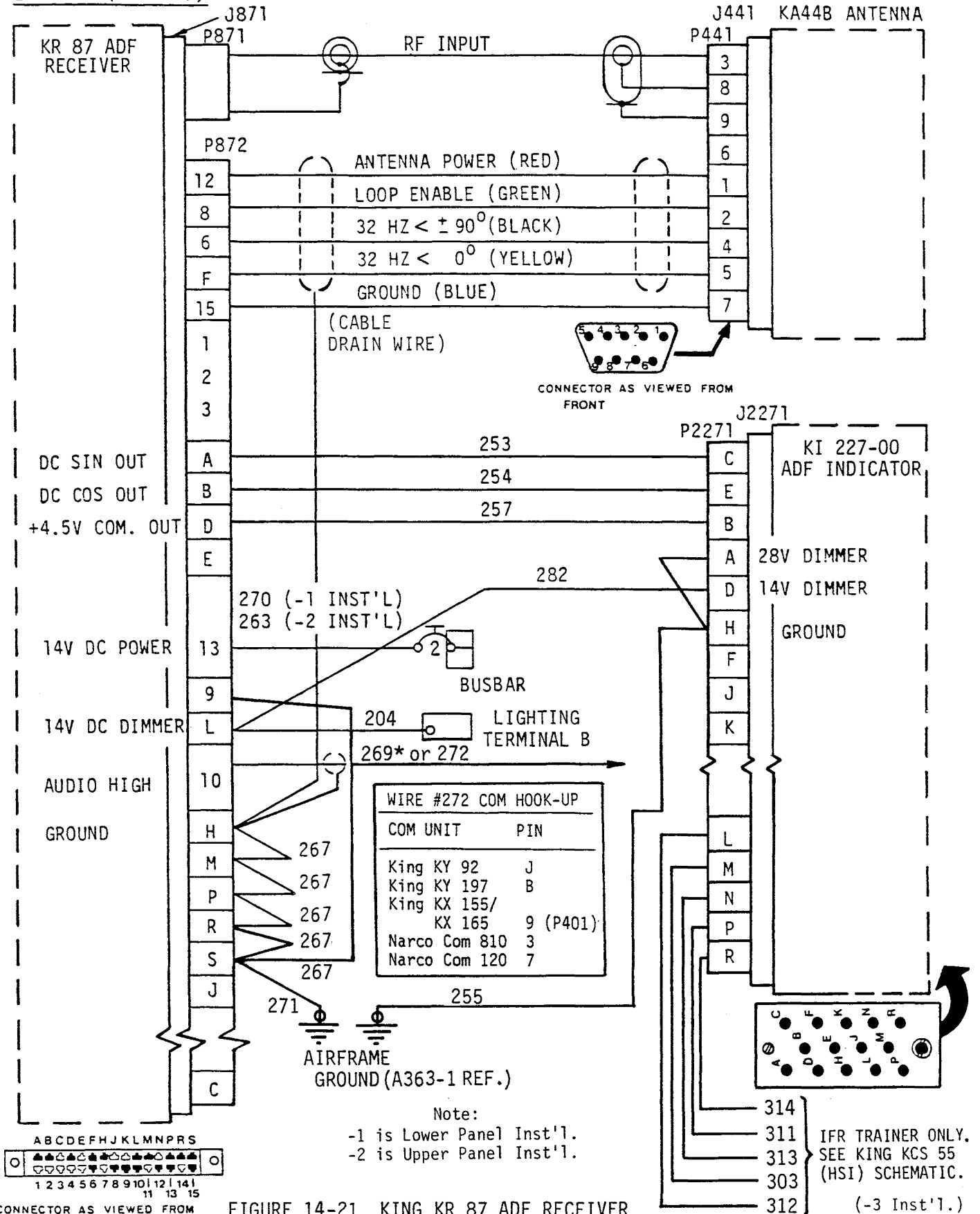
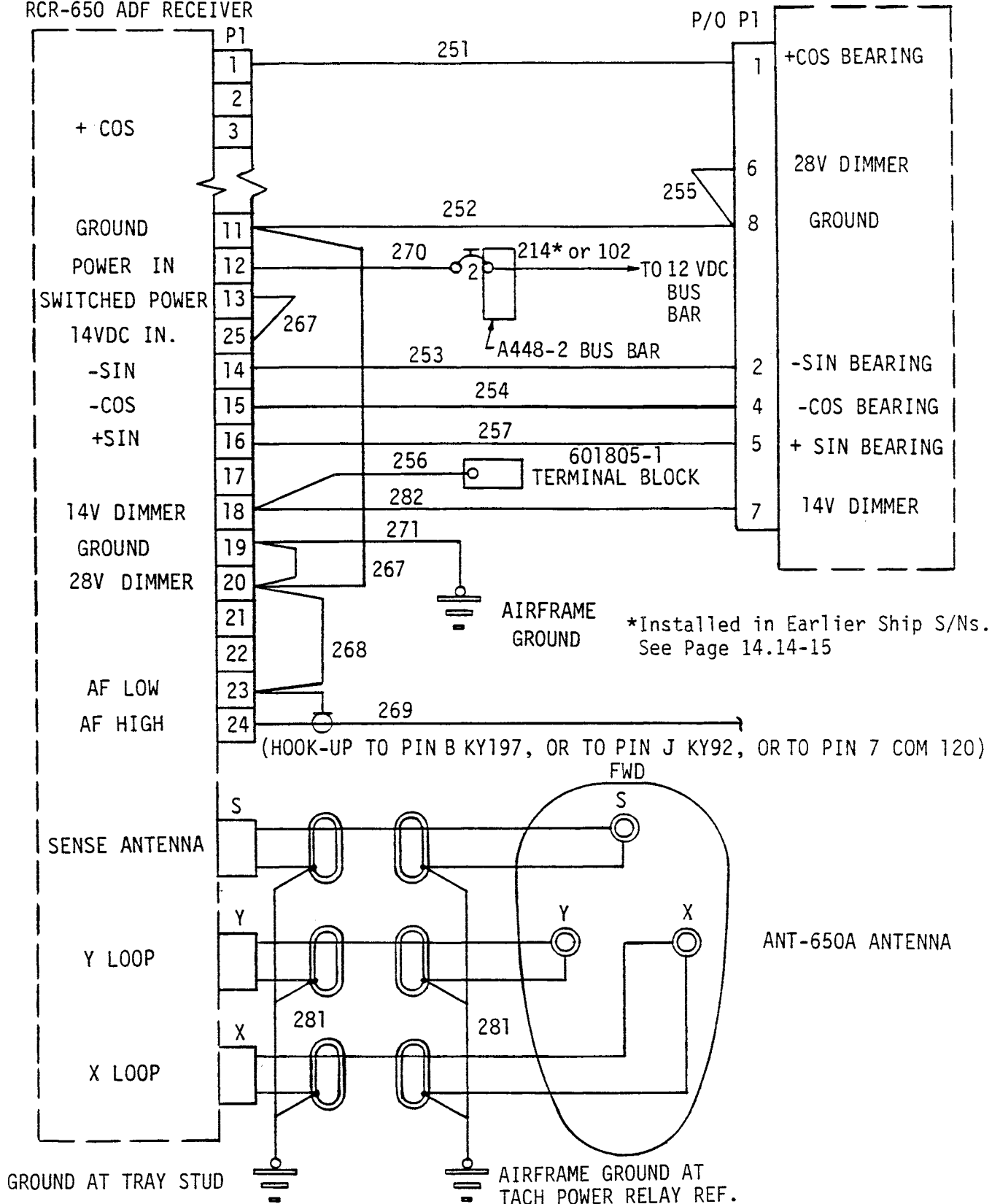


FIGURE 14-21 KING KR 87 ADF RECEIVER

14.800 (cont'd)

RCR-650 ADF RECEIVER

IND-650A ADF INDICATOR



14.800 AVIONICS SCHEMATICS (cont'd)

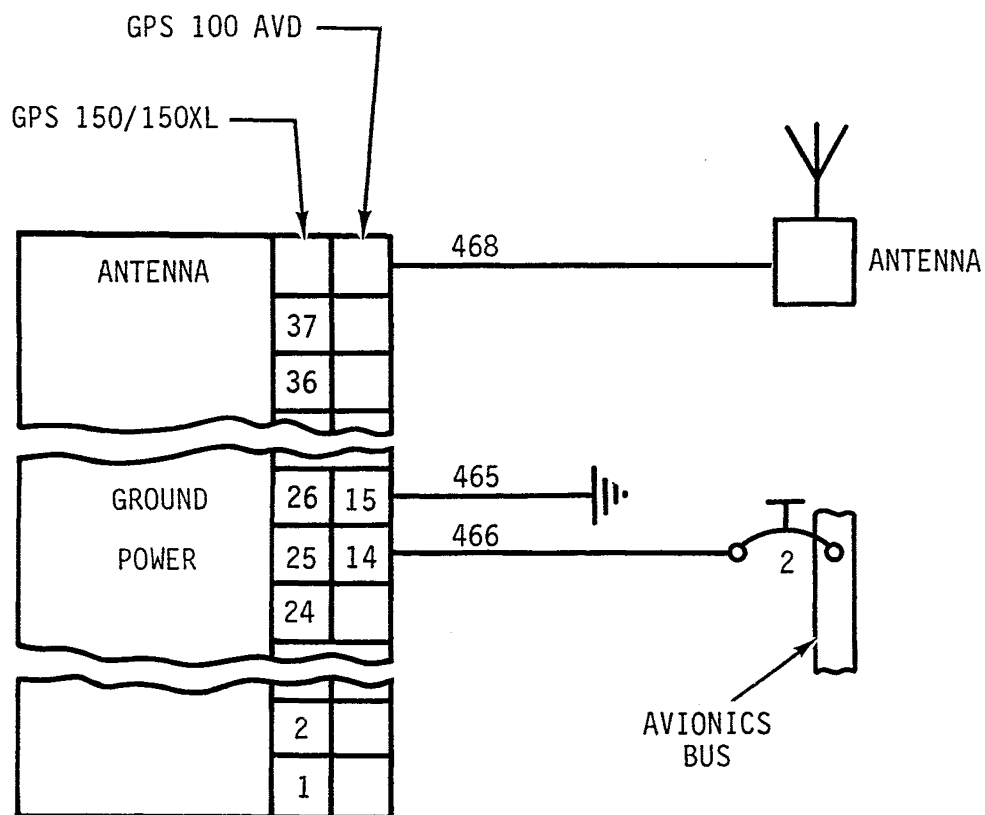


FIGURE 14-22A
GARMIN GPS 100, 150, and 150XL
SCHEMATIC

14.800 AVIONICS SCHEMATICS (cont'd)

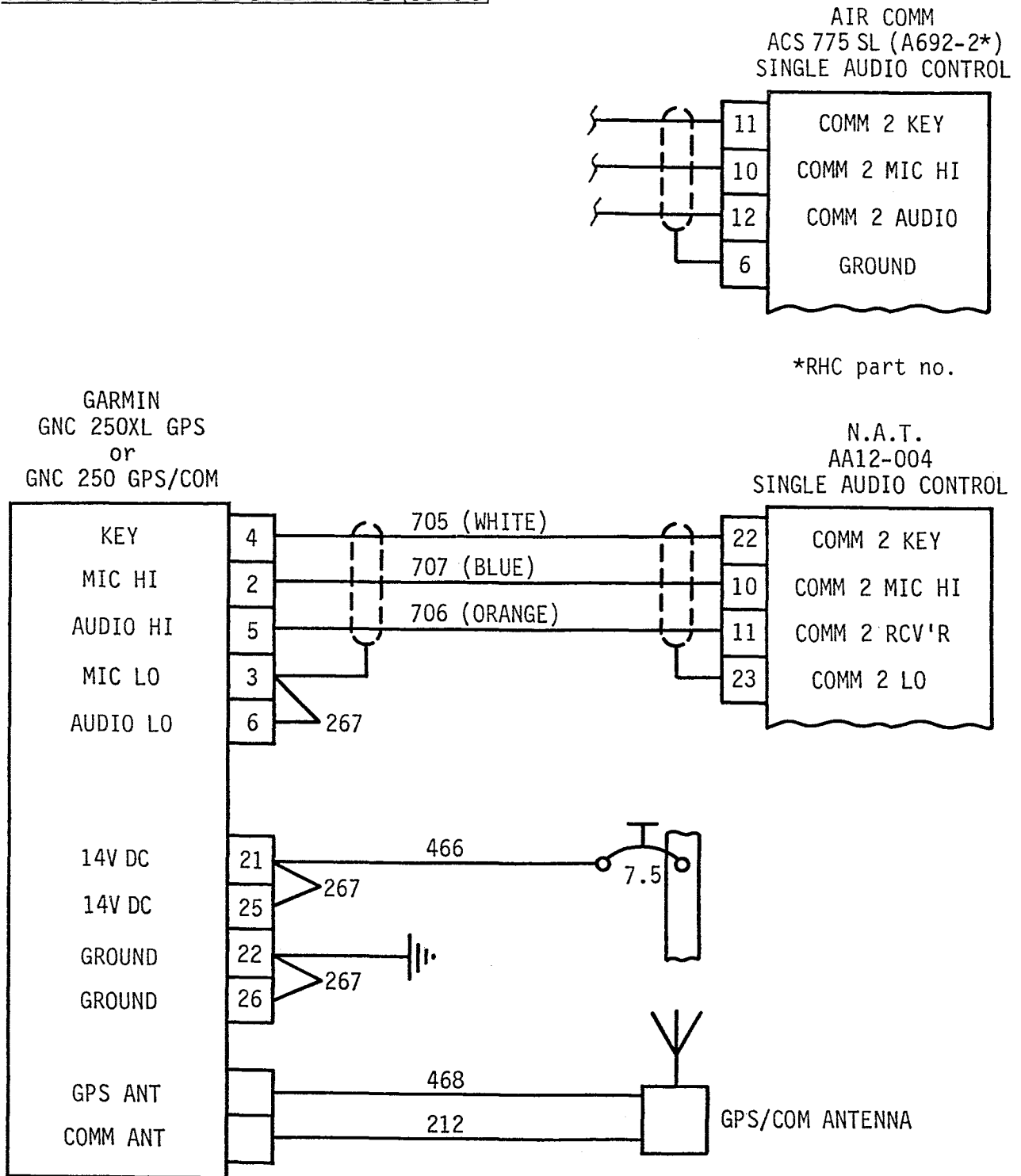


FIGURE 14-22B

GARMIN
GNC 250XL GPS and GNC 250 GPS/COM
SCHEMATIC

14.800 AVIONICS SCHEMATICS (cont'd)

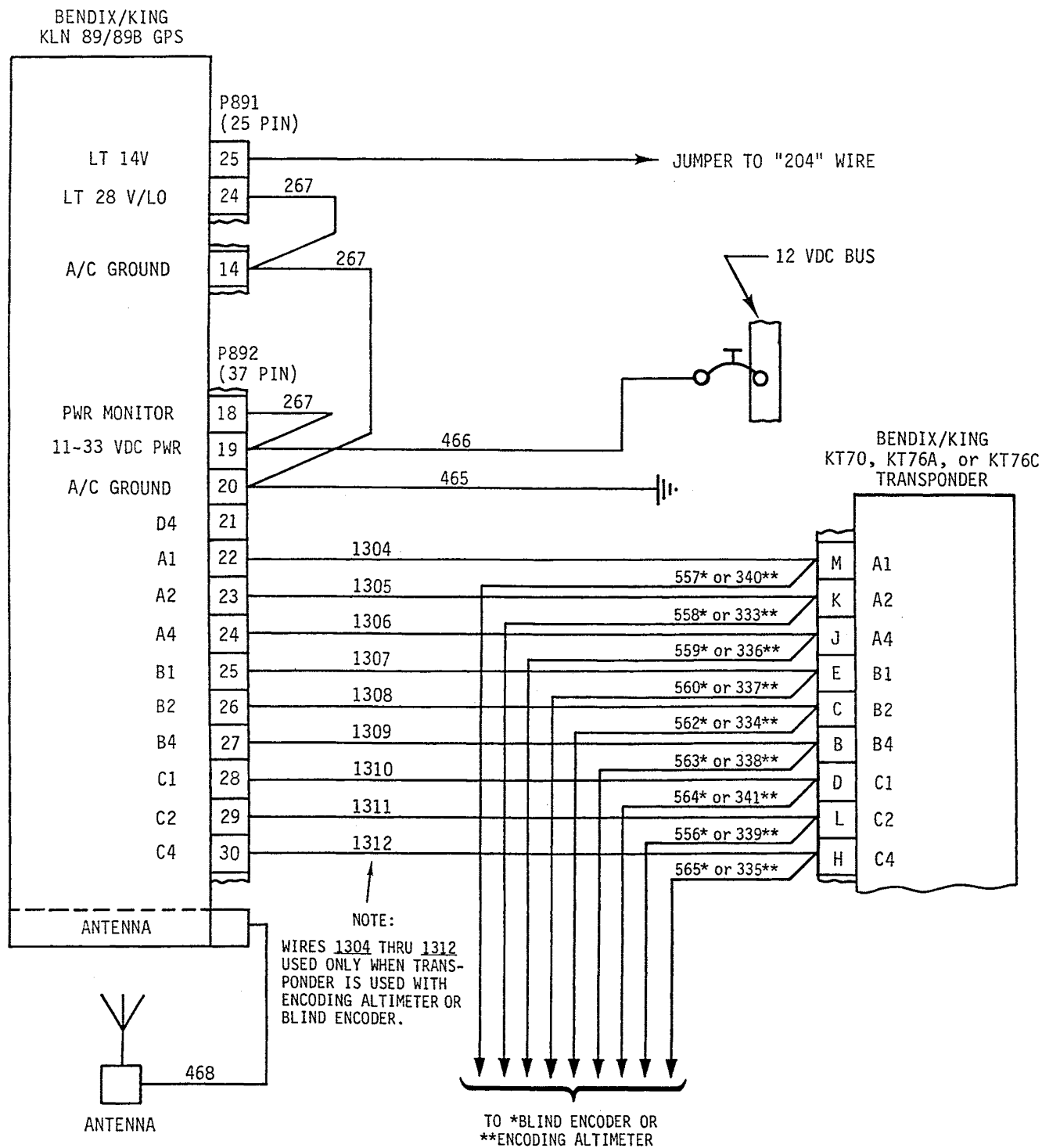
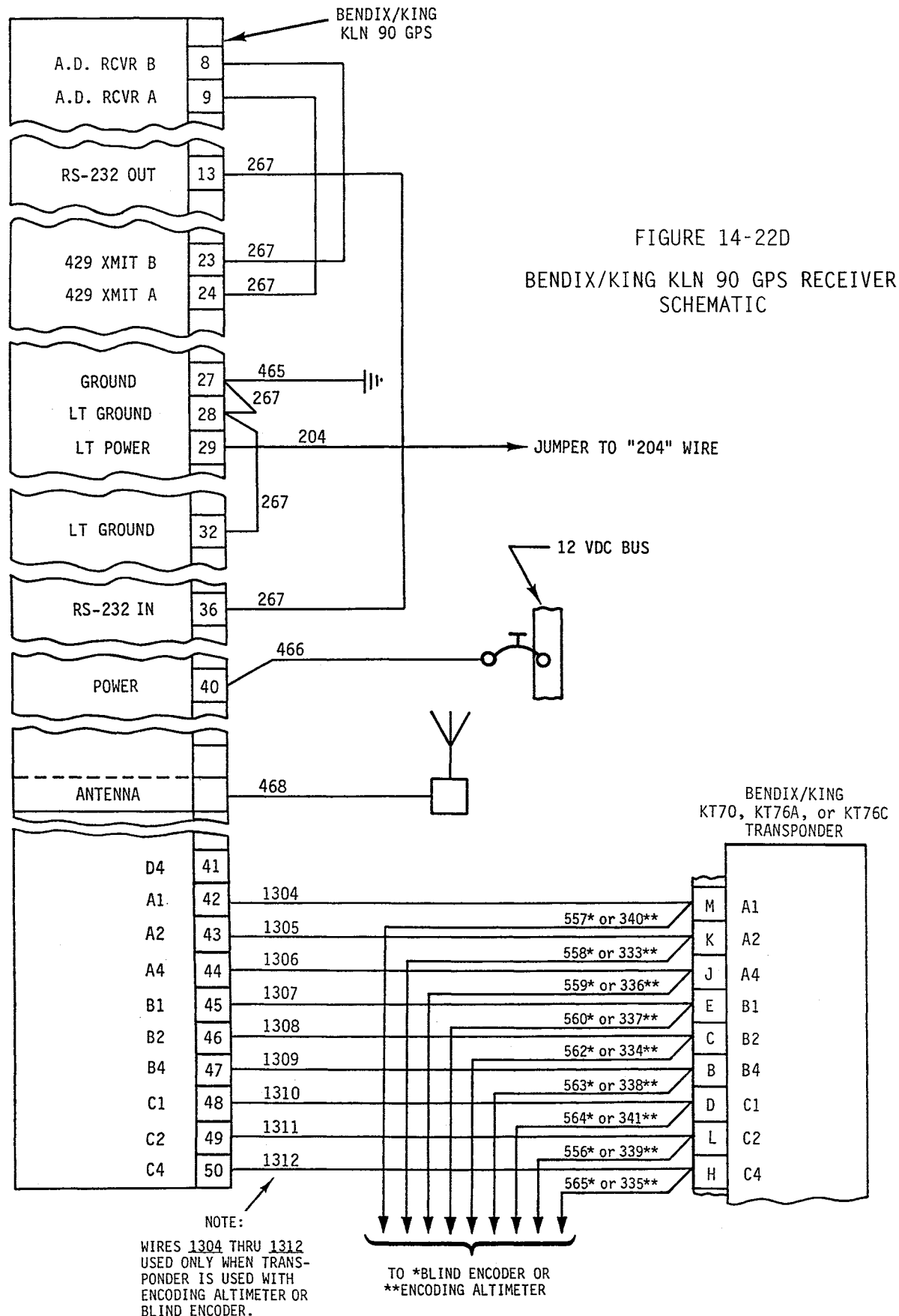


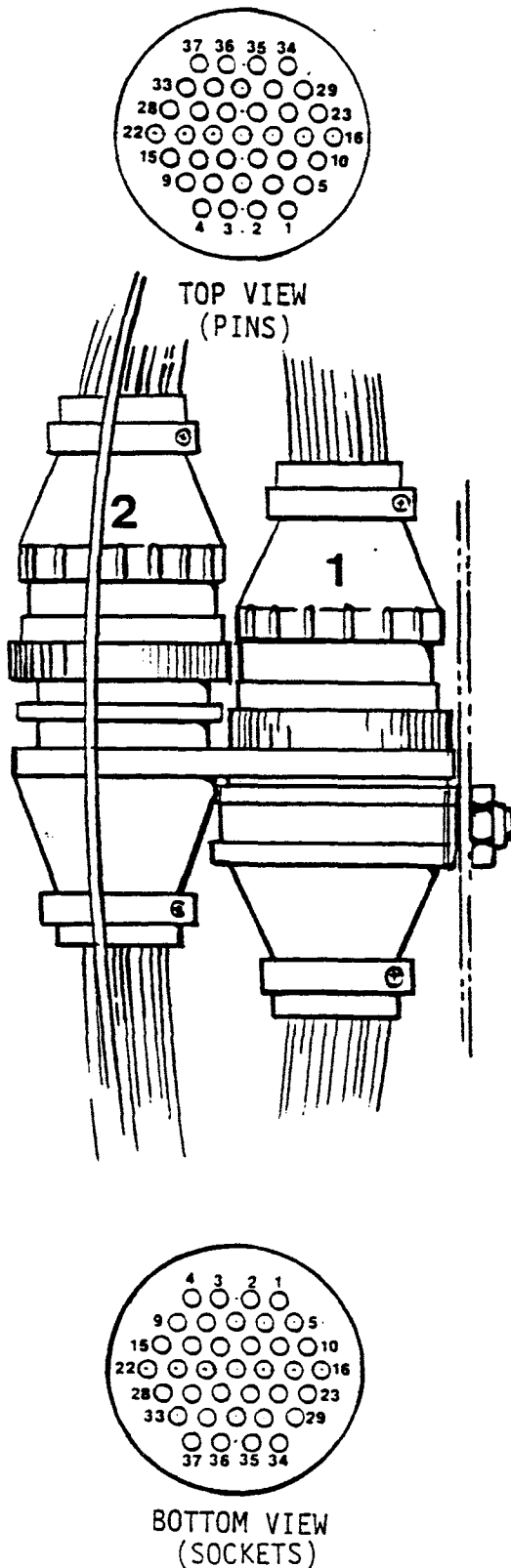
FIGURE 14-22C

BENDIX/KING KLN 89/89B GPS RECEIVER
SCHEMATIC

14.800 AVIONICS SCHEMATICS (cont'd)



14.900 UPPER CONSOLE HARNESS PLUGS (STANDARD & HP)



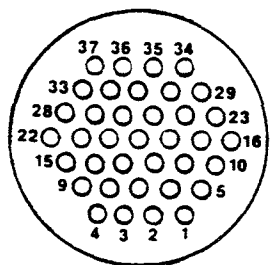
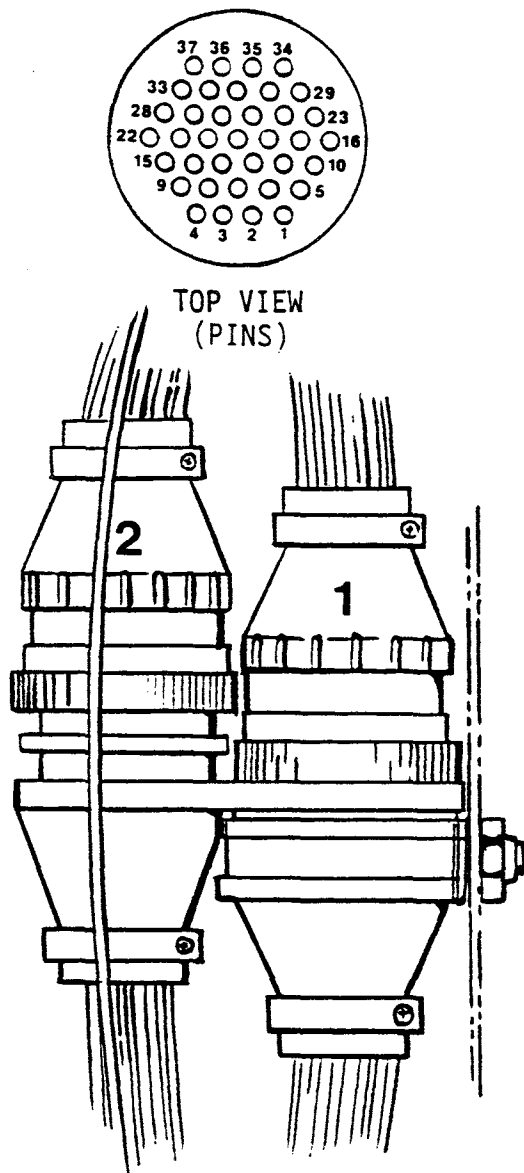
CONNECTOR 1	
PIN NO.	WIRE NO.
1	A059-2
2	A059-3
3	
4	A059-5
5	A059-6
6	A059-9
7	A059-10
8	A059-11
9	A059-12
10	A059-13
11	A059-15
12	A059-16
13	A059-17
14	A059-18
15	A059-19
16	A059-31
17	A059-34
18	A059-128
19	A059-129
20	A059-38
21	Spare
22	Spare
23	Spare
24	Spare
25	Spare
26	Spare
27	Spare
28	A059-52
29	A059
30	Spare
31	A059-58
32	A059-167
33	A059-65
34	A059-164
35	A059-67
36	A059-166
37	

CONNECTOR 2	
PIN NO.	WIRE NO.
1	Spare
2	A039-104
3	A039-105
4	A039-106
5	A039-107
6	Spare
7	A059-163
8	A052-127
9	A040-70
10	A040-71
11	A040-72
12	A040-74
13	A040-75
14	A040-76
15	A040-83
16	A040-81
17	A040-82
18	A040-80
19	A040-84
20	Spare
21	Spare
22	Spare
23	Spare
24	A053-89
25	*
26	A060-204
27	Spare
28	Spare
29	Spare
30	Spare
31	Spare
32	Spare
33	Spare
34	Spare
35	Spare
36	Spare
37	Or Avionics

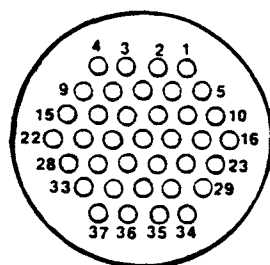
* INSTALL DRAIN WIRE OF THREE-CONDUCTOR CABLE (WIRES -80,-81,-82) AT NOTED PIN.

FIGURE 14-23 UPPER CONSOLE HARNESS PLUGS

14.900 UPPER CONSOLE HARNESS PLUGS (ALPHA & SUBSEQUENT)



TOP VIEW (PINS)



BOTTOM VIEW (SOCKETS)

CONNECTOR 1	
PIN NO.	WIRE NO.
1	A059-2
2	A059-3
3	Spare
4	A059-5
5	A059-6
6	A059-9
7	A059-10
8	A059-11
9	A059-12
10	A059-13
11	A059-15
12	A059-16
13	A059-17
14	A059-18
15	A059-19
16	A059-31
17	A059-34
18	A059-128
19	A059-129
20	A059-38
21	Spare
22	B043-416
23	A059-513
24	Spare
25	Spare
26	Spare
27	Spare
28	A059-52
29	Spare
30	Spare
31	A059-58
32	Spare
33	A059-65
34	A059-164
35	Spare
36	A059-166
37	Spare

CONNECTOR 2	
PIN NO.	WIRE NO.
1	A059-199
2	A039-104
3	A039-105
4	A039-106
5	A039-107
6	A059-101
7	A059-163
8	A052-127
9	A040-70
10	A040-71
11	A040-72
12	A040-74
13	A040-75
14	A040-76
15	A040-83
16	A040-81
17	A040-82
18	A040-80
19	A040-84
20	Spare
21	Spare
22	Spare
23	Spare
24	Spare
25	*
26	A060-204
27	A059-28
28	A059-66
29	A059-67
30	A053-90
31	A053-91
32	A053-94
33	A053-95
34	Spare
35	A039-138
36	Spare
37	Spare

* INSTALL DRAIN WIRE OF THREE-CONDUCTOR CABLE (WIRES -80,-81,-82) AT NOTED PIN.

FIGURE 14-23A UPPER CONSOLE HARNESS PLUGS

14.1000 IFR TRAINER

14.1010 IFR Trainer Component Loads

Continuously-Powered Equipment:

<u>Power & Accessories</u>	<u>Part Number</u>	<u>Qty.</u>	<u>Max. Amps Each</u>	<u>Total Amps</u>
Battery relay	70-906	1	.75	.75
Alternator control	VR418-1	1	4.0	4.0
Master radio relay	W389CX-2	1	.13	.13
<u>Night Lights</u>				
Anti-Collision light	A470	1	3.2	3.2
Position lights	A7512/1777	3	2.2	6.6
Instrument lights	330	9	.08	.72
<u>Instruments</u>				
Engine gage cluster	A617/B144	1	.50/60	.50/60
Dual tachometer	A792-1	1	.10	.10
Hourmeter	773	1	.03	.03
Carb Air temp	A604	1	.13	.13
Ammeter shunt	MLS-60-100	1	.50	.50
Digital OAT gage	310-2	1	.13	.13
<u>Miscellaneous</u>				
Heater blower	A643-1	1	7.5	7.5
			TOTAL = 24.29	

Complete Avionics Panel for Instrument Trainer

COM/NAV Receiver	KX165	1	.70	.70
NAV Receiver	NAV121	1	.87	.87
Transponder	KT76A	1	1.80	1.80
ADF	KR87	1	1.24	1.24
Horizon ref ind	AIM500	1	1.80	1.80
Marker beacon	KR22	1	.50	.50
Turn coordinator	303700	1	.50	.50
Encoding altimeter	KE127	1	.12	.12
HSI	KI525A	1	.23	.23
Gyro	KG102A	1	3.0	3.0
			TOTAL = 10.76	

14.1010 IFR Trainer Component Loads (cont'd)

Intermittently-Powered Equipment:

<u>Starting Accessories</u>	<u>Part Number</u>	<u>Qty.</u>	<u>Max Amps Each</u>	<u>Total Amps</u>
Starter relay	SAZ4201E	1	4.5	4.5
Starting vibrator	10-176487-121	1	2.5	2.5
Starter motor	MZ4224	1	150	150
 <u>Drive System</u>				
Belt tension actuator	5A505-3	1	1.2	1.2
 <u>Lights</u>				
Warning lights	330	8	.08	.64
Landing lights	4509	2	7.7	15.4
 <u>Miscellaneous</u>				
Map light	A-1425A-2-12	1	.58	*.58
Landing light relay	MB-1380	1	.20	.20
Low RPM horn & relay	16004042-W101PCX	1	.35	.35
			TOTAL =*16.18	

Instrument Trainer Avionics

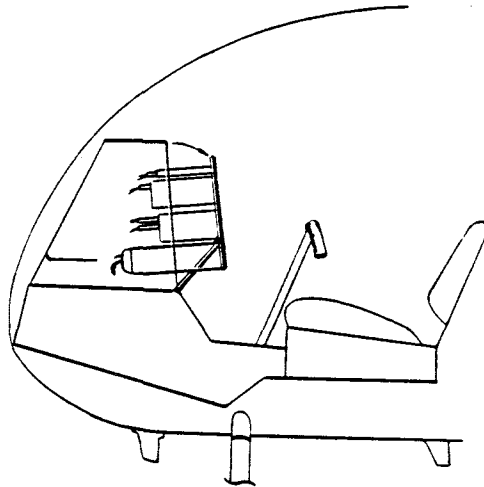
COM Transmitter	KX165	1	*6.8	*6.8
-----------------	-------	---	------	------

14.1020 IFR Trainer Console Access

Pull circuit breakers on all gyro instruments and allow 5 minutes for gyro run down to prevent gyro damage.

See R22 operator manual for caging instructions upon power application.

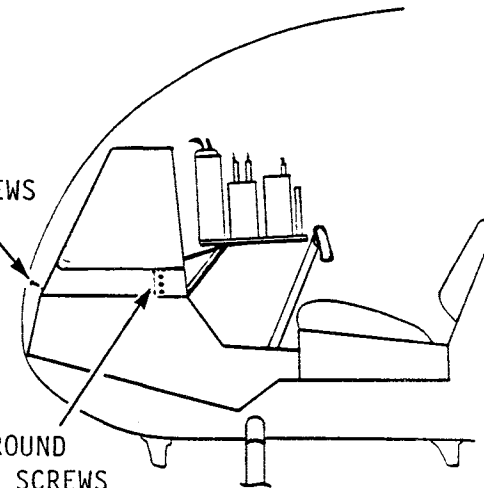
Remove (6) screws holding faceplate to console and carefully pull faceplate and instruments forward.



With cyclic full aft, instrument faceplate will now rotate to a horizontal position for access to back of instruments.

ALLEN SCREWS

GROUND
PLATE SCREWS



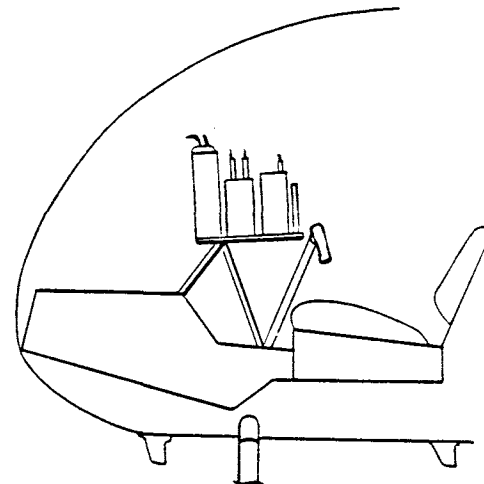
If console shell needs to be removed for access, place support under faceplate as shown.

Remove three ground plate screws from each side of console.

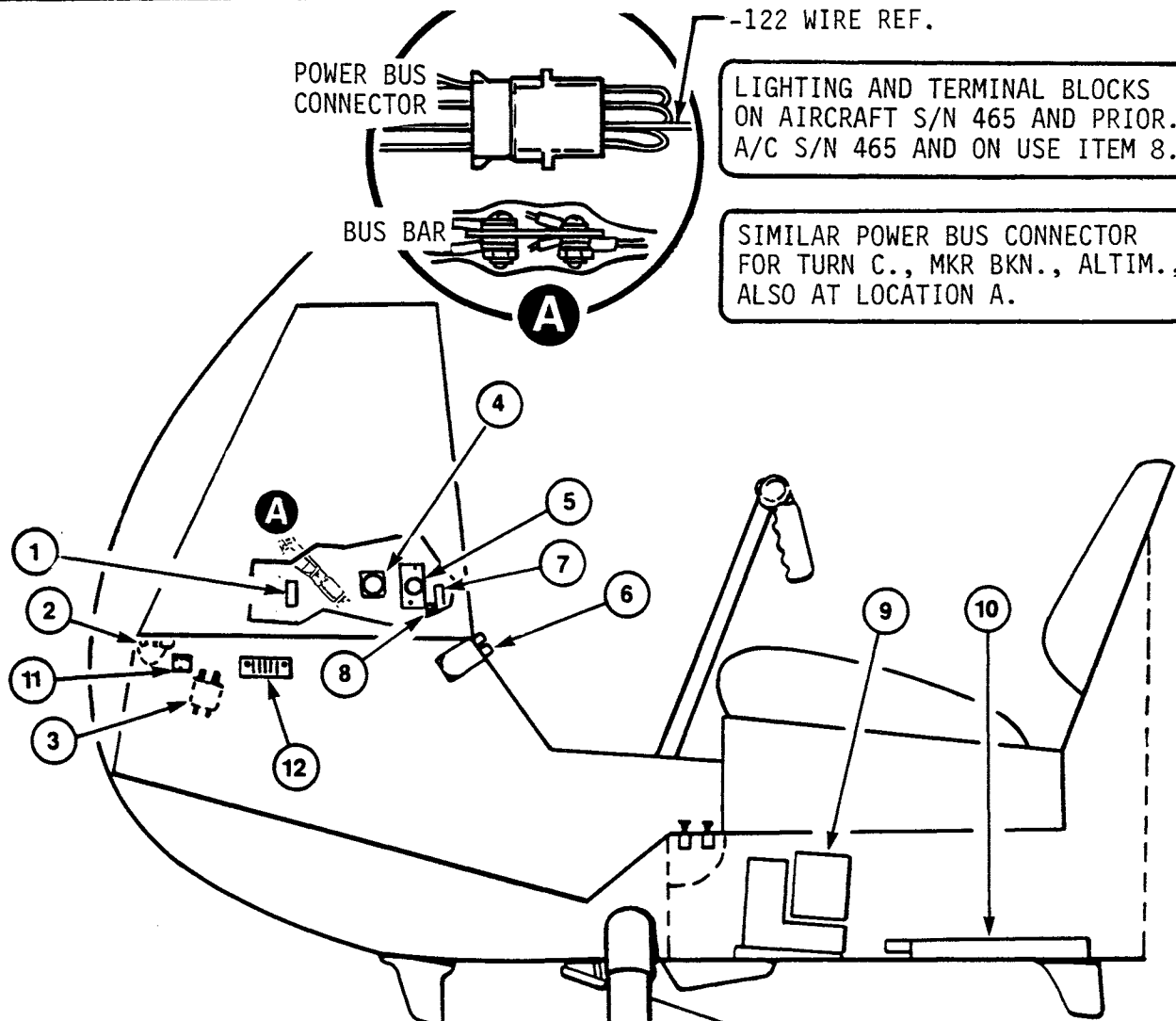
Remove two allen head screws in nose of console. Remove two screws from each side of console.

Disconnect wiring from horn, horn relay, and low RPM unit attached to console shell.

Carefully remove console shell.



14.1030 IFR Trainer Component Location

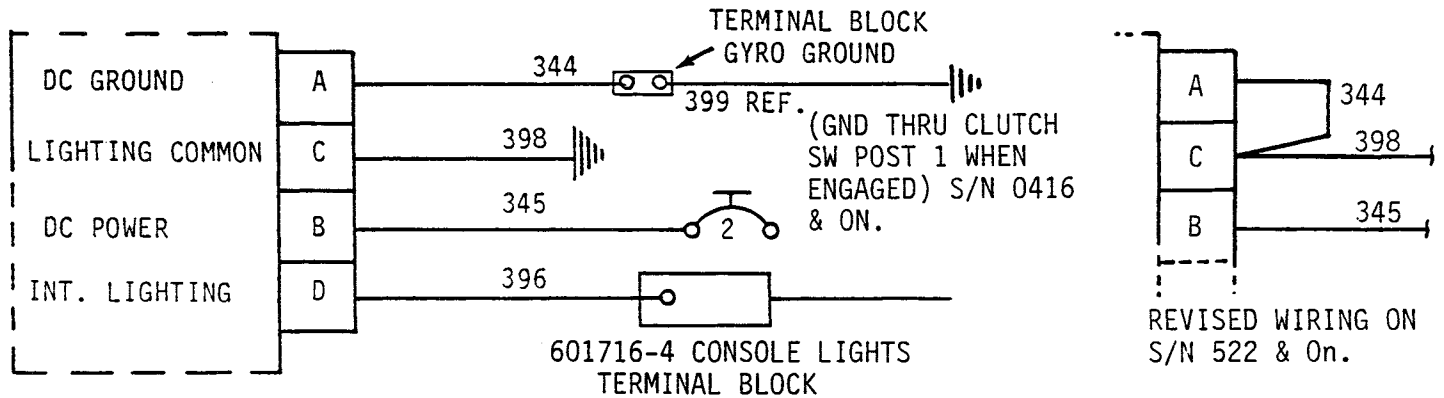


LIGHTING AND TERMINAL BLOCKS ON AIRCRAFT S/N 465 AND PRIOR. A/C S/N 465 AND ON USE ITEM 8.

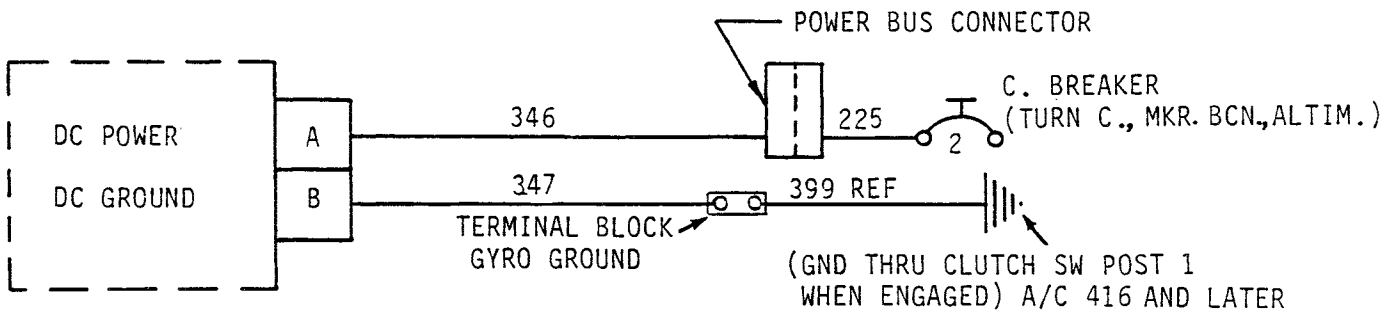
SIMILAR POWER BUS CONNECTOR FOR TURN C., MKR BKN., ALTIM., ALSO AT LOCATION A.

- ① Low RPM Horn Relay
- ② Flux Transmitter
- ③ Diplexer (3 Connectors)
Triplexer (4 Connectors)
- ④ Low RPM Horn
- ⑤ Low Rpm Unit
- ⑥ Slave Control
- ⑦ Ground Panel
- ⑧ Terminal Block, Lighting
(Used on A/C after S/N 465)
- ⑨ Directional Gyro-Remote
(Left Baggage Compartment)
- ⑩ DME-Remote
(Left Baggage Compartment)
- ⑪ Terminal Block, Gyro Ground Wires
- ⑫ Terminal Block, Audio

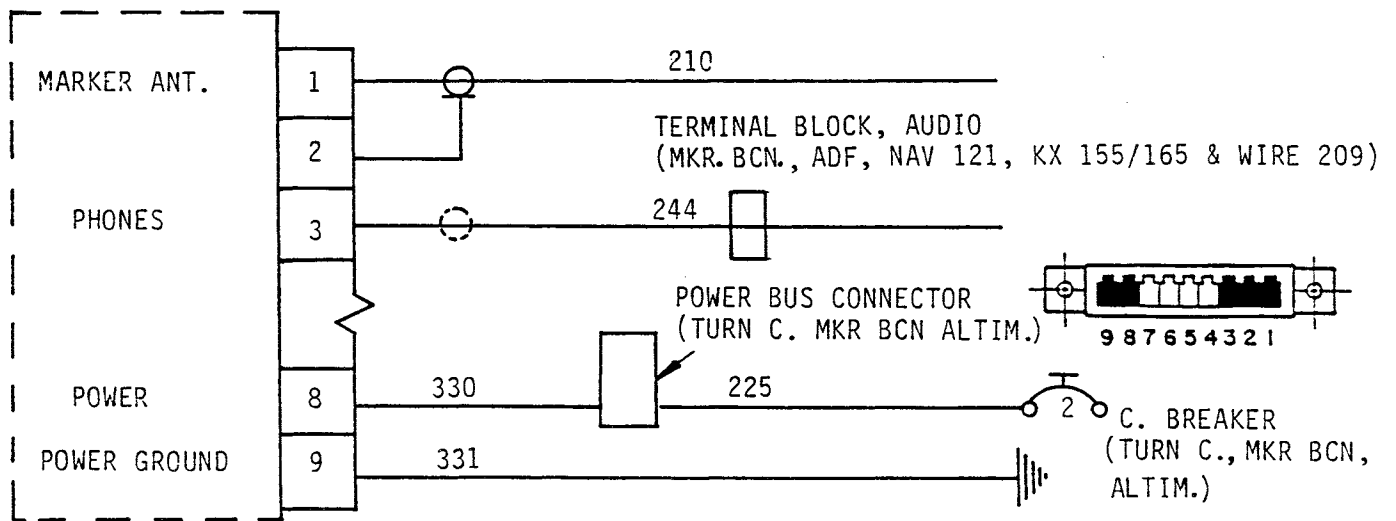
14.1040 IFR Trainer Avionics Schematics



AIM 500 HORIZONTAL REFERENCE INDICATOR

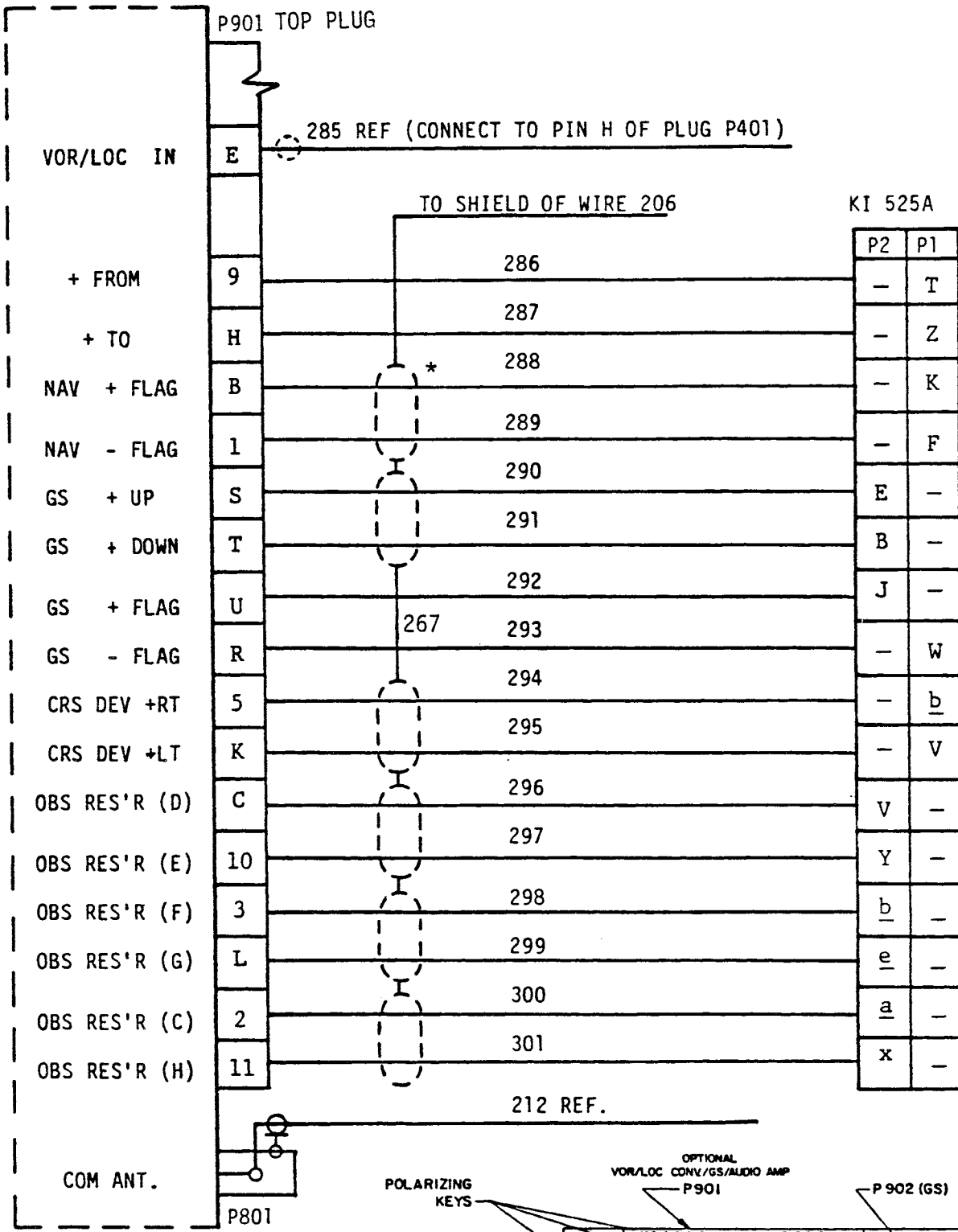


ASTRONAUTICS 303700 TURN COORDINATOR

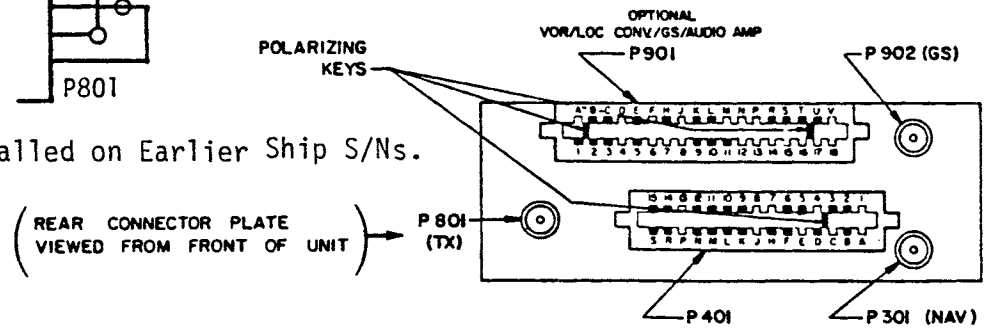


KING KR 22 MARKER BEACON

14.1040 (cont'd)

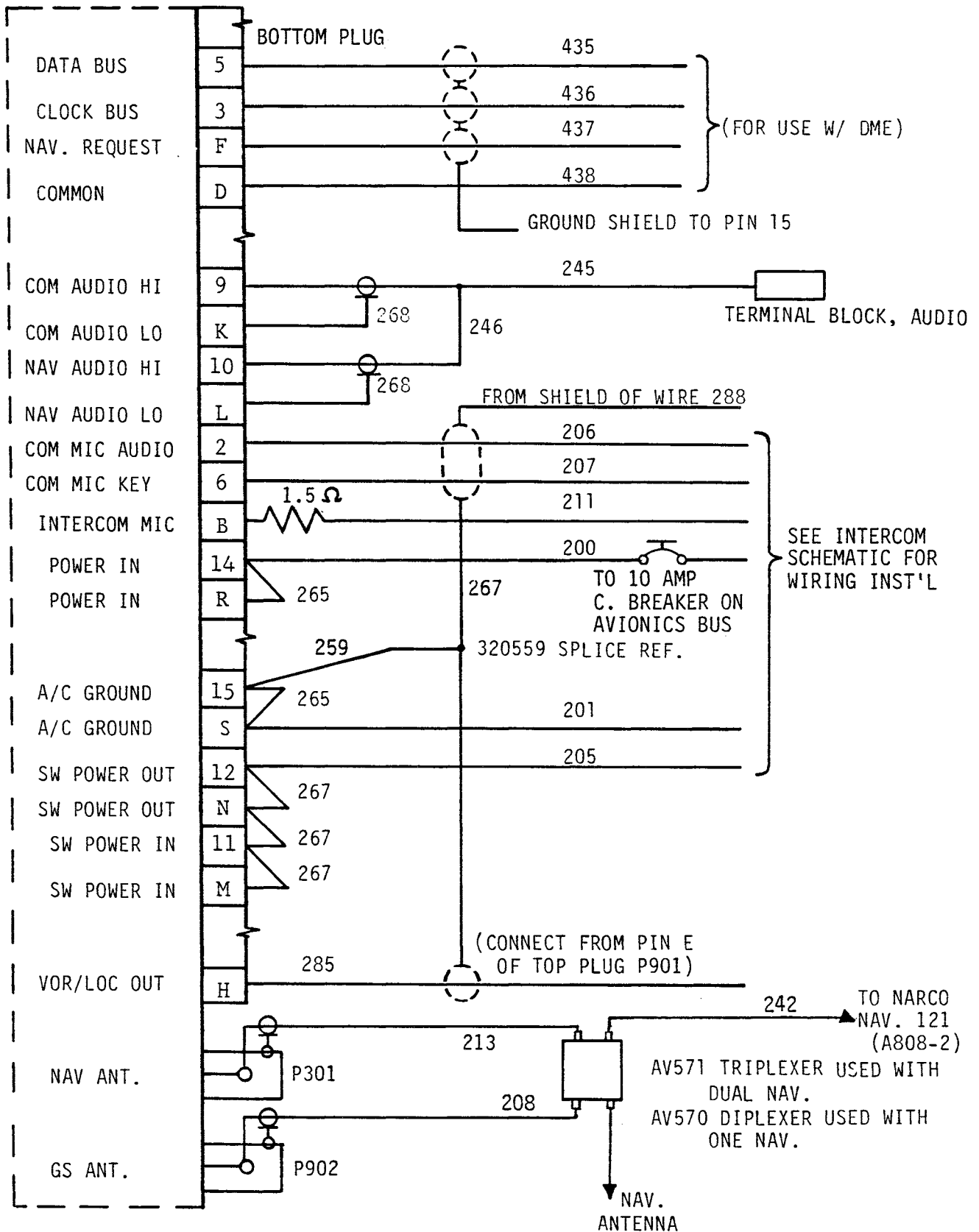


*This Shield Installed on Earlier Ship S/Ns.



14.1040 (cont'd)

P401



14.1040 (cont'd)

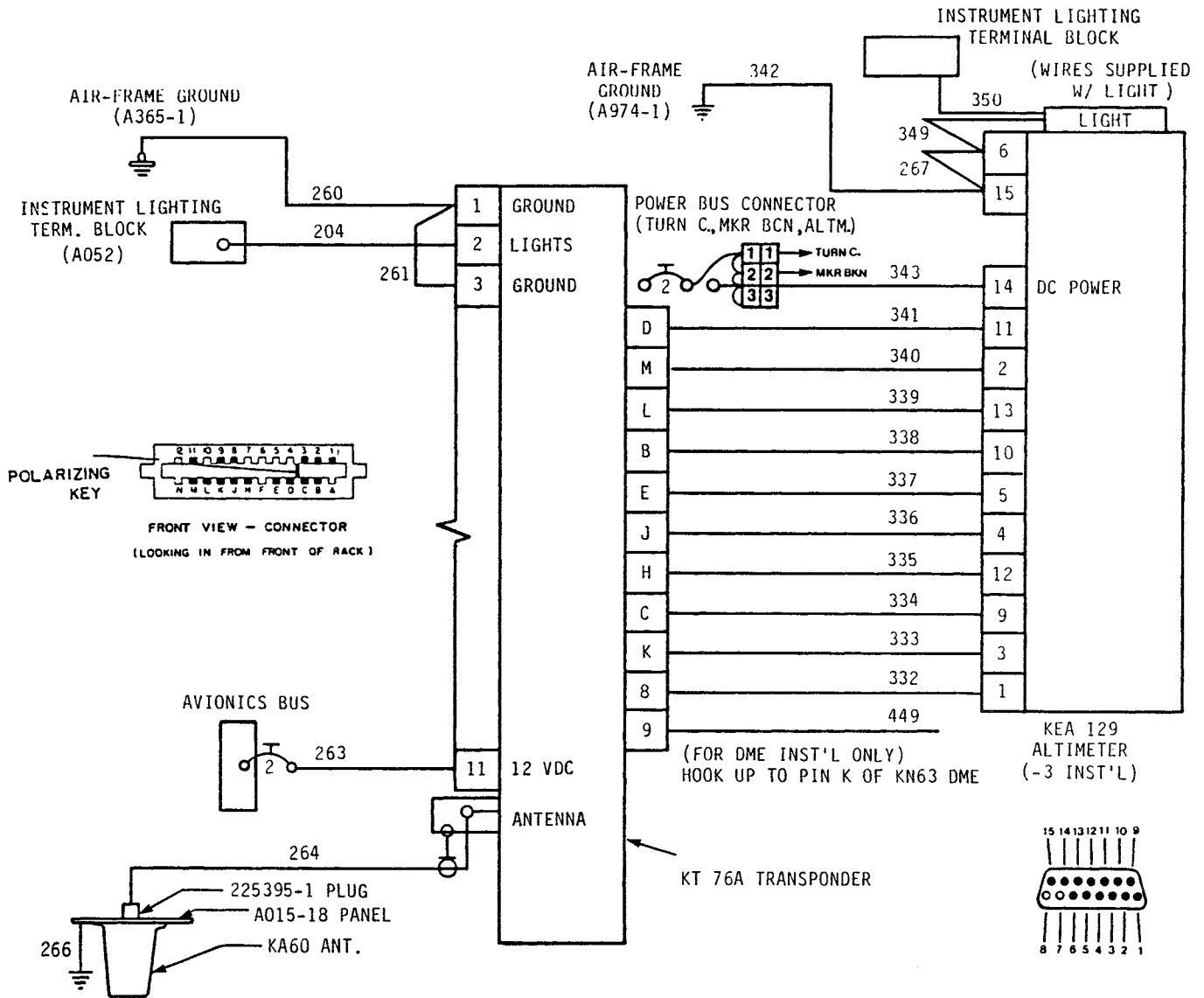


FIGURE 14-27 KING KT76A TRANSPONDER WITH KING KEA 129 ENCODING ALTIMETER

14.1040 (cont'd)

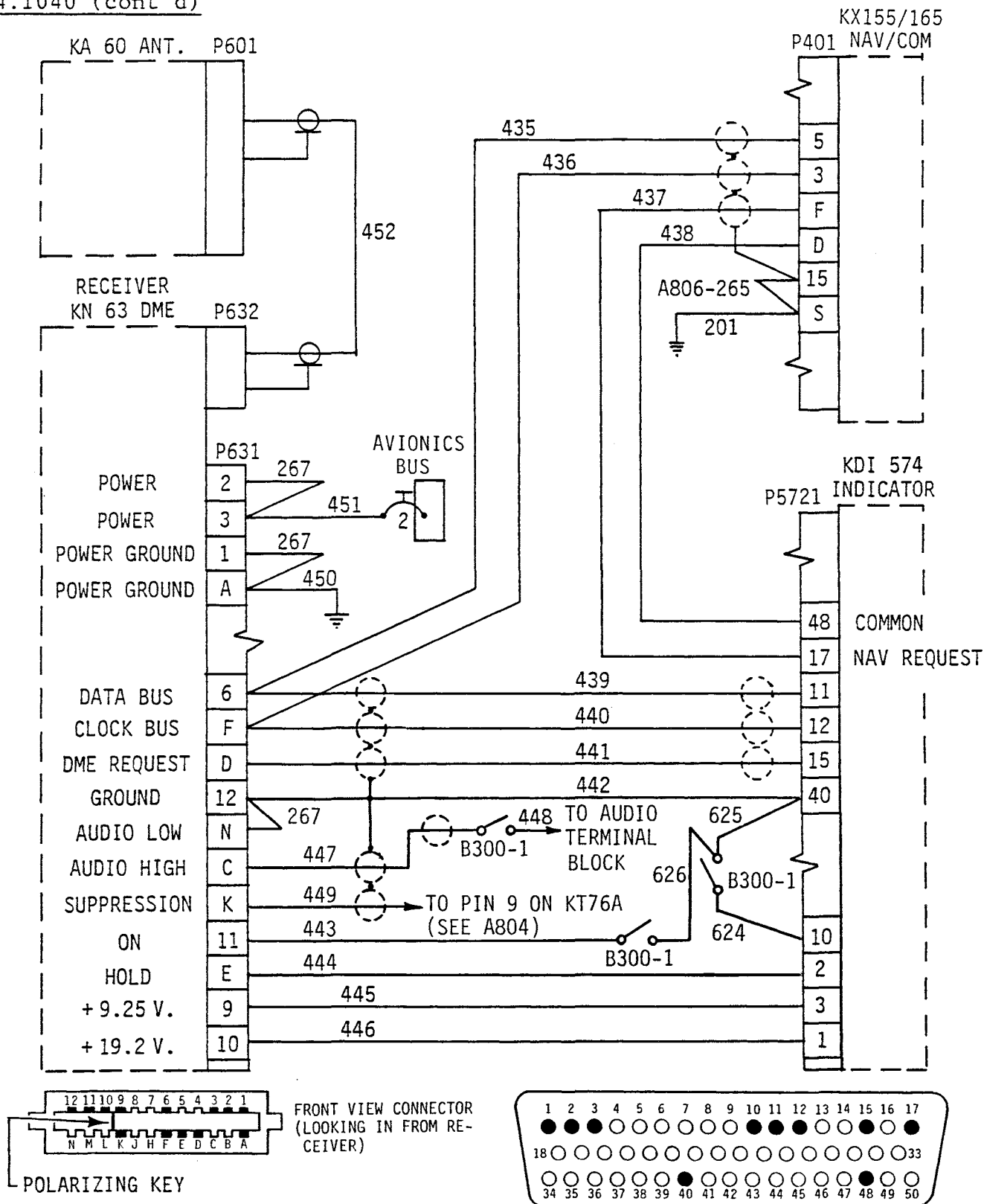
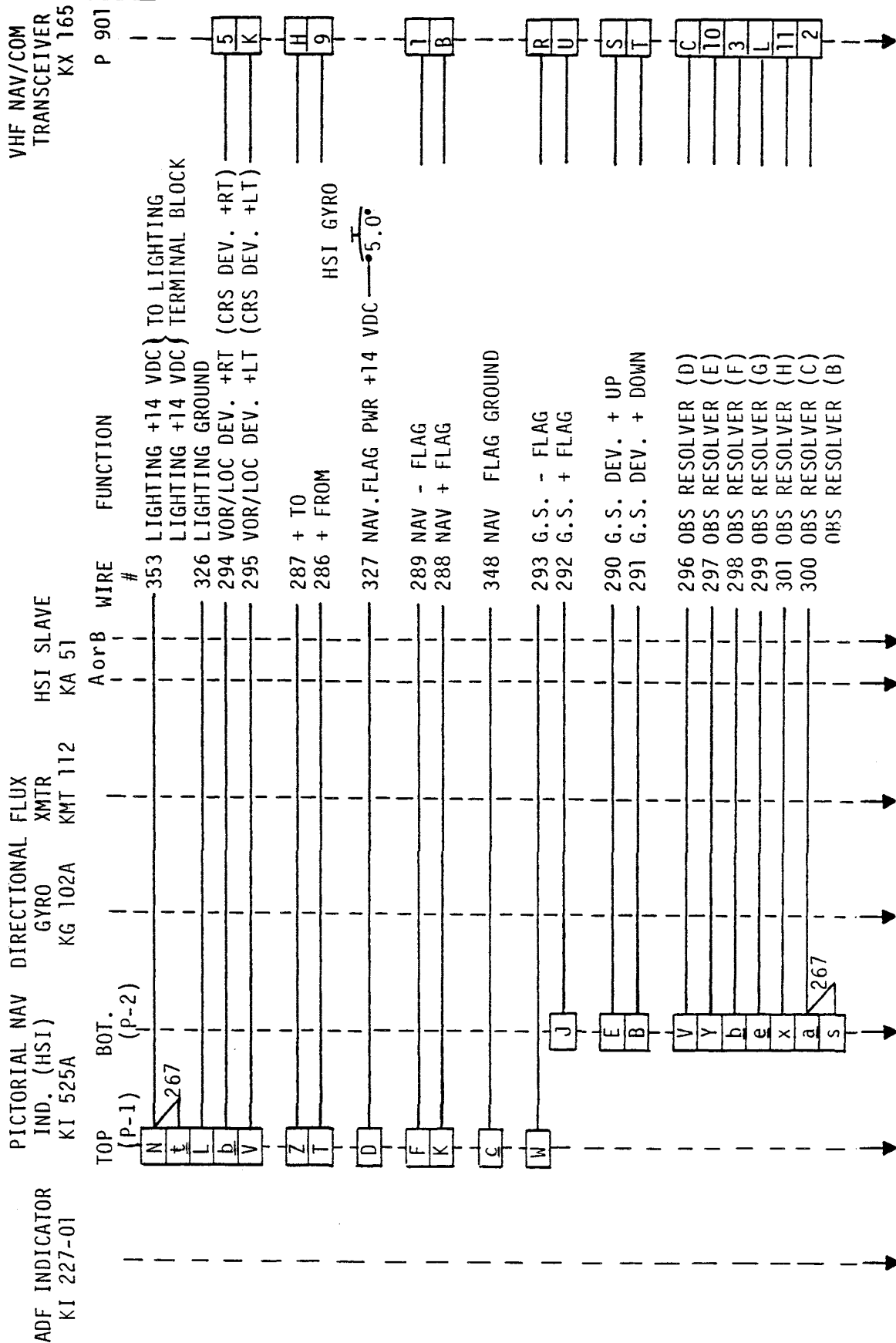


FIGURE 14-28 KING KN63 DME

KDI 574 CONNECTOR P5741/ J5741 PIN 5 KEYED
PIN VIEW OF MALE OR SOLDER CUP VIEW OF FE-
MALE CONNECTOR.

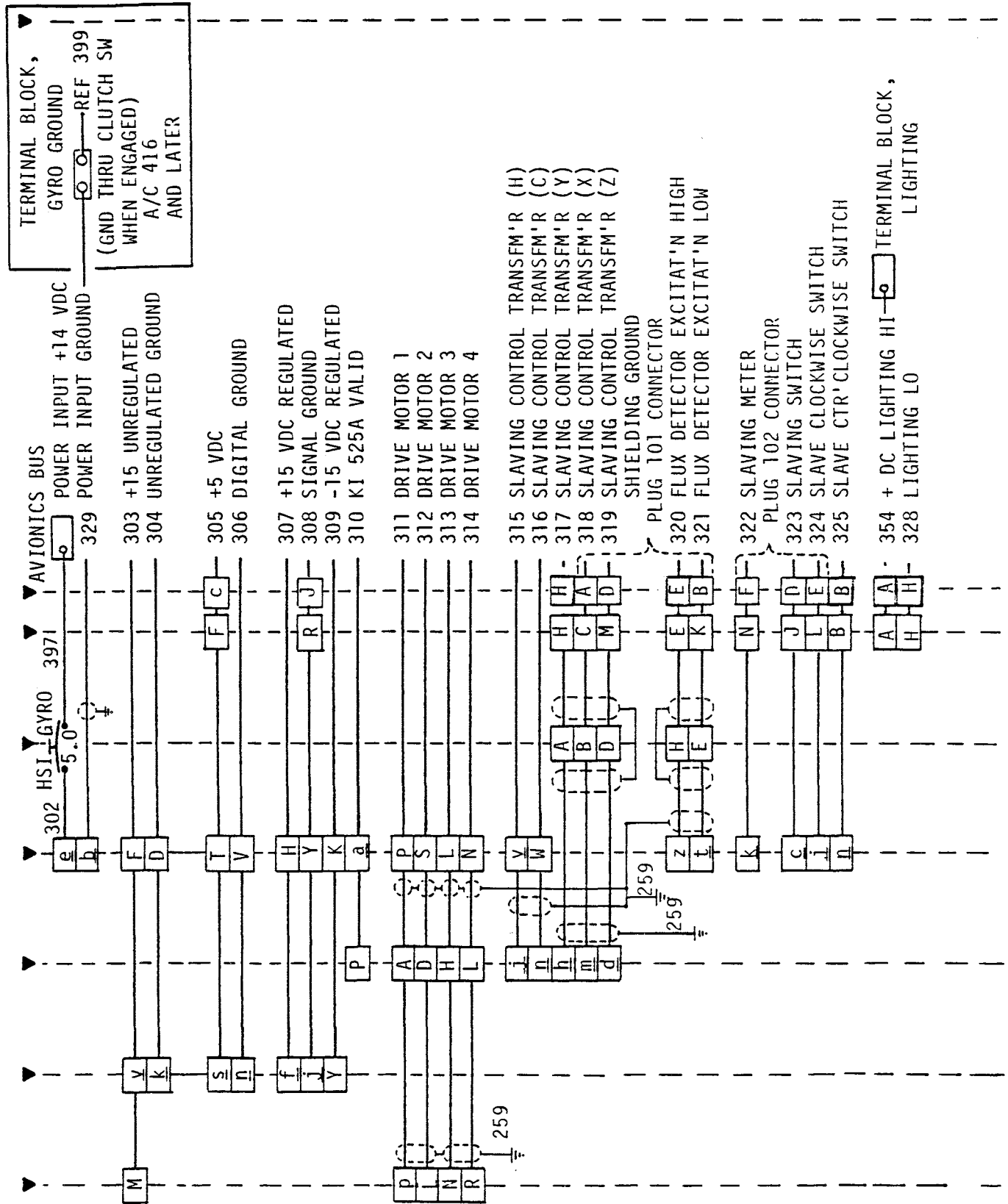
14.1040 (cont'd)



CONT. ON NEXT PAGE

14.1040 (cont'd)

CONTINUED FROM PREVIOUS PAGE



14.1040 (cont'd)

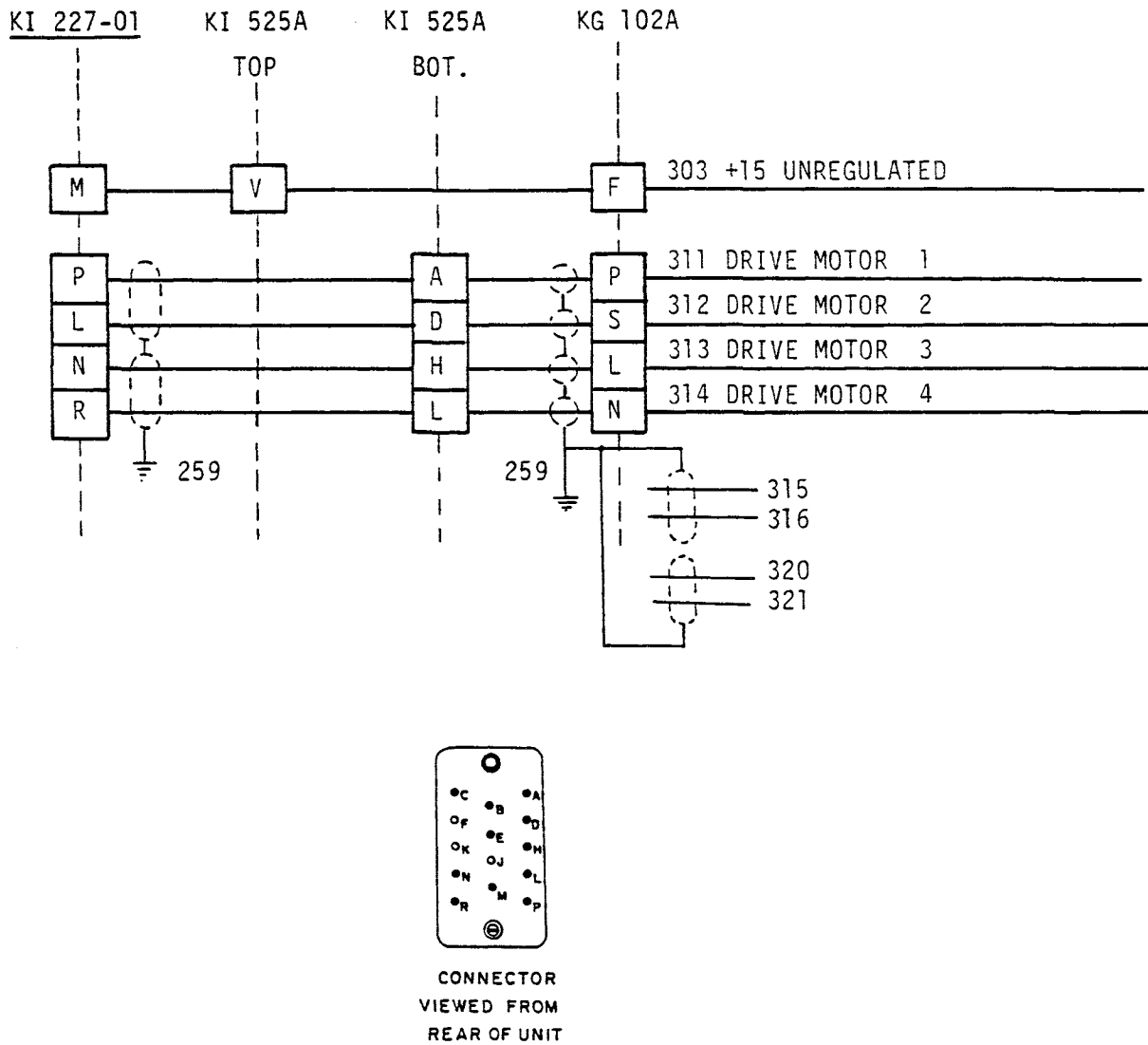
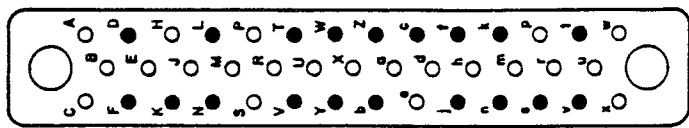
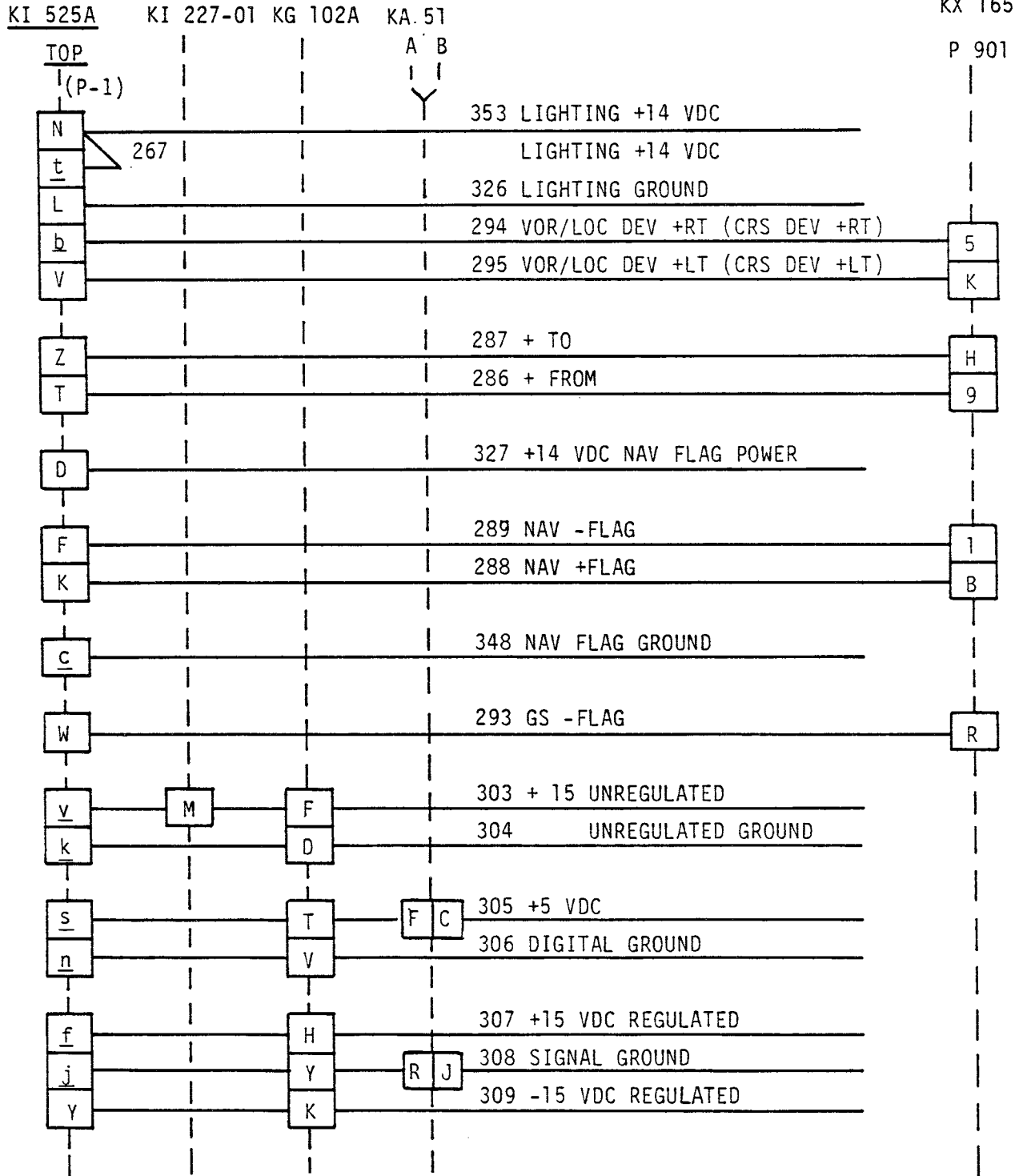


FIGURE 14-30 KING KI 227-01 ADF INDICATOR

14.1040 (cont'd)



KI 525 (PI)
KI 525A (PI)

FIGURE 14-31A KI 525A PICTORAL NAV INDICATOR (TOP PLUG)

14.1040 (cont'd)

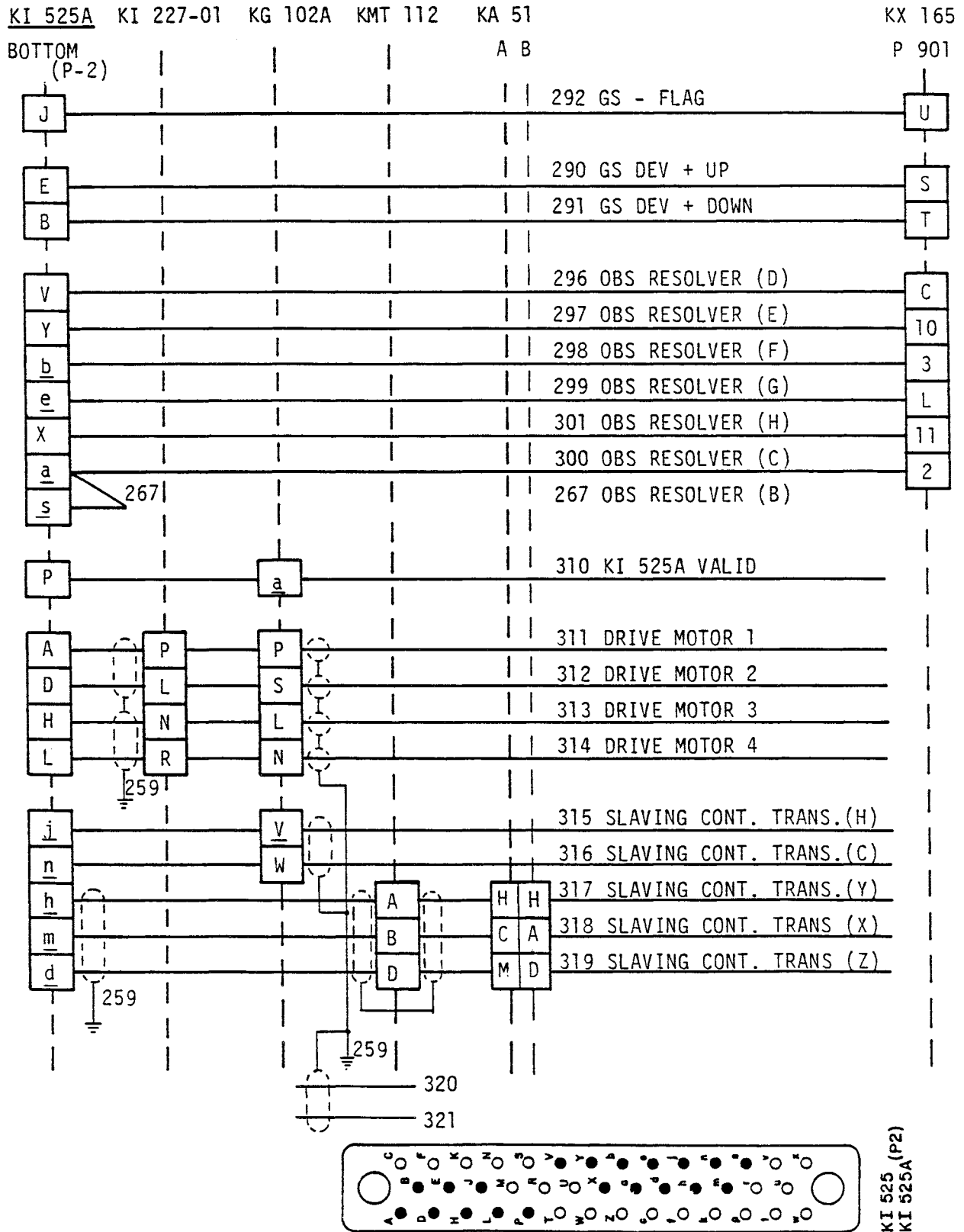
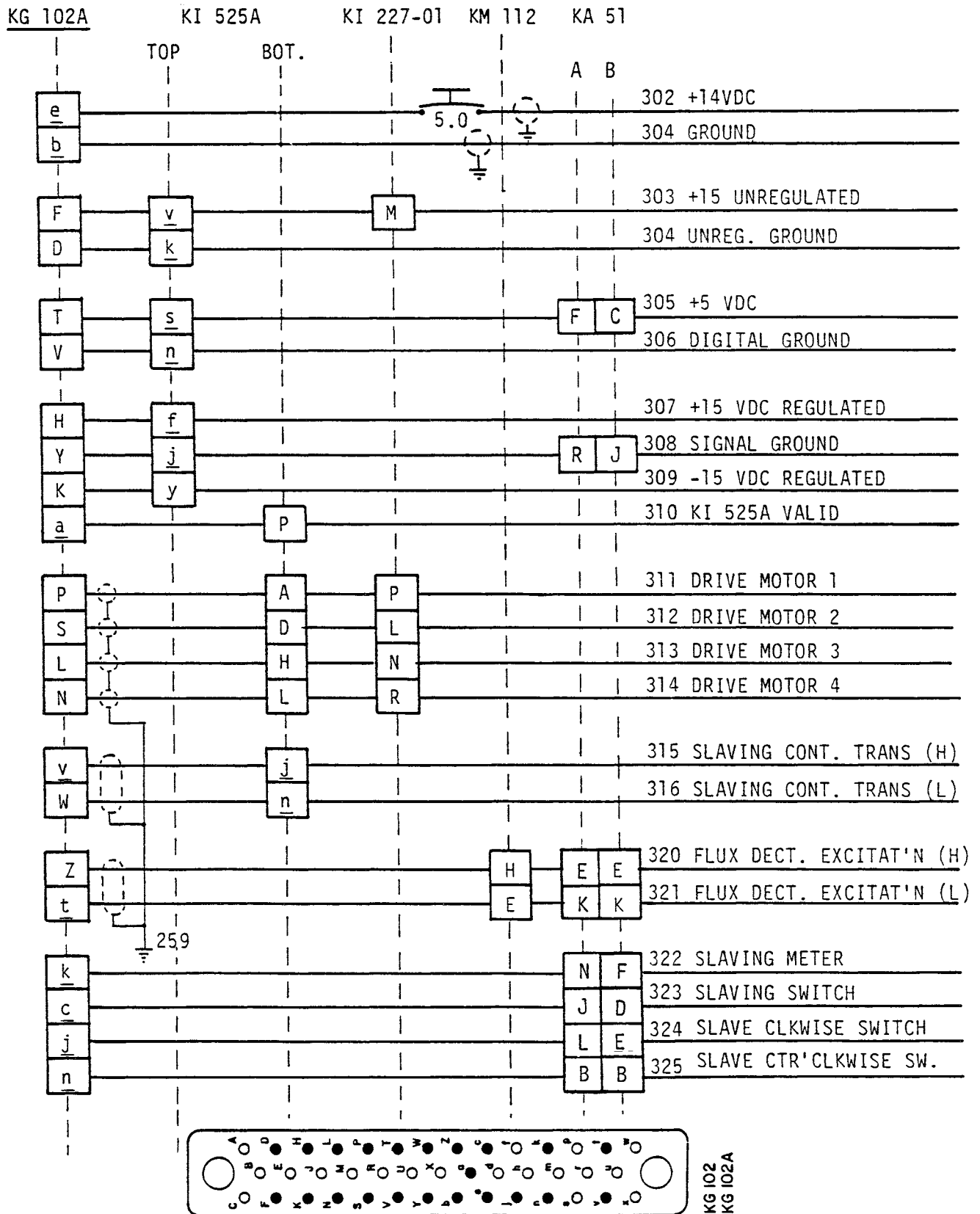
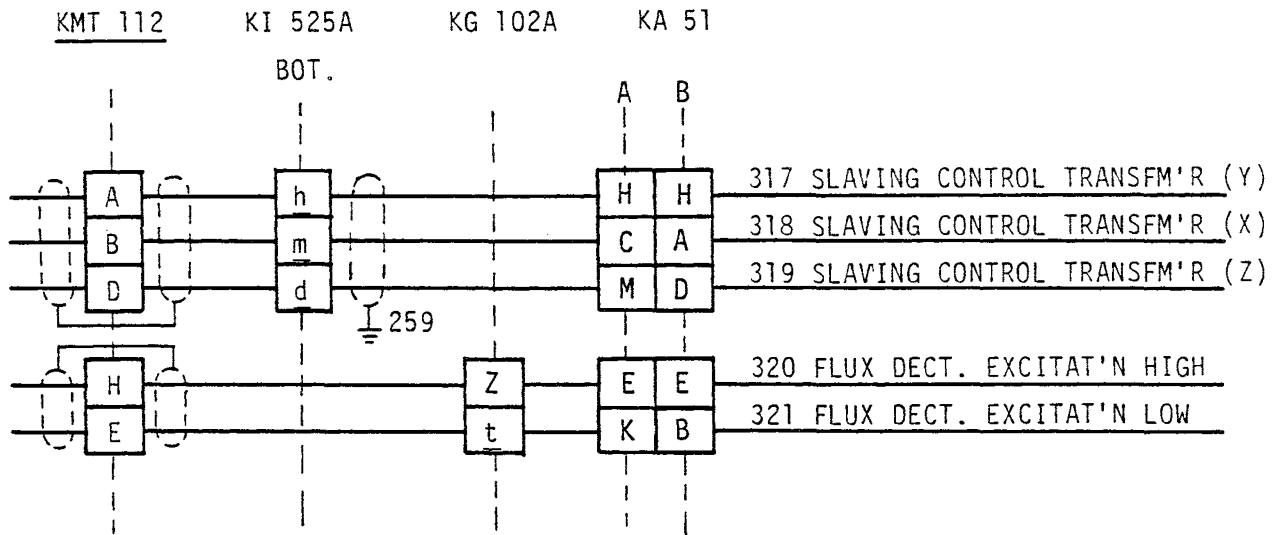


FIGURE 14-31B KI 525A PICTORAL NAV INDICATOR (BOTTOM PLUG)

14.1040 (cont'd)



14.1040 (cont'd)



KMT 112

FIGURE 14-33 KING KMT 112 FLUX TRANSMITTER

14.1040 (cont'd)

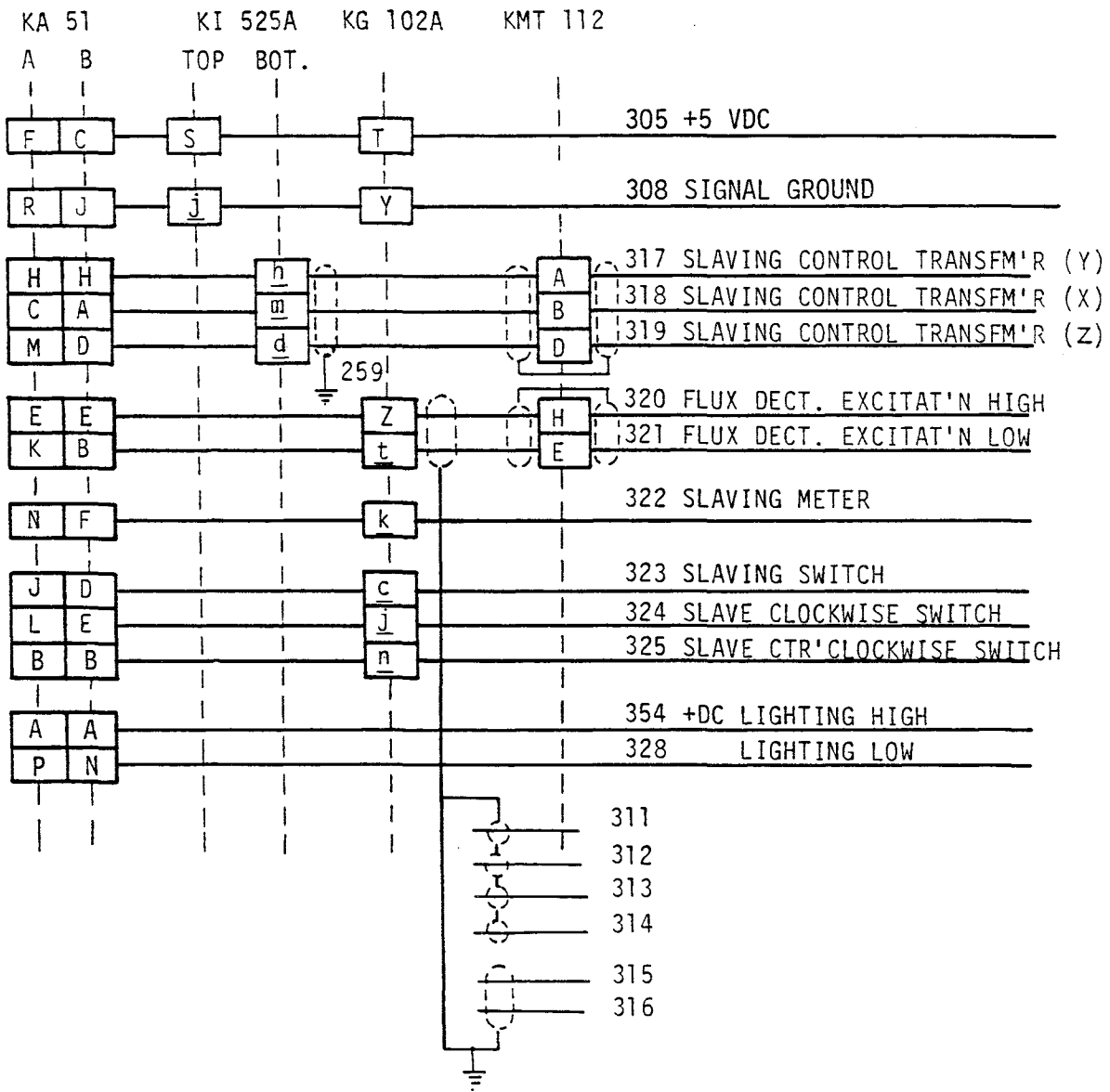
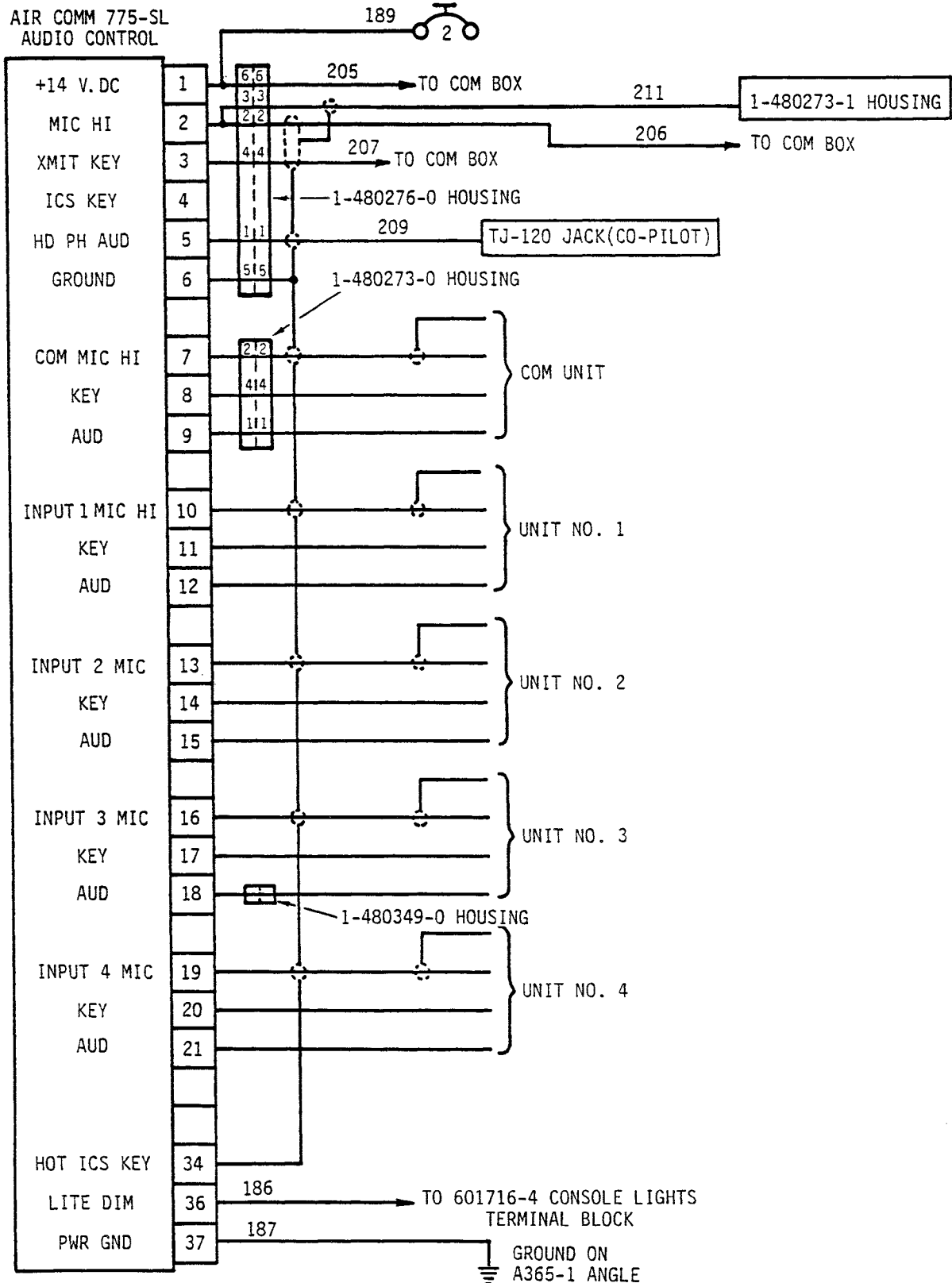


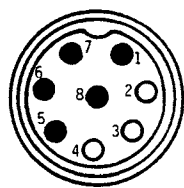
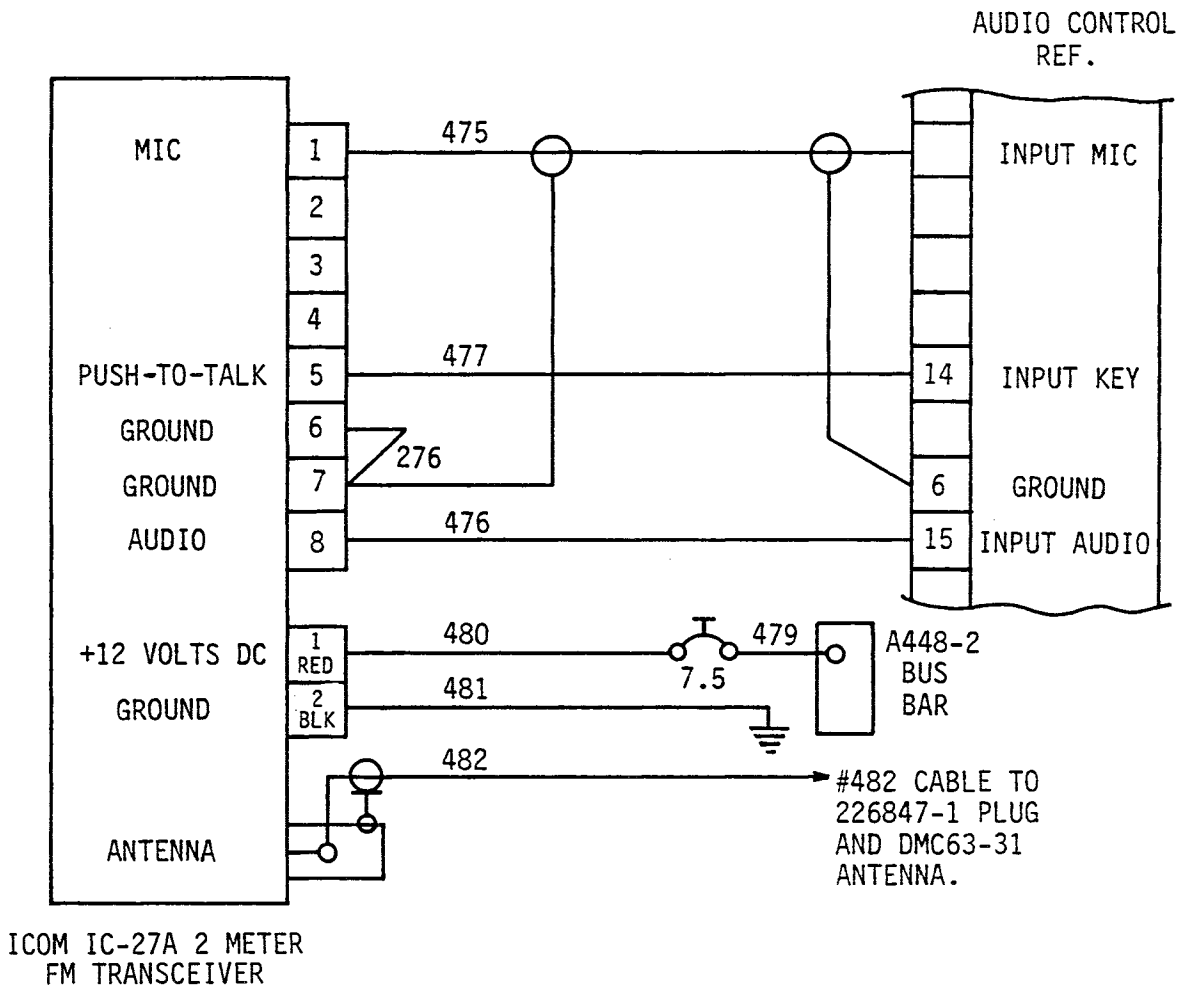
FIGURE 14-34 KING KA 51 (A & B) SLAVING ACCESSORY

14.1100 R22 MARINER

14.1110 R22 Mariner Avionics Schematics

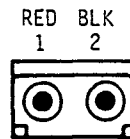


14.1110 (cont'd)



AUDIO/MIC
CONNECTOR

(LOOKING
TOWARD
AIRCRAFT)



POWER
CONNECTOR

FIGURE 14-36 ICOM IC-27A 2-METER FM TRANSCEIVER

14.1110 (cont'd)

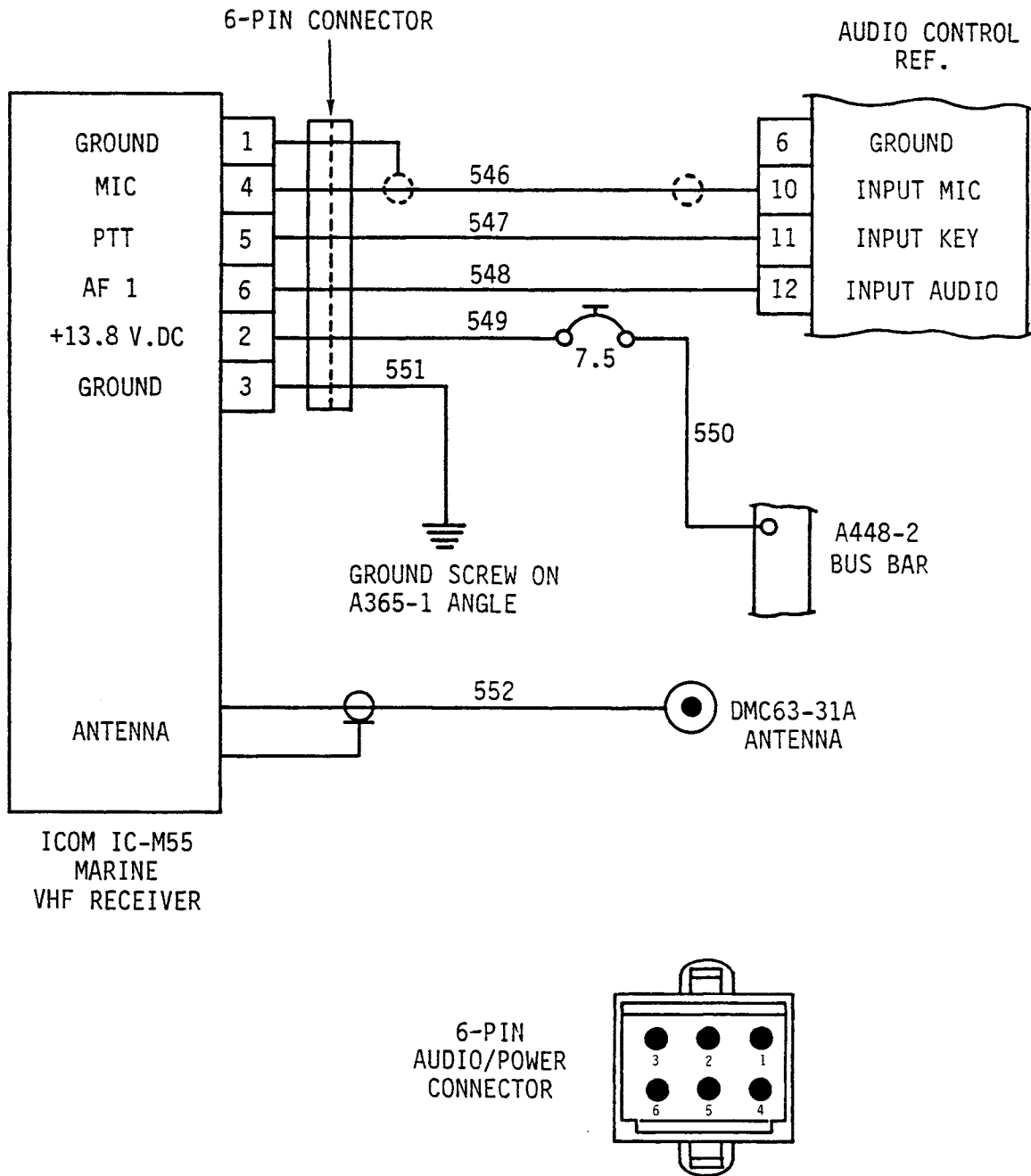


FIGURE 14-37 ICOM IC M55 MARINE VHF RECEIVER

14.1110 (cont'd)

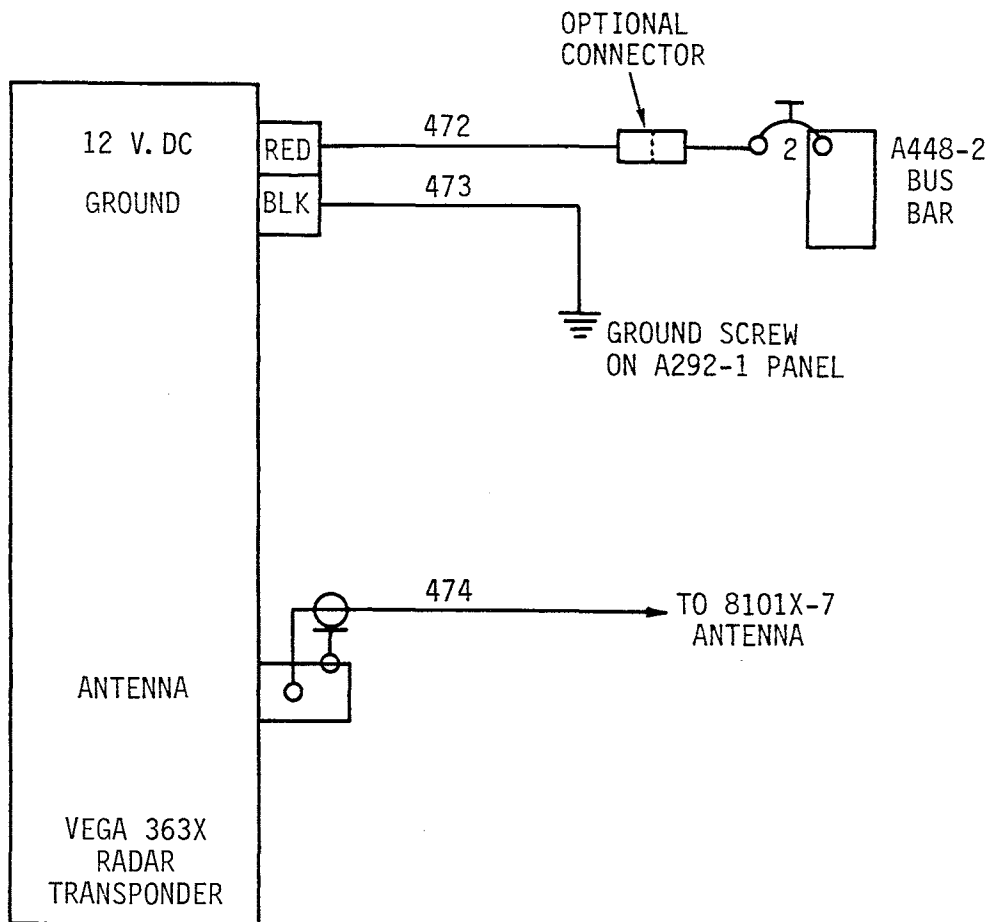
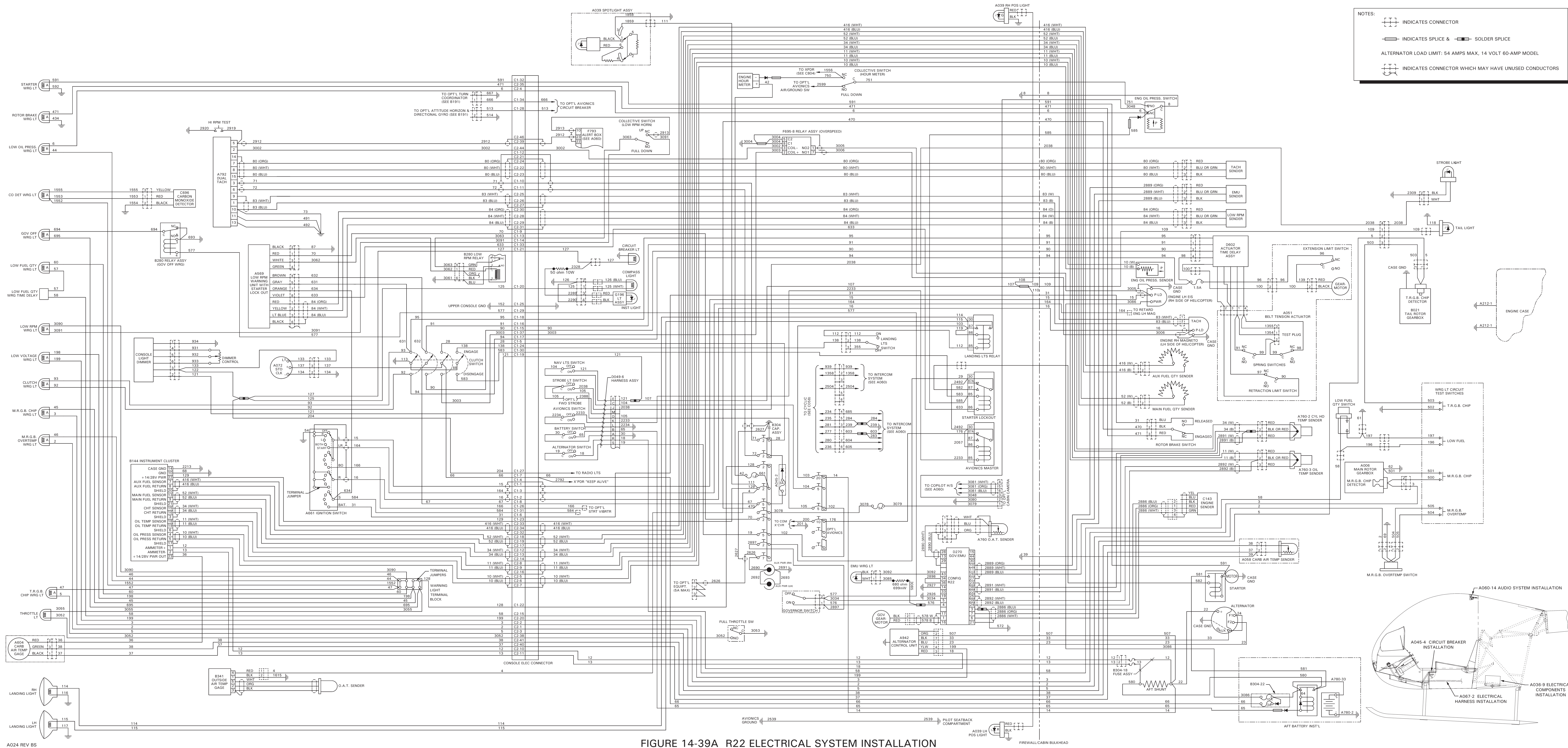
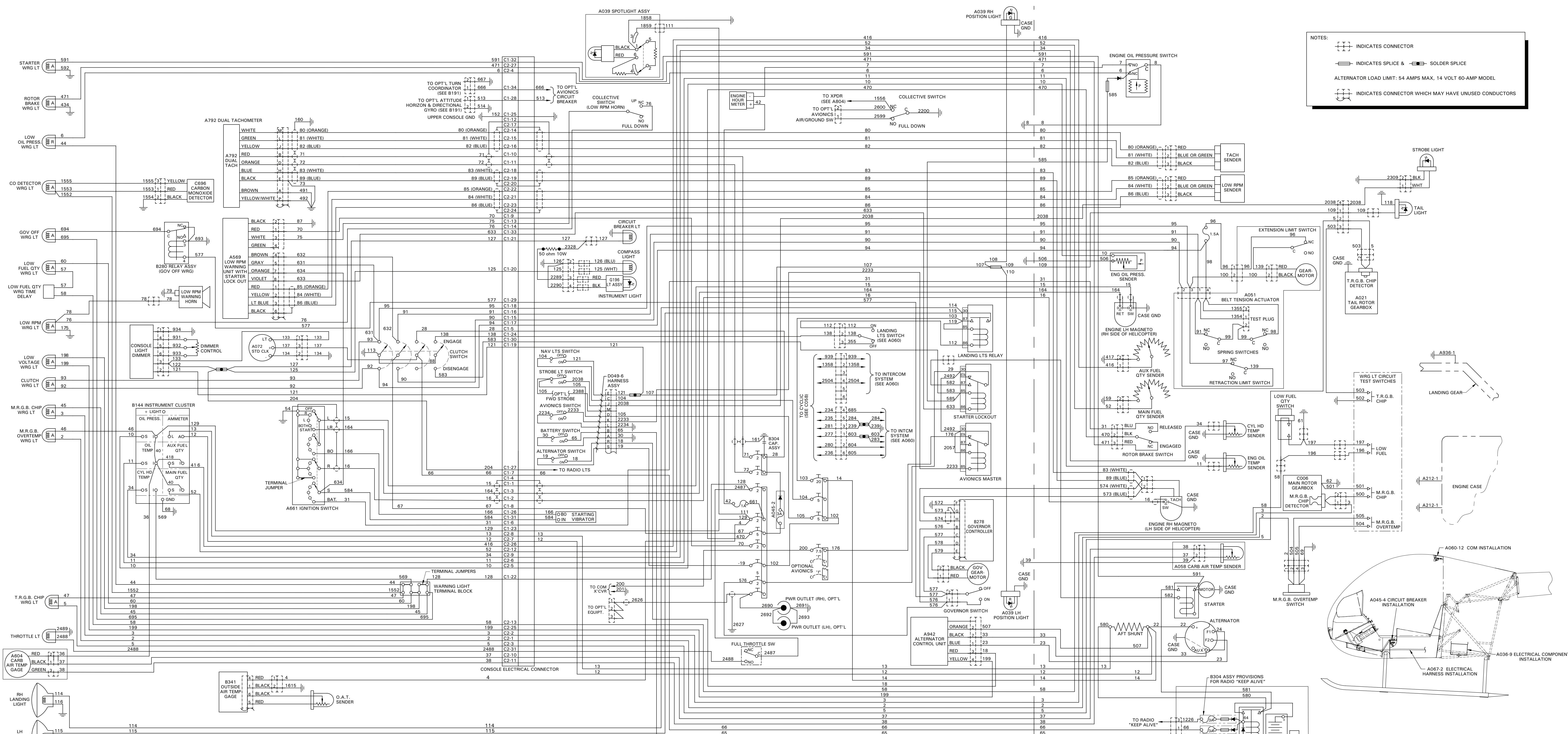


FIGURE 14-38 VEGA 363X RADAR TRANSPONDER

This page intentionally left blank.



Intentionally Blank

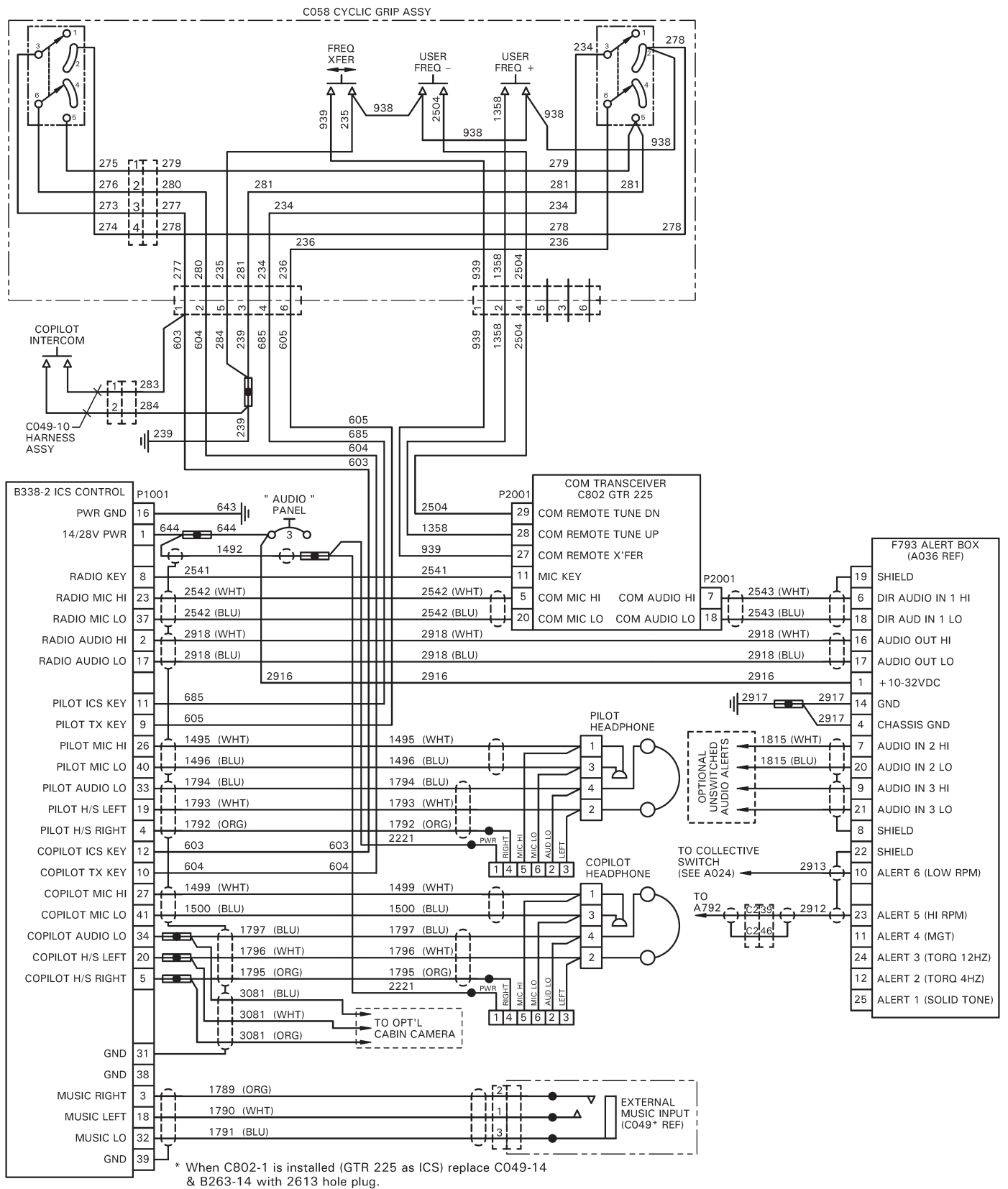


NOTES:

- INDICATES CONNECTOR
- INDICATES SPLICE & SOLDER SPLICE
- ALTERNATOR LOAD LIMIT: 54 AMPS MAX, 14 VOLT 60-AMP MODEL
- INDICATES CONNECTOR WHICH MAY HAVE UNUSED CONDUCTORS

FIGURE 14-39C R22 ELECTRICAL SYSTEM INSTALLATION (A024 Revision BL shown)

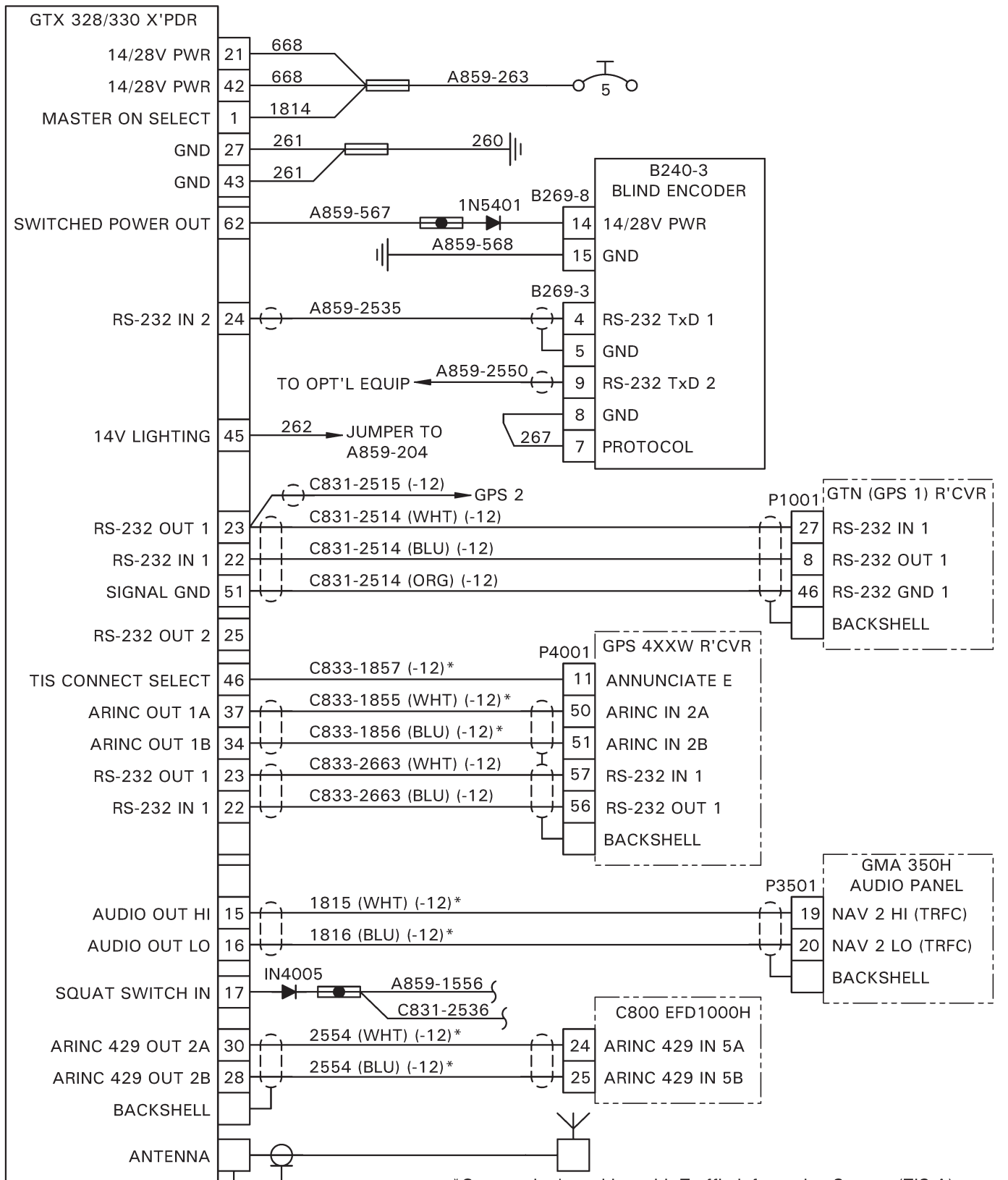
C448 GND TERMINAL BLOCK (A036-1 REF)	2539	PILOT SEATBACK COMPARTMENT
C448 GND TERMINAL BLOCK (A047-2 REF)	2608	PILOT SEATBACK FIREWALL/CABIN BULKHEAD



A060 REV AQ

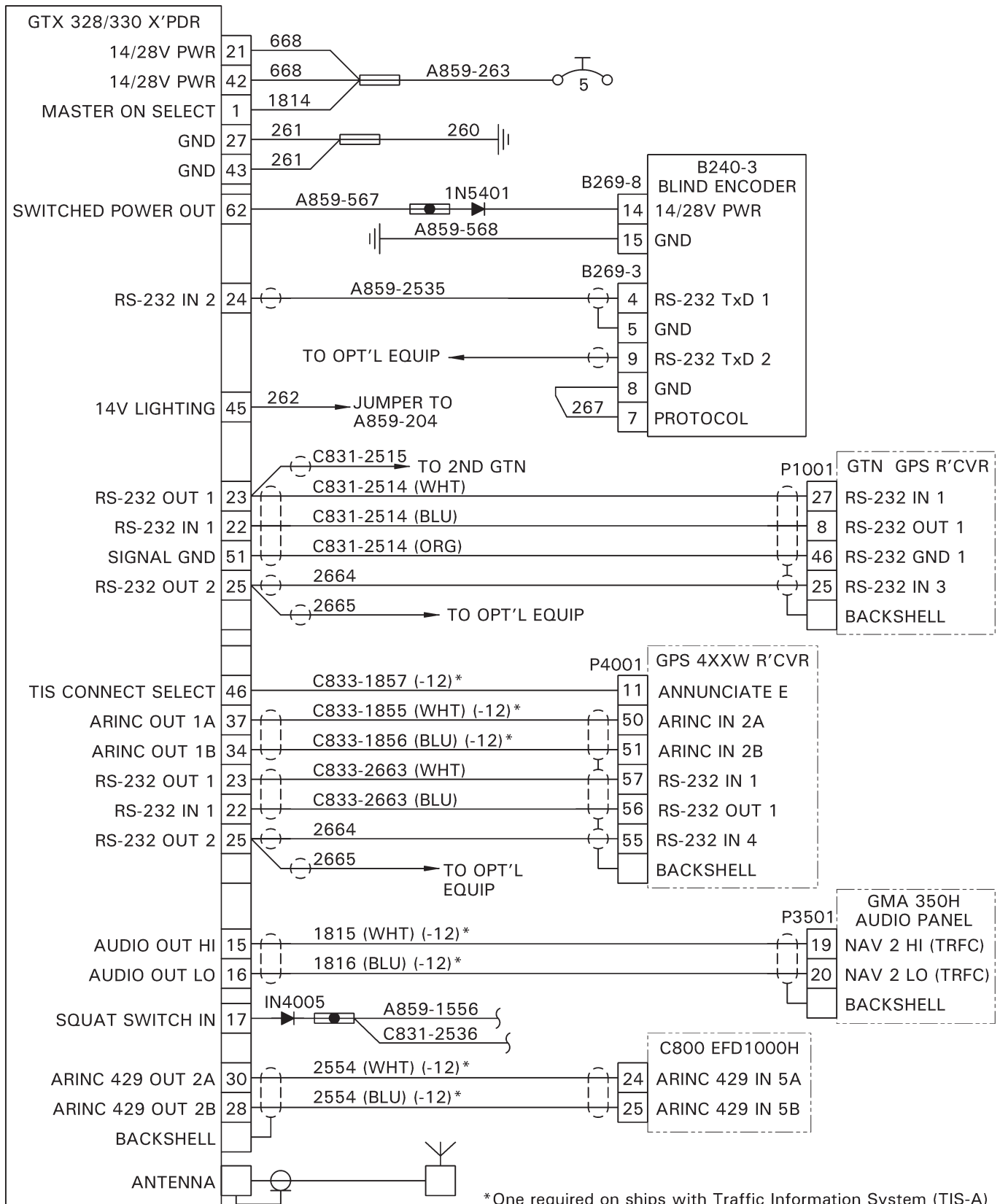
FIGURE 14-40 A060-14 AUDIO SYSTEM INSTALLATION

Intentionally Blank



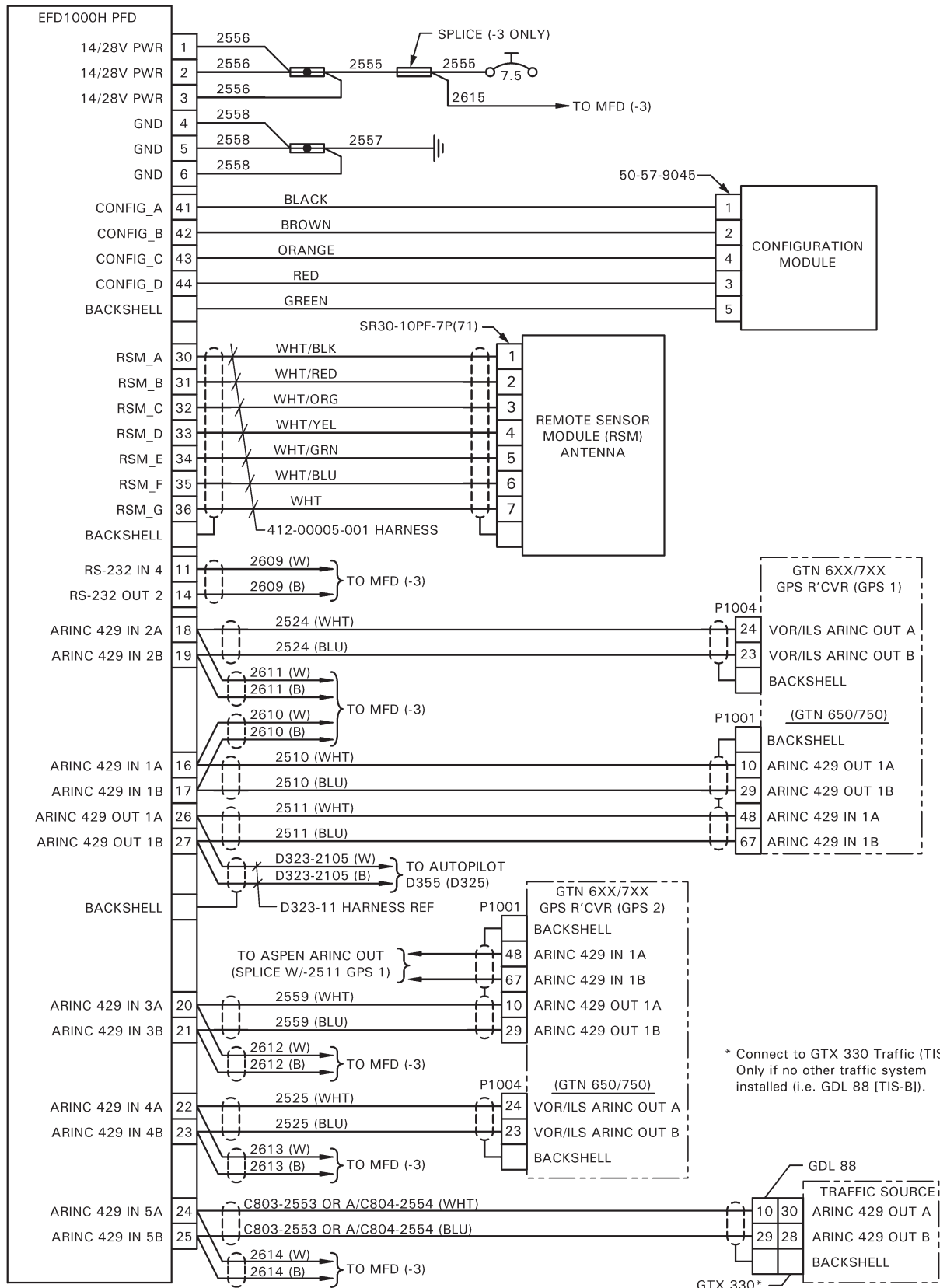
A804 REV AH

FIGURE 14-41 A804-12 & -13 TRANSPONDER SCHEMATIC (GARMIN GTX 330 ES)



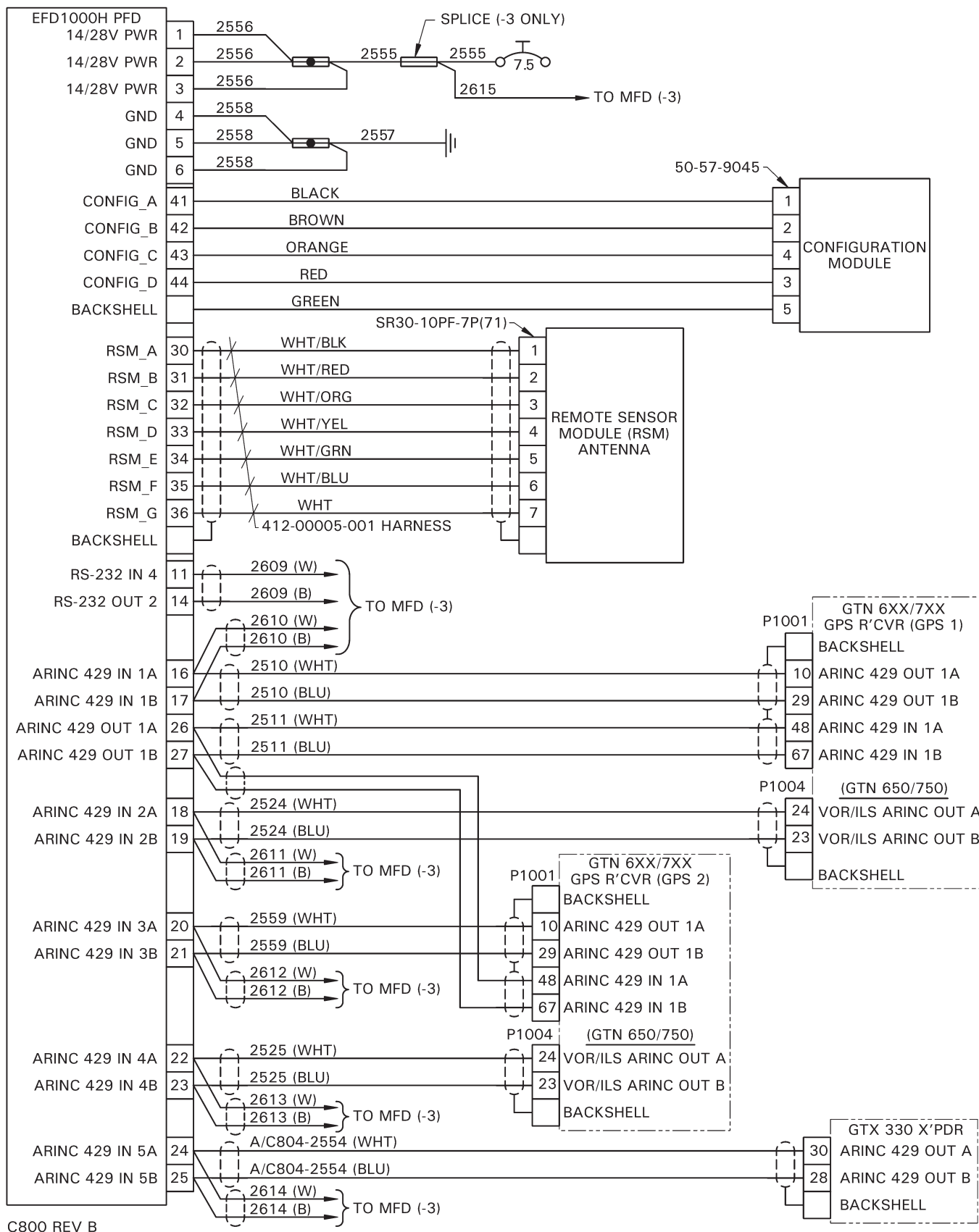
A804 REV AG

FIGURE 14-42 A804-12 & -13 TRANSPONDER SCHEMATIC (GARMIN GTX 330 ES; EARLIER SHIPS)



C800 REV D

FIGURE 14-43 C800-1 ASPEN PFD ELECTRICAL SCHEMATIC



C800 REV B

FIGURE 14-44 C800-1 ASPEN PFD ELECTRICAL SCHEMATIC (EARLIER SHIPS)

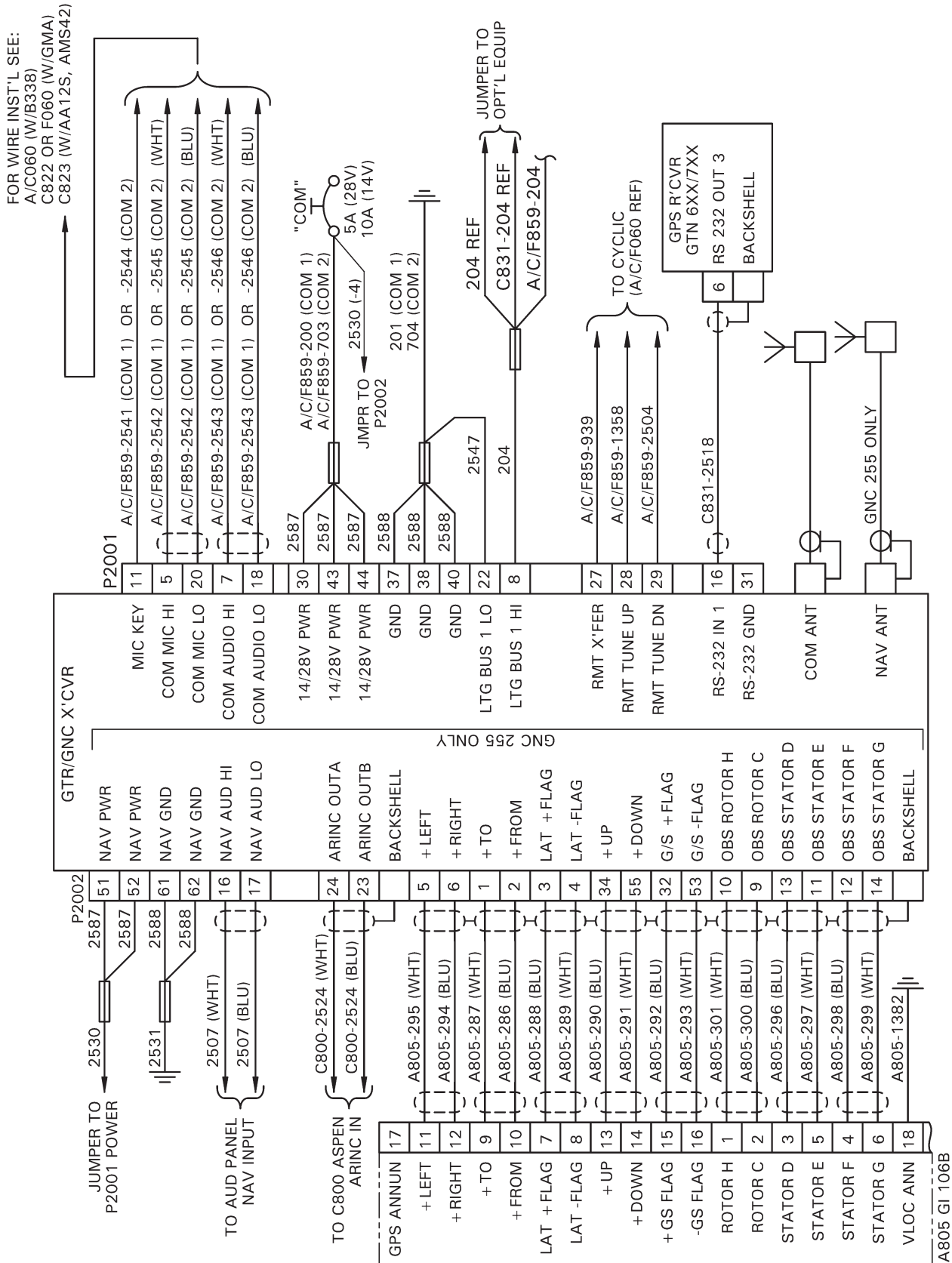
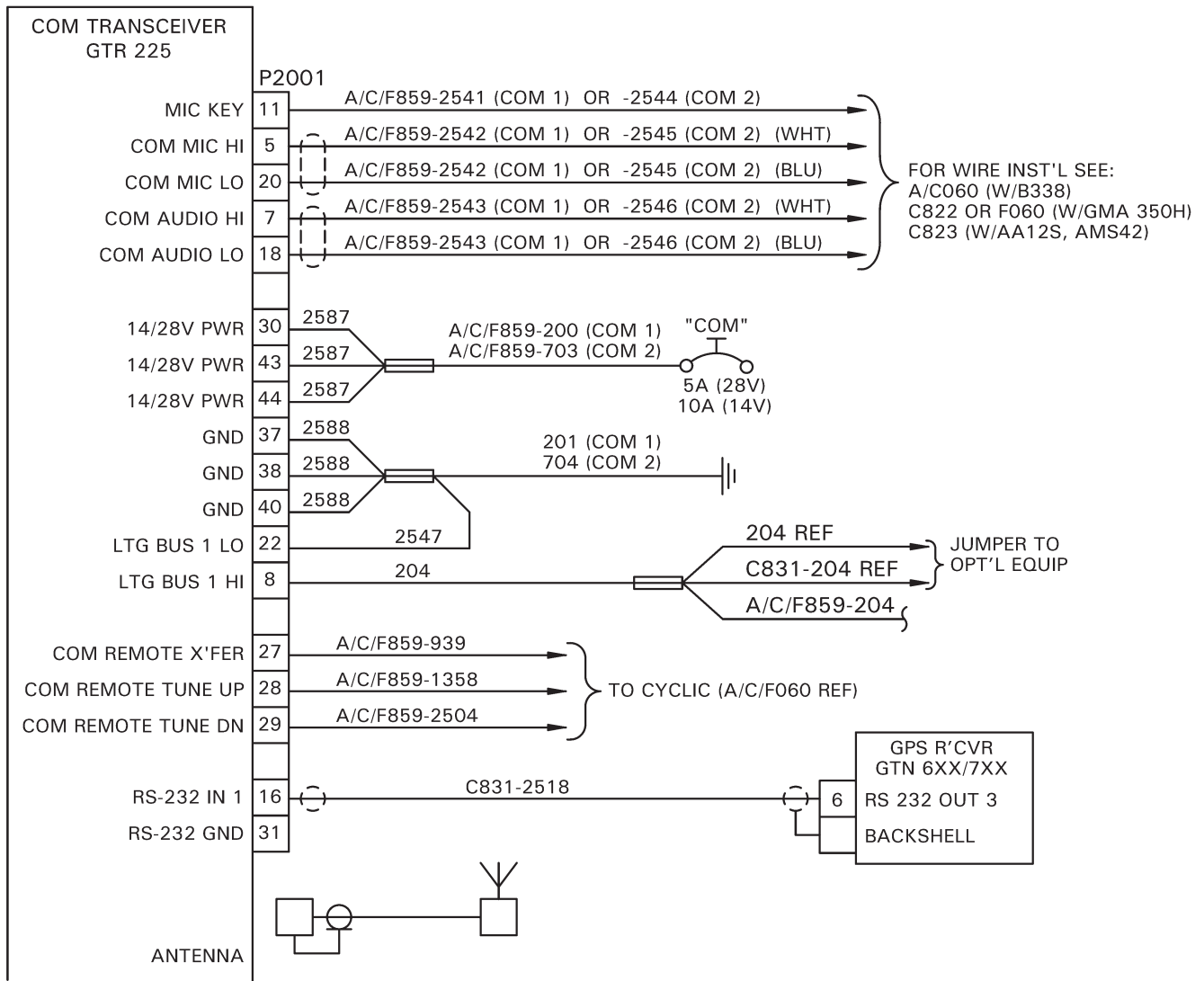


FIGURE 14-45 C802-2, -3, & -4 COM RADIO SCHEMATIC (GARMIN GTR/GNC 225B)



C802 REV D

FIGURE 14-46 C802-2 & -3 COM RADIO SCHEMATIC (GARMIN GTR 225B; EARLIER SHIPS)

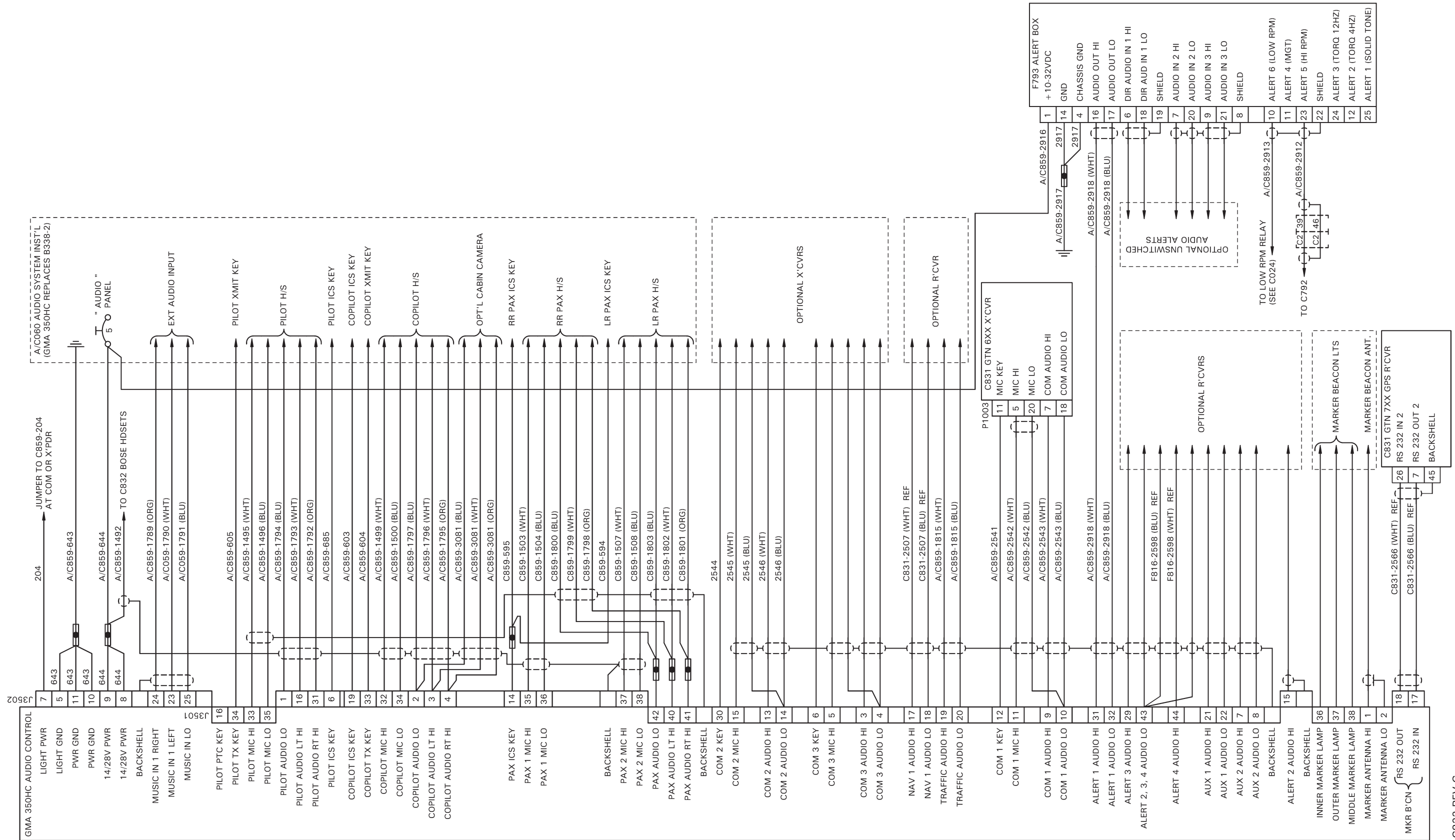
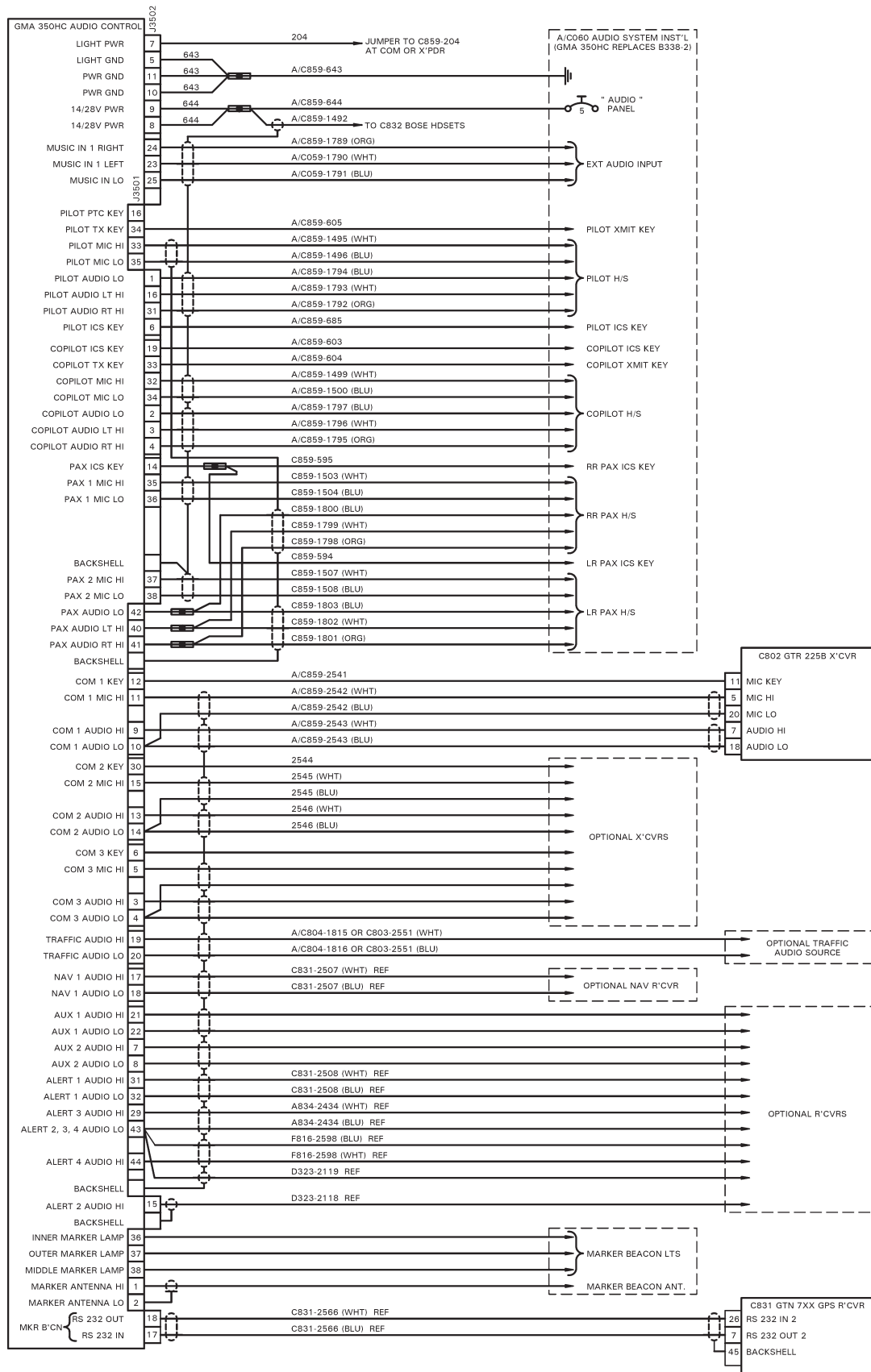


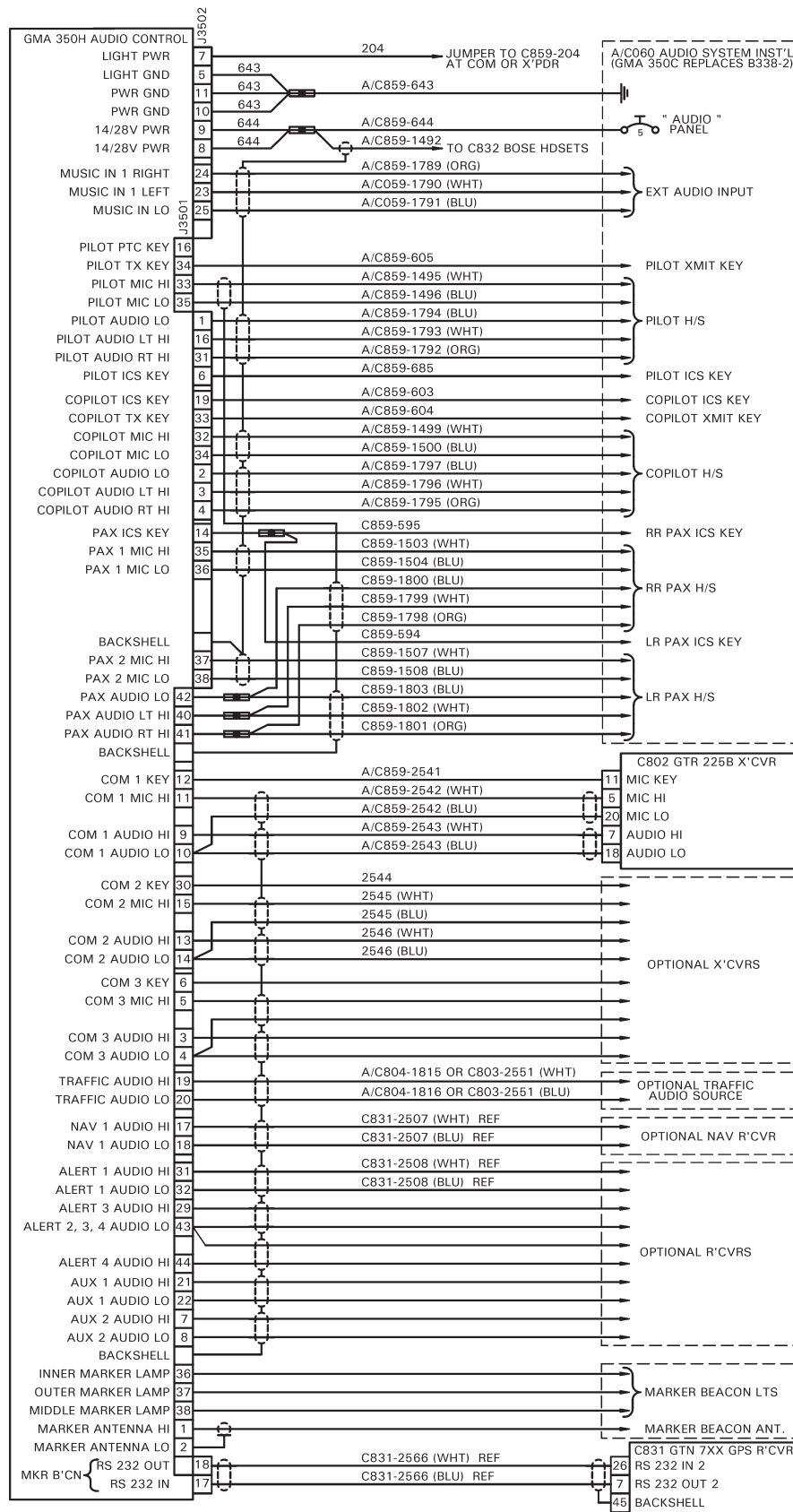
FIGURE 14-47 C822-1 AUDIO CONTROL SCHEMATIC (GARMIN GMA 350HC)

Intentionally Blank



C822 REV D

FIGURE 14-48A C822-1 AUDIO CONTROL SCHEMATIC (GARMIN GMA 350HC)



C822 REV C

FIGURE 14-48B C822-1 AUDIO CONTROL SCHEMATIC (GARMIN GMA 350H; EARLIER SHIPS)

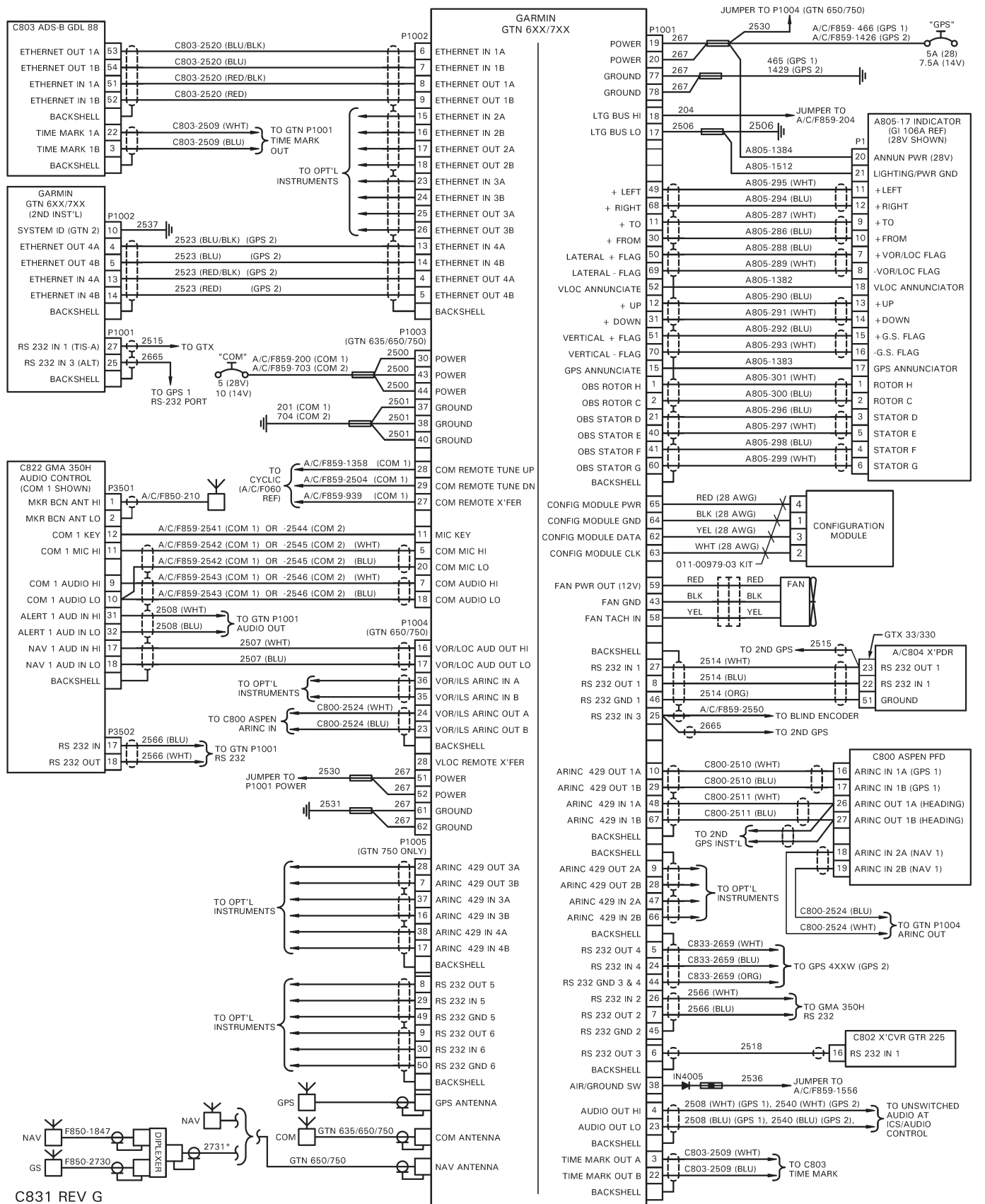


FIGURE 14-49 C831 GPS SCHEMATIC (GARMIN GTN 600 SERIES)

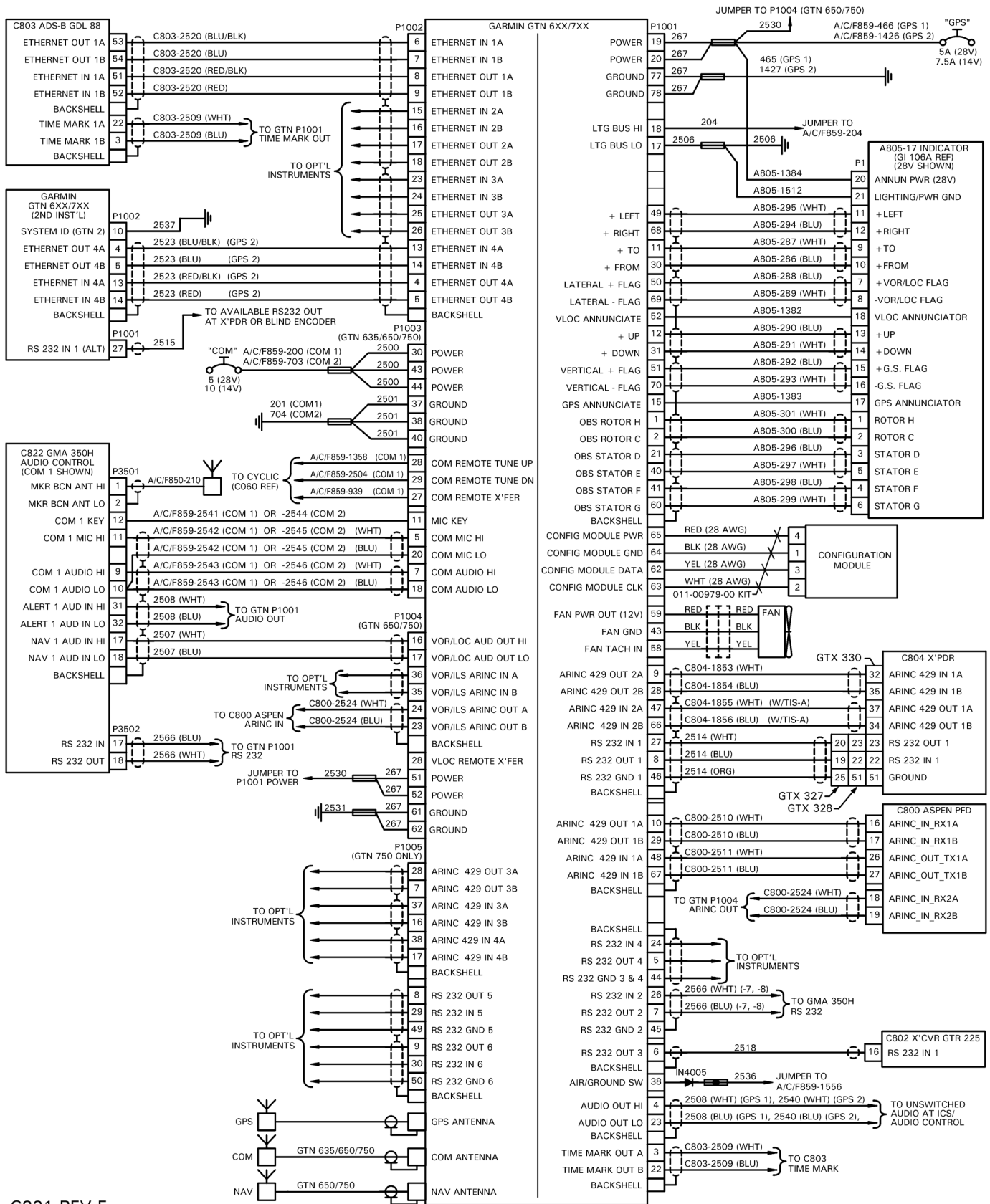
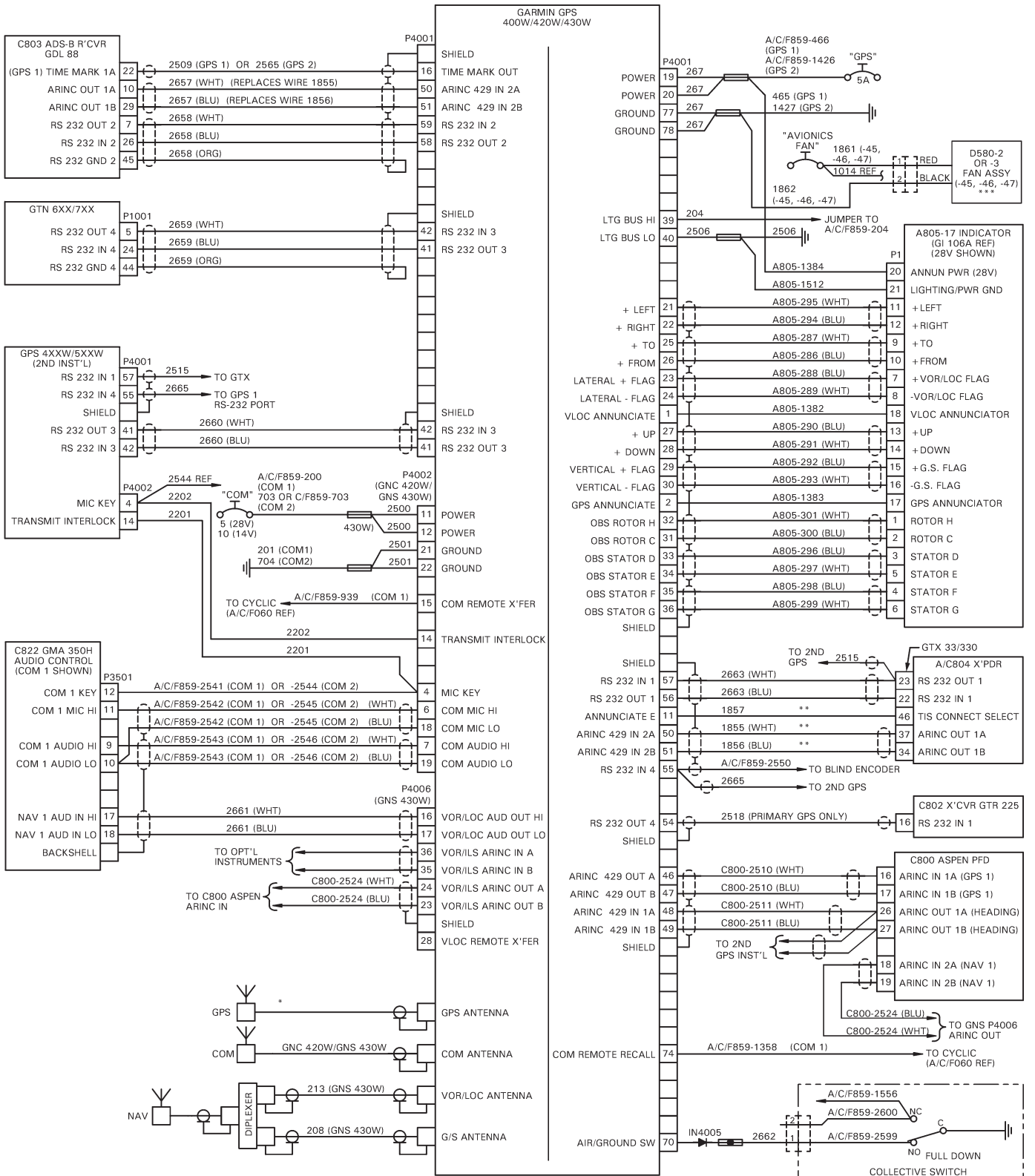


FIGURE 14-50 C831 GPS SCHEMATIC (GARMIN GTN 600 SERIES; EARLIER SHIPS)



* Use C/F850-51 (upr AFT T/C pad) if ELT installed.
 ** Omit wires -1855, -1856, & -1857 if alternate traffic receiver/system installed (e.g GDL 88 ADS-B r'cvr).
 *** Use D580-2 for 28V instl's & D580-3 for 14V instl's.

C833 REV T

FIGURE 14-51 C833 GPS SCHEMATIC (GARMIN 400 SERIES)

Intentionally Blank