

A908-4 Yoke Conversion Kit Instructions

Replaces obsolete A006-5 yoke assembly on rotorcraft with rotor brake.

NOTE

Visit www.robinsonheli.com to verify kit instructions are current revision. Review instructions before installation; contact RHC Technical Support with questions. Verify kit contents match list; contact RHC Customer Service if parts are missing or damaged.

ITEM	PART NUMBER	KIT CONTENTS	QTY
1	KI-60AInstr.	Kit Instructions	1
2	A908-4	Yoke Assembly	1
3	B252-6	Bracket	1
4	MS24665-210	Cotter Pin	1

Kit Instructions

1. Remove A006-5 yoke per R22 Maintenance Manual (MM) § 7.140.
2. Remove both A040-3 hall effect senders from B114-1 bracket and (2) B114-2 blocks. Remove bracket and blocks and discard.
3. Refer to Figure 1. Install B252-6 bracket and hall effect senders. Torque (2) MS20074-04-15 bolts to 60 in-lb.
4. Safety wire (2) MS20074-04-15 bolts and check electrical connections for installation and security. Safety wire is easier with yoke removed.
5. Install A908-4 yoke and set hall effect sender gaps per MM §§ 7.140 and 7.141.
6. Make appropriate maintenance record entries.

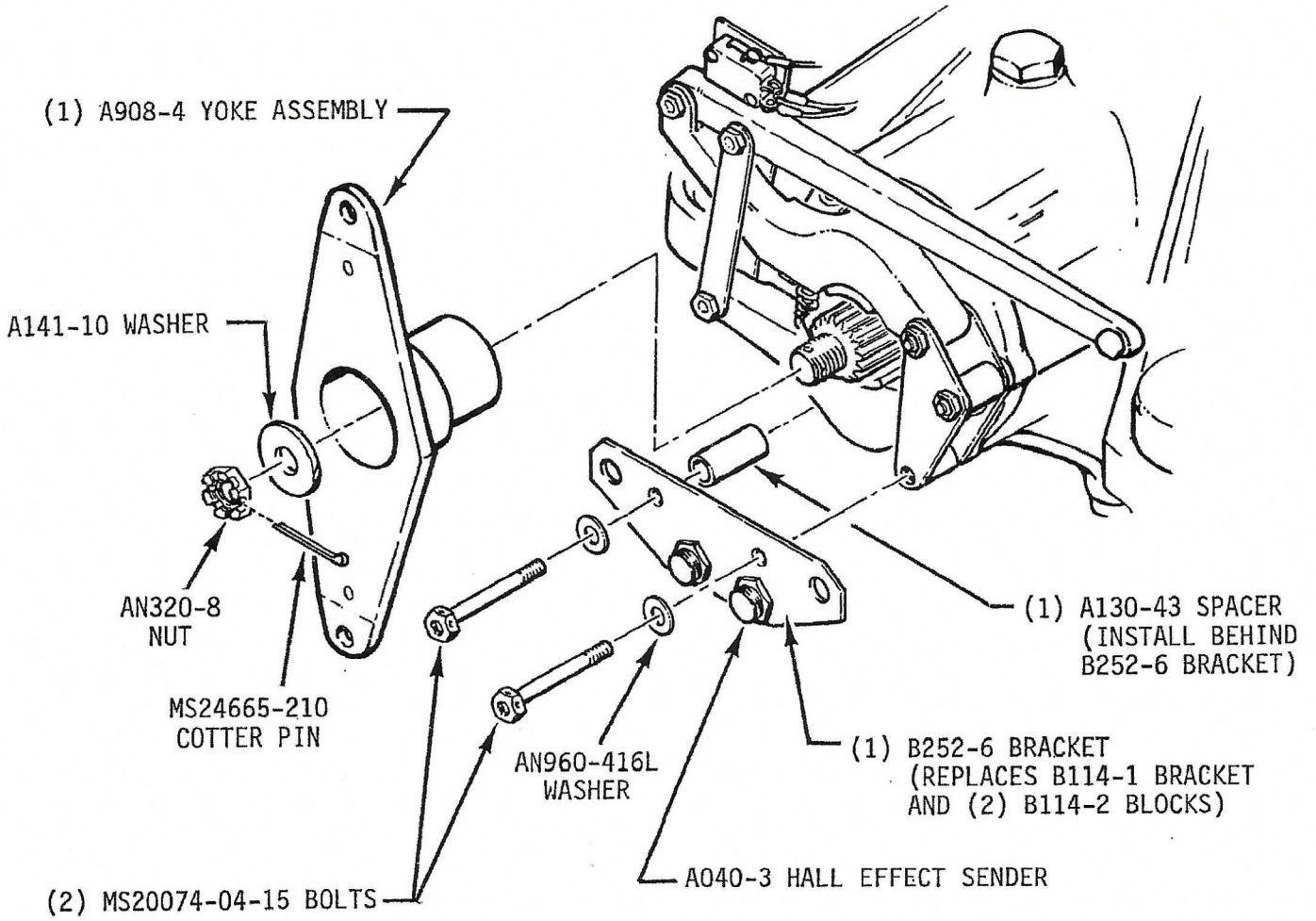


FIGURE 1