

17 April 1996

KI-100 "GOVERNOR OFF" CAUTION LIGHT INSTALLATION KIT

KIT CONTENTS:

1 ea	A059-577	Wire Assembly
1 ea	A654-89	Decal, "GOV OFF"
1 ea	B049-5	Light Assembly
1 ea	B261-2	Splice, Butt
1 ea	B263-12	Housing
1 ea	B804-3	Harness Assembly (incl B280-4 relay assy)
1 ea	KI-100	Instructions
10 ea	MS3367-4-9	Ty-raps
20 ea	MS3367-5-9	Ty-raps

INSTRUCTIONS:

1.

CAUTION

Protect wires from drill bit.

Reference Figure 1A (or Figure 1B if equipped with ten-hole instrument panel). Locate and drill one 0.469 inch diameter hole in face. Remove any drilling debris and deburr hole. Locate and install A654-89 decal.

2. Reference Figures 1A (or 1B, as applicable) and 2. Install B049-5 light assembly into 0.469 inch diameter hole.

CAUTION

Ensure electrical terminal posts on back of light socket will not contact surrounding structure when upper console (or ten-hole panel) is closed.

3. Reference Figure 2. Insert light assembly's wiring pins securely into B263-12 housing. Connect light assembly's B263-12 housing to B804-3 harness' B263-13 housing (containing wires -694 and -695).

4. Reference Figure 2. Locate and follow -44 wire from OIL pressure warning light to either an A448-3 bus bar or 601716-4 warning lights terminal block. From B804-3 harness assembly, route and attach wire -695 to same bus bar or terminal block, as applicable.

NOTE

Newer ships have a 601716-4 terminal block on each side of upper console; one terminal block is for instrument lighting and the other is for warning lights. If console has only one terminal block then it is for instrument lighting; warning lights are connected to a plastic-covered copper strip ty-rapped to console's main wire harness.

17 April 1996

5. Reference Figure 2. From B804-3 harness assembly, route and attach wire -693 to upper console's ground bus bar (located at forward end of console, attach terminal to stud having fewest wires).
6. Reference Figure 2. From B804-3 harness assembly, route wire -577 along main wire harness to upper console's #1 electrical connector (identified with white tape on newer aircraft). Disconnect #1 electrical connector and install -577 wire's pin in hole 37 of connector (console side). Ensure pin is securely seated in correct hole. Secure B804-3 harness to console's main wire harness using MS3367-5-9 and MS3367-4-9 ty-raps, as required.
7. Reference Figure 2. Install A059-577 wire assembly's (marked "577") B264-2 socket in hole 37 of airframe side of upper console's #1 electrical connector. Ensure socket is securely seated in correct hole. Connect #1 electrical connector.
8. Reference Figure 2. From #1 electrical connector, route and ty-rape new -577 wire along main wire harness to a point along existing -577 wire approximately .4 inches away from noted B263-33 housing. Trim newly-installed -577 wire as required.
9. Using B261-2 butt splice, connect newly-installed -577 wire to existing -577 wire per Figure 2. Use AMP p/n 598-24-1R crimping tool or equivalent. Ty-rape wires as required.
10. Turn master battery switch ON. Ensure NAV LTS switch is OFF. With governor on-off switch in OFF position, verify GOV OFF caution light illuminates. Pull GOV circuit breaker and verify GOV OFF light remains illuminated; push GOV circuit breaker in. Failure of GOV OFF light to illuminate with switch in OFF position indicates B280-4 relay may not be grounded or GOV-OFF warning light may not be receiving power. Troubleshoot system and rectify any problem(s).
11. With master battery switch ON and NAV LTS switch OFF, switch governor on-off switch to ON position and verify GOV OFF light extinguishes. Failure of GOV OFF light to extinguish with switch in ON position indicates B280-4 relay may not be receiving power or may not be grounded. Troubleshoot system and rectify any problem(s).

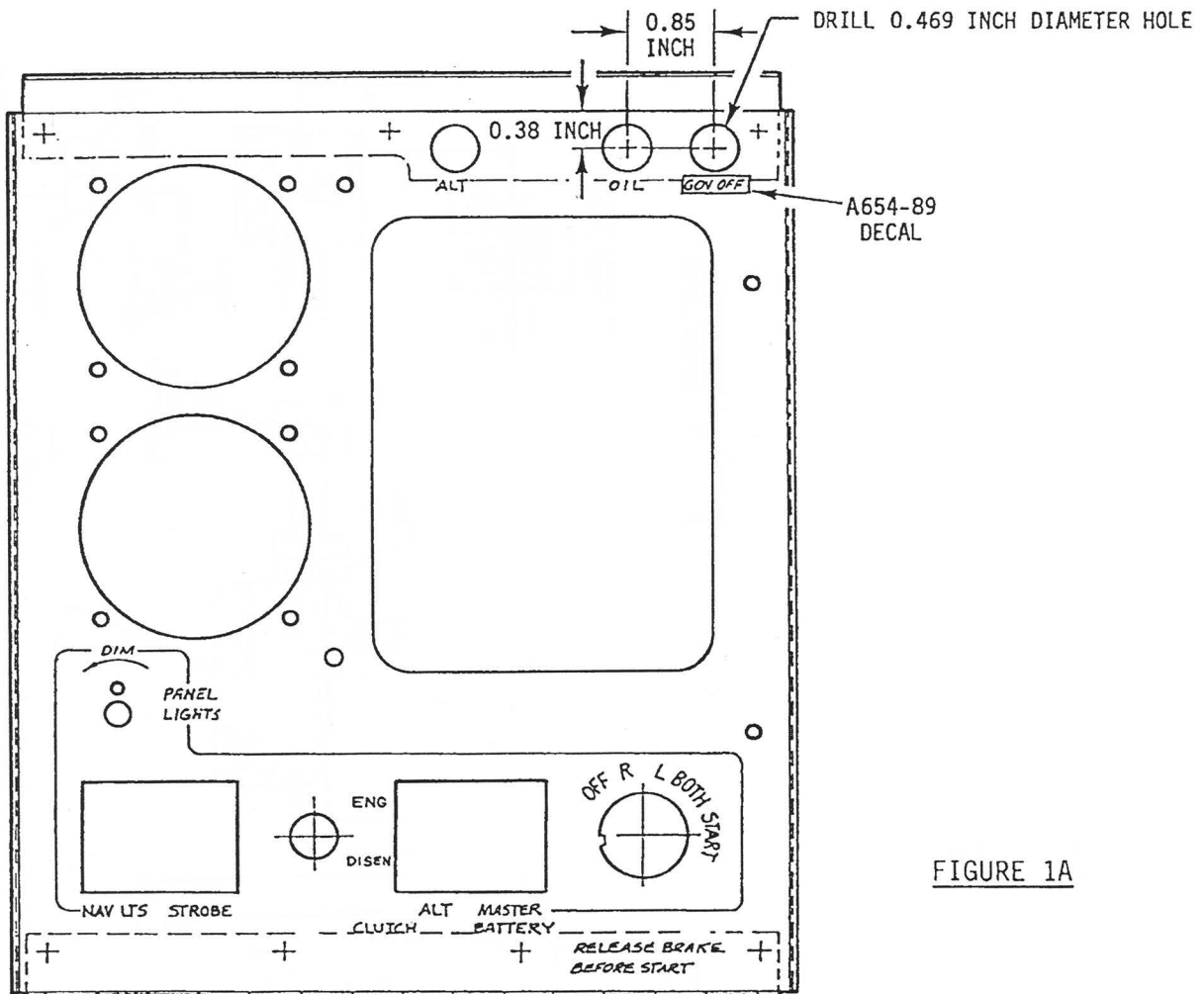


FIGURE 1A

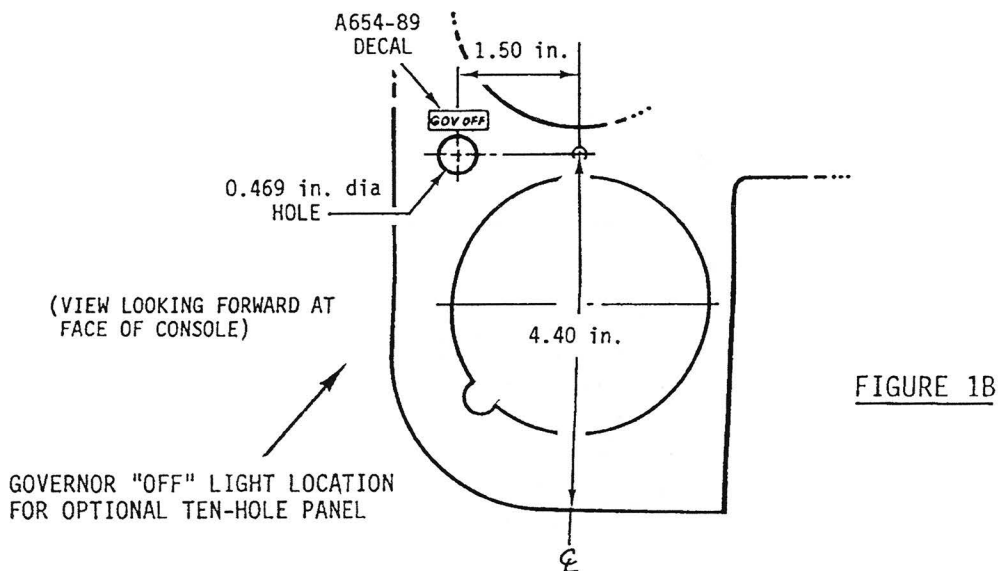
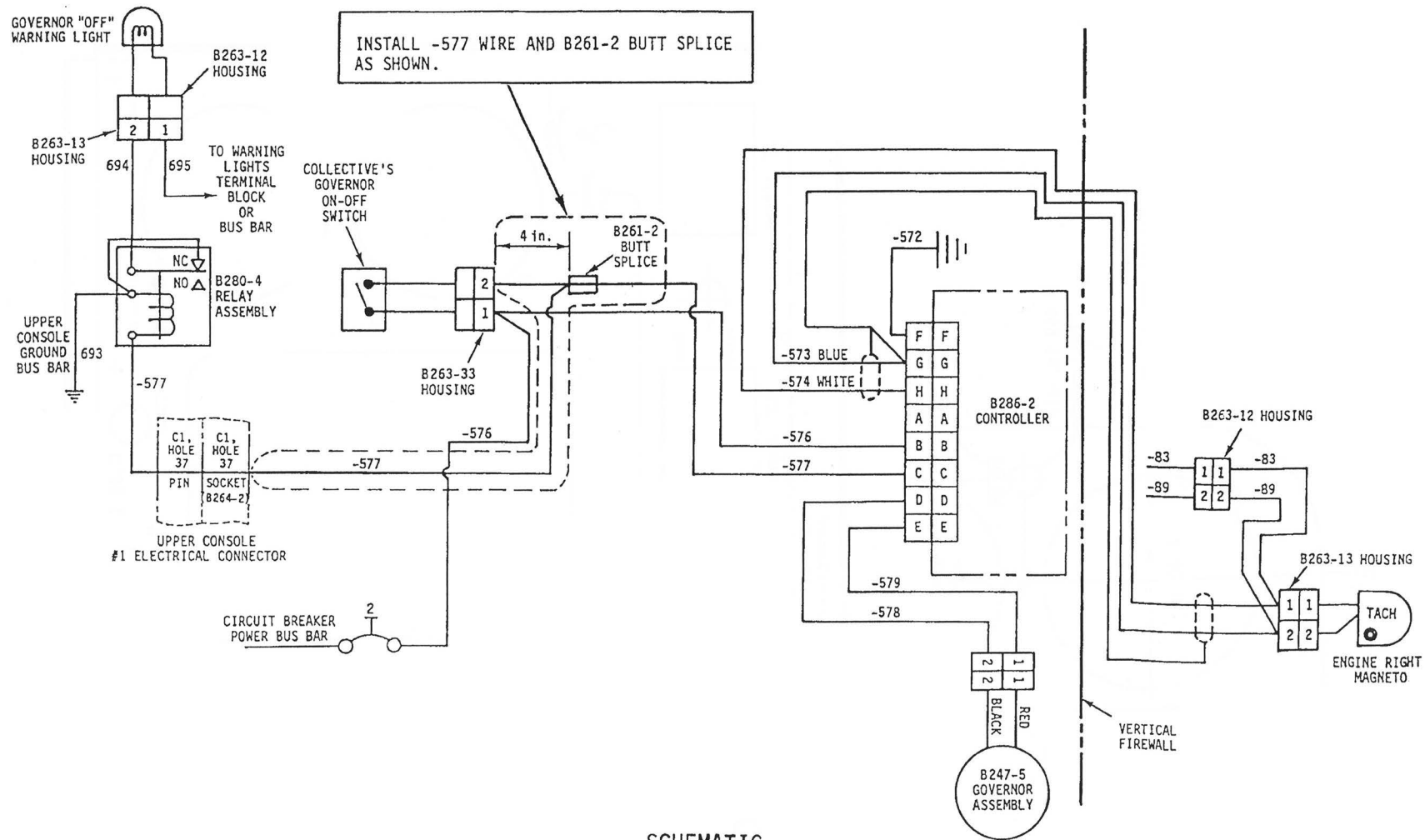


FIGURE 1B

17 April 1996



SCHEMATIC

FIGURE 2