

R66 Fuel Cap Lock Assembly Installation Kit Instructions

Installs lock assembly over fuel cap on main tank.

NOTE

Visit www.robinsonheli.com to verify kit instructions are current revision. Review instructions before installation; contact RHC Technical Support with questions. Verify kit contents match list; contact RHC Customer Service if parts are missing or damaged.

ITEM	PART NUMBER	KIT CONTENTS	QTY
1	KI-279Instr.	Kit Instructions	1
2	A130-21	Spacer	8
3	F688-2	Fuel Cap Lock Assembly	1
4	F688-5	Bar	2
5	NAS1351-3-18P	Screw	4
6	NAS1149F0332P+	Washer (Note: "+" in part number indicates 20-qty pack)	1

Consumables

Refer to R66 Maintenance Manual (MM) § 20-70 for approved materials list.

- Acetone
- B270-1 Sealant

Kit Instructions

CAUTION

Take care when removing nut & washer from inside F250 cover to avoid loose hardware dropping into fuel tank.

1. Refer to Figure 1. Remove (2) MS27039C1-08 screws securing G271-1 guard to F250 cover. Remove F689-1 fuel cap. Remove (2) MS27039C1-08 screws, (2) NAS1149F0332P washers, and (2) D210-3 nuts directly opposite of removed guard. Discard all screws and washers; retain nuts.
2. Clean area at two forward installation holes, on both sides of cover, using acetone on a clean, lint-free cloth.
3. Refer to Figure 2. Install (2) NAS1351-3-18P cap screws, (1) F688-5 bar, and (4) A130-21 spacers into nutplates, securing guard. Install (2) NAS1351-3-18P cap screws, (1) F688-5 bar, (4) A130-21 spacers and (2) NAS1149F0332P washers thru cover; secure using (2) NAS1149F0332P washers and (2) retained D210-3 nuts. Standard torque per R66 Maintenance Manual (MM) § 20-32.
4. Refer to Figure 3. Apply B270-1 sealant to both sides of cover assembly, around outer edge of NAS1149F0332P washers. Allow to dry per manufacturers' specifications.

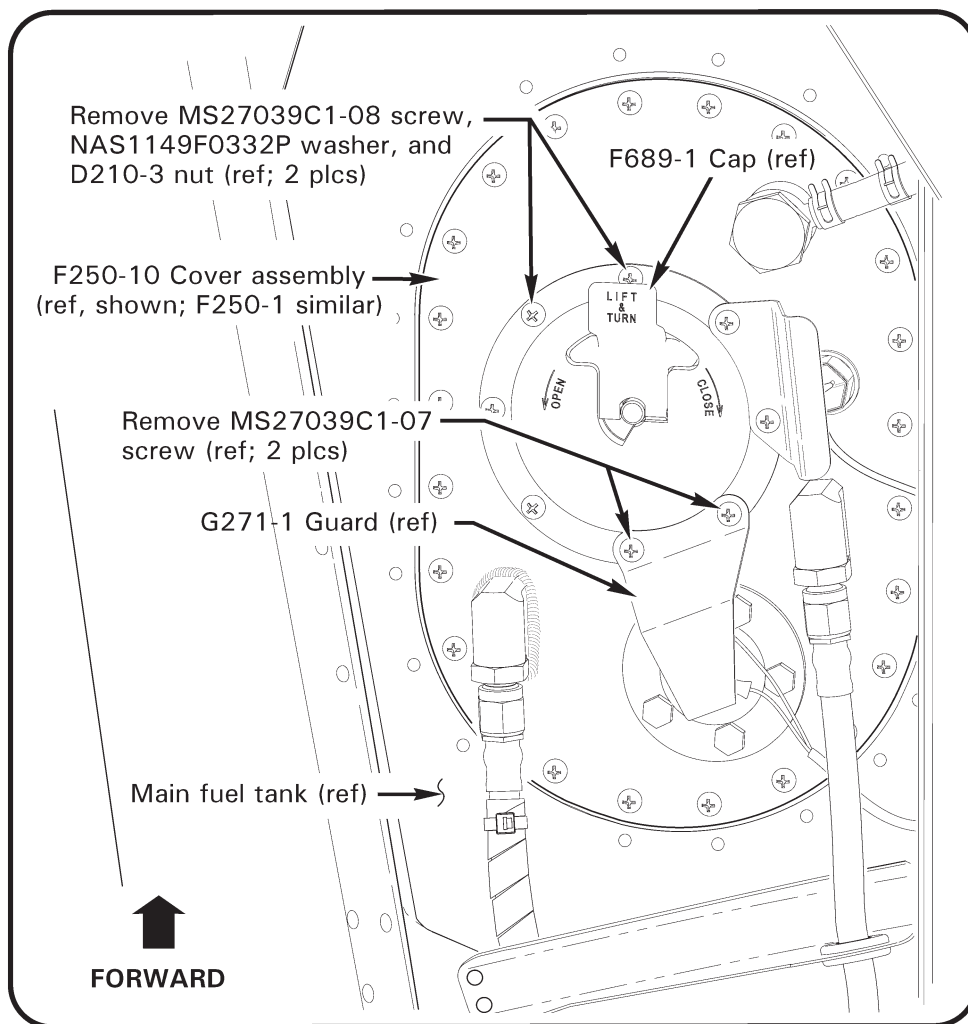
Kit Instructions (continued)

5. Install F689-1 fuel cap; position handle to inboard or outboard side.
6. Refer to Figure 4. Using key, position lock cam to side. Slide hooks of F688-2 lock assembly under F688-5 bar and lower pins into (opposite side) cap screws. Using key, turn lock until cam is positioned under bar.
7. Revise helicopter's Weight and Balance Record in Pilot's Operating Handbook (POH) Section 6 to reflect this installation by incorporating the following data:

Add:

Item	Weight	Long. Arm	Long. Moment	Lat. Arm	Lat. Moment
KI-279 R66 Fuel Cap Lock Assy Inst'l Kit	+0.32 lb	98.61 in.	31.56 in-lb	-17.29 in.	-5.53 in-lb

8. Make appropriate maintenance record entries.



**FIGURE 1 Main fuel bladder F250 cover assembly
(F250-10 cover shown)**

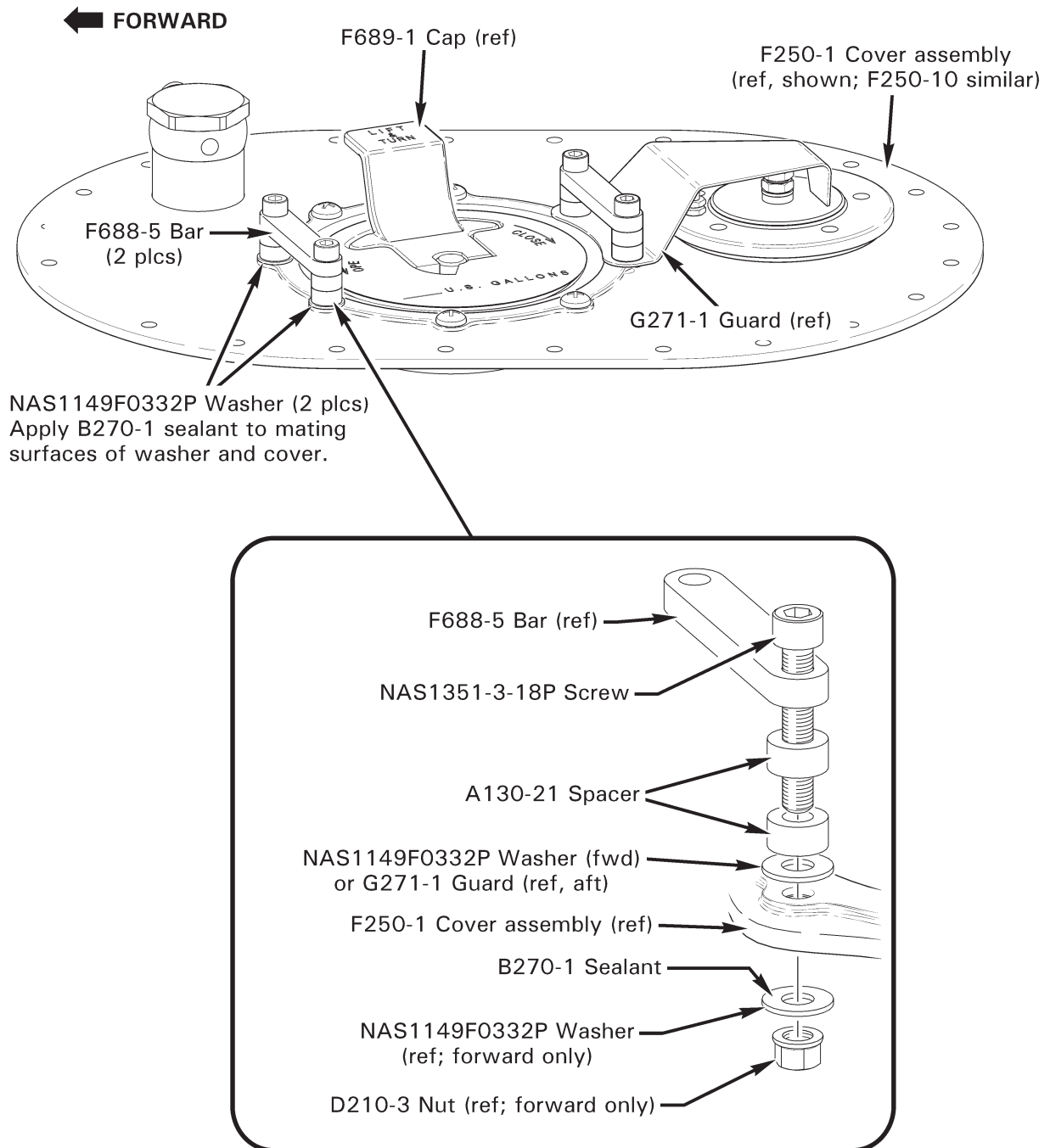


FIGURE 2 Installation of F688-5 bars
(typical, 4 places)



FIGURE 3 B270-1 sealant applied to cover top side
(F250-10 cover shown; F250-1 similar)

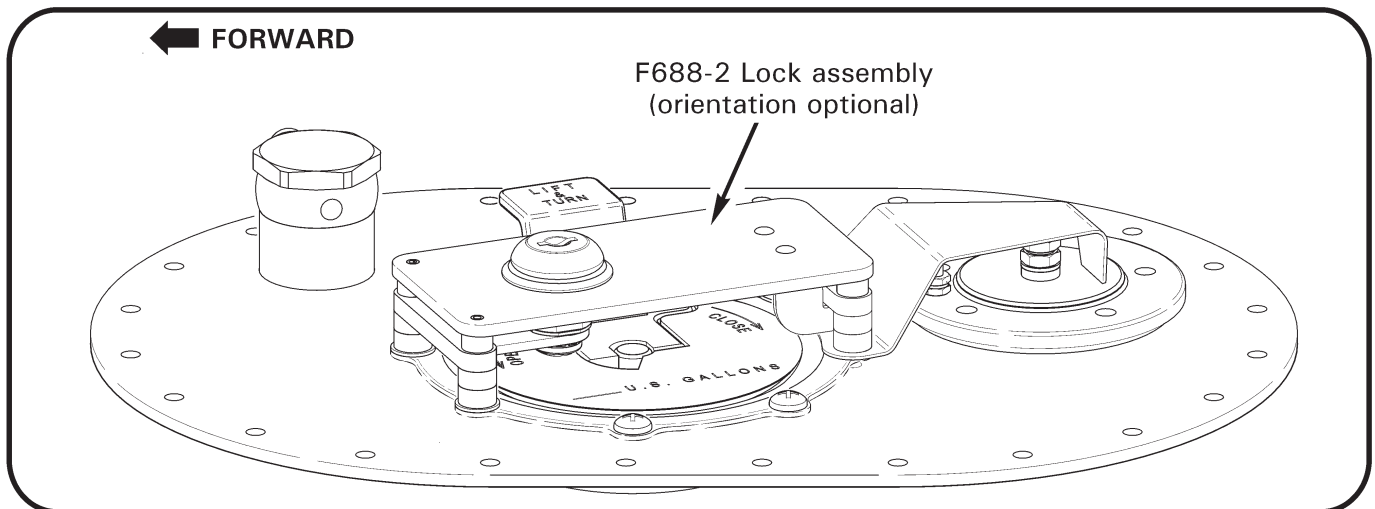


FIGURE 4 F688-2 Lock assembly installed
(F250-1 cover shown; F250-10 similar)