

**CHAPTER 99**

**SPECIAL TOOLS**

<i>Figure</i>	<i>Title</i>	<i>Page</i>
—	Special Tools . . . . .	99.1
99-3	Shipping Crates . . . . .	99.2
99-5	Shipping Crates . . . . .	99.4
99-7	KI-18 Vertical Firewall Doubler Installation . . . . .	99.6
99-9	KI-40 Dual Tachometer Installation Kit . . . . .	99.8
99-11	KI-65 Altitude Indicator and KI-66 Directional Gyro Installation Kits . . . . .	99.10

Intentionally Blank

FIGURE AND INDEX NUMBER	PART NUMBER	DESCRIPTION	PARTS AVAIL	QTY PER ASSY
		<p style="text-align: center;">SPECIAL TOOLS</p> <p>See R22 Maintenance Manual for Special Tools.</p> <p>See R22 Kit Instructions, online at <a href="http://www.robinsonheli.com">www.robinsonheli.com</a>, for Kits.</p> <p>See R22 Price List, online at <a href="http://www.robinsonheli.com">www.robinsonheli.com</a>, for Technical Publications part numbers.</p>		
NOTES				

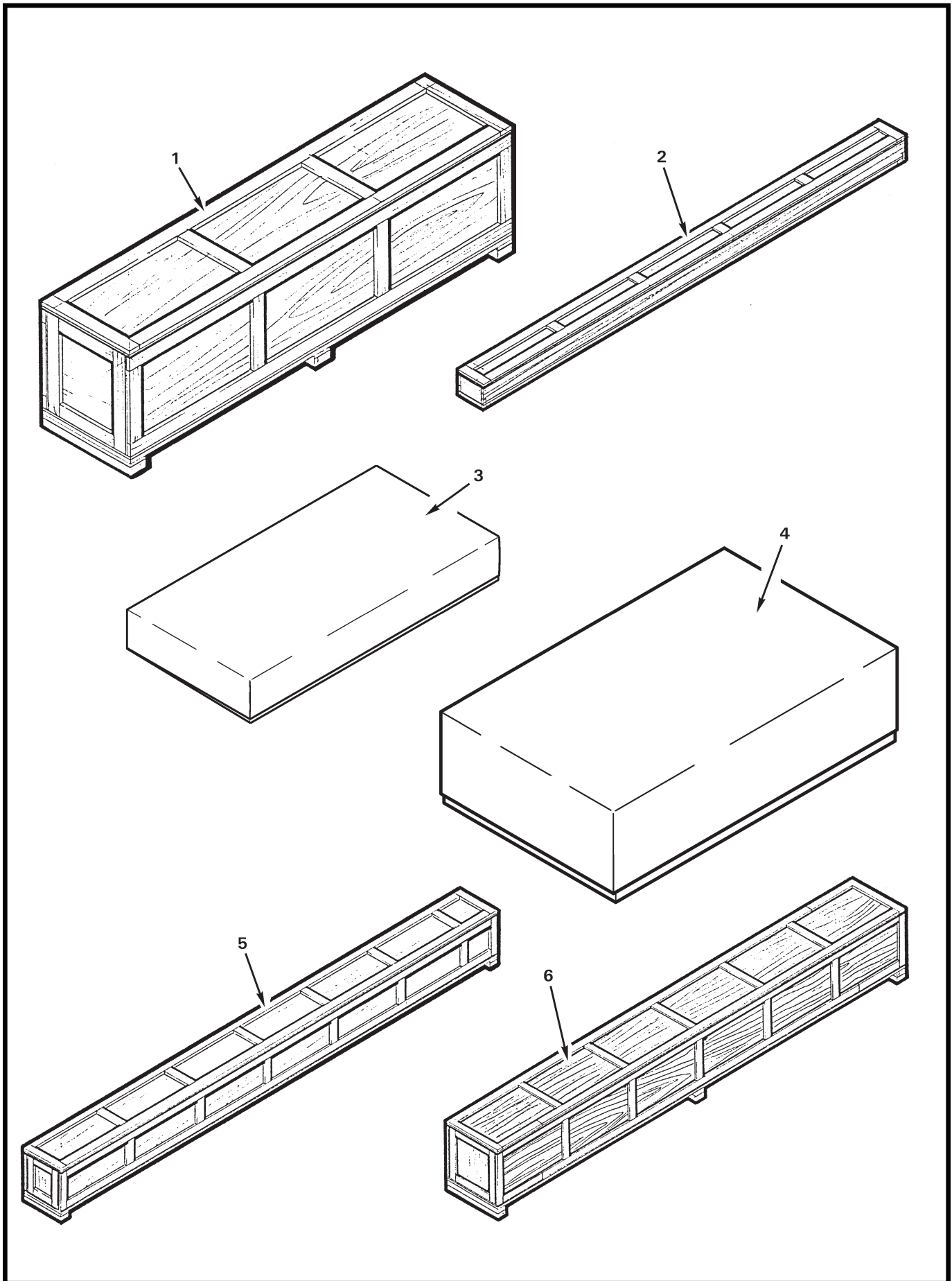


FIGURE AND INDEX NUMBER	PART NUMBER	DESCRIPTION	PARTS AVAIL	QTY PER ASSY
<b>SHIPPING CRATES*</b>				
99-3-1	R5167	Main Rotor Gearbox Crate (69 x 19 x 22, ~ 160 lbs.) . . . . .	X	1
2	R5168	Push-Pull Tube/Tail Rotor Drive Shaft Crate (161 x 12 x 12, ~ 103 lbs.) . . . . .	X	1
3	R5169**	Cabin Door Crate (60 x 29 x 10, ~ 25 lbs.; holds 2 doors) . . .	X	1
4	R5170**	Windshield Crate (63 x 40 x 17, ~ 45 lbs.; holds 4 windshields) . . . . .	X	1
5	R5171	Main Rotor Blade Crate (165 x 15 x 18, ~ 230 lbs; holds 2 blades) . . . . .	X	1
6	R5172	Tailcone Crate (153 x 19 x 22, ~ 190 lbs.) . . . . .	X	1

**NOTES** \* All weights and dimensions are approximations and subject to variation. Dimensions given are in inches, and describe length, width, and height, respectively.  
 \*\* Cardboard box.

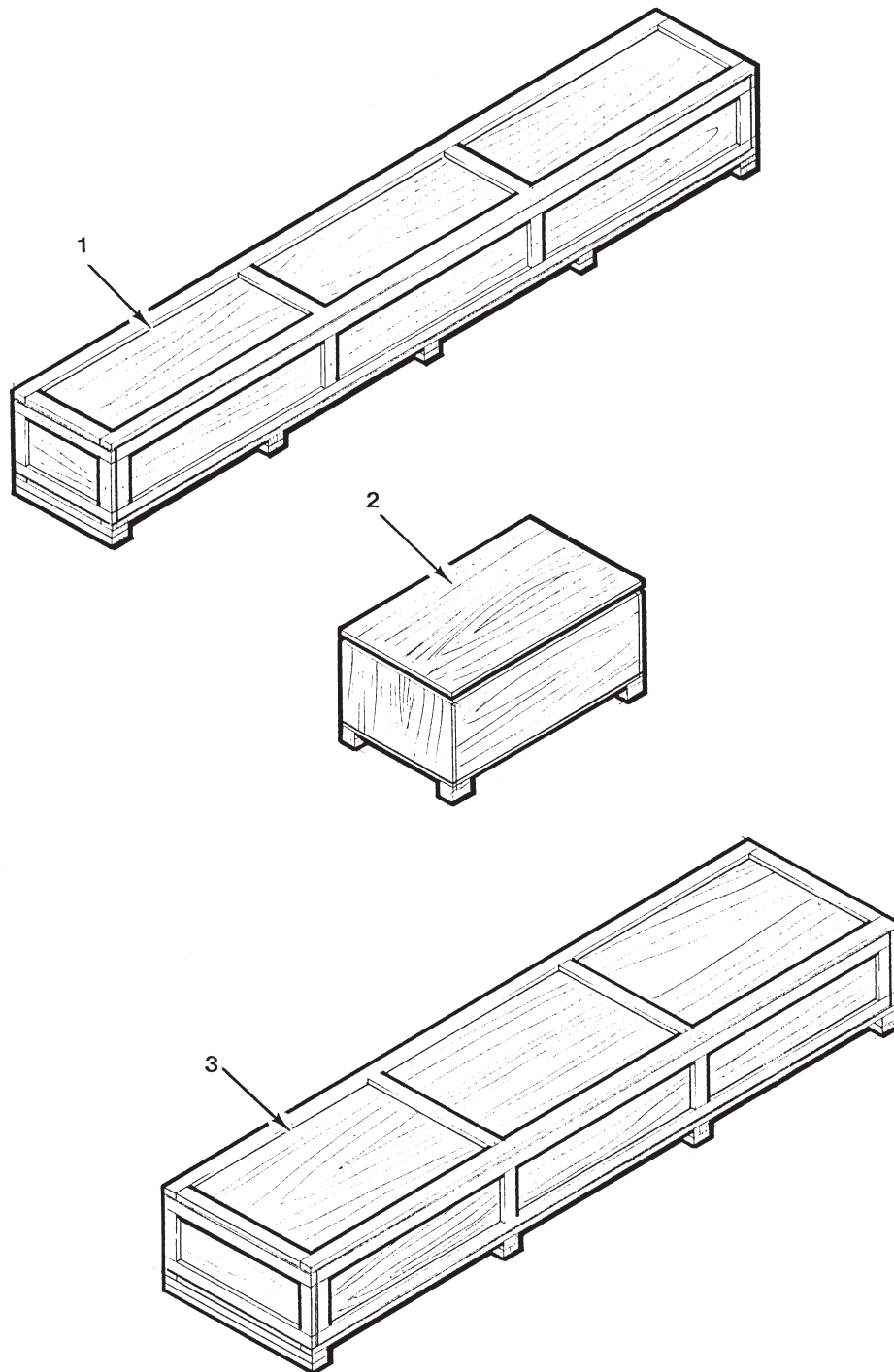


FIGURE AND INDEX NUMBER	PART NUMBER	DESCRIPTION	PARTS AVAIL	QTY PER ASSY
<b>SHIPPING CRATES*</b>				
99-5-1	R5519	Main Rotor Blade/Tailcone Crate (159 x 25 x 22) . . . . .	X	1
2	MT899-1	Tow Cart Crate (67 x 38 x 31, ~572 lbs.) . . . . .	X	1
3	R7422	Float Crate (144 x 36 x 21) . . . . .	X	1

**NOTES** \* All weights and dimensions are approximations and subject to variation. Dimensions given are in inches, and describe length, width, and height, respectively.

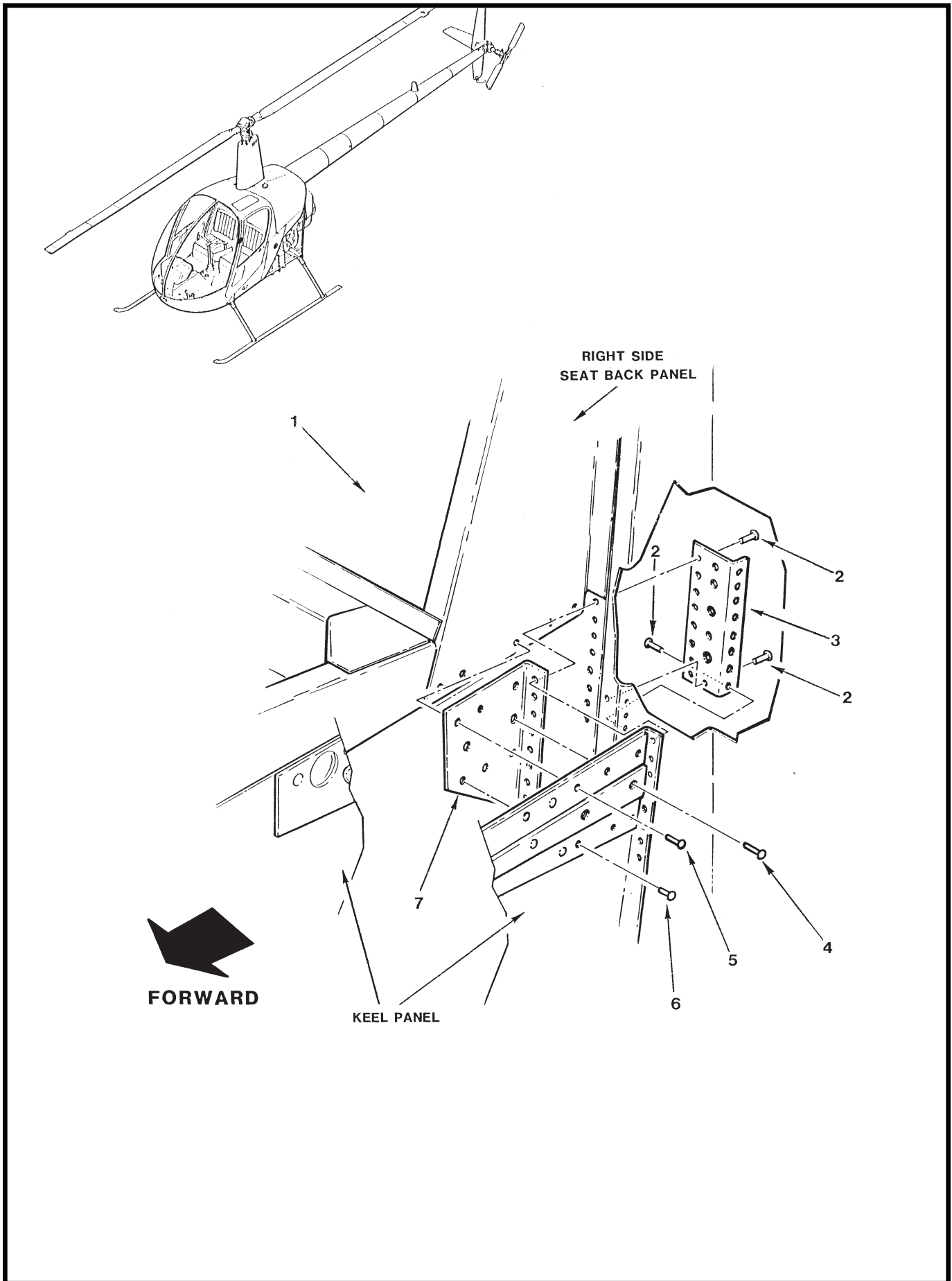




FIGURE AND INDEX NUMBER	PART NUMBER	DESCRIPTION	PARTS AVAIL	QTY PER ASSY
KI-18 VERTICAL FIREWALL DOUBLER INSTALLATION				
99-7-1	KI-18	Vertical Firewall Doubler Installation Kit (Incl items 2 thru 9) . .	X	1
2	MS20615-3M3	Rivet . . . . .	X	22
3	B809-2	Doubler . . . . .	X	1
4	MS20470AD4-7	Rivet . . . . .	X	4
5	MS20470AD4-6	Rivet . . . . .	X	5
6	MS20470AD4-4	Rivet . . . . .	X	9
7	B809-1	Doubler . . . . .	X	1
8	—	Drill Bit (#30, not shown) . . . . .	X	1
9	—	Drill Bit (#40, not shown) . . . . .	X	1

NOTES

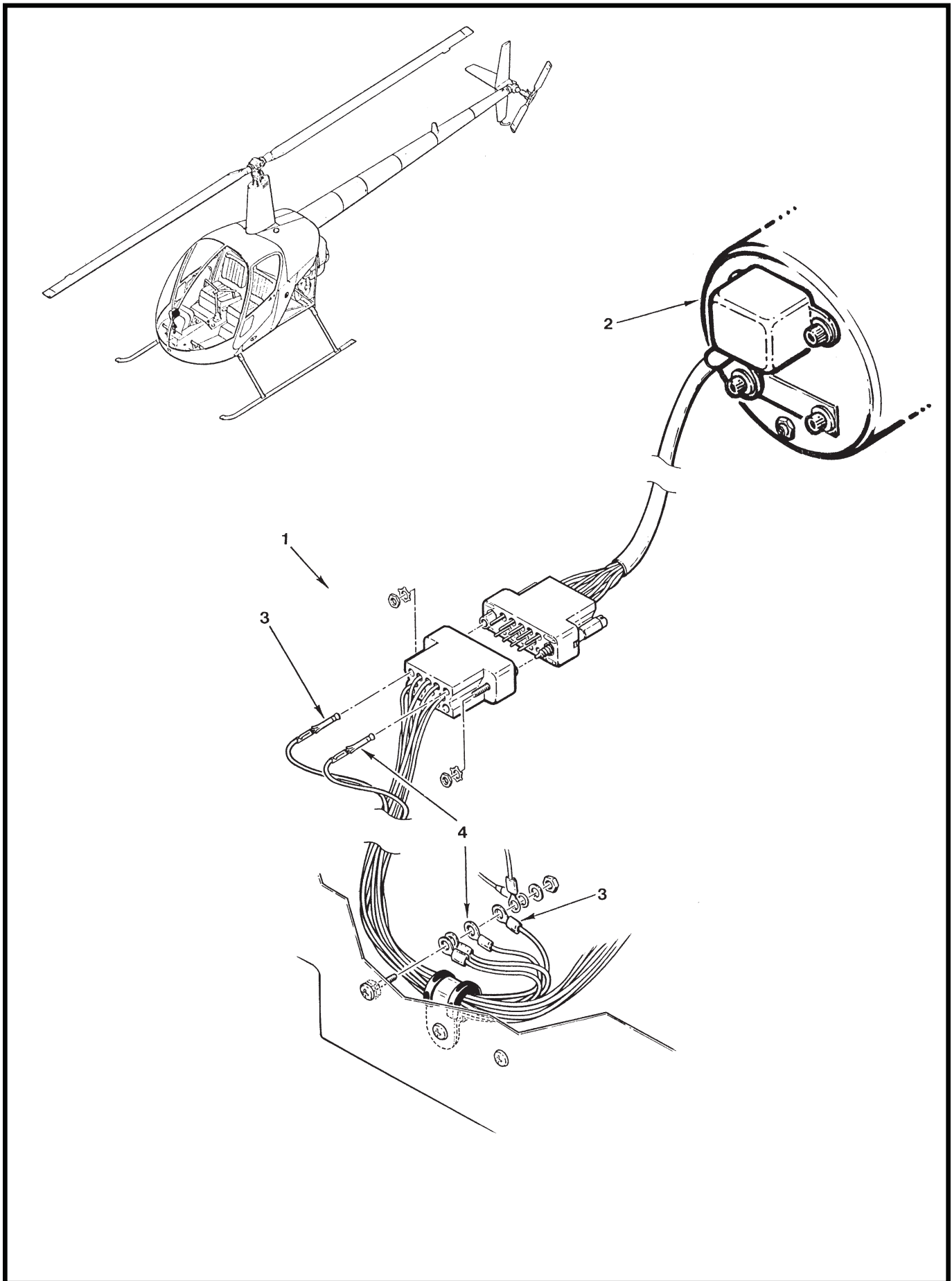
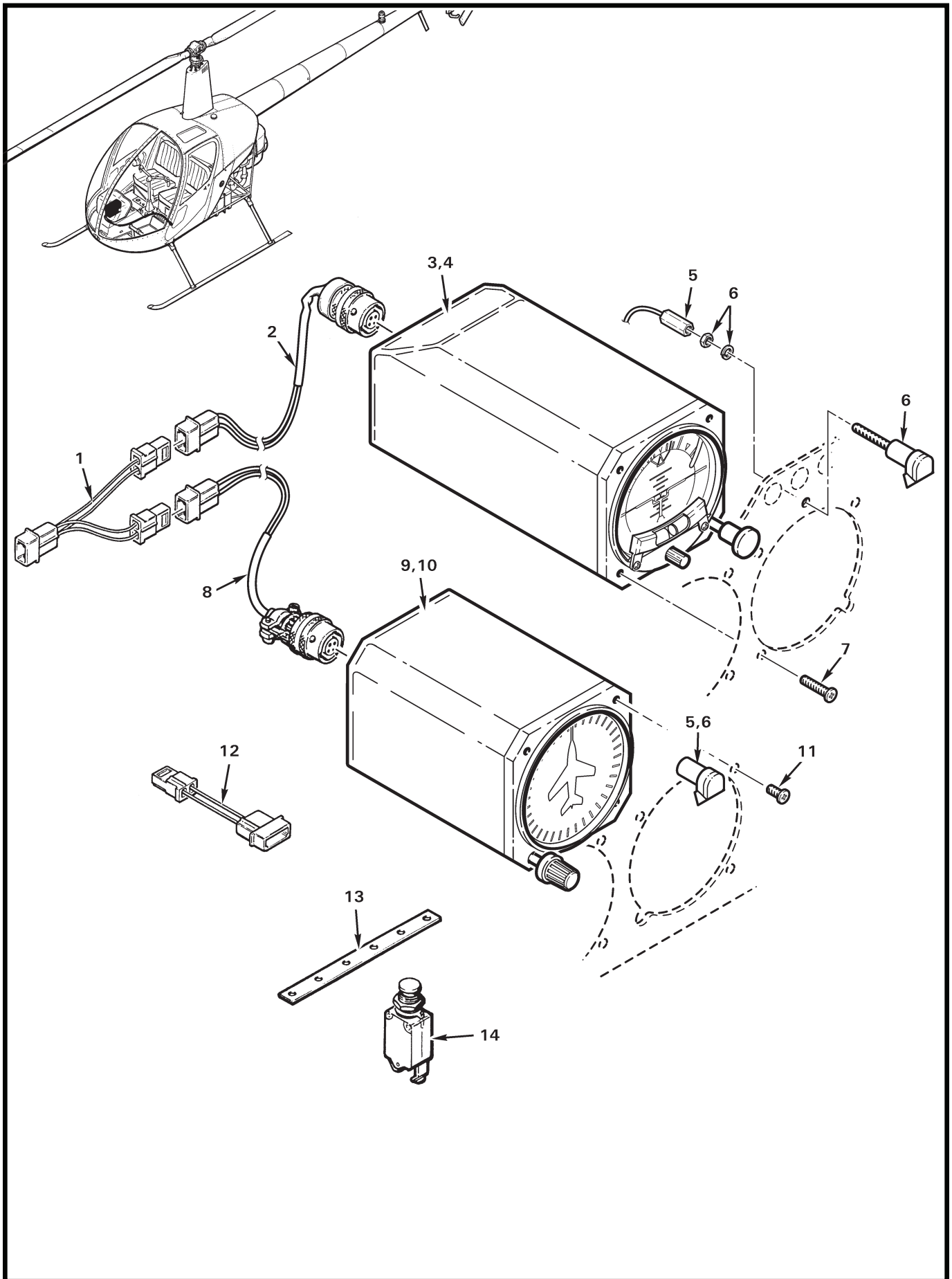


FIGURE AND INDEX NUMBER	PART NUMBER	DESCRIPTION	PARTS AVAIL	QTY PER ASSY
<b>KI-40 DUAL TACHOMETER INSTALLATION KIT</b>				
99-9-1	KI-40-1	Dual Tach Installation Kit (ship S/N 0002 thru 0470; includes items 3 and 4) . . . . .	O	1
2	A792-2	Dual Tachometer (Ref, no longer available)		
	A792-4	Dual Tachometer (Ref, no longer available)		
3	KI-40-2	Wire Assembly . . . . .	O	1
4	KI-40-3	Wire Assembly . . . . .	O	1
* * *				
5	B817-1	Tachometer Filter Assembly (Not shown; required for Rev "F" and earlier A792 tachometers. See Figure 96-21.) . . . . .	X	1

NOTES



I Page 99.10 FIGURE 99-11 KI-65 ALTITUDE INDICATOR AND KI-66 DIRECTIONAL GYRO MAY 2021 INSTALLATION KITS

FIGURE AND INDEX NUMBER	PART NUMBER	DESCRIPTION	PARTS AVAIL	QTY PER ASSY
<b>KI-65 ALTITUDE INDICATOR AND KI-66 DIRECTIONAL GYRO INSTALLATION KITS</b>				
99-11-1	B802-3	Harness Assembly (splitter) . . . . .	X	1
2	B802-1	Harness Assembly . . . . .	X	1
3	KI-65	Attitude Indicator with Inclinator Installation Kit (Incl items 1, 2, 4 thru 7, 12 thru 15, and 17) . . . . .	X	1
4	B823-12	Attitude Indicator with Inclinator . . . . .	X	1
5	B195-9	Connector Nut . . . . .	X	1
6	B195-10	Post Light (includes B196-1 lamp) . . . . .	X	1
	B196-1	Lamp . . . . .	X	1
7	MS24693-S30	Screw . . . . .	X	3
8	B802-2	Harness Assembly . . . . .	X	1
9	KI-66	Directional Gyro Installation Kit (Incl items 1, 5, 6, 8, 10 thru 15, and 17) . . . . .	X	1
10	B823-11	Directional Gyro . . . . .	X	1
11	MS24693-S26	Screw . . . . .	X	3
12	B802-4	Harness Assembly (adapter) . . . . .	X	1
13	A448-1	Bus Bar . . . . .	X	1
14	B297-5	Circuit Breaker (5-amp) . . . . .	X	1
15	B260-2	Terminal (not shown) . . . . .	X	1
16	B263-14	Housing (not shown) . . . . .	X	1
17	MS3367-4-9	Ty-Rap (not shown) . . . . .	X	10

NOTES

Intentionally Blank