

CHAPTER 95

INSTRUMENT SYSTEM

<i>Figure</i>	<i>Title</i>	<i>Page</i>
95-1	Six-Instrument Console Assembly	95.0
95-5	Six-Instrument Console Assembly	95.4
95-9	Eight-Instrument Console Assembly	95.8
95-13	Six-Instrument Console Assembly – Lower Panel, High Console	95.12
95-15	Six-Instrument Console Assembly – Lower Panel, High & Low Console	95.14
95-18A	Eight-Instrument Console Assembly – Lower Panel	95.18
95-18C	Six-Instrument Console Assembly – Components, High Console	95.18B
95-18G	Eight-Instrument Console Assembly – Components	95.18F
95-21	Aspen PFD Installation	95.20
95-23	Aspen PFD Installation – Pitot/Static Lines	95.22
95-25	Upper Console – Seven-Instrument	95.24
95-29	Lower Panel – Seven-Instrument	95.28
95-33	Upper Console – Nine-Instrument	95.32
95-35	Upper Console – Ten-Instrument/IFR Trainer	95.34
95-39	Upper Panel – Ten-Instrument/IFR Trainer	95.38
95-43	Upper Console – Five-Instrument	95.42
95-47	Lower Instrument Panel	95.46
95-51	Tachometer and Low RPM Warning Unit	95.50
95-53	Pictorial Navigation System (HSI)	95.52
95-55	Digital Clock Installation	95.54
95-57	Engine Instrument Senders and Test Switches	95.56
95-61	Pitot/Static Lines Installation	95.60
95-65	Compass Installation	95.64

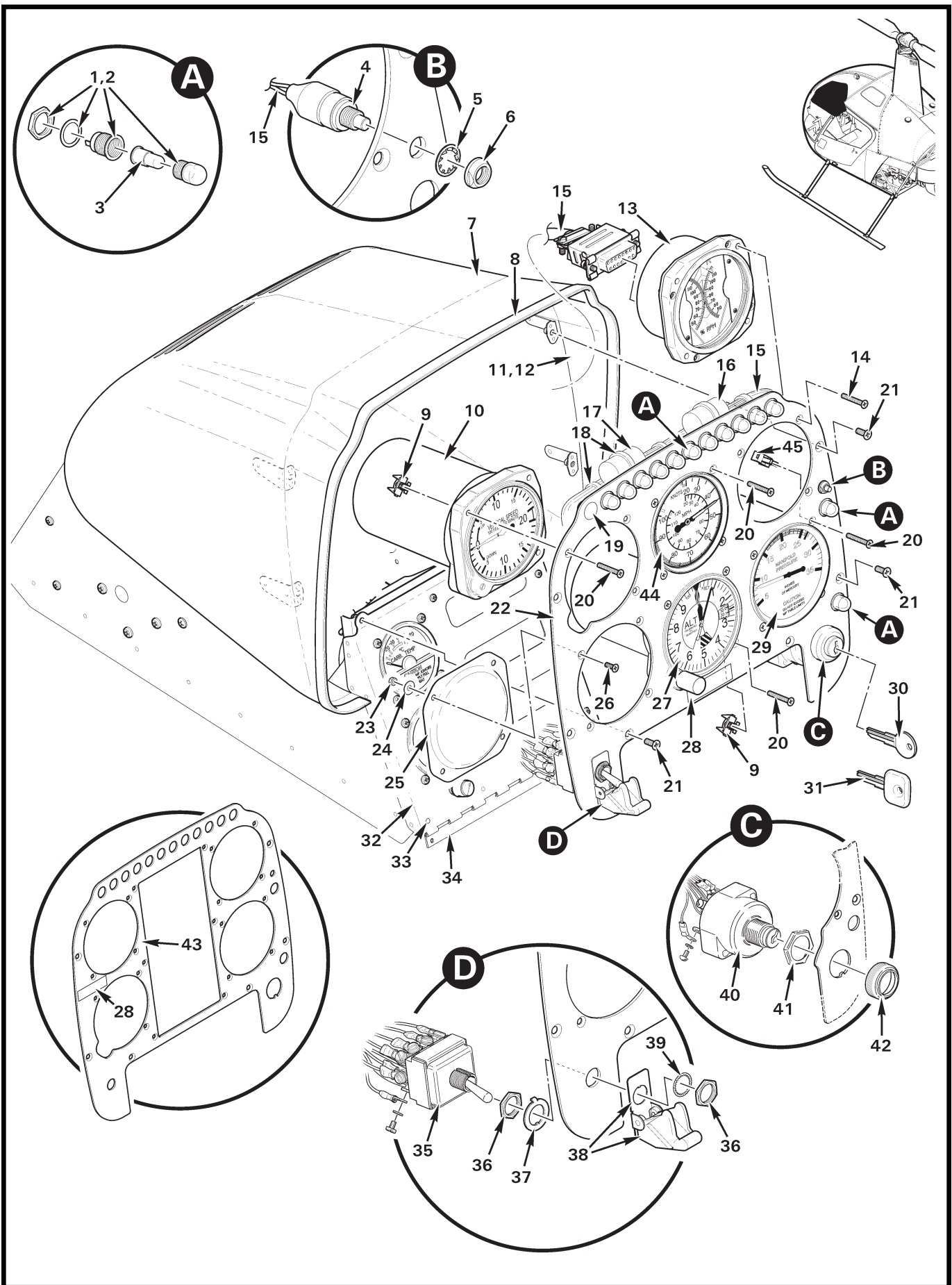


FIGURE AND INDEX NUMBER	PART NUMBER	DESCRIPTION	PARTS AVAIL	QTY PER ASSY
SIX-INSTRUMENT CONSOLE ASSEMBLY				
95-1-1	B198-1 *	Light (amber; includes washer, nut, and amber lens as shown)	X	12
2	B198-2 *	Light (red; includes washer, nut, and red lens as shown)	X	1
3	B196-1	Lamp	X	13
4	B227-6	Switch Assembly (test; includes items 6 and 7)	X	1
5	B227-3	Lockwasher	X	1
6	B227-4	Dress Nut	X	1
7	G051-19	Shell Assembly (Incl items 8, 11, 12, and 32)	X	1
8	A226-11	Trim	X	A/R
9	MS33737-13C	Nut – Instrument	X	6
10	A602-1	Rate-of-Climb Indicator	X	1
11	G051-13	Visor Liner (install using item 12)	X	A/R
12	B270-8qt	Adhesive	X	A/R
13	A792-5	Engine/Rotor Tachometer	X	1
14	MS24693-S29	Screw	X	4
15	B716-03	Harness Assembly – Console (Ref, includes items 16 thru 18, 35, and 40)	X	1
16	B280-4	Relay Assembly (governor off lamp)	X	1
17	A655-1	Time Delay – Low Fuel Warning	X	1
18	MS3367-5-9	Ty-Rap	X	A/R
19	2633	Hole Plug (additional plug installed in “Carbon Monoxide” hole if no CO detector is installed)	X	1
20	MS24693-S32	Screw	X	18
21	MS24694-S4	Screw	X	6
22	G055-15	Face (standard)	X	1
23	MS21042L06	Nut	X	4
24	NAS1149FN616P	Washer	X	4
25	B190-6	Cover	X	1
26	MS24693-S27	Screw	X	4
27	A613-1	Altimeter	X	1
28	A743-1	Call Letters Plate (please specify call letters)	X	1
	A701-7	Tape (double-sided)	X	A/R
29	A600-5	Manifold Pressure Gage	X	1

NOTES * Order item 3 when replacing.

Continues

FIGURE AND INDEX NUMBER	PART NUMBER	DESCRIPTION	PARTS AVAIL	QTY PER ASSY
SIX-INSTRUMENT CONSOLE ASSEMBLY (Cont'd)				
95-1-30	R8096	Key – Duplicate (small brass key; specify ship S/N and “PK” number when ordering)	X	1
	R8426	Key – Duplicate (black plastic and brass; specify ship S/N and “PK” number when ordering)	X	1
31	D768-6	Key (blank; black plastic-coated “R22” logo)	X	1
32	G054-1	Face Assembly (Incl items 33 and 34)	X	1
33	MS20426AD3	Rivet	X	4
34	A356-2	Hinge (install using item 33)	X	1
35	MS25068-23	Switch – Clutch (Incl items 36, 37, and 39)	X	1
36	–	Nut	O	2
37	–	Keywasher	O	1
38	MS25224-1	Guard	X	1
39	–	Lockwasher	O	1
40	A661-1	Switch – Ignition (includes items 41, 42, and [2] keys)	X	1
41	–	Nut	O	1
42	–	Nut	O	1
43	G055-11	Face (optional)	X	1
44	A599-1	Airspeed Indicator (Knots, MPH)	X	1
	A599-2	Airspeed Indicator (KM/H, Knots)	X	1
45	MS33737-15C	Nut – Instrument	X	8

NOTES

Intentionally Blank

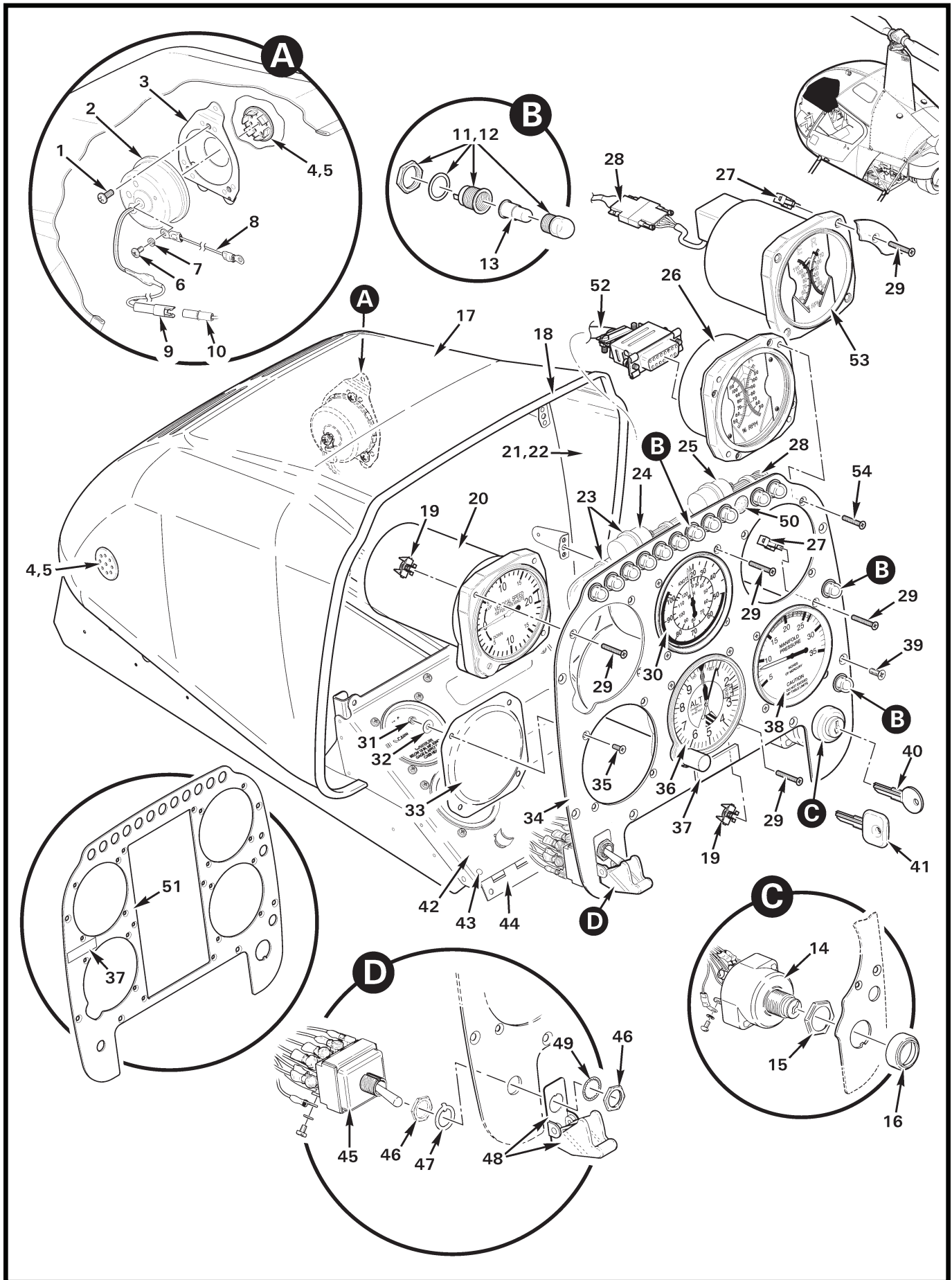


FIGURE AND INDEX NUMBER	PART NUMBER	DESCRIPTION	PARTS AVAIL	QTY PER ASSY
SIX-INSTRUMENT CONSOLE ASSEMBLY				
95-5-1	MS27039C0806	Screw	X	3
2	B320-1	Horn Assembly – Low RPM (RH; includes items 6 thru 9)	X	1
3	C479-1	Mount Assembly (Ref)	O	1
4	9688K643	Hole Plug (install using item 5)	X	2
5	B270-18	Adhesive	X	A/R
6	MS35206-241	Screw	X	1
7	B332-42	Lockwasher	X	1
8	B320-79	Wire (to ground)	X	1
9	B263-10	Housing	X	1
	B263-1	Pin	X	1
10	B263-11	Housing (Ref)		
	B263-2	Socket (Ref)		
11	B198-1*	Light (amber; includes washer, nut, and amber lens as shown)	X	12
12	B198-2*	Light (red; includes washer, nut, and red lens as shown)	X	1
13	B196-1	Lamp	X	13
14	A661-1	Switch – Ignition (includes items 15, 16, and [2] keys)	X	1
15	—	Nut	O	1
16	—	Nut	O	1
17	G051-11	Shell Assembly (Incl items 18, 21, 22, and 42)	X	1
18	A226-11	Trim	X	A/R
19	MS33737-13C	Nut – Instrument	X	6
20	A602-1	Rate-of-Climb Indicator	X	1
21	G051-13	Visor Liner (install using item 22)	X	A/R
22	B270-8qt	Adhesive	X	A/R
23	MS3367-5-9	Ty-Rap	X	A/R
24	A655-1	Time Delay – Low Fuel Warning	X	1
25	B280-4	Relay Assembly (governor off lamp)	X	1
26	A792-5	Engine/Rotor Tachometer	X	1
27	MS33737-15C	Nut – Instrument	X	12
28	B716-02	Harness Assembly – Console (Ref, includes items 14, 23 thru 25, and 45)	X	1
29	MS24693-S32	Screw	X	18
30	A599-1	Airspeed Indicator (Knots, MPH)	X	1
	A599-2	Airspeed Indicator (KM/H, Knots)	X	1

NOTES * Order item 13 when replacing.

Continues

FIGURE AND INDEX NUMBER	PART NUMBER	DESCRIPTION	PARTS AVAIL	QTY PER ASSY
SIX-INSTRUMENT CONSOLE ASSEMBLY (Cont'd)				
95-5-31	MS21042L06	Nut	X	4
32	NAS1149FN616P	Washer	X	4
33	B190-6	Cover	X	1
34	G055-10	Face (standard)	X	1
35	MS24693-S27	Screw	X	4
36	A613-1	Altimeter	X	1
37	A743-1	Call Letters Plate (please specify call letters)	X	1
	A701-7	Tape (double-sided)	X	A/R
38	A600-5	Manifold Pressure Gage	X	1
39	MS24694-S4	Screw	X	6
40	R8096	Key – Duplicate (small brass key; specify ship S/N and “PK” number when ordering)	X	1
	R8426	Key – Duplicate (black plastic and brass; specify ship S/N and “PK” number when ordering)	X	1
41	D768-6	Key (blank; black plastic-coated “R22” logo)	X	1
42	G054-5	Face Assembly (Incl items 43 and 44)	X	1
43	MS20426AD3	Rivet	X	4
44	A356-2	Hinge (install using item 43)	X	1
45	MS25068-23	Switch – Clutch (Incl items 46, 47, and 49)	X	1
46	—	Nut	O	2
47	—	Keywasher	O	1
48	MS25224-1	Guard	X	1
49	—	Lockwasher	O	1
50	2633	Hole Plug (additional plug installed in “Carbon Monoxide” hole if no CO detector is installed)	X	1
51	G055-11	Face (optional)	X	1
52	B792-1	Harness Assembly (required when replacing A729-4 with A729-5)	X	1
53	A792-4	Engine/Rotor Tachometer (Earlier aircraft, no longer available. Order items 26 and 52.)	O	1
54	MS24693-S29	Screw	X	4

NOTES

Intentionally Blank

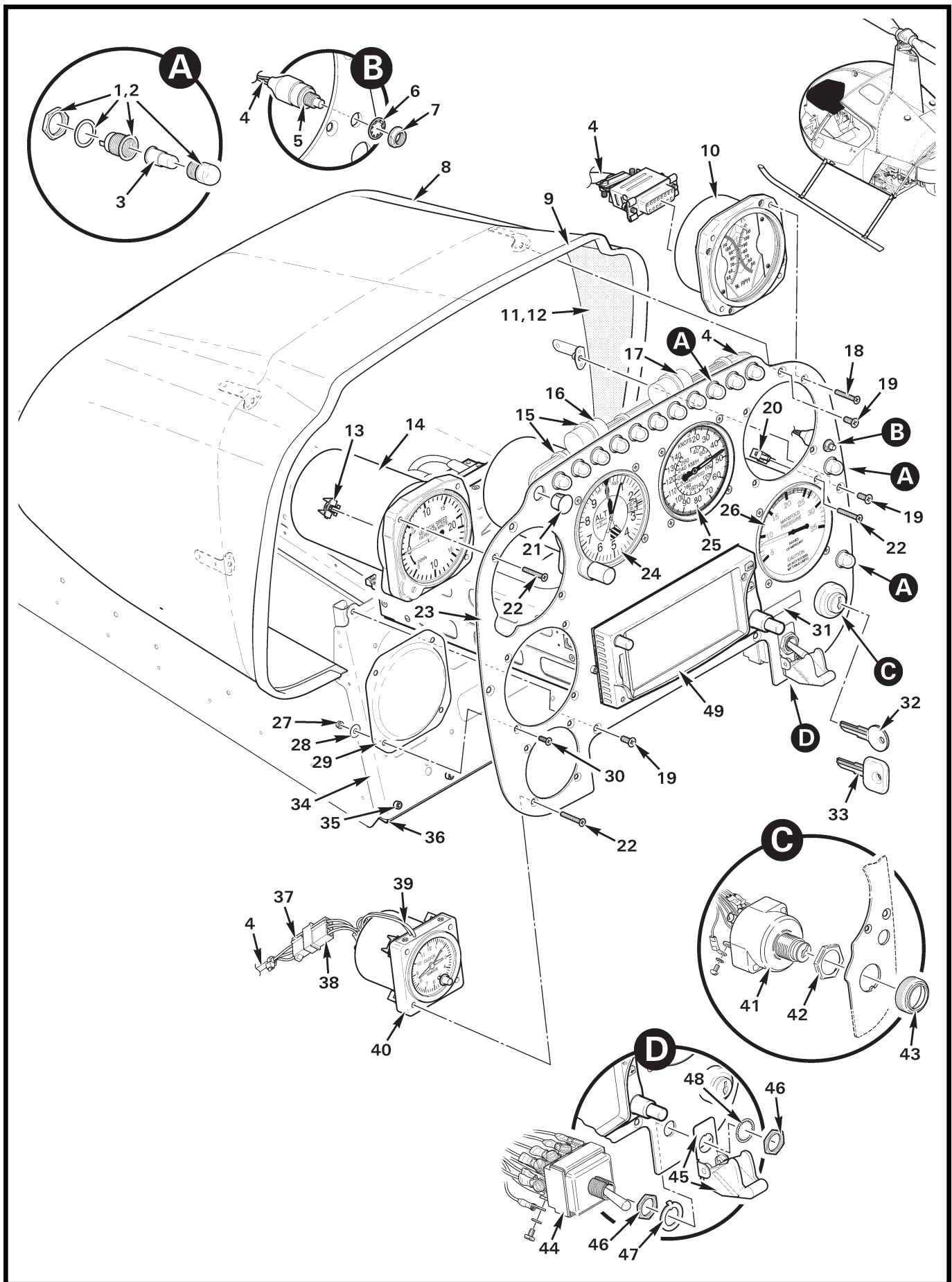


FIGURE AND INDEX NUMBER	PART NUMBER	DESCRIPTION	PARTS AVAIL	QTY PER ASSY
EIGHT-INSTRUMENT CONSOLE ASSEMBLY				
95-9-1	B198-1 *	Light (amber; includes washer, nut, and amber lens as shown)	X	12
2	B198-2*	Light (red; includes washer, nut, and red lens as shown)	X	1
3	B196-1	Lamp	X	13
4	B716-02	Harness Assembly – Console (Ref, includes items 15 thru 17, 37, 41, and 44)	X	1
5	B227-6	Switch Assembly (test; includes items 6 and 7)	X	1
6	B227-3	Lockwasher	X	1
7	B227-4	Dress Nut	X	1
8	G071-5	Shell Assembly (Incl items 9, 11, 12, and 34)	X	1
9	A226-11	Trim	X	A/R
10	A792-5	Engine/Rotor Tachometer	X	1
11	G051-10	Visor Liner (install using item 12)	X	1
12	B270-8qt	Adhesive	X	A/R
13	MS33737-13C	Nut – Instrument	X	6
14	A602-1	Rate-of-Climb Indicator	X	1
15	MS3367-5-9	Ty-Rap	X	A/R
16	B280-4	Relay Assembly (governor off lamp)	X	1
17	A655-1	Time Delay – Low Fuel Warning	X	1
18	MS24693-S29	Screw	X	4
19	MS24694-S4	Screw	X	6
20	MS33737-15C	Nut – Instrument	X	12
21	2633	Hole Plug (additional plug installed in “Carbon Monoxide” hole if no CO detector is installed)	X	1
22	MS24693-S32	Screw	X	18
23	G075-17	Face	X	1
24	A613-1	Altimeter	X	1
25	A599-1	Airspeed Indicator (Knots, MPH)	X	1
	A599-2	Airspeed Indicator (KM/H, Knots)	X	1
26	A600-5	Manifold Pressure Gage	X	1
27	MS21042L06	Nut	X	4
28	NAS1149FN616P	Washer	X	4
29	B190-6	Cover	X	1
30	MS24693-S27	Screw	X	4
31	A743-1	Call Letters Plate (please specify call letters)	X	1
	A701-7	Tape (double-sided)	X	A/R

NOTES * Order item 3 when replacing.

Continues

FIGURE AND INDEX NUMBER	PART NUMBER	DESCRIPTION	PARTS AVAIL	QTY PER ASSY
EIGHT-INSTRUMENT CONSOLE ASSEMBLY (Cont'd)				
95-9-32	R8096	Key – Duplicate (small brass key; specify ship S/N and “PK” number when ordering)	X	1
	R8426	Key – Duplicate (black plastic and brass; specify ship S/N and “PK” number when ordering)	X	1
33	D768-6	Key (blank; black plastic-coated “R22” logo)	X	1
34	G074-1	Face	X	1
35	NAS1352-06-06	Screw	X	4
36	A356-8	Angle	X	1
37	B263-15	Housing	X	1
	B263-2	Socket	X	3
38	B263-14	Housing	X	1
	B263-1	Pin	X	3
39	A072-9	Light Tray Assembly (14-volt)	X	1
40	A072-12	Clock Assembly (includes items 38, 39, instrument nuts and wires)	X	1
41	A661-1	Switch – Ignition (includes items 42, 43, and [2] keys)	X	1
42	—	Nut	O	1
43	—	Nut	O	1
44	MS25068-23	Switch – Clutch (Incl items 46, 47, and 48)	X	1
45	MS25224-1	Guard	X	1
46	—	Nut	O	2
47	—	Keywasher	O	1
48	—	Lockwasher	O	1
49	GTN 625Xi*	GPS (Ref)		
	GTN 635Xi*	GPS/COM (Ref)		
	GTN 650Xi*	GPS/NAV/COM (Ref)		

NOTES * Garmin part no.

Intentionally Blank

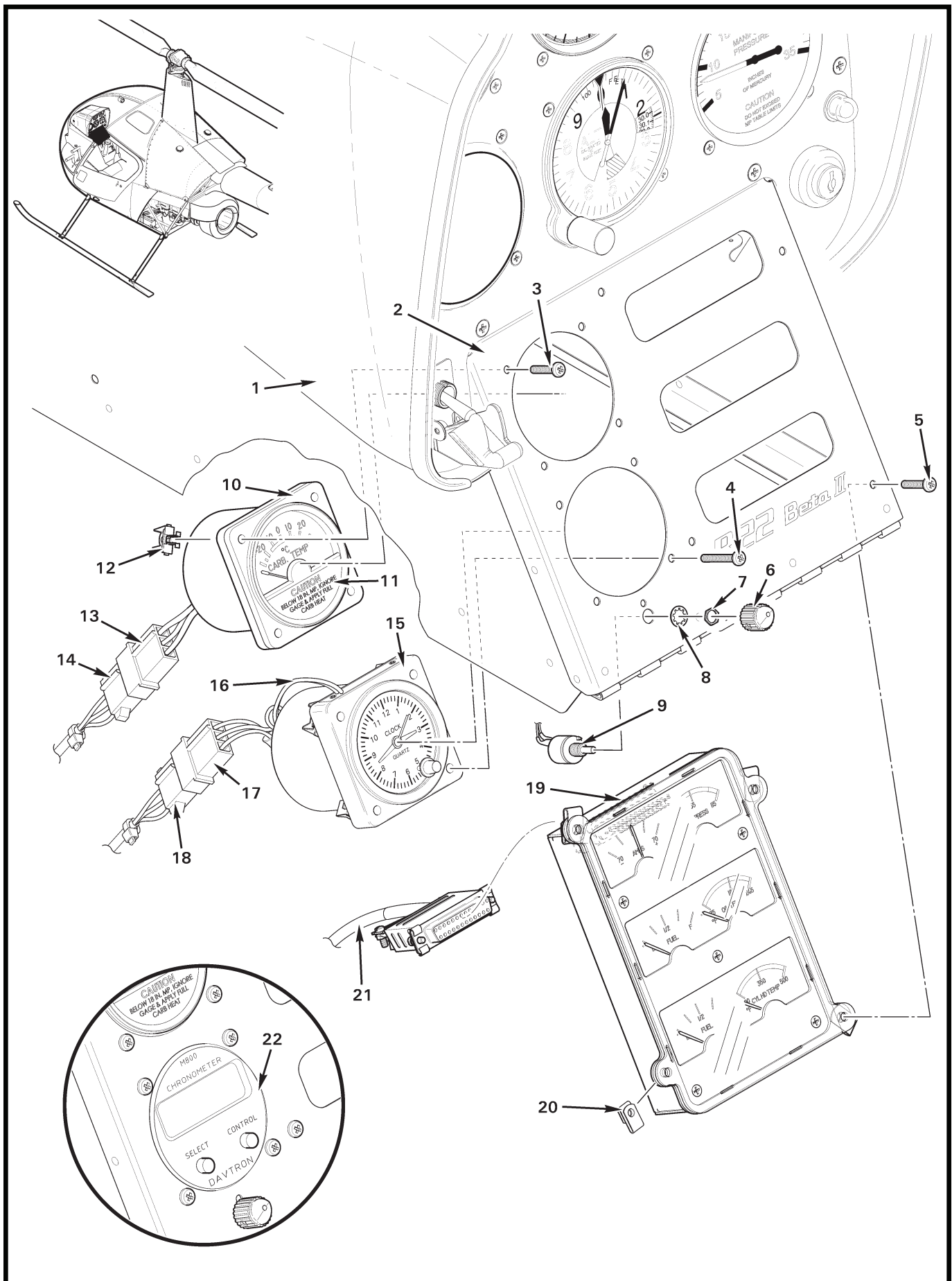


FIGURE AND INDEX NUMBER	PART NUMBER	DESCRIPTION	PARTS AVAIL	QTY PER ASSY
		SIX-INSTRUMENT CONSOLE ASSEMBLY – LOWER PANEL, HIGH CONSOLE		
95-13-1	G051-19	Shell Assembly – Upper Console (High)	X	1
2	G054-1	Face Assembly – Cluster Panel (High)	X	1
3	MS35206-232	Screw	X	4
4	MS35206-234	Screw	X	4
5	MS35206-230	Screw	X	4
6	MS91528-0C1B	Knob	X	1
7	—	Nut	O	1
8	—	Lockwasher	O	1
9	B398-1	Potentiometer (Incl items 7 and 8)	X	1
10	A604-2	Carb Air Temp Gage (Incl items 11 and 13)	X	1
11	A654-66	Decal (carb heat instructions)	X	1
12	MS33737-12C	Nut – Instrument	X	4
13	B263-14	Housing	X	1
	B263-1	Pin	X	3
14	B263-15	Housing (Ref)		
	B263-2	Socket (Ref)		
15	A072-12	Clock Assembly (includes items 16, 17, instrument nuts, and wires)	X	1
16	A072-9	Light Tray Assembly (14-volt)	X	1
17	B263-14	Housing	X	1
	B263-1	Pin	X	3
18	B263-15	Housing (Ref)		
	B263-2	Socket (Ref)		
19	B144-5	Instrument Cluster (Incl item 20)	X	1
20	B162-1	Clipnut	X	4
21	B716	Wire Harness (Ref)		
22	A064-3	Digital Clock Assembly (Ref; see Figure 95-55)		
NOTES				

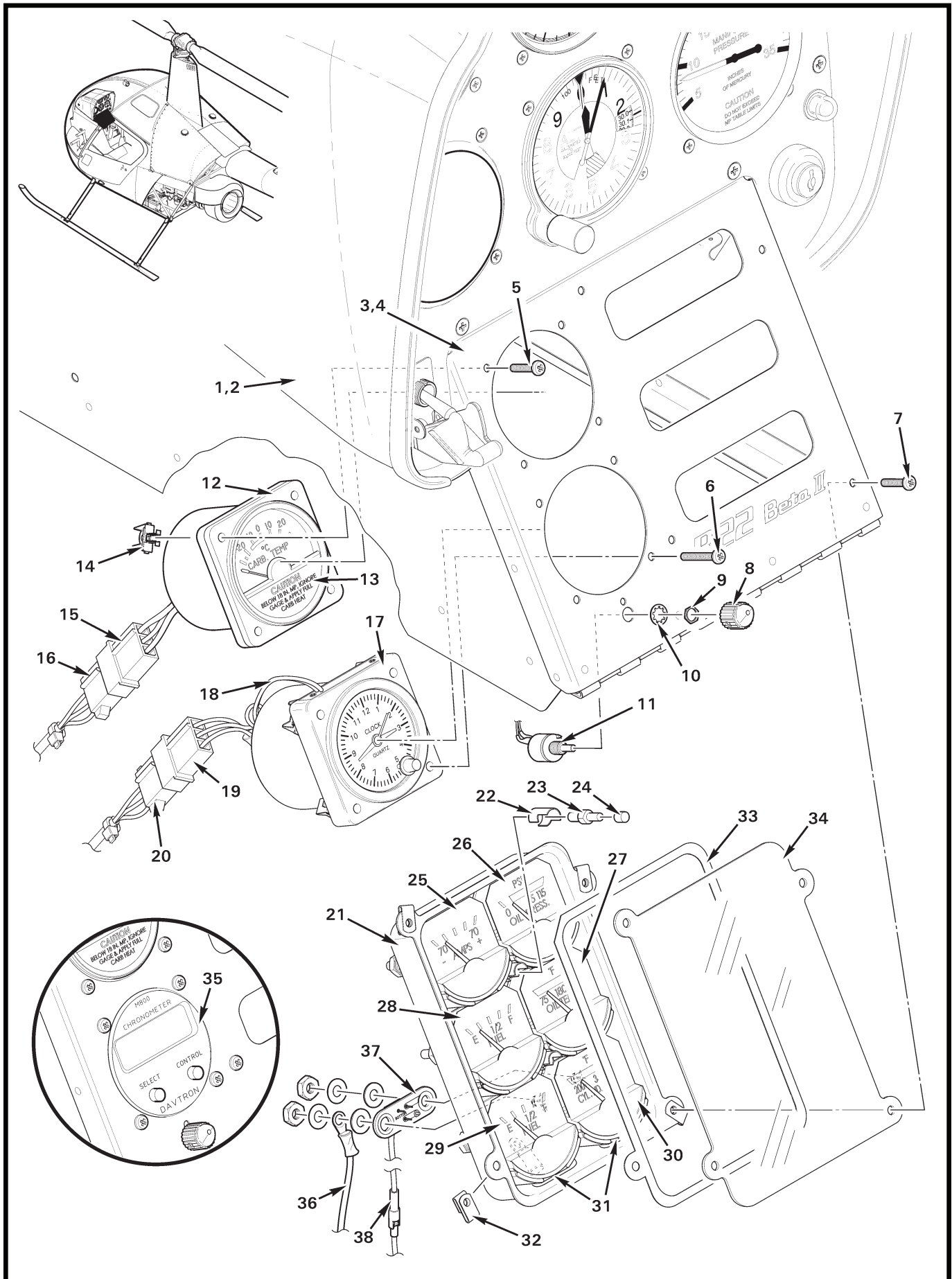


FIGURE AND INDEX NUMBER	PART NUMBER	DESCRIPTION	PARTS AVAIL	QTY PER ASSY
		SIX-INSTRUMENT CONSOLE ASSEMBLY – LOWER PANEL, HIGH & LOW CONSOLE		
95-15-1	G051-14	Shell Assembly – Upper Console (High)	X	1
2	G051-11	Shell Assembly – Upper Console (Low)	X	1
3	G054-1	Face Assembly – Cluster Panel (High)	X	1
4	G054-5	Face Assembly – Cluster Panel (Low)	X	1
5	MS35206-232	Screw	X	4
6	MS35206-234	Screw	X	4
7	MS35206-230	Screw	X	4
8	MS91528-0C1B	Knob	X	1
9	—	Nut	O	1
10	—	Lockwasher	O	1
11	B398-1	Potentiometer (Incl items 9 and 10)	X	1
12	A604-2	Carb Air Temp Gage (Incl item 13)	X	1
13	A654-66	Decal (carb heat instructions)	X	1
14	MS33737-12C	Nut – Instrument	X	4
15	B263-14	Housing	X	1
	B263-1	Pin	X	3
16	B263-15	Housing (Ref)		
	B263-2	Socket (Ref)		
17	A072-12	Clock Assembly (includes items 18, 19, instrument nuts, and wires)	X	1
18	A072-9	Light Tray Assembly (14-volt)	X	1
19	B263-14	Housing	X	1
	B263-1	Pin	X	3
20	B263-15	Housing (Ref)		
	B263-2	Socket (Ref)		
21	B144-3	Instrument Cluster (Incl items 22 thru 34)	X	1
22	A700-1	Barrier	X	2
23	100057017	Lamp (gray base)	X	2
24	6P47	Cap (for red lighting requirement)	X	2
	17P47	Cap (for white lighting requirement)	X	2
25	6246-00468	Ammeter	X	1
26	6246-00647	Oil Pressure Meter	X	1
27	6246-00090	Oil Temperature Meter	X	1
28	6246-00473	Fuel Quantity Meter (main tank)	X	1
29	6246-00473	Fuel Quantity Meter (aux tank)	X	1

NOTES

Continues

FIGURE AND INDEX NUMBER	PART NUMBER	DESCRIPTION	PARTS AVAIL	QTY PER ASSY
SIX-INSTRUMENT CONSOLE ASSEMBLY – LOWER PANEL, HIGH & LOW CONSOLE (Cont'd)				
95-15-30	6246-00088	Cylinder Head Temp Meter	X	1
31	—	Desiccant Bag (1-gram bag, Ref)	O	2
32	B162-1	Clipnut	X	3
33	0015-00723	Gasket	X	1
34	0003-00434	Window Crystal (clear plastic)	X	1
35	A064-3	Digital Clock Assembly (Ref; see Figure 95-55)		
36	C691-34	Wire	X	1
37	C691-1*	Circuit Board Assembly (includes items 36 and 38; installed on instrument cluster used in item 1 only)	X	1
38	B263-10	Housing	X	1
	B263-1	Pin	X	1

NOTES * For earlier helicopters, order and install KI-249 CHT Gage Calibration Kit, as required (ref. R22 SL-73).

Intentionally Blank

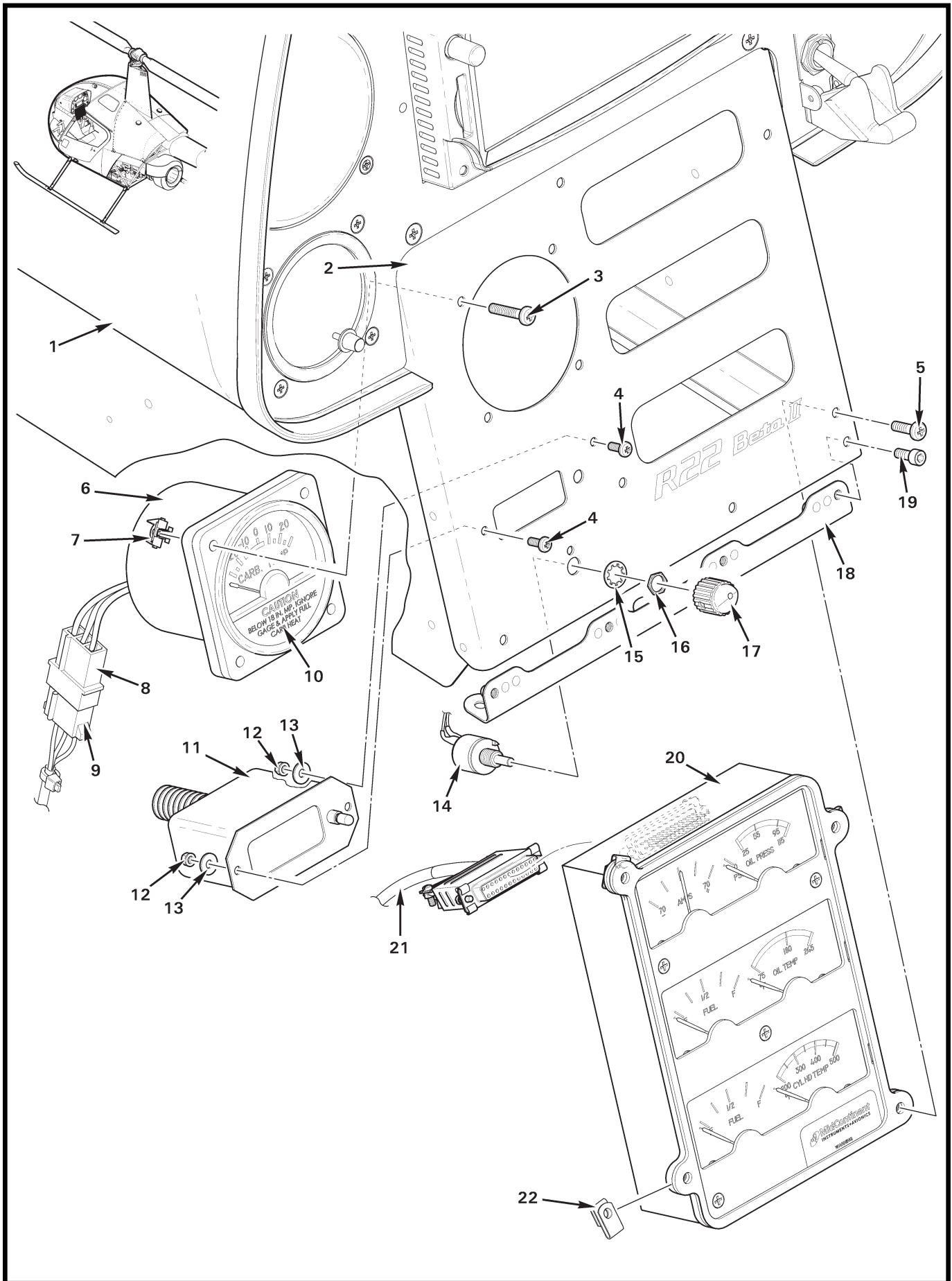


FIGURE AND INDEX NUMBER	PART NUMBER	DESCRIPTION	PARTS AVAIL	QTY PER ASSY
EIGHT-INSTRUMENT CONSOLE ASSEMBLY – LOWER PANEL				
95-18A-1	G071-5	Shell Assembly – Upper Console	X	1
2	G074-1	Face Assembly – Cluster Panel	X	1
3	MS35206-232	Screw	X	4
4	MS35206-214	Screw	X	2
5	MS35206-230	Screw	X	4
6	A604-2	Carb Air Temp Gage (Incl items 8 and 10)	X	1
7	MS33737-12C	Nut – Instrument	X	4
8	B263-14	Housing	X	1
	B263-1	Pin	X	3
9	B263-15	Housing (Ref)		
	B263-2	Socket (Ref)		
10	A654-66	Decal (carb heat instructions)	X	1
11	B341-1	Outside Air Temperature Gage	X	1
12	MS21042L04	Nut	X	2
13	NAS1149FN432P	Washer	X	2
14	B398-1	Potentiometer (Incl items 15 and 16)	X	1
15	—	Lockwasher	O	1
16	—	Nut	O	1
17	MS91528-0C1B	Knob	X	1
18	A356-8	Angle	X	1
19	NAS1352-06-6	Screw	X	1
20	B144-5	Instrument Cluster (Incl item 22).	X	1
21	B715-01	Harness Assembly (Ref)		
22	B162-1	Clipnut	X	4

NOTES

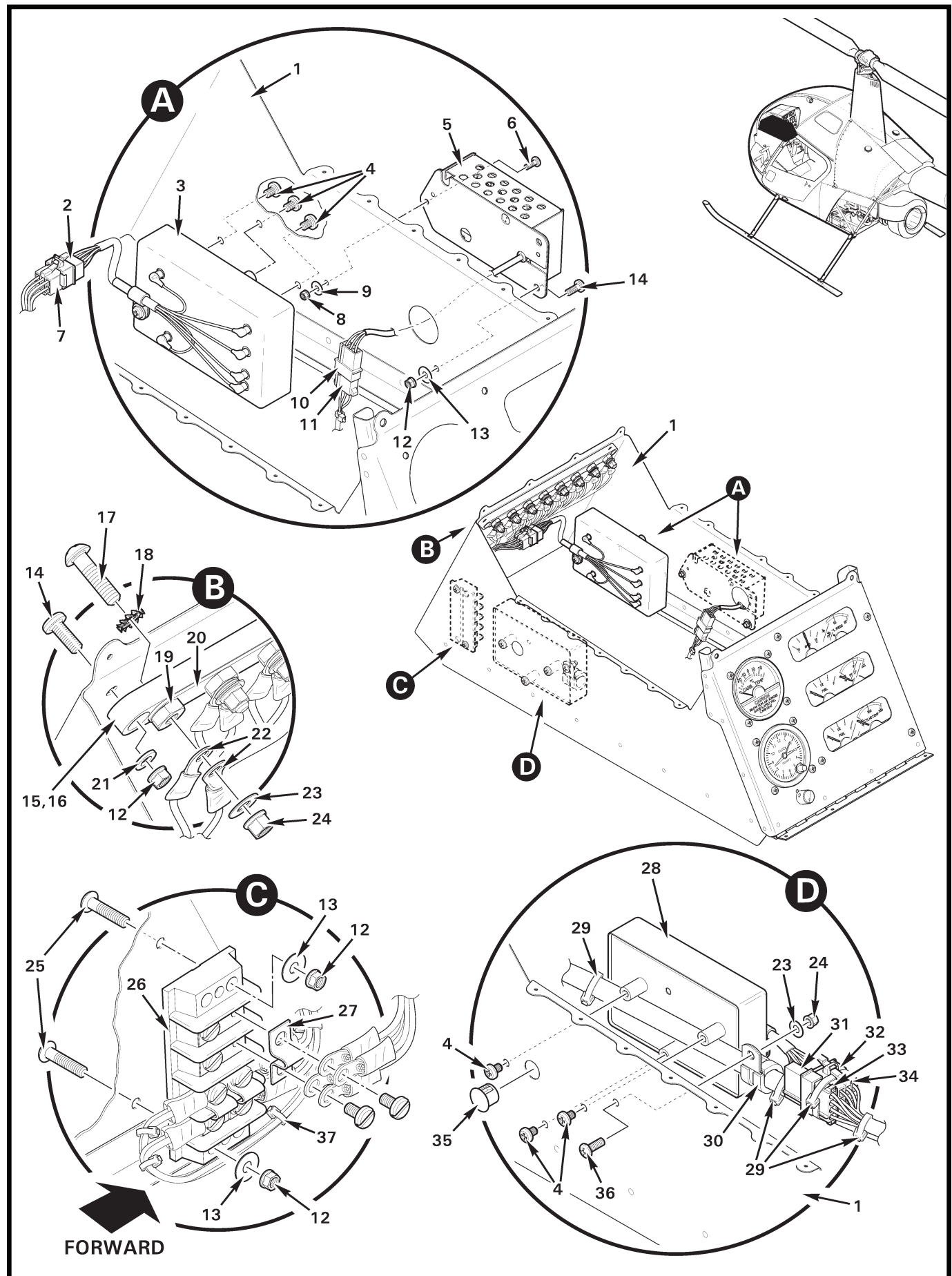


FIGURE AND INDEX NUMBER	PART NUMBER	DESCRIPTION	PARTS AVAIL	QTY PER ASSY
		SIX-INSTRUMENT CONSOLE ASSEMBLY – COMPONENTS, HIGH CONSOLE		
95-18C-1	G053-9	Upper Console Support (Ref)		
2	B263-18	Housing	X	1
	B263-1	Pin	X	6
3	B395-1	Dimmer Assembly (Incl item 2)	X	1
4	MS35206-241	Screw	X	6
5	C696-7	CO Detector Assembly (Incl item 10)	X	1
	C696-1	CO Detector Assembly (Incl item 10)	O	1
6	MS35206-214	Screw	X	1
7	B263-19	Housing	X	1
	B263-2	Socket	X	6
8	MS21042L04	Nut	X	1
9	NAS1149FN416P	Washer	X	1
10	B263-14	Housing	X	1
	B263-1	Pin	X	3
11	B263-15	Housing	X	1
	B263-2	Socket	X	3
12	MS21042L06	Nut	X	3
13	NAS1149FN616P	Washer	X	3
14	MS35206-228	Screw	X	3
15	C448-3	Block Assembly (Incl items 16 thru 20)	X	1
16	C448-6	Block	X	1
17	B567-43	Screw	X	8
18	91120A130	Washer	X	8
19	B301-8	Nut	X	8
20	A448-14	Bus Bar	X	1
21	NAS620-6	Washer	X	2
22	B260-2	Terminal	X	A/R
23	NAS1149FN816P	Washer	X	9
24	MS21042L08	Nut	X	9
25	MS35206-231	Screw	X	2
26	38TB04F	Terminal Block	X	1
27	J601	Jumper Tab	X	3
28	A569-5	Low RPM Warning Unit (Incl items 26 and 27)	X	1
29	MS3367-5-9	Ty-Rap	X	A/R
30	MS21919WDG*	Clamp	X	1

NOTES * Select and install appropriate-size clamp (MS21919WDG4 thru MS21919WDG10) to eliminate play in harness.

Continues

FIGURE AND INDEX NUMBER	PART NUMBER	DESCRIPTION	PARTS AVAIL	QTY PER ASSY
SIX-INSTRUMENT CONSOLE ASSEMBLY – COMPONENTS, HIGH CONSOLE (Cont'd)				
95-18C-31	B263-16	Housing	X	1
	B263-1	Pin	X	4
32	B263-20	Housing	X	1
	B263-1	Pin	X	8
33	B263-17	Housing	X	1
	B263-2	Socket	X	4
34	B263-21	Housing	X	1
	B263-2	Socket	X	8
	B263-3	Terminator	X	1
35	2633	Hole Plug	X	1
36	MS27039C0806	Screw	X	1
37	MS3357-4-9	Ty-Rap	X	A/R
NOTES				

Intentionally Blank

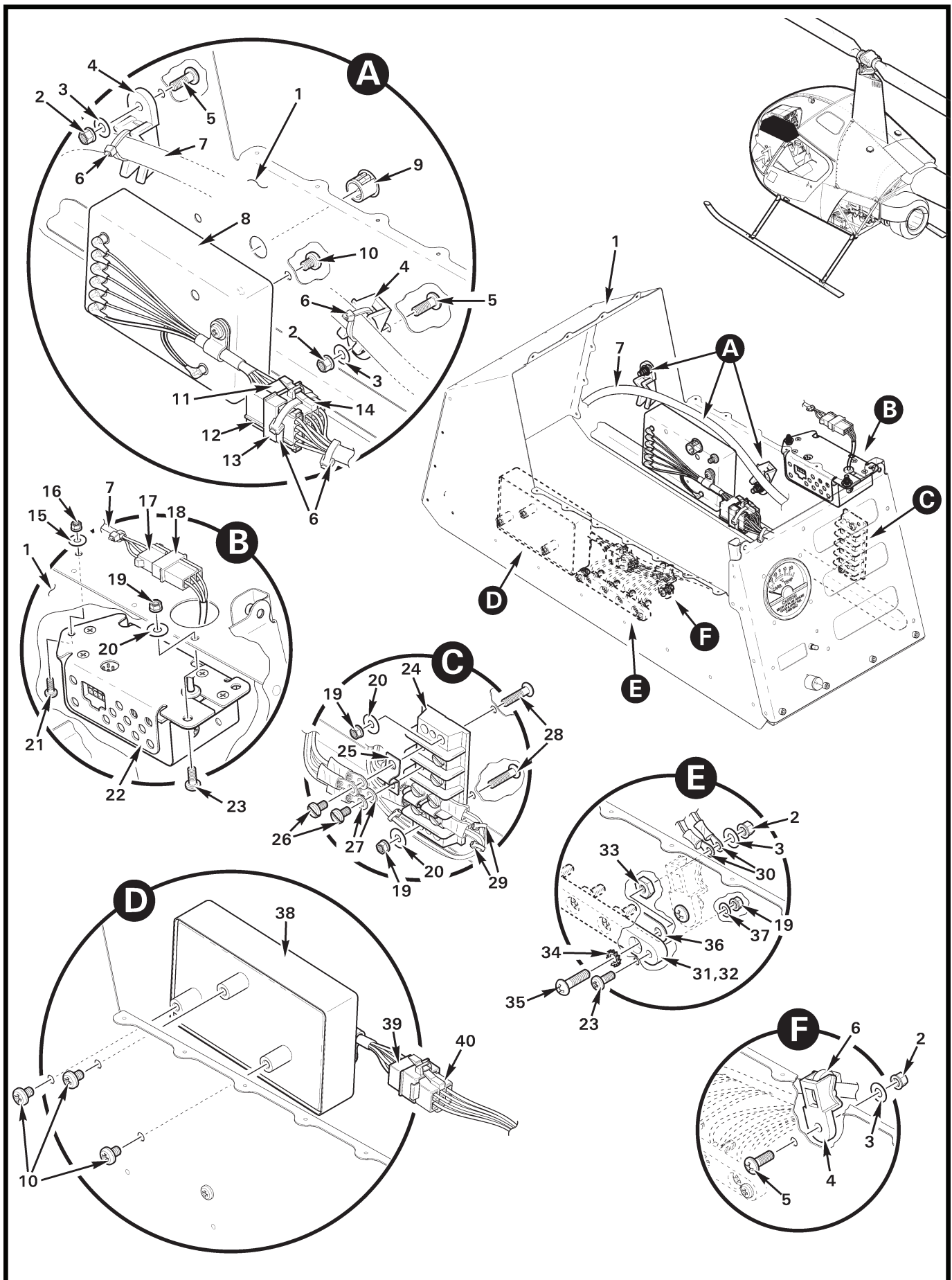


FIGURE AND INDEX NUMBER	PART NUMBER	DESCRIPTION	PARTS AVAIL	QTY PER ASSY
		EIGHT-INSTRUMENT CONSOLE ASSEMBLY – COMPONENTS		
95-18G-1	G073-4	Upper Console Support (Ref)		
2	MS21042L08	Nut	X	9
3	NAS1149FN816P	Washer	X	9
4	D268-1	Support	X	3
5	MS27039C0807	Screw	X	3
6	MS3367-7-9	Ty-Rap	X	A/R
7	B715-01	Harness Assembly – Console (Ref)		
8	A569-5	Low RPM Warning Unit (Incl items 11 and 12)	X	1
9	2633	Hole Plug	X	1
10	MS35206-241	Screw	X	6
11	B263-20	Housing	X	1
	B263-1	Pin	X	8
12	B263-16	Housing	X	1
	B263-1	Pin	X	4
13	B263-17	Housing	X	1
	B263-2	Socket	X	4
14	B263-21	Housing	X	1
	B263-2	Socket	X	8
	B263-3	Terminator	X	1
15	NAS1149FN416P	Washer	X	1
16	MS21042L04	Nut	X	1
17	B263-15	Housing	X	1
	B263-2	Socket	X	3
18	B263-14	Housing	X	1
	B263-1	Pin	X	3
19	MS21042L06	Nut	X	3
20	NAS1149FN616P	Washer	X	3
21	MS35206-214	Screw	X	1
22	C696-1	CO Detector Assembly (Incl item 18)	X	1
23	MS35206-228	Screw	X	3
24	38TB04F	Terminal Block (Incl item 27)	X	1
25	J601	Jumper Tab	X	3
26	—	Nut (supplied with item 24)	O	8
27	B260-2	Terminal	X	11
28	MS35206-231	Screw	X	2

NOTES

Continues

FIGURE AND INDEX NUMBER	PART NUMBER	DESCRIPTION	PARTS AVAIL	QTY PER ASSY
EIGHT-INSTRUMENT CONSOLE ASSEMBLY – COMPONENTS (Cont'd)				
95-18G-29	MS3367-4-9	Ty-Rap	X	A/R
30	B260-3	Terminal	X	10
31	C448-2	Block Assembly (Incl items 32 thru 36)	X	1
32	C448-5	Block	X	1
33	B301-8	Nut	X	4
34	91120A130	Washer	X	4
35	B567-43	Screw	X	4
36	A448-10	Bus Bar	X	1
37	NAS620-6	Washer	X	2
38	B395-1	Dimmer Assembly (Incl item 39)	X	1
39	B263-18	Housing	X	1
	B263-1	Pin	X	6
40	B263-19	Housing	X	1
	B263-2	Socket	X	6
NOTES				

Intentionally Blank

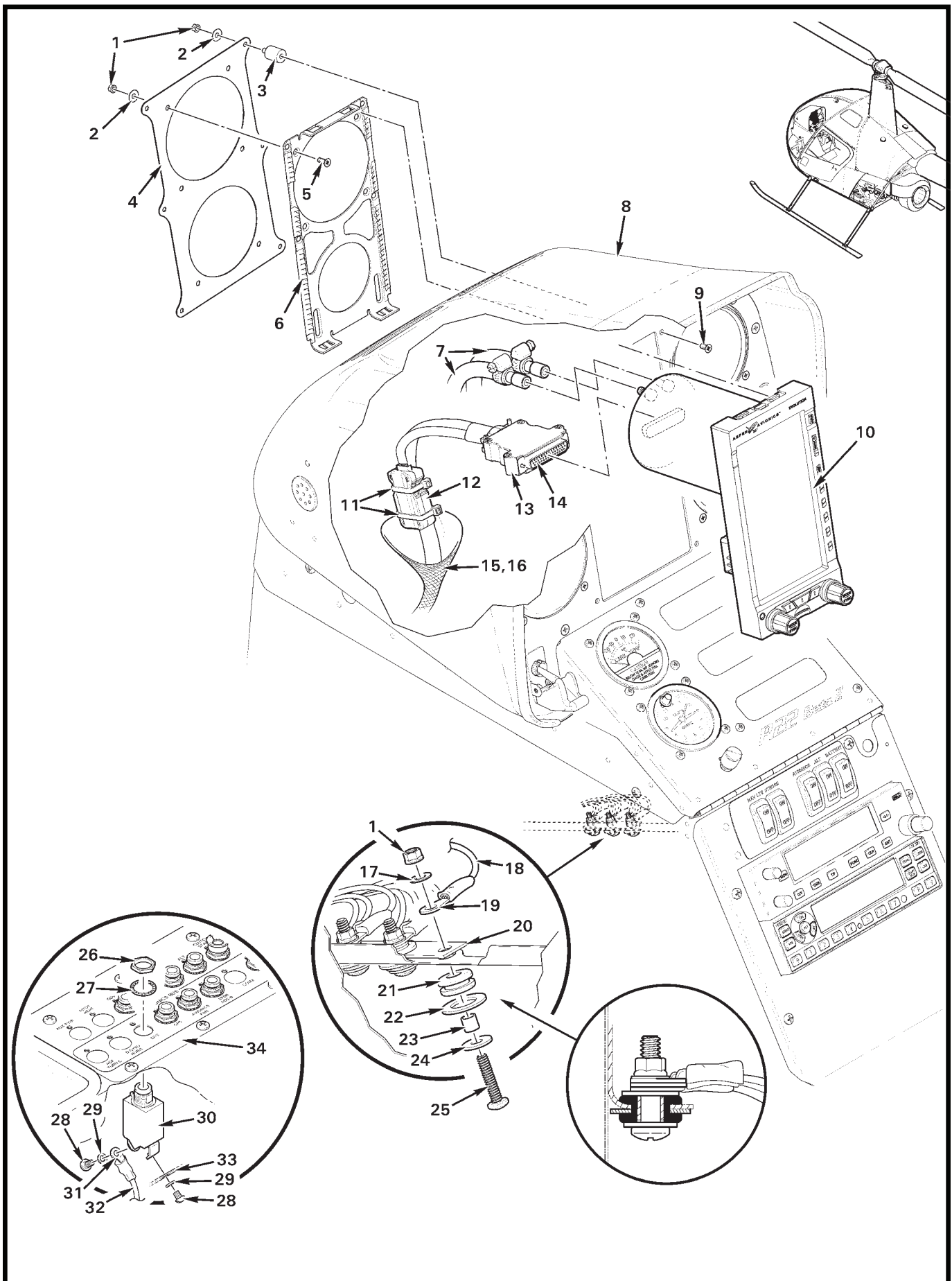


FIGURE AND INDEX NUMBER	PART NUMBER	DESCRIPTION	PARTS AVAIL	QTY PER ASSY
ASPEN PFD INSTALLATION				
95-21-1	MS21042L06	Nut	X	13
2	NAS1149FN616P	Washer	X	12
3	248-00002-001	Isolator	O	6
4	C801-1	Panel	X	1
5	MS24693-S26	Screw	X	6
6	403-0003-001	Bracket	O	1
7	A729-48	Tube (Ref, see Figure 95-23)		
8	G050-9	Console (Ref)		
9	MS24693-S24	Screw	X	6
10	EFD1000H*	PFD Display	O	1
11	MS3367-4-9	Ty-Rap	X	2
12	920-00004-117*	Module	O	1
13	116-00026-006*	Backshell	O	1
14	116-00022-002*	Connector	O	1
15	B274-607	Braid	X	A/R
16	7861K46	Heat Shrink	X	A/R
17	NAS620-6L	Washer	X	1
18	-2557	Wire (Ref)		
19	B260-3	Terminal	X	2
20	A448-15	Bus Bar (Ref)		
21	MS35489-4	Grommet	X	1
22	NAS1149F0532P	Washer (install grommet in groove; see detail showing parts assembled)	X	1
23	C130-59	Spacer (install in grommet bore; see detail showing parts assembled)	X	1
24	NAS149FN632P	Washer	X	1
25	B567-28	Screw	X	1
26	—	Nut	O	1
27	—	Lockwasher	O	1
28	—	Screw	O	2
29	—	Washer	O	2
30	B297-7	Circuit Breaker (7.5 amp; includes items 26 thru 29)	X	1
31	B260-2	Terminal	X	1
32	-2555	Wire (Ref)		
33	A448-2	Bus Bar (Ref)		
34	B490-5	Panel – Circuit Breaker (Ref)		

NOTES * Aspen Avionics part no.

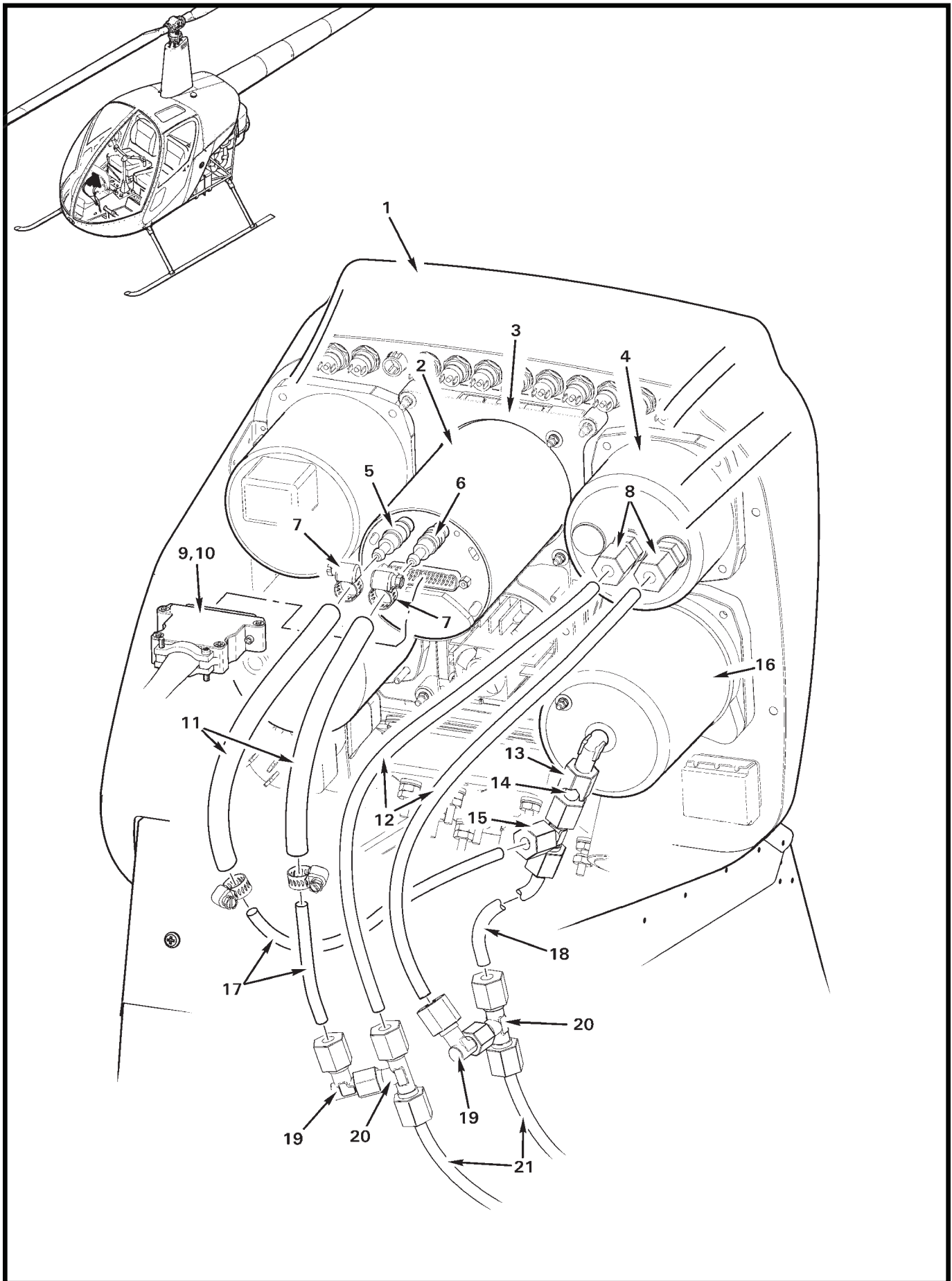


FIGURE AND INDEX NUMBER	PART NUMBER	DESCRIPTION	PARTS AVAIL	QTY PER ASSY
ASPEN PFD INSTALLATION – PITOT/STATIC LINES				
95-23-1	G050-11	Console Assembly (Ref)		
2	EFD1000H	PFD Display	O	1
3	C801-1	Plate (Ref)		
4	A599-1	Airpeed Indicator (Ref; Knots, MPH)		
	A599-2	Airpeed Indicator (Ref; KM/H, Knots)		
5	275-00001-001	Coupler (static)	O	1
6	275-00001-002	Coupler (pitot)	O	1
7	271-00001-001	Clamp	X	4
8	10-4-2-N-0	Fitting	X	2
9	116-00022-002	Connector (Ref, see Figure 95-21)		
10	116-00026-006	Backshell (Ref, see Figure 95-21)		
11	A729-48	Tube	X	2
12	A729-23	Tube	X	2
13	40-4-2-N-0	Elbow	X	1
14	A729-27	Tube	X	1
15	70-4-N-0	Tee	X	1
16	A613	Altimeter (Ref)		
17	A729-52	Tube	X	2
18	A729-25	Tube	X	1
19	45-4-2-N-0	Elbow	X	2
20	60-4-2-N-0	Tee	X	2
21	A729-28	Tube (Ref)		

NOTES

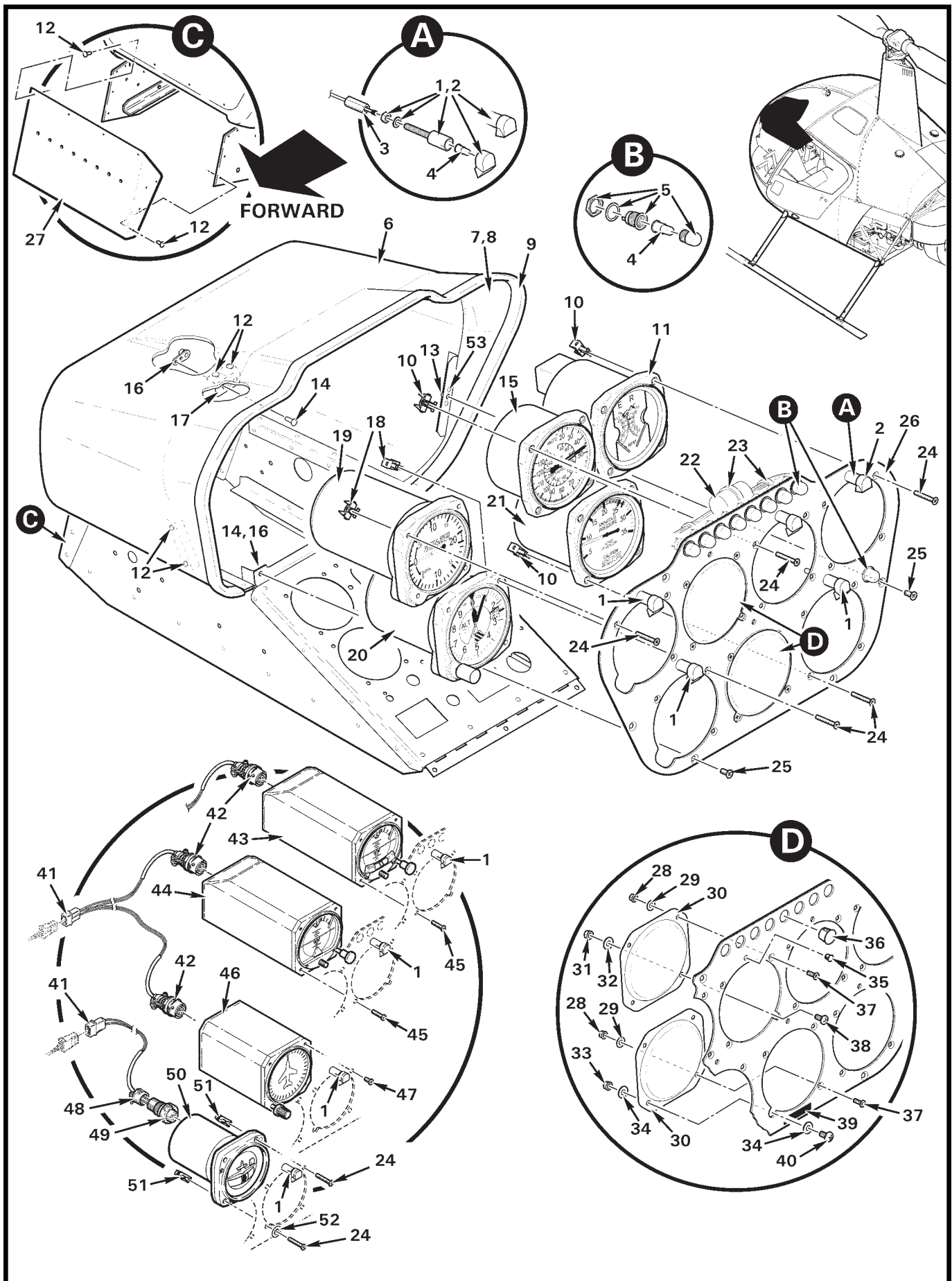


FIGURE AND INDEX NUMBER	PART NUMBER	DESCRIPTION	PARTS AVAIL	QTY PER ASSY
UPPER CONSOLE – SEVEN-INSTRUMENT				
95-25-1	B195-10*	Post Light Assembly (Incl item 4)	X	A/R
	02-0350283-06	Head Assembly (for red lighting)	X	1
2	B195-14*	Post Light (Incl item 4)	X	1
3	B195-9	Connector Nut (includes wire)	X	5
4	B196-1	Lamp	X	12
5	B198-1**	Warning Light (yellow)	X	2
	B198-2**	Warning Light (red)	X	5
6	B051-1	Console Assembly	X	1
7	B051-4	Visor Liner (install using item 8)	X	1
8	B270-8qt	Adhesive	X	A/R
9	A226-11	Trim (3-foot length, PVC)	X	A/R
10	MS33737-15C	Instrument Nut	X	12
11	A792-4	Engine/Rotor Tachometer (all R22s)	X	1
	A792-4R	A792-4 Engine/Rotor Tachometer (overhaul exchange)	X	1
	A792-2	Engine/Rotor Tachometer (Ref, ship S/N 0002 thru 2570. No longer available; order overhaul exchange or A792-4.)		
	A792-2R	A792-2 Engine/Rotor Tachometer (overhaul exchange)	X	1
12	MS20470AD3	Rivet	X	20
13	MS21069L08	Nutplate	X	2
14	MS20426AD3	Rivet	X	8
15	A599-1	Airspeed Indicator (Knots, MPH)	X	1
	A599-2	Airspeed Indicator (KM/H, Knots)	X	1
16	MS21071L08	Nutplate	X	4
17	B181-2	Angle	X	2
18	MS33737-13C	Instrument Nut	X	6
19	A602-1	Rate-of-Climb Indicator	X	1
	A602-2	Rate-of-Climb Indicator – IVSI (optional)	X	1
20	A613-1	Altimeter – In. Hg	X	1
	A613-2	Altimeter – Millibar	X	1
	A613-4	Altimeter – Metric	X	1
21	A600-3	Manifold Pressure Gage (used on Beta and Mariner)	X	1
	A600-5	Manifold Pressure Gage (ship S/N 2571M and subsequent)	X	1
22	A655-1	Time Delay – Low Fuel Warning	X	1
23	MS3367-4-9	Ty-Rap	X	3
24	MS24693-S32	Screw	X	18

NOTES * Supplied with blue/white lens; order 02-0350283-06 head assembly when red lighting is required.
 ** Order item 4 when replacing.

Continues

FIGURE AND INDEX NUMBER	PART NUMBER	DESCRIPTION	PARTS AVAIL	QTY PER ASSY
UPPER CONSOLE – SEVEN-INSTRUMENT (Cont'd)				
95-25-25	MS24694-S4	Screw	X	6
26	B197-1	Face	X	1
27	B182-1	Cover	X	1
28	MS21042L06	Nut	X	6
29	NAS1149FN616P	Washer	X	6
30	B190-6	Cover	X	A/R
31	MS21042L08	Nut	X	1
32	NAS1149FN816P	Washer	X	1
33	MS21042L3	Nut	X	4
34	NAS1149F0332P	Washer	X	1
35	2590	Hole Plug	X	A/R
36	2633	Hole Plug	X	1
37	MS24693-S27	Screw	X	6
38	MS27039C0806	Screw	X	1
39	A743-1	Call Letters Plate (please specify call letters)	X	1
40	MS27039C1-06	Screw	X	1
41	B263-12	Housing	X	1
	B263-1	Pin	X	2
42	MS3116F8-4S	Connector	X	2
43	B823-12	Attitude Indicator with Inclonometer (Optional; supersedes B823-3. See Chapter 99 for KI-65/66 field installation kits.)	X	1
44	B823-10	Attitude Indicator (optional; supersedes B823-1)	X	1
45	MS24693-S30	Screw	X	3
46	B823-11	Directional Gyro (Optional; supersedes B823-2. See Chapter 99 for KI-65/66 field installation kits.)	X	1
47	MS24693-S26	Screw	X	1
48	MS3057-4-A	Strain Relief	X	1
49	MS3106A10SL-3S	Connector	X	1
50	B329-1	Turn Coordinator	X	1
51	MS33737-12C	Instrument Nut	X	4
52	A3135-017-24A	Washer (countersunk; alternate part no. A3135-017-935)	X	1
53	NAS1097AD3	Rivet	X	4

NOTES

Intentionally Blank

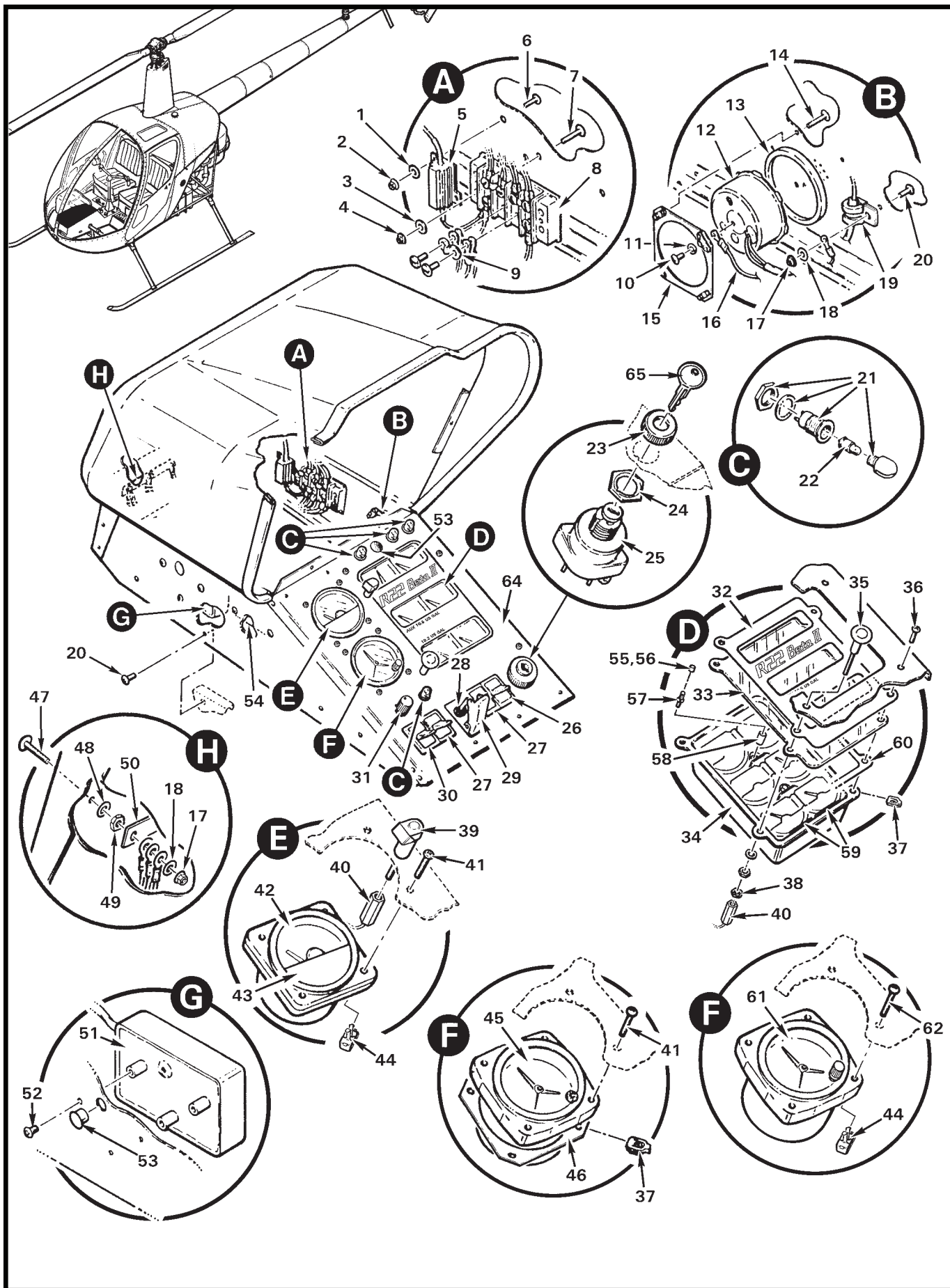


FIGURE AND INDEX NUMBER	PART NUMBER	DESCRIPTION	PARTS AVAIL	QTY PER ASSY
LOWER PANEL – SEVEN-INSTRUMENT				
95-29-1	NAS1149FN416P	Washer	X	2
2	MS21042L04	Nut	X	2
3	NAS1149FN616P	Washer	X	4
4	MS21042L06	Nut	X	4
5	RH25	Resistor (1.5 Ω)	X	1
6	MS35206-215	Screw	X	2
7	MS35206-231	Screw	X	4
8	601716-4	Terminal Block (instrument lights)	X	1
9	601985-2	Jumper Tab ([3] for each terminal block)	X	6
10	MS35206-241	Screw	X	1
11	B332-42	Washer	X	1
12	B320-1	Horn Assembly – Low RPM Warning (Incl item 16)	X	1
13	A479-2	Ring	X	1
14	MS27039C0810	Screw	X	4
15	A479-1	Plate	X	1
16	B320-79	Wire (order next assembly B320-1 or-3)	O	1
17	MS21042L08	Nut	X	6
18	NAS1149FN816P	Washer	X	6
19	MS21919WDG2	Clamp	X	1
20	MS27039C0806	Screw	X	3
21	B198-1 *	Warning Light – Alternator, Brake, and “Gov Off” (yellow) . . .	X	3
	B198-2 *	Warning Light – Oil Pressure (red)	X	1
22	B196-1	Lamp	X	4
23	—	Nut (order next assembly A661-1)	O	1
24	—	Nut (order next assembly A661-1)	O	1
25	A661-1	Ignition Switch (Incl items 23, 24, and [2] keys)	X	1
26	B184-2	Switch Assembly – Battery	X	1
27	B184-1	Switch Assembly – Alternator and Strobe	X	2
28	MS25068-23	Switch – Clutch	X	1
29	MS25224-1	Guard	X	1
30	B184-3	Switch Assembly – Nav Lights	X	1
31	RES10R	Rheostat – Panel Light Dimmer	X	1
	50-1WD-1G	Knob	X	1
32	B193-6	Window Plate – “R22 Beta”	X	1
	B193-14	Window Plate – “R22 Beta II”	X	1

NOTES * Order item 22 when replacing.

Continues

FIGURE AND INDEX NUMBER	PART NUMBER	DESCRIPTION	PARTS AVAIL	QTY PER ASSY
LOWER PANEL — SEVEN-INSTRUMENT (Cont'd)				
95-29-32	B193-7	Window Plate — "R22 Beta" (Instrument Trainer)	X	1
	B193-15	Window Plate — "R22 Beta II" (Instrument Trainer)	X	1
	B193-8	Window Plate — "R22 Beta" (with aux fuel)	X	1
	B193-16	Window Plate — "R22 Beta II" (with aux fuel)	X	1
	B193-11	Window Plate — "R22 Beta" (Instrument Trainer with aux fuel)	X	1
	B193-17	Window Plate — "R22 Beta II" (Instrument Trainer with aux fuel)	X	1
	B193-12	Window Plate — "R22 Mariner"	X	1
	B193-18	Window Plate — "R22 Mariner II"	X	1
	B193-13	Window Plate — "R22 Mariner" (with aux fuel)	X	1
	B193-19	Window Plate — "R22 Mariner II" (with aux fuel)	X	1
33	0003-00434	Window Crystal (clear plastic)	X	1
34	A617-5*	Instrument Cluster (Includes items 33, 37 [3], and 56 thru 60; not shown)	O	1
	B144-3*	Instrument Cluster (with aux fuel, includes items 33, 37 [3], and 56 thru 60)	X	1
35	B195-17**	Light — Switches (blue/white)	X	1
36	MS35206-230	Screw	X	3
37	B162-1	Clipnut	X	7
38	B330-6	Palnut	X	1
39	B195-10	Post Light	X	1
40	B195-9	Connector Nut	X	1
41	MS35206-232	Screw	X	4
42	A604-2	Carb Air Temp Gage (Incl item 43)	X	1
43	A654-66	Decal (carb heat instructions)	X	1
44	MS33737-13C	Instrument Nut	X	4
45	A072-4	Clock Assembly (Ref, no longer available)		
	B196-3	Lamp (blue/white)	X	1
	B196-4	Lamp (red)	X	1
46	A730-5	Cover (Ref, no longer available)		
47	MS35206-247	Screw	X	5
48	NAS1149DN832H	Washer	X	5
49	B301-8	Nut	X	5
50	A448-14	Bus Bar (eight holes)	X	1
	A448-8	Bus Bar (five holes)	X	1

NOTES * Supplied with white lighting. Order two of item 55 when red lighting is required. See Figure 95-47 for individual meters.
 ** Replace lamp with item 22.

Continues

FIGURE AND INDEX NUMBER	PART NUMBER	DESCRIPTION	PARTS AVAIL	QTY PER ASSY
LOWER PANEL — SEVEN-INSTRUMENT (Cont'd)				
95-29-51	A569-5	Warning Unit – Low RPM (For ship S/N 2115 and subsequent, replaces A569-1 unit and B140-1 relay. See Figure 95-51 for conversion kit for ship S/N's 0002 thru 2114.)	X	1
	52 MS35206-241	Screw	X	3
	53 2633	Hole Plug	X	1
	54 601716-4	Terminal Block (warning lights)	X	1
	55 6P47	Cap (for red lighting requirement)	X	2
	56 17P47	Cap (for white lighting requirement)	X	2
	57 100057017	Lamp (gray base)	X	2
	58 A700-1	Barrier	X	2
	59 —	Desiccant Bag (Ref, 1-gram bag)	O	2
	60 0015-00723	Gasket	X	1
	61 A072-7	Clock (analog; includes items 63, 66, and connector)	X	1
	62 MS35206-234	Screw	X	4
	63 MS33737-12C	Instrument Nut	X	4
	64 B051-2	Face Assembly	X	1
	65 R8096	Key – Duplicate (specify ship S/N and "PK" numbers when ordering)	X	1
	66 A072-9	Light Tray Assembly (not shown)	X	1

NOTES

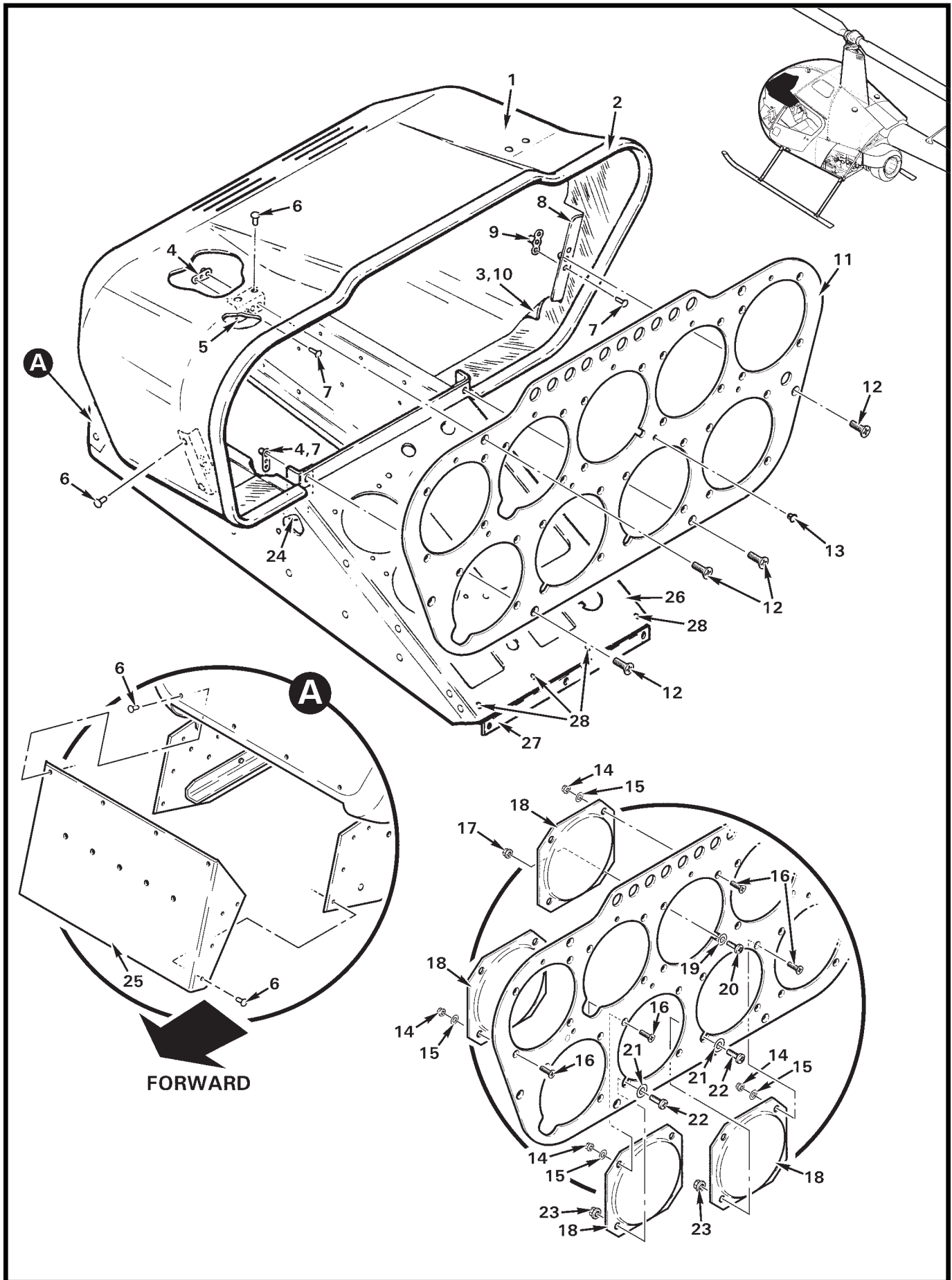


FIGURE AND INDEX NUMBER	PART NUMBER	DESCRIPTION	PARTS AVAIL	QTY PER ASSY
UPPER CONSOLE – NINE-INSTRUMENT				
95-33-1	B051-5	Nine-Instrument Console Assembly (Includes items 2 thru 10, lower panels, and hinge as shown. Contact RHC Customer Service for replacement.)	O	1
2	A226-11	Trim (3-foot length, PVC)	X	A/R
3	B270-8qt	Adhesive	X	A/R
4	MS21071L08	Nutplate	X	4
5	B181-2	Angle	X	2
6	MS20470AD3	Rivet	X	20
7	MS20426AD3	Rivet	X	12
8	B181-3	Angle	X	2
9	MS21069L08	Nutplate	X	2
10	B051-8	Liner (vinyl, install using item 3)	X	1
11	B206-1	Face	X	1
12	MS24694-S3	Screw	X	6
13	2590	Hole Plug	X	A/R
14	MS21042L06	Nut	X	13
15	NAS1149FN616P	Washer	X	13
16	MS24693-S27	Screw	X	13
17	MS21042L08	Nut	X	1
18	B190-6	Cover	X	A/R
19	NAS1149FN816P	Washer	X	1
20	MS27039C0806	Screw	X	1
21	NAS1149F0332P	Washer	X	2
22	MS27039C1-06	Screw	X	2
23	MS21042L3	Nut	X	2
24	A365-11	Channel	X	2
25	B182-2	Cover	X	1
26	B051-2	Face Assembly (Incl items 27 and 28)	X	1
27	A356-2	Hinge	X	1
28	MS20426AD	Rivet	X	4

NOTES

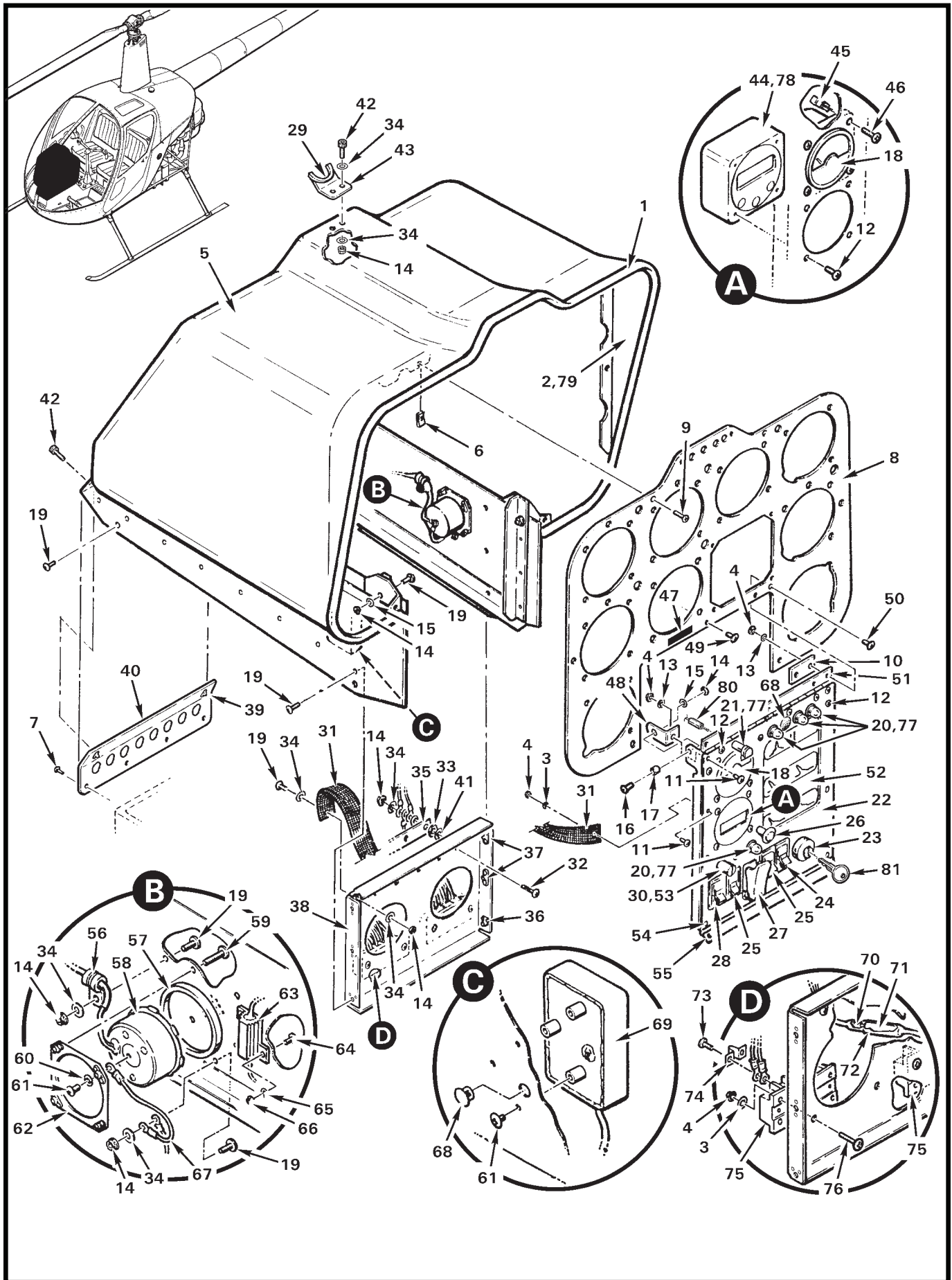


FIGURE AND INDEX NUMBER	PART NUMBER	DESCRIPTION	PARTS AVAIL	QTY PER ASSY
		UPPER CONSOLE – TEN-INSTRUMENT/IFR TRAINER		
95-35-1	A226-11	Trim	X	A/R
2	A077-2	Liner (install using item 79)	X	1
3	NAS1149FN616P	Washer	X	6
4	MS21042L06	Nut	X	13
5	A077-1	Shell Assembly (Includes items 1, 2, 14 [2], 15, 19 [8], 38, and [1] A978-1 shell. Contact RHC Customer Service for replacement.)	O	1
	A978-1	Shell (console shell only)	O	1
6	B162-2	Clipnut	X	6
7	MS20470AD4	Rivet	X	4
8	A981-1	Face	X	1
9	MS24694-S3	Screw	X	6
10	A988-1	Doubler	X	2
11	MS35206-229	Screw	X	4
12	MS35206-228	Screw	X	A/R
13	NAS1149FN632P	Washer	X	17
14	MS21042L08	Nut	X	12
15	NAS1149FN832P	Washer	X	4
16	MS27039C0808	Screw	X	2
	MS24694-S3	Screw (if DME installed)	X	2
17	A130-37	Spacer	X	2
	B220-1	Spacer (if DME installed)	X	2
18	A604-2	Carb Air Temp Gage (includes A654-66 decal)	X	1
19	MS27039C0806	Screw	X	13
20	B198-1	Warning Light (yellow; order item 77 when replacing)	X	2
	B198-2	Warning Light (red; order item 77 when replacing)	X	1
21	B195-10	Post Light (blue with hood; includes item 77)	X	1
22	A980-2 (A033-3)	Face Assembly (Ship S/N 0002 thru 0500. Includes items 54 and 55.)	X	1
	A980-2 (B192-1)	Face Assembly (Ship S/N 0501 and subsequent. Includes items 54 and 55.)	X	1
23	A661-1	Switch – Ignition (includes [2] keys; see also Figure 95-47)	X	1
24	B184-2*	Switch – Battery	X	1
25	B184-1*	Switch Assembly – Alternator and Strobe Light	X	1
26	B195-17	Light – Panel (blue/white light; replace lamp with item 77)	X	1
	A200CNRDBKSH14	Light – Panel (red light; replace lamp with item 77)	X	1

NOTES * Ship S/N 0002 thru 0500, see Figure 95-39.

Continues

FIGURE AND INDEX NUMBER	PART NUMBER	DESCRIPTION	PARTS AVAIL	QTY PER ASSY
		UPPER CONSOLE — TEN-INSTRUMENT/IFR TRAINER (Cont'd)		
95-35-27	MS25068-23	Switch – Clutch (7664K5 switch on earlier R22s)	X	1
	MS25224-1	Guard (red plastic)	X	1
28	B184-3*	Switch Assembly – Nav Lights	X	1
29	MS35489-16	Grommet (or AN931-9-13)	X	1
	B270-17	Adhesive (3 gram size, attaches grommet)	X	A/R
30	50-1WD-1G	Knob	X	1
31	A989-1	Strap	X	2
32	MS35206-247	Screw	X	5
33	B301-8	Nut	X	5
34	NAS1149FN816P	Washer	X	7
35	A448-8	Bus Bar	X	1
36	MS21086L08	Nutplate	X	2
37	MS21075L08E	Nutplate	X	4
38	A974-1	Web Assembly (Incl items 36 and 37)	X	1
39	MS21070L08	Nutplate	X	2
40	A140-1	Stiffener	X	1
41	NAS1149DN832H	Washer	X	5
42	NAS1352C08-6	Screw	X	2
43	B255-1	Console Support Assembly (Incl item 29)	X	1
44	A064-3	Chronometer (Digital clock; includes items 12 and 78. Standard equipment on IFR Trainer; optional on Ten-Instrument panel. For analog clock installation, see Figure 95-29.)	X	1
45	MS33737-13C	Instrument Nut	X	4
46	MS35206-232	Screw	X	4
47	A743-1	Call Letters Plate (please specify call letters)	X	1
48	A963-1	Angle	X	2
49	MS24693-S26	Screw (center position)	X	1
50	MS24693-S27	Screw	X	4
51	A986-2	Hinge	X	1
52	A617-5**	Instrument Cluster Assembly (aux fuel tank not installed; not shown)	O	1
	B144-3**	Instrument Cluster Assembly (aux fuel tank installed)	X	1
	6P47	Cap (order two when red lighting is required)	X	2
53	RES10R	Rheostat – Panel Lights	X	1
54	MS20426AD3	Rivet (flush)	X	7

NOTES * For ship S/N 0002 thru 0500, see Figure 95-47.
 ** Supplied with white lighting. See also Figures 95-47 and 95-29 for complete assembly.

Continues

FIGURE AND INDEX NUMBER	PART NUMBER	DESCRIPTION	PARTS AVAIL	QTY PER ASSY
UPPER CONSOLE — TEN-INSTRUMENT/IFR TRAINER (Cont'd)				
95-35-55	A356-2	Hinge	X	1
56	MS21919WDG2	Clamp	X	1
57	A479-2	Ring	X	1
58	B320-1	Horn Assembly – Low RPM Warning (Incl items 60, 61, and 67)	X	1
59	MS27039C0810	Screw	X	4
60	B332-42	Lockwasher	X	1
61	MS35206-241	Screw	X	4
62	A479-1	Plate	X	1
63	RH25	Resistor (1.5 Ω, 25W)	X	1
64	MS35206-215	Screw	X	2
65	NAS1149FN416P	Washer	X	2
66	MS21042L04	Nut	X	2
67	B320-79	Wire	O	1
68	2633	Hole Plug	X	1
69	A569-5*	Low RPM Warning Unit	X	1
70	B261-2	Splice	X	1
71	R5277	Resistor (20 Ω, 10W)	X	1
72	B158-6	Heat Shrink	X	A/R
73	—	Screw	O	8
74	601985-2	Jumper Tab	X	3
75	601716-4	Terminal Block (warning lights; includes item 73 and 74)	X	2
76	MS35206-231	Screw	X	4
77	B196-1	Lamp	X	4
78	B196-5	Lamp	X	1
79	B270-8qt	Adhesive	X	A/R
80	B195-9	Connector Nut	X	2
81	R8096	Key – Duplicate (specify ship S/N and “PK” numbers when ordering)	X	1

NOTES * Replaces A569-1 warning unit and B140-1 relay. See page 95.51 for conversion kit (ship S/N 2114 and prior).

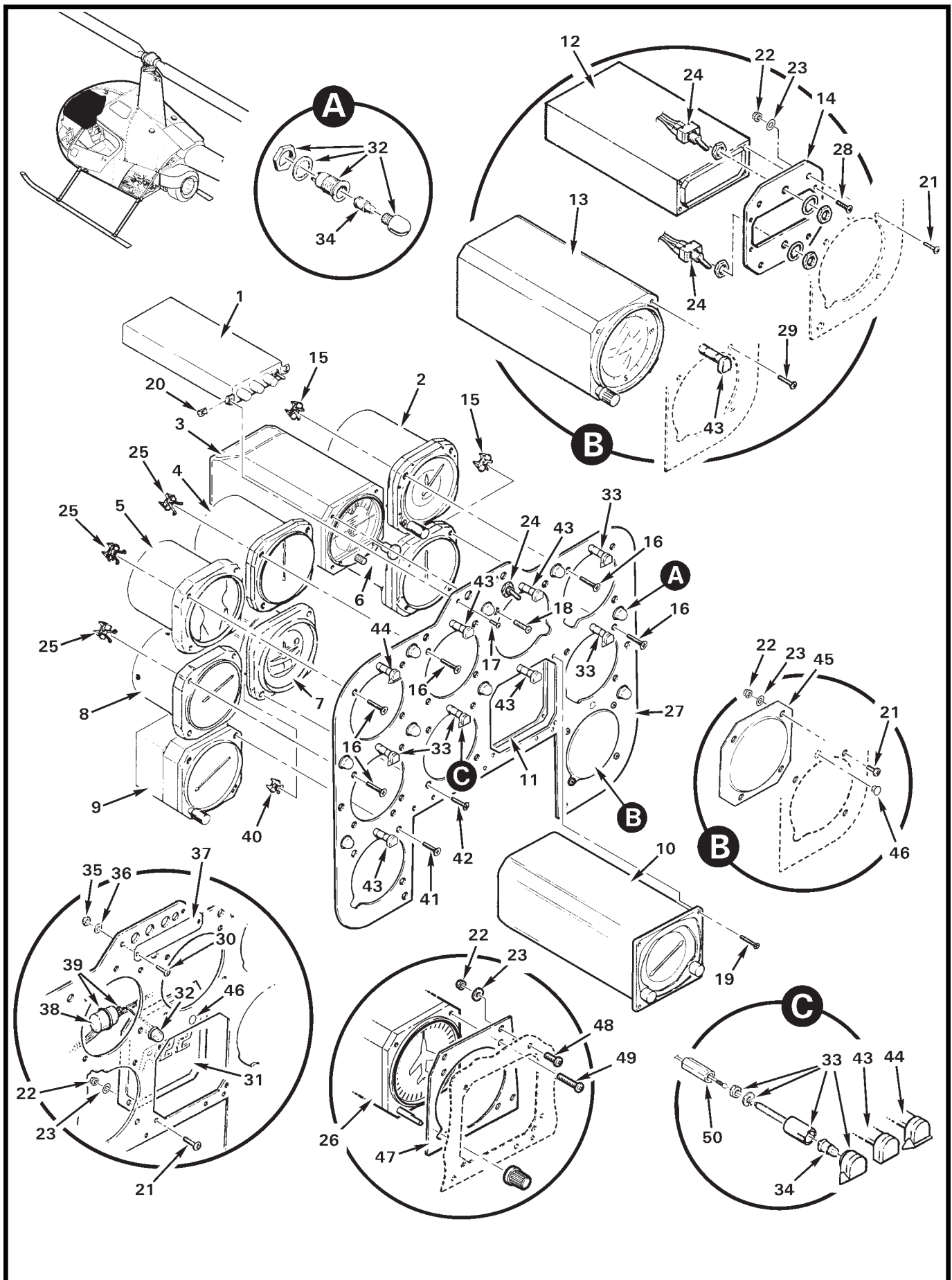


FIGURE AND INDEX NUMBER	PART NUMBER	DESCRIPTION	PARTS AVAIL	QTY PER ASSY
UPPER PANEL – TEN-INSTRUMENT/IFR TRAINER				
95-39-1	KR0022-00*	Marker Beacon (Incl items 17 and 20)	O	1
2	KEA 129*	Altimeter (encoding)	O	1
	5035-P2-P42	Altimeter (encoding; United Instruments)	O	1
3	B823-10	Attitude Indicator	X	1
4	A599-1	Airspeed Indicator (Knots, MPH)	X	1
	A599-2	Airspeed Indicator (KM/H, Knots)	X	1
5	A792-2	Engine/Rotor Tachometer (ship S/N 0002 thru 2570)	X	1
	A792-4	Engine/Rotor Tachometer (ship S/N 2571M and subsequent)	X	1
6	A602-1	Rate-of-Climb Indicator	X	1
	A602-2	Rate-of-Climb Indicator IVSI (optional)	X	1
7	B329-1	Turn Coordinator (1394-T100-7Z)	X	1
8	A600-2	Manifold Pressure Gauge (Used on Alpha)	X	1
	A600-3	Manifold Pressure Gauge (Used on Beta and Mariner)	X	1
	A600-5	Manifold Pressure Gauge (ship S/N 2571M and subsequent)	X	1
9	KI 227-01*	ADF Indicator	O	1
	KI 227-00*	ADF Indicator (ten-instrument panel only)	O	1
10	KI 525A*	Pictorial Nav Indicator** (Ref)	O	1
11	047-03937-0001*	Plate** (Ref)		
12	KDI 574*	DME Indicator	O	1
13	066-03034-0000*	VOR Indicator (KI 203, VOR/LOC)	O	1
	066-03034-0002*	VOR Indicator (KI 204, VOR/LOC/GS)	O	1
	GI 106B	VOR Indicator (Garmin part no., VOR/LOC/GS/GPS)	O	1
	066-03056-0000*	VOR Indicator (KI 208, earlier aircraft)	O	1
14	A590-1	Cover Plate (required if item 12 installed)	X	A/R
15	MS33737-13C	Instrument Nut	X	6
16	MS24693-S32	Screw	X	26
17	—	Screw	X	2
18	MS24693-S30	Screw	X	3
19	089-05115-0012*	Screw** (Ref)		
20	—	Clipnut	O	2
21	MS35206-228	Screw	X	7
22	MS21042L06	Nut	X	A/R
23	NAS1149FN616P	Washer	X	A/R
24	B300-1	Switch (includes washer and nut)	X	A/R
25	MS33737-15C	Instrument Nut	X	12

NOTES * Bendix/King part no.
 ** See Figure 95-53 for installation.

Continues

FIGURE AND INDEX NUMBER	PART NUMBER	DESCRIPTION	PARTS AVAIL	QTY PER ASSY
UPPER PANEL – TEN-INSTRUMENT/IFR TRAINER (Cont'd)				
95-39-26	B823-11	Directional Gyro	X	1
27	A981-1	Face (Ref, see Figure 95-35)		
28	—	Screw	O	4
29	MS35206-231	Screw	X	2
30	MS35206-215	Screw	X	2
31	B190-2	Cover (Ref, no longer available)		
32	B198-1*	Warning Light (yellow)	X	9
	B198-2*	Warning Light (red)	X	A/R
33	B195-10	Post Light (Incl item 34)	X	A/R
34	B196-1	Lamp	X	11
35	MS21042L04	Nut	X	2
36	NAS1149FN416P	Washer	X	2
37	A173-2	Cover (when marker beacon is not installed)	X	1
38	A655-1	Time Delay – Low Fuel Warning	X	1
39	MS3367-4-9	Ty-Rap	X	2
40	MS33737-12C	Instrument Nut	X	4
41	MS24693-S27	Screw	X	3
42	MS24693-S32	Screw	X	4
43	B195-3	Post Light (Incl item 34)	X	A/R
44	B195-14	Post Light (clear, narrow beam, includes item 34)	X	1
45	B190-6	Cover (required if items 12 or 13 not installed)	X	A/R
46	2590	Hole Plug (if no post light installed)	X	A/R
47	B258-1	Adapter	X	1
48	MS35206-230	Screw	X	3
49	MS35206-233	Screw	X	3
50	B195-9	Connector Nut	X	A/R

NOTES * Order item 34 when replacing.

Intentionally Blank

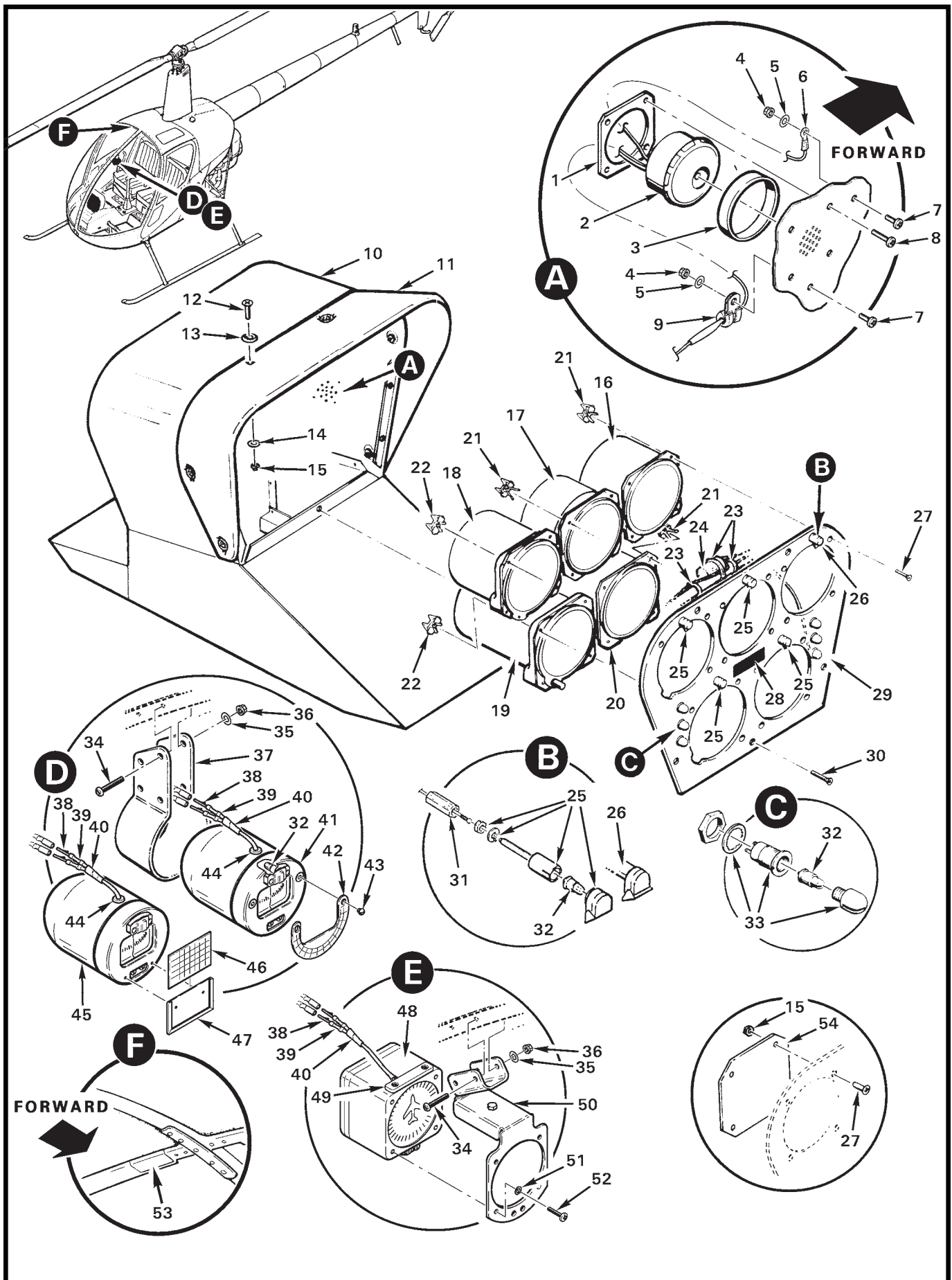


FIGURE AND INDEX NUMBER	PART NUMBER	DESCRIPTION	PARTS AVAIL	QTY PER ASSY
UPPER CONSOLE – FIVE-INSTRUMENT				
95-43-1	A479-1	Plate	X	1
2	B320-1	Horn Assembly – Low RPM Warning	X	1
3	A479-2	Ring	X	1
4	MS21042L08	Nut	X	2
5	NAS1149FN816P	Washer	X	2
6	B320-79	Wire	O	1
7	MS27039C0806	Screw	X	2
8	MS27039C0810	Screw	X	4
9	MS21919WDG2	Clamp	X	1
10	A033-2	Upper Console (Ref)		
11	A519-1	Shield	X	1
12	MS24693-S27	Screw	X	6
13	A3236-012-24A	Washer	X	6
14	NAS1149FN632P	Washer	X	6
15	MS21042L06	Nut	X	6
16	A792-2*	Engine/Rotor Tachometer (Ref, no longer available. Order overhaul exchange or A792-4.)		
	R9022	A792-2 Engine/Rotor Tachometer (overhaul exchange)	X	1
	A792-4	Engine/Rotor Tachometer (all R22s)	X	1
	R9024	A792-4 Engine/Rotor Tachometer (overhaul exchange)	X	1
17	A599-1	Airspeed Indicator (Knots, MPH)	X	1
	A599-2	Airspeed Indicator (KM/H, Knots)	X	1
18	A602-1	Rate-of-Climb Indicator	X	1
	A602-2	Rate-of-Climb Indicator – IVSI (optional)	X	1
19	A613-1	Altimeter – In. Hg	X	1
	A613-2	Altimeter – Millibar (optional)	X	1
20	A600-1	Manifold Pressure Gage (ship S/N 0002 thru 0199 except 0175)	X	1
	A600-2	Manifold Pressure Gage (ship S/N 0175 and 0200 thru 0500)	X	1
21	MS33737-15C	Instrument Nut (airspeed, manifold pressure, tachometer)	X	8
22	MS33737-13C	Instrument Nut (rate-of-climb and altimeter)	X	6
23	MS3367-4-9	Ty-Rap	X	3
24	A655-1	Time Delay – Low Fuel Warning	X	1
25	B195-10**	Post Light Assembly (Incl item 32)	X	4
26	B195-14**	Post Light Assembly (Incl item 32)	X	1

NOTES * For ship S/N 0002 thru 0470, order KI-40-1 Dual Tach installation kit and tachometer. See Chapter 99.
 ** Supplied with blue/white lens; order 02-0350283-06 head assembly when red lighting required.

Continues

FIGURE AND INDEX NUMBER	PART NUMBER	DESCRIPTION	PARTS AVAIL	QTY PER ASSY
UPPER CONSOLE – FIVE-INSTRUMENT (Cont'd)				
95-43-27	MS24693-S32	Screw	X	18
28	A743-1	Call Letters Plate (please specify call letters)	X	1
29	A777-1	Face	X	1
30	MS24694-S3	Screw	X	5
31	B195-9	Connector Nut	X	5
32	B196-1	Lamp	X	11
33	B198-1*	Warning Light (yellow)	X	6
	B198-2*	Warning Light (red; as required for earlier R22s)	X	A/R
34	AN515UB8R20	Screw	X	4
35	NAS1149DN816J	Washer	X	4
36	NAS1291C08M	Nut	X	4
37	A685-1	Mount – Compass	X	1
38	B263-1	Pin	X	2
39	B158-2	Heat Shrink (0.125 in. dia, black)	X	A/R
40	B158-3	Heat Shrink (0.187 in. dia, black)	X	A/R
41	A022-3	Compass Assembly (Revision “AL” and subsequent. Includes items 32, 38 thru 40, 42 and 44.)	X	1
42	C23-807	Deviation Plate	X	1
43	—	Screw	O	2
44	MS35489-4	Grommet	X	1
45	A022-3	Compass Assembly (Revision “AK” and prior; Ref. No longer available. Superseded by item 41. For earlier R22s with items 46 and 47 installed.)		
46	C23-807	Deviation Card	X	1
47	C23-805M	Mount – Deviation Card	X	1
48	B148-2	Compass Assembly – Vertical Card (Optional; includes items 39, 40, 49, and 51 thru 53.)	X	1
49	PAI - 14V	Light Bar (Ref)		
50	B339-1	Mount (vertical card compass)	X	1
51	MS35338-136B	Lockwasher	X	4
52	—	Screw	O	4
53	PAI-DE-CARD	Deviation Placard	X	1
54	A730-1	Cover (if no instrument installed)	O	A/R
	B190-6	Cover (if no instrument installed)	X	A/R

NOTES * Order item 32 when replacing.

Intentionally Blank

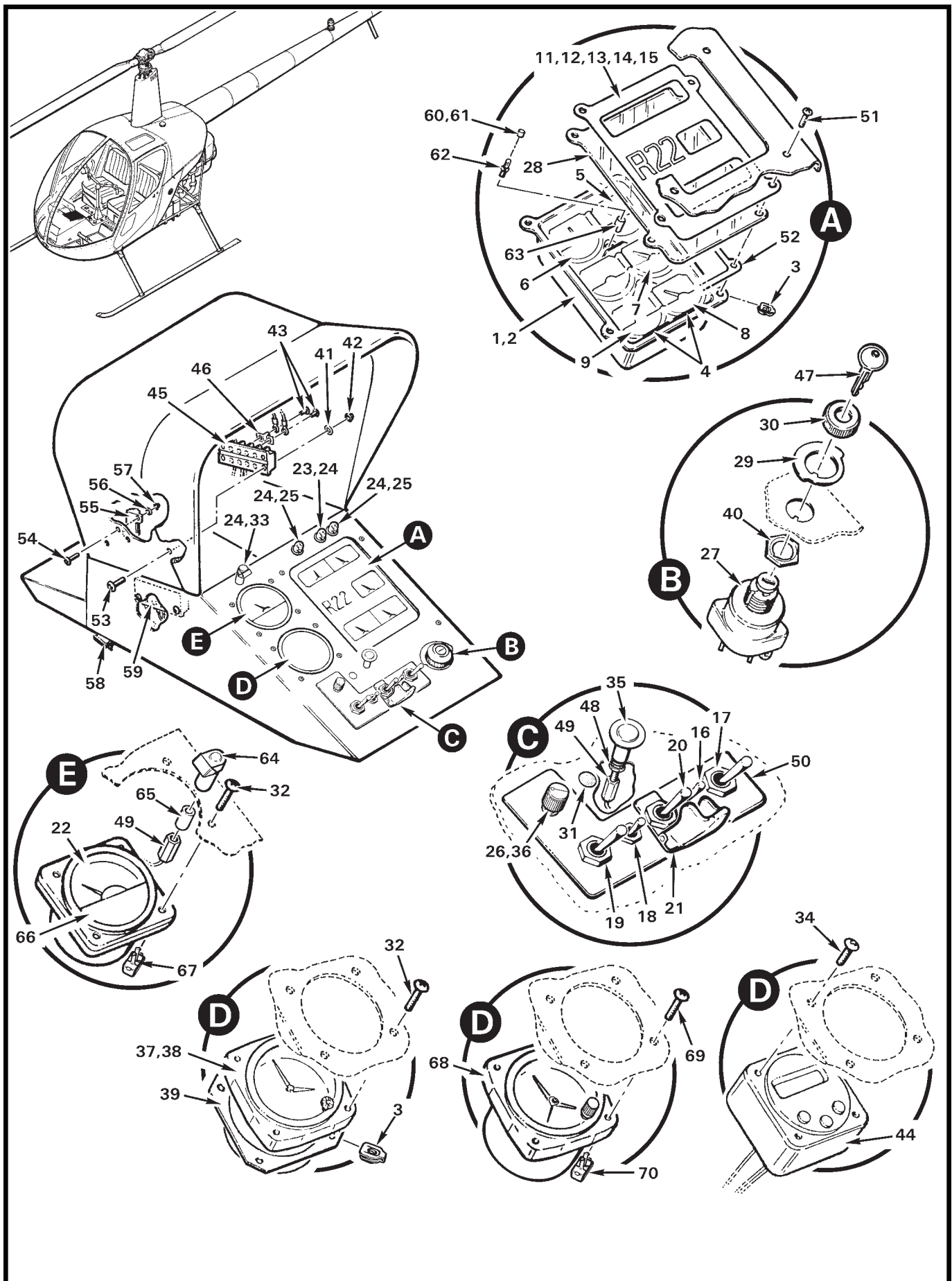


FIGURE AND INDEX NUMBER	PART NUMBER	DESCRIPTION	PARTS AVAIL	QTY PER ASSY
		LOWER INSTRUMENT PANEL*		
95-47-1	A617-5**	Instrument Cluster Assembly without Aux Fuel (Incl items 3 thru 9, 28, 52, and 61 thru 63)	O	1
2	B144-3**	Instrument Cluster Assembly with Aux Fuel (includes items 3 thru 10, 28, 52, and 61 thru 63; not shown)	X	1
3	B162-1	Clipnut	X	4
4	—	Desiccant Bag (1-gram bag, Ref)	O	2
5	6246-00089	Oil Pressure Meter (O-320)	X	1
	6246-00647	Oil Pressure Meter (O-360)	X	1
6	6246-00468	Ammeter	X	1
7	6246-00090	Oil Temperature Meter	X	1
8	6246-00088	Cylinder Head Temperature Meter	X	1
9	6246-00473	Fuel Quantity Meter (main fuel)	X	1
10	6246-00473	Fuel Quantity Meter (aux fuel, not shown)	X	1
11	B193-5	Window Plate – “R22 Alpha” (with aux fuel)	X	1
12	B193-1	Window Plate – “R22”	X	1
13	B193-2	Window Plate – “R22 HP”	X	1
14	B193-3	Window Plate – “R22 Alpha”	X	1
15	B193-4	Window Plate – “R22 Alpha” (Instrument Trainer)	X	1
16	B300-1*	Switch – Alternator	X	1
17	B300-4*	Switch – Battery	X	1
18	B300-1*	Switch – Strobe Light	X	1
19	B300-4*	Switch – Nav Lights	X	1
20	MS25068-23	Switch – Clutch	X	1
21	MS25224-1	Guard	X	1
22	A604-2	Carb Air Temp Gauge (Incl item 66)	X	1
23	B198-2***	Warning Light – Oil Pressure (red)	X	1
24	B196-1	Lamp	X	4
25	B198-1***	Warning Light – Alternator and Gov off (amber)	X	2
26	RES10R	Rheostat – Panel Lights	X	1
27	A661-1	Switch – Ignition/Starter (Incl items 30, 40, and [2] keys)	X	1
28	0003-00434	Window Crystal (clear plastic)	X	1
29	10-126676*	Placard	X	1
30	—	Nut	O	1
31	DP-250	Hole Plug	X	1
32	MS35206-232	Screw	X	4

NOTES * Ship S/N 0002 thru 0500.
 ** Supplied with white lighting. Order two of item 60 when red lighting is required.
 *** Order item 24 when replacing.

Continues

FIGURE AND INDEX NUMBER	PART NUMBER	DESCRIPTION	PARTS AVAIL	QTY PER ASSY
LOWER INSTRUMENT PANEL* (Cont'd)				
95-47-33	B195-10**	Post Light (This position for earlier R22s with CAT gauge in top position. Includes item 24 and 66.)	X	1
34	MS35206-228	Screw	X	4
35	B195-17***	Light – Panel (blue/white; includes item 24)	X	1
	A200CNRDBKSH14	Light*** – Panel (red)	X	1
36	MS91528-0C1B	Knob	X	1
37	A072-4	Clock Assembly (Ref, no longer available)		
38	B196-3	Lamp (blue/white)	X	1
	B196-4	Lamp (red)	X	1
39	A730-5	Cover (Ref, no longer available)		
40	–	Nut	O	1
41	NAS1149FN616P	Washer	X	4
42	MS21042L06	Nut	X	4
43	–	Screw	O	6
44	A064-3	Chronometer Assembly – Digital (Optional; ship S/N 0425 and subsequent, includes B196-5 lamp. See Figure 95-55.) . .	X	1
45	601716-4	Terminal Block (upper; instrument lights)	X	1
46	601985-2	Jumper Tab	X	3
47	R8096	Key – Duplicate (specify ship S/N and “PK” numbers when ordering)	X	1
48	B330-6	Palnut	X	1
49	B195-9	Connector Nut	X	2
50	A724-1	Name Plate (ship S/N 0002 thru 0411, not shown)	X	1
	A724-2	Name Plate (ship S/N 0412 thru 0500)	X	1
51	MS35206-230	Screw	X	4
52	0015-00723	Gasket	X	1
53	MS35206-231	Screw	X	4
54	MS35206-215	Screw	X	2
55	RH25	Resistor (1.5Ω)	X	1
56	NAS1149FN416P	Washer	X	2
57	MS21042L04	Nut	X	2
58	A701-3	Tape – Polychor	X	A/R
59	601716-4	Terminal Block – (lower; warning lights)	X	1
60	6P47	Cap (for red lighting requirement)	X	2
61	17P47	Cap (for white lighting requirement)	X	2

NOTES * Ship S/N 0002 thru 0500.
 ** Supplied with blue/white lens; order 02-0350283-06 head assembly when red lighting required.
 *** Replace lamp with item 24.

Continues

FIGURE AND INDEX NUMBER	PART NUMBER	DESCRIPTION	PARTS AVAIL	QTY PER ASSY
LOWER INSTRUMENT PANEL* (Cont'd)				
95-47-62	100057017	Lamp (gray base)	X	2
63	A700-1	Barrier	X	2
64	B195-10**	Post Light (Incl items 24 and 49)	X	1
65	A130-34**	Spacer	X	1
66	A654-66	Decal (carb heat instructions)	X	1
67	MS33737-13C	Instrument Nut	X	4
68	A072-7**	Clock – Analog (Includes items 70, 71, and connector, assembled)	X	1
69	MS35206-234**	Screw	X	4
70	MS33737-12C	Instrument Nut	X	4
71	A072-9	Light Tray Assembly (not shown)	X	1

NOTES * Ship S/N 0002 thru 0500.
 ** If installed.

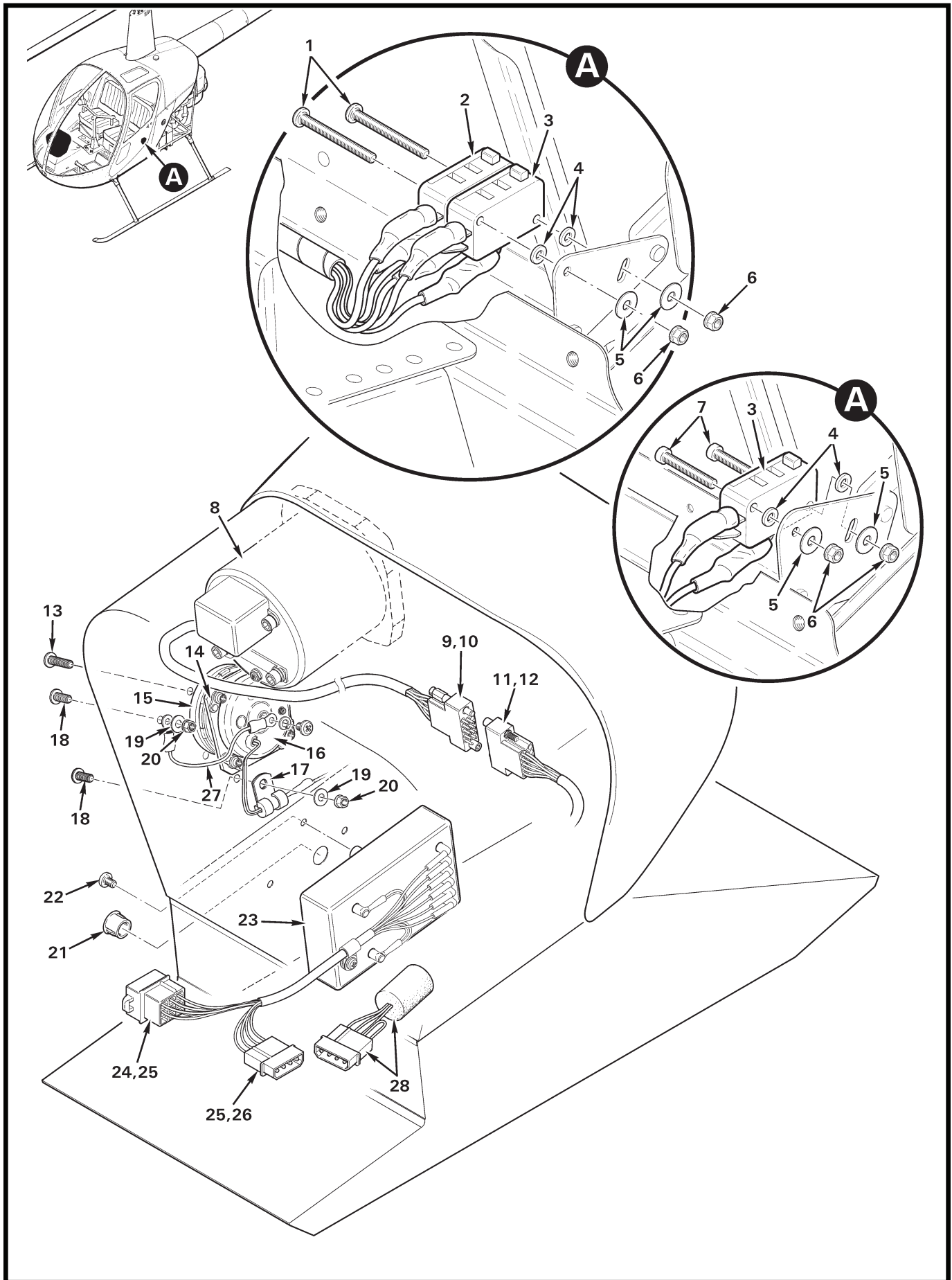


FIGURE AND INDEX NUMBER	PART NUMBER	DESCRIPTION	PARTS AVAIL	QTY PER ASSY
		TACHOMETER AND LOW RPM WARNING UNIT		
95-51-1	MS35206-324	Screw	X	2
2	V3-1	Switch – Micro (hourmeter)	X	1
3	V3-1	Switch – Micro (low RPM warning)	X	1
4	NAS620-4	Washer	X	2
5	NAS1149FN416P	Washer	X	2
6	MS21042L04	Nut	X	2
7	AN500-4-12	Screw	X	2
8	A792-2*	Dual Tachometer Assembly (Incl items 9 and 10)	O	1
9	201298-1	Block (tachometer side)	X	1
10	B264-1	Pin	X	9
11	201355-1	Connector (ship side)	X	1
12	B264-2	Socket	X	9
13	MS27039C0810	Screw	X	4
14	A479-1	Plate	X	1
15	A479-2	Ring	X	1
16	B320-5	Horn Assembly (Incl item 27)	X	1
17	MS21919WDG2	Clamp	X	1
18	MS27039C0806	Screw	X	2
19	NAS1149FN816P	Washer	X	2
20	MS21042L08	Nut	X	2
21	2633	Hole Plug	X	1
22	MS35206-241	Screw	X	3
23	A569-5**	Warning Unit – Low RPM (Incl items 24 thru 26)	X	1
24	B263-20	Housing	X	1
25	B263-1	Pin (used in items 24 and 26)	X	12
26	B263-16	Housing	X	1
27	B320-79	Wire (Ref; supplied with item 16)	O	1
28	B140-1***	Relay Assembly – Low RPM Horn (Ref)		
		* * *		
29	KI-69-7	Low RPM Warning Unit Conversion Kit (For ship S/N 0002 thru 2114. Replaces A569-1 warning unit and B140-1 relay. Includes items 22, 23, and 30 thru 33.)	X	1
30	B263-21	Plug (dummy)	X	1
31	KI-69-5	Plug	O	1
32	MS3367-5-9	Ty-Rap	X	1
33	KI-69-6	Template	O	1

NOTES * No longer available; order A792-2R (overhaul exchange) or A792-4.
 ** Ship S/N 2115 and subsequent.
 *** No longer available. To replace, order item 29.

FIGURE AND INDEX NUMBER	PART NUMBER	DESCRIPTION	PARTS AVAIL	QTY PER ASSY
PICTORIAL NAVIGATION SYSTEM (HSI)				
95-53-1	047-03937-0001 *	Plate	O	1
2	KI 525A * KI525AR	Pictorial Nav Indicator (Ref; order R9116 overhaul exchange) KI 525A HSI Indicator (overhaul exchange; includes items 1 and 3)	X	1
3	089-05115-0012 *	Screw	O	4
4	KX 165 *	VHF NAV/COM Transceiver	O	1
5	B641-XX	Face (ICS and OAT at top, -11 shown, specify dash no.)	X	A/R
6	089-6163-08 *	Screw	O	2
7	KA 51B *	Slaving Accessory (Incl item 6)	O	1
8	A444-11	Cover (Ref, see Figure 67-1)		
9	P102 *	Connector (Ref; 9-pin, on slaving accessory)		
10	KPN 0030-2421-00 *	Mating Connector (Ref; 9-socket, for compensator)		
11	KMT 112 *	Magnetic Azimuth Transmitter (Flux Gate; Ref, see Figure 97-19)		
12	—	Screw (short; included with item 13)	O	1
13	KA 51A *	Compensator Assembly (Ref; includes items 12 and 15)	O	1
14	MS21069L04	Nutplate	X	2
15	—	Screw (long; included with item 13)	O	1
16	P101 *	Connector (Ref; 5-pin, on compensator)		
17	KPN 0030-2423-00 *	Mating Connector (Ref; 5-socket, for compensator)		
18	A292-1	Keel Panel (Ref)		
19	A603-1	Gyro Cover Assembly (Incl item 21)	X	1
20	MS21069L08	Nutplate	X	4
21	A603-5	Decal	X	1
22	MS27039C0806	Screw	X	10
23	MS21042L08	Nut	X	6
24	NAS1149FN816P	Washer	X	6
25	KG 102A *	Directional Gyro	O	1
26	MS35206-228	Screw	X	8
27	A987-1	Bracket	X	1
28	NAS1149FN616P	Washer	X	8
29	MS21042L06	Nut	X	8
30	A983-4	Face (for KA 51B slaving accessory; earlier R22s)	X	A/R

NOTES * Bendix/King part no.

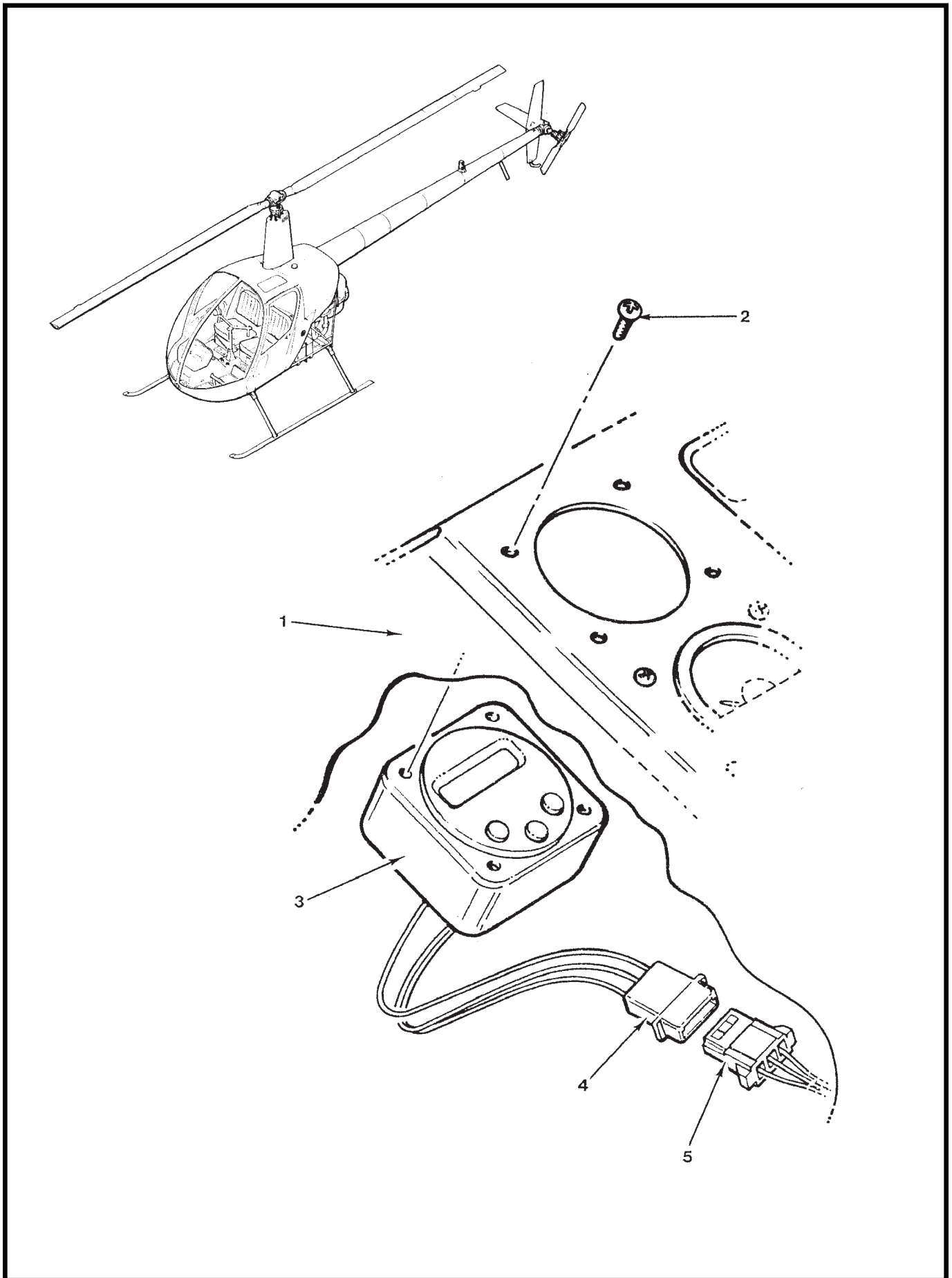


FIGURE AND INDEX NUMBER	PART NUMBER	DESCRIPTION	PARTS AVAIL	QTY PER ASSY
DIGITAL CLOCK INSTALLATION				
95-55-1	B050	Console Assembly (Ref)		
2	MS35206-228	Screw	X	4
3	A064-3	Chronometer Assembly (Incl items 4 and 6)	X	1
4	B263-14	Housing	X	1
	B263-1	Pin	X	3
5	B263-15	Housing	X	1
	B263-2	Socket	X	3
6	B196-5	Lamp (not shown)	X	1
NOTES				

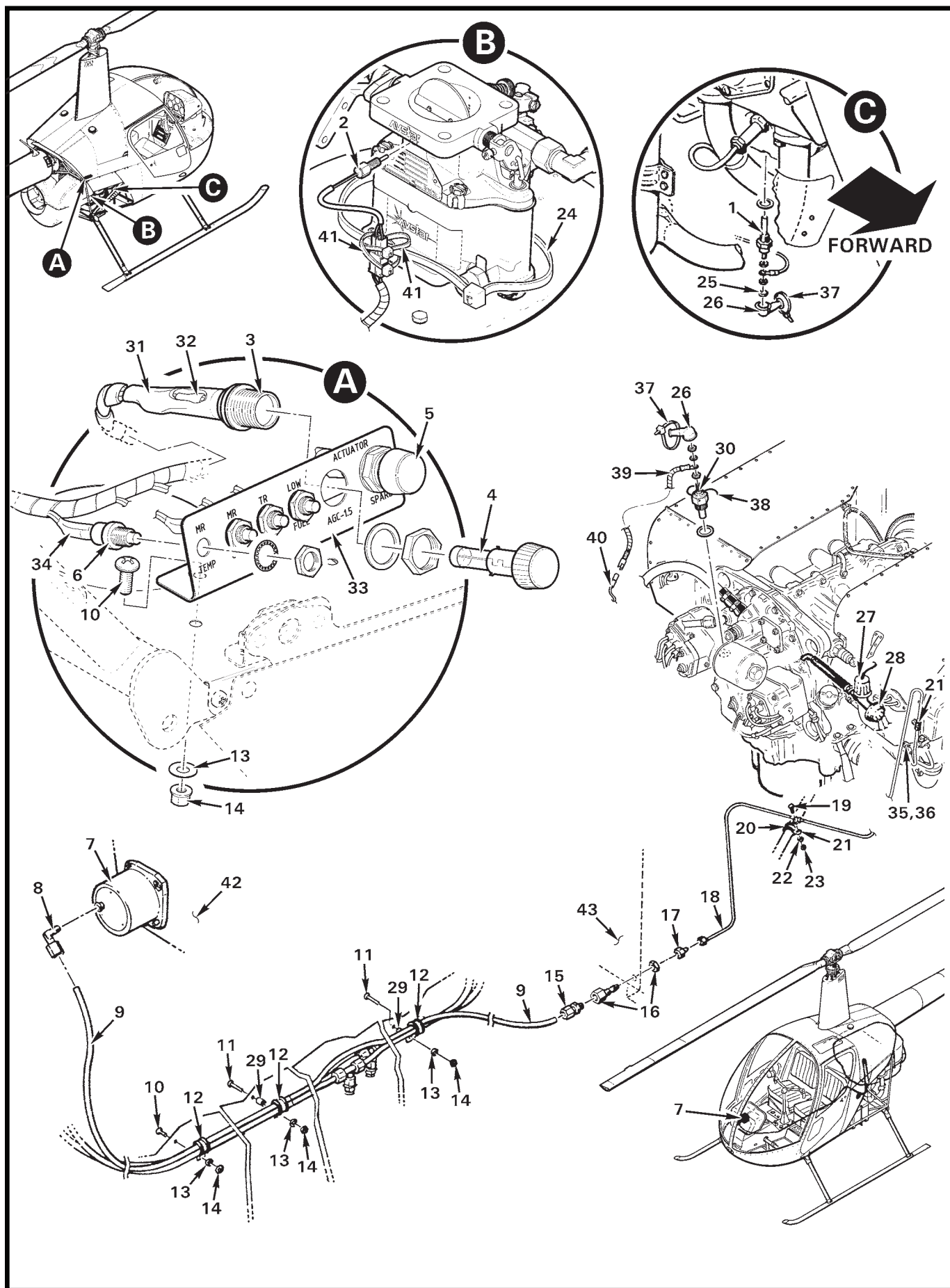


FIGURE AND INDEX NUMBER	PART NUMBER	DESCRIPTION	PARTS AVAIL	QTY PER ASSY
		ENGINE INSTRUMENT SENDERS AND TEST SWITCHES		
95-57-1	3080-38	Cylinder Head Temperature Probe (includes gasket; torque to 70-80 in-lb)	X	1
2	A058-5	Carburetor Air Temperature Probe Assembly (includes B5-SE probe, wires, heat shrink, and connector; see also Figure 71-5)	X	1
3	D262-11	Fuse Holder (actuator)	X	1
4	AGC-1-1/2-R	Fuse (actuator)	X	1
5	D262-11	Fuse Holder (spare)	X	1
	AGC-1-1/2-R	Fuse (spare, not shown)	X	1
6	B227-1	Switch Assembly (test; includes lockwasher and nut)	X	4
7	A600-1	Manifold Pressure Gage (ship S/N 0002 thru 0199 except 0175)	X	1
	A600-2	Manifold Pressure Gage (ship S/N 0175 & 0200 thru 0500) . .	X	1
	A600-3	Manifold Pressure Gage (ship S/N 0501 thru 2570)	X	1
	A600-5	Manifold Pressure Gage (ship S/N 2571 and subsequent)	X	1
8	40-4-2-N-0	Elbow	X	1
9	A729-6	Tube	X	1
10	MS27039C0806	Screw	X	1
11	MS27039C0812	Screw	X	2
12	MS21919WDG8	Clamp	X	3
13	NAS1149FN816P	Washer	X	3
14	MS21042L08	Nut	X	3
15	10-4-2-N-0	Connector	X	1
16	0253-2-4	Bulkhead Adapter	X	1
17	AN894D4-3	Bushing	X	1
18	A740-1	Manifold Pressure Line (engine-to-firewall)	X	1
19	AN3-3A	Bolt	X	1
20	MS21919WDG10	Clamp	X	1
21	MS21919WDG3	Clamp	X	1
22	NAS1149F0332P	Washer	X	1
23	D210-3	Nut	X	1
24	MS3367-6-0	Ty-Rap	X	1
25	B330-2	Palnut	X	1
26	MS25171-1S	Nipple (earlier R22s)	X	2
27	B308-1	Oil Pressure Sender (see also Figure 79-1)	X	1
28	B426-1	Oil Pressure Switch (see also Figure 79-1)	X	1

NOTES

Continues

FIGURE AND INDEX NUMBER	PART NUMBER	DESCRIPTION	PARTS AVAIL	QTY PER ASSY
ENGINE INSTRUMENT SENDERS AND TEST SWITCHES (Cont'd)				
95-57-29	A130-25	Spacer	X	2
30	A760-1	Oil Temperature Sender (includes gasket)	X	1
31	B158-6	Heat Shrink (around fuse holder)	X	A/R
32	B158-3	Heat Shrink (around wires)	X	A/R
33	A938-2	Mount	X	1
34	B158-2	Heat Shrink	X	A/R
35	AN816-3D	Nipple (install using item 36)	X	1
36	B270-6	Sealant (4-oz tube)	X	A/R
37	MS3367-4-9	Ty-Rap (earlier R22s)	X	2
38	MS20995C32	0.032-inch dia Safety Wire	X	A/R
39	C049-8	Harness Assembly	X	1
40	A859	Harness Assembly (Ref)		
41	MS3367-4-9	Ty-Rap	X	2
42	B197	Instrument Face (Ref)		
	G055	Instrument Face (Ref)		
43	A233	Firewall (Ref)		

NOTES

Intentionally Blank

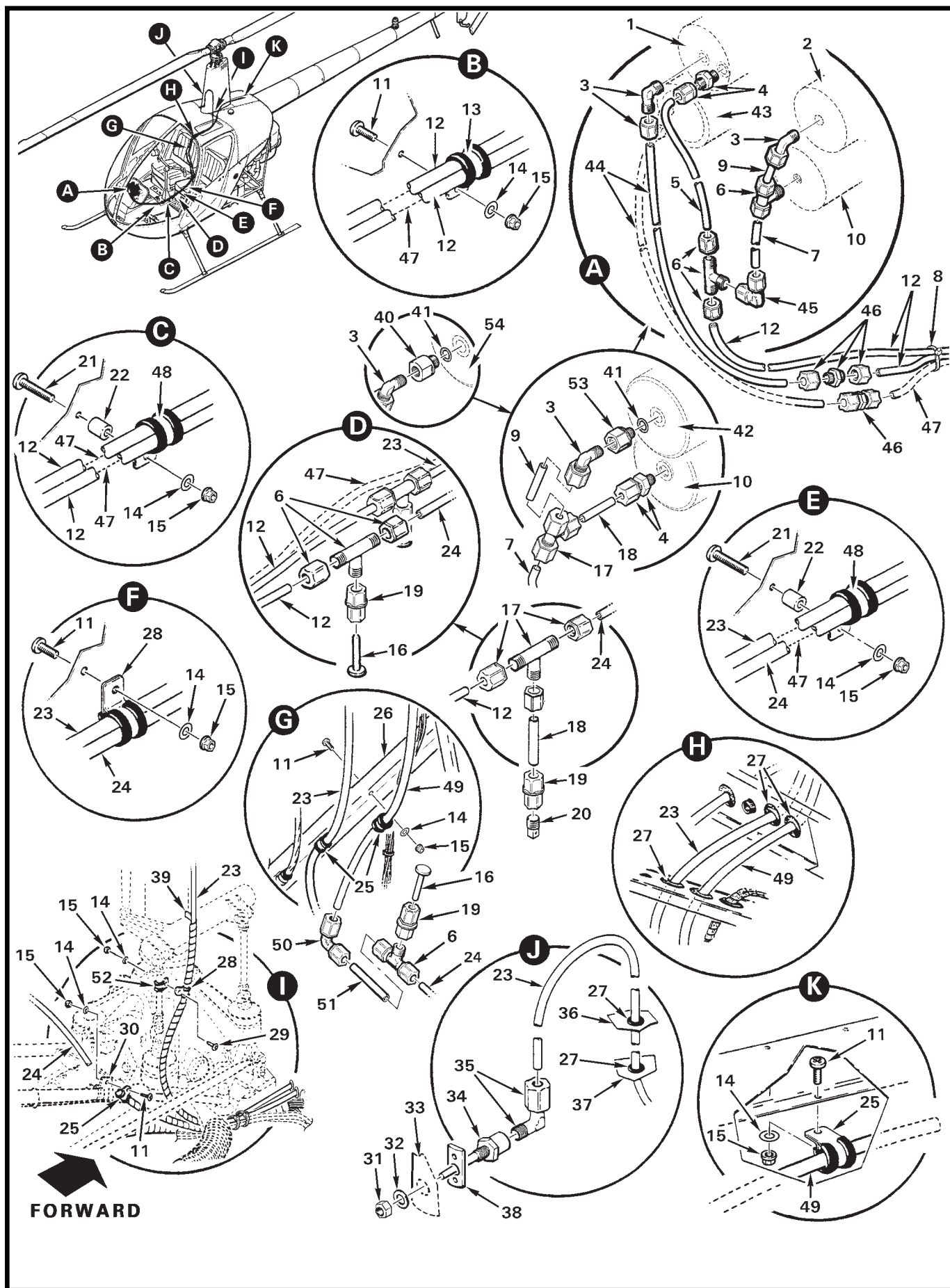


FIGURE AND INDEX NUMBER	PART NUMBER	DESCRIPTION	PARTS AVAIL	QTY PER ASSY
PITOT/STATIC LINES INSTALLATION				
95-61-1	A599-1 *	Airspeed Indicator (Ref)		
2	A602-1 *	Rate-of-Climb Indicator (Ref)		
3	40-4-2-N-0	Elbow	X	2
4	10-4-2-N-0	Fitting	X	1
5	A729-23	Tube	X	1
6	60-4-2-N-0	Tee Fitting	X	3
7	A729-25	Tube	X	1
8	MS3367-5-9	Ty-Rap	X	A/R
9	A729-26	Tube	X	1
10	A613-1 *	Altimeter – In. Hg (Ref)		
	A613-2 *	Altimeter – Millibar (Ref, optional)		
11	MS27039C0806	Screw	X	6
12	A729-24	Tube	X	2
13	TA04111SC0304CR	Clamp	X	1
14	NAS1149FN816P	Washer	X	A/R
15	MS21042L08	Nut	X	8
16	PI0808S	Drain Plug	X	3
17	70-4-N-0	Tee Fitting	X	2
18	A729-27	Tube	X	A/R
19	25-4-2-N-0	Fitting	X	3
20	MS20913-1D**	Drain Plug (pitot and static; Ref)		
21	MS27039C0811	Screw	X	2
22	A130-25	Spacer	X	2
23	A729-28	Tube (pitot)	X	1
24	A729-22	Tube (static)	X	1
25	MS21919WDG4	Clamp	X	4
26	A384-3	Stiffener (Ref)		
27	MS35489-6	Grommet	X	6
28	MS21919WDG7	Clamp	X	2
29	MS27039C0807	Screw	X	1
30	MS21919WDG14	Clamp (if equipped)	X	1
31	MS21083-N5	Nut	X	1
32	NAS1149D0516J	Washer	X	1
33	A261-2	Skin (Ref)		
34	A262-1	Fitting – Pitot	X	1

NOTES * See also Figure 95-25.
 ** Installed on earlier R22s at this location. No longer available. To replace order items 6, 16 and 19.

Continues

FIGURE AND INDEX NUMBER	PART NUMBER	DESCRIPTION	PARTS AVAIL	QTY PER ASSY
PITOT/STATIC LINES INSTALLATION (Cont'd)				
95-61-35	A596-1	Elbow Assembly (includes nut)	X	1
36	A665-1	Restraint (Ref)		
37	A261-4	Rib (Ref)		
38	A246-3	Spacer	X	1
39	B161-4	Spirap	X	A/R
40	A763-1	Adapter (used with item 54 only)	X	1
41	MS28778-6	Packing (o-ring; used with items 42 and 54 only)	X	1
42	A602-2*	Rate-of-Climb Indicator (Ref; IVSI, revision "E" and subsequent)	X	1
43	A600	Manifold Pressure Gage (Ref, see Figure 95-57)		
44	A729-21	Tube	X	2
45	45-4-2-N-0	Elbow	X	1
46	15-4-N-0	Union	X	2
47	A729-6	Tube (manifold pressure line; Ref, see Figure 95-57)		
48	MS21919WDG8	Clamp	X	2
49	A729-6	Tube (static)	X	1
50	50-4-N-0	Elbow	X	1
51	A729-30	Tube	X	1
52	MS21919WDG10	Clamp (around strut)	X	1
53	25-4-2-N-0	Fitting (compression nut not used at this location)	X	1
54	A602-2*	Rate-of-Climb Indicator (Ref; IVSI, revision "D" and prior. Install using item 40.)		

NOTES * Optional.

Intentionally Blank

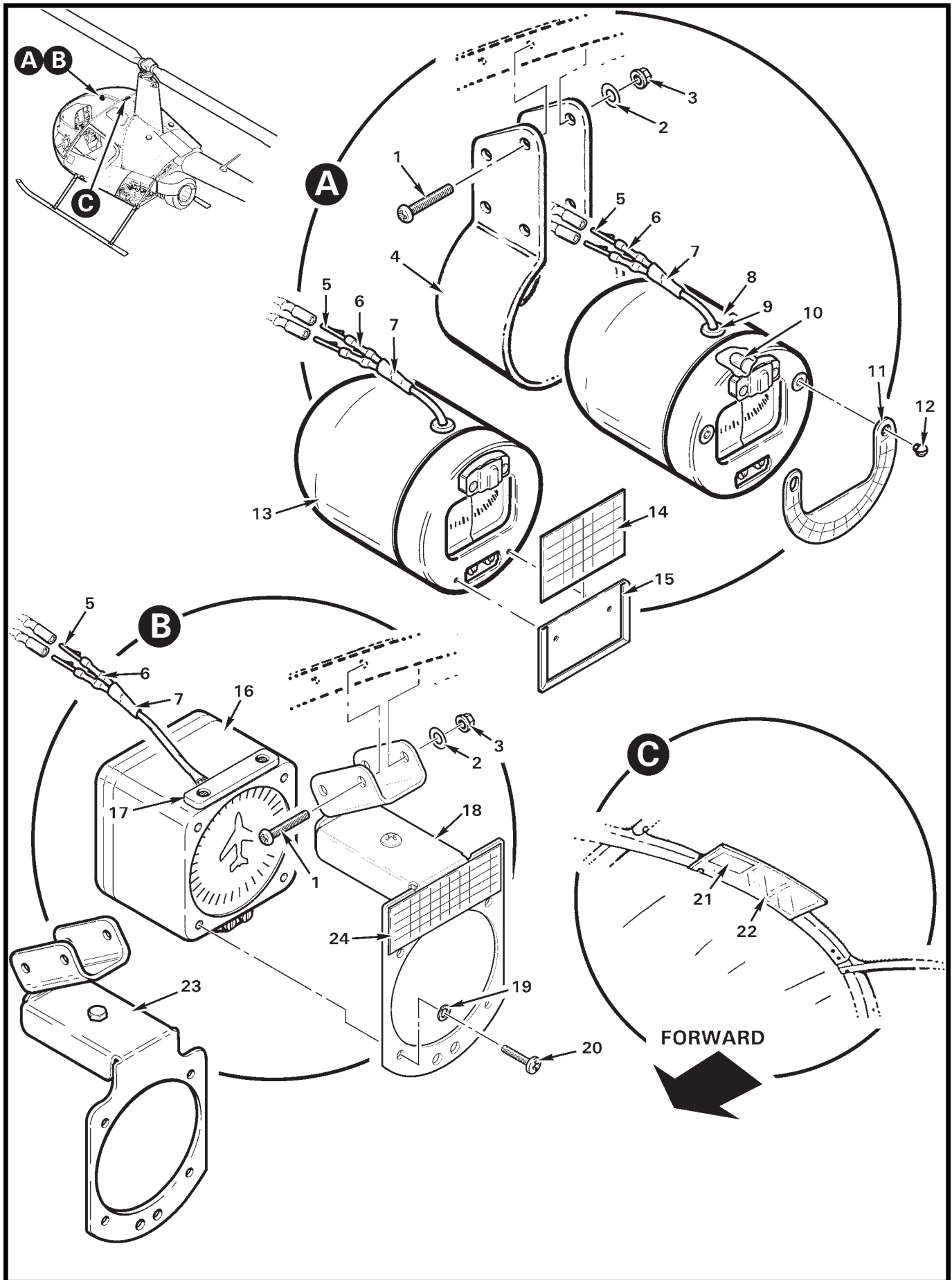


FIGURE AND INDEX NUMBER	PART NUMBER	DESCRIPTION	PARTS AVAIL	QTY PER ASSY
COMPASS INSTALLATION				
95-65-1	MS35214-47	Screw	X	4
2	NAS1149DN816P	Washer	X	4
3	NAS1291C08M	Nut	X	4
4	A685-1	Mount – Compass	X	1
5	B263-1	Pin	X	2
6	B158-2	Heat Shrink (0.125 in. dia., black)	X	A/R
7	B158-3	Heat Shrink (0.187 in. dia., black)	X	A/R
8	A022-3	Compass Assembly (Incl items 5 thru 7, and 9 thru 12)	X	1
9	MS35489-4	Grommet	X	1
10	B196-1	Lamp	X	1
11	C24-809*	Deviation Plate (Ref)		
12	—	Screw	O	2
13	A022	Compass Assembly (Ref, no longer available. Superseded by item 8. For earlier R22s with items 14 and 15 installed.)		
14	C23-807	Deviation Card	X	1
15	C23-805M	Mount – Deviation Card	X	1
16	B148-2**	Compass Assembly – Vertical Card (Incl items 5 thru 7, 17 and 20)	X	1
17	—	Light Bar (Ref)	O	1
18	B339-1	Mount – Vertical Card Compass (revision B and subsequent) . .	X	1
19	MS35338-136B	Lockwasher	X	4
20	—	Screw	O	4
21	PAI-DE-CARD	Deviation Placard (vertical card compass)	X	1
22	A725-3	Mount (Ref, see Figure 11-1)		
23	B339-1	Mount – Vertical Card Compass (revision A)	O	1
24	D682-43	Decal – Deviation Card	X	1

NOTES * Airpath Instrument Co. part no.
 ** Optional.

Intentionally Blank