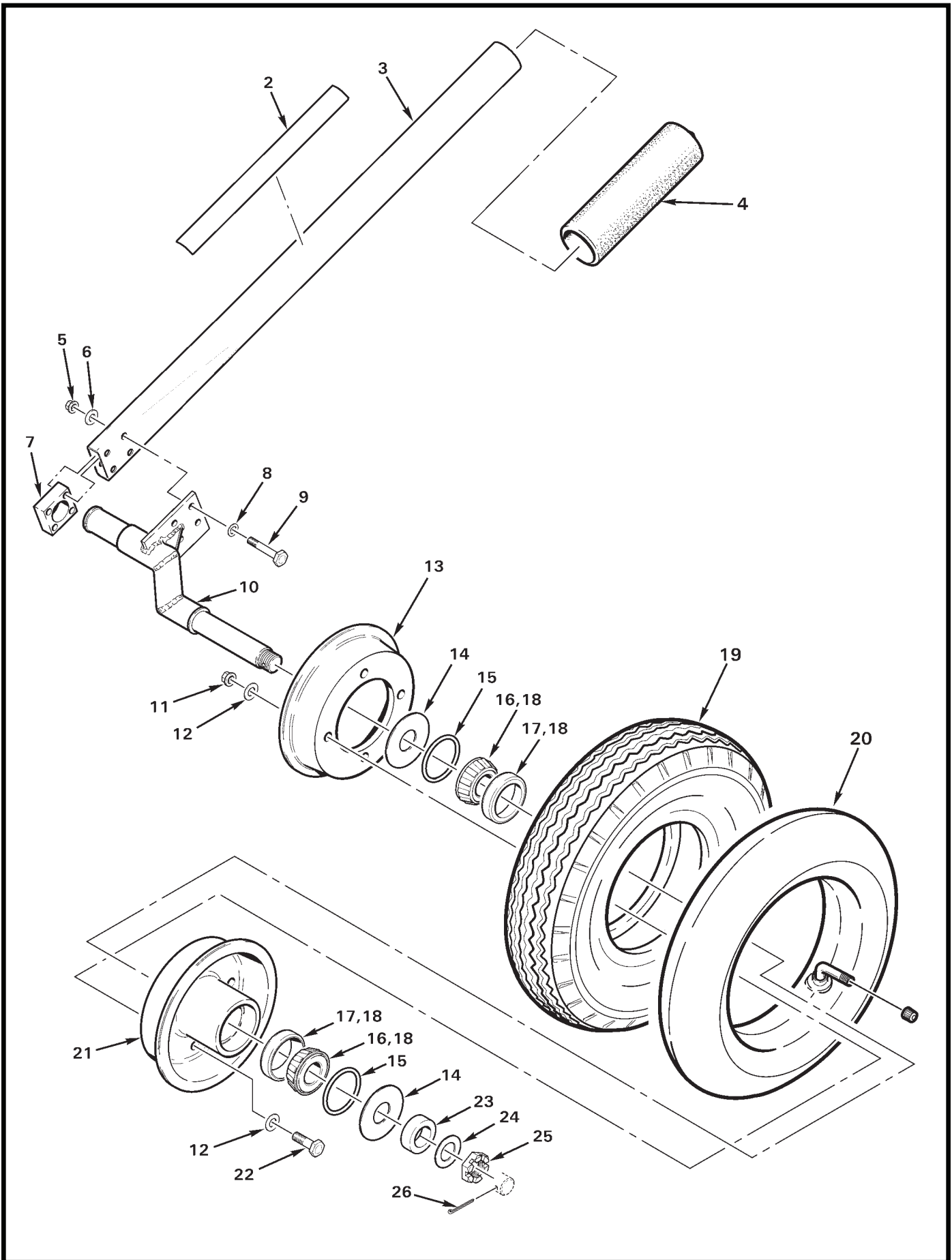


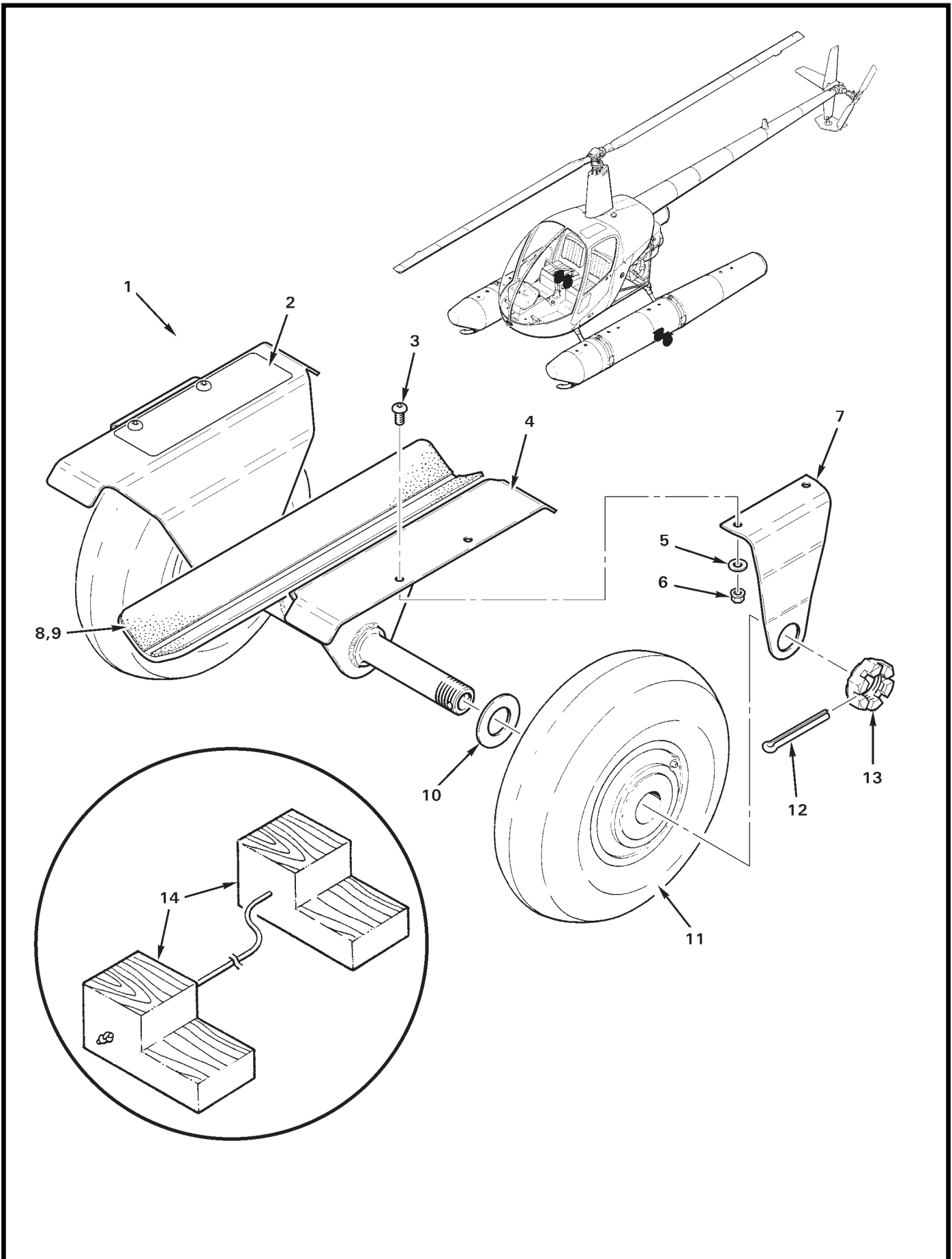
CHAPTER 9  
GROUND HANDLING

| <i>Figure</i> | <i>Title</i>  | <i>Page</i> |
|---------------|---|-------------|
| 9-1           | Ground Handling Wheel Assembly . . . . .                | 9.0         |
| 9-3           | Ground Handling Wheel Assembly – Fixed Floats . . . . . | 9.2         |
| 9-5           | Ground Handling Ball Installation . . . . .             | 9.4         |



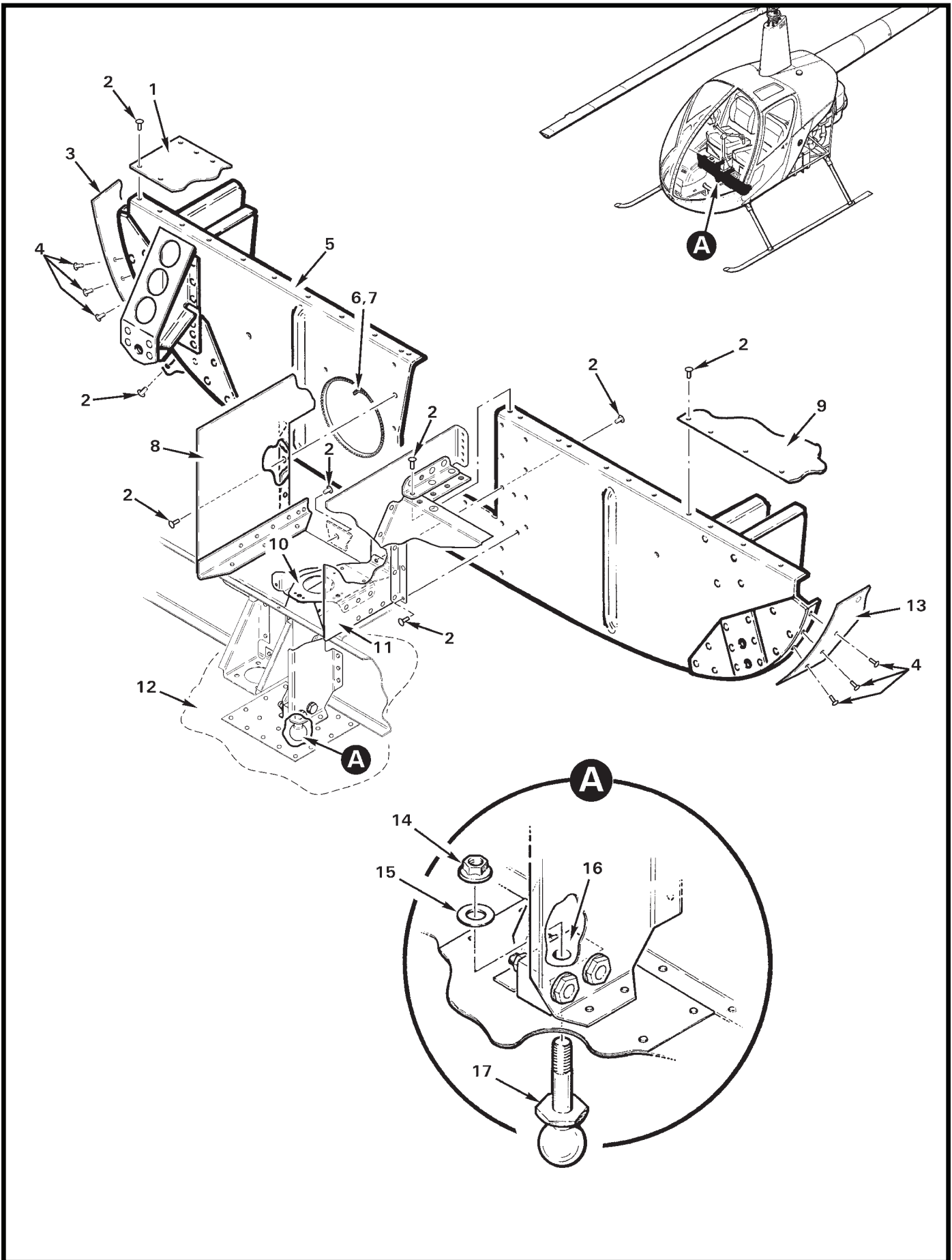
| FIGURE AND INDEX NUMBER               | PART NUMBER   | DESCRIPTION  | PARTS AVAIL | QTY PER ASSY |
|---------------------------------------|---------------|--|-------------|--------------|
| <b>GROUND HANDLING WHEEL ASSEMBLY</b> |               |  |             |              |
| 9-1-1                                 | A063-1        | Ground Handling Wheel Assembly (Incl items 3, and 5 thru 26)                             | X           | 1            |
| 2                                     | A654-81       | Decal (wheel installation instructions) . . . . .  | X           | 1            |
| 3                                     | A718-2        | Lever Assembly (Incl items 2 and 4) . . . . .  | X           | 1            |
| 4                                     | A601-5        | Grip . . . . .   | X           | 1            |
| 5                                     | MS21042L3     | Nut . . . . .  | X           | 4            |
| 6                                     | NAS1149F0363P | Washer . . . . .   | X           | 4            |
| 7                                     | A915-2        | Spacer Block . . . . .   | X           | 1            |
| 8                                     | NAS620-10L    | Washer . . . . .   | X           | 4            |
| 9                                     | NAS6603-9     | Bolt . . . . .   | X           | 4            |
| 10                                    | A717-10       | Shaft Assembly . . . . .   | X           | 1            |
|                                       | A717-9        | Shaft Assembly (Ref; no longer available, not shown) . . . . .                           | O           | 1            |
| 11                                    | MS21042L4     | Nut . . . . .  | X           | 4            |
| 12                                    | NAS1149F0432P | Washer . . . . .   | X           | 4            |
| 13                                    | MT947-2*      | Rim . . . . .  | X           | 4            |
| 14                                    | A214-12       | Washer (use [1] on nut side with A717-10 assembly) . . . . .                             | X           | A/R          |
|                                       | MT141-3       | Washer (use [2] with A717-9 assembly, [1] with A717-10 assembly on lever side) . . . . . | X           | A/R          |
| 15                                    | A215-123      | O-Ring . . . . .   | X           | 2            |
| 16                                    | C646-9**      | Cone . . . . .   | X           | 2            |
| 17                                    | C646-10**     | Cup (contact RHC Customer Service for replacement) . . . . .                             | O           | 2            |
| 18                                    | A257-5        | Grease . . . . .   | X           | A/R          |
| 19                                    | MT936-7       | Tire . . . . .   | X           | 1            |
| 20                                    | MT936-8       | Tube – Inner . . . . .   | X           | 1            |
| 21                                    | MT947-1*      | Rim . . . . .  | X           | 1            |
| 22                                    | NAS6604-6     | Bolt . . . . .   | X           | 4            |
| 23                                    | MT920-15      | Spacer (used only with A717-9 shaft assembly) . . . . .                                  | X           | A/R          |
| 24                                    | NAS1149F0832P | Washer (shim) . . . . .  | X           | A/R          |
| 25                                    | AN320-8       | Nut . . . . .  | X           | 1            |
| 26                                    | MS24665-285   | Cotter Pin . . . . .   | X           | 1            |

NOTES \* Rim assembly will fit earlier shaft assembly.  
 \*\* Install using item 18.



| FIGURE AND INDEX NUMBER                              | PART NUMBER   | DESCRIPTION   | PARTS AVAIL | QTY PER ASSY |
|--|---------------|---|-------------|--------------|
| <b>GROUND HANDLING WHEEL ASSEMBLY – FIXED FLOATS</b> |               |   |             |              |
| 9-3-1  | B132-1*       | Float Ground Handling Wheel Assembly (Incl items 2 thru 13) . . | X           | 1            |
| 2  | MT935-11      | Decal (wheel installation instructions) . . . . .               | X           | 1            |
| 3  | A142-2        | Screw . . . . .   | X           | 4            |
| 4  | B131-1        | Frame Weldment . . . . .  | O           | 1            |
| 5  | NAS1149FN816P | Washer . . . . .  | X           | 4            |
| 6  | MS21042L08    | Nut . . . . .   | X           | 4            |
| 7  | B294-2        | Support . . . . .   | X           | 1            |
| 8  | B132-3        | Strip (install using item 9) . . . . .                          | X           | 2            |
| 9  | B270-7        | Adhesive (substitute B270-8qt) . . . . .                        | O           | A/R          |
| 10   | NAS1149F1032P | Washer . . . . .  | X           | 2            |
| 11   | B132-2        | Wheel . . . . .   | X           | 2            |
| 12   | MS24665-355   | Cotter Pin . . . . .  | X           | 2            |
| 13   | AN320-10      | Nut . . . . .   | X           | 2            |
| 14   | B133-1*       | Block Assembly . . . . .  | X           | 1            |

NOTES \* Usable on Mariner.



| FIGURE AND INDEX NUMBER                  | PART NUMBER   | DESCRIPTION  | PARTS AVAIL | QTY PER ASSY |
|--|---------------|--|-------------|--------------|
| <b>GROUND HANDLING BALL INSTALLATION</b> |               |  |             |              |
| 9-5-1                                    | A304-2 or -4* | Cap (RH, Ref)  |             |              |
| 2  | MS20470AD4    | Rivet . . . . .  | X           | A/R          |
| 3  | A015-4*       | Skin (RH, Ref)   |             |              |
| 4  | MS20426AD3    | Rivet . . . . .  | X           | A/R          |
| 5  | A294-1        | Frame Assembly – Skid Mount (Ref)                        |             |              |
| 6  | MS21266-1N    | Grommet (12-inch length; install using item 7) . . . . . | X           | A/R          |
| 7  | B270-8qt      | Adhesive . . . . .                                       | X           | A/R          |
| 8  | A293-2        | Panel (RH, Ref)  |             |              |
| 9  | A304-1*       | Cap (LH, Ref)  |             |              |
| 10                                       | A500-1        | Support Assembly (Ref, cyclic friction assembly)         |             |              |
| 11                                       | A293-1        | Panel (LH, Ref)  |             |              |
| 12                                       | A272-1        | Chin (Ref, fiberglass)                                   |             |              |
| 13                                       | A015-3*       | Skin (LH, Ref)   |             |              |
| 14                                       | MS21042L5     | Nut . . . . .  | X           | 1            |
| 15                                       | NAS1149F0532P | Washer . . . . .   | X           | 1            |
| 16                                       | C700-1        | Block (Ref)  |             |              |
| 17                                       | C700-7**      | Ball – Ground Handling . . . . .                         | X           | 1            |

NOTES \* See also Figure 25-7.  
 \*\* Ship S/N 2510 and subsequent.

Intentionally Blank