

CHAPTER 28**FUEL SYSTEM**

<i>Figure</i>	<i>Title</i>	<i>Page</i>
28-1	Fuel Tank Assembly Installation	28.0
28-5	Main Tank Assembly	28.4
28-7	Main Tank Assembly	28.6
28-9	Auxiliary Tank Assembly	28.8
28-13	Fuel System Components	28.12
28-17	Vent Lines Installation	28.16
28-19	Primer System	28.18
28-23	Fuel System Installation (All-Aluminum Tanks)	28.22
28-27	Auxiliary Tank Assembly (All-Aluminum Tanks)	28.26

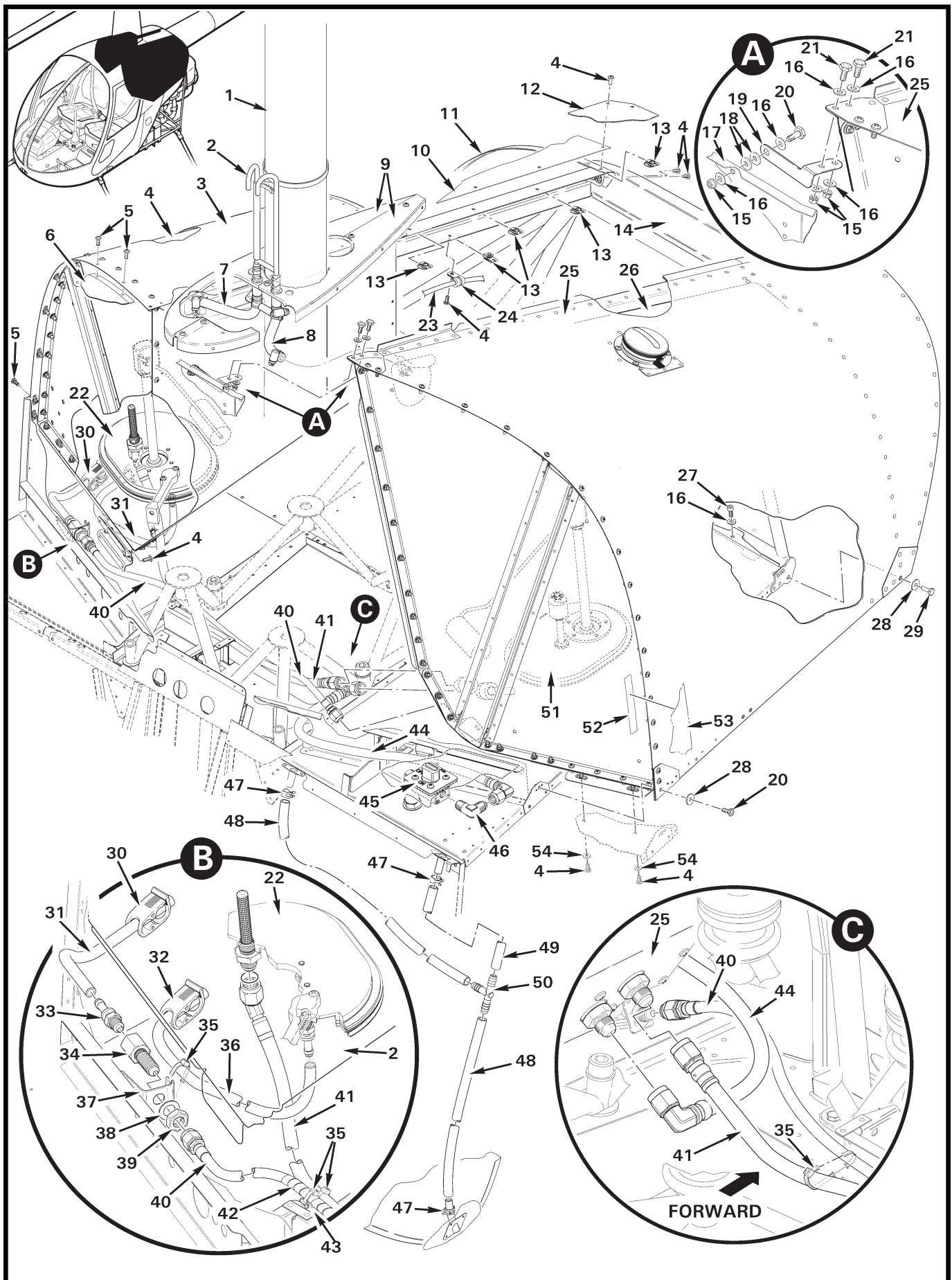


FIGURE AND INDEX NUMBER	PART NUMBER	DESCRIPTION	PARTS AVAIL	QTY PER ASSY
FUEL TANK ASSEMBLY INSTALLATION				
28-1-1	A283-5	Mast Assembly (Ref)		
2	A731-10	Vent Tube Assembly (Ref, see Figure 28-17)		
3	A010-15	Tank – Auxiliary (Ref, see Figure 28-9)		
4	B028-2	Bladder (Ref, see Figure 28-9)		
5	MS27039C0806	Screw	X	14
6	A015	Cabin Assembly (Ref)		
7	A729-48	Tube (Ref, see Figure 28-17)		
8	A729-62	Tube (Ref, see Figure 28-17)		
9	A261	Rib (Ref, see Figure 28-17)		
10	B430-4	Skin (Ref)		
11	B429-5	Frame (Ref)		
12	B429-1	Skin (Ref)		
13	B162-3	Clipnut	X	5
14	B428-1	Frame (Ref)		
15	D210-3	Nut	X	3
16	NAS1149F0332P	Washer	X	7
17	—	Bulkhead (Ref)		
18	NAS1149F0363P	Washer (between items 17 and 19)	X	2
19	A713-1	Strap	X	1
20	NAS6603-3	Bolt	X	1
21	NAS6603-2	Bolt	X	2
22	D250-8	Cover Assembly (Ref, see Figure 28-9)		
23	A729-6	Tube – Static Pressure (Ref, see Figure 95-61)		
24	MS21919WDG4	Clamp	X	1
25	A028-21	Tank Assembly – Main (Ref, see Figure 28-5)		
26	B028-1	Bladder (Ref, see Figure 28-5)		
27	NAS1351-3-8P	Screw	X	1
28	A141-17	Washer	X	2
29	NAS6603-4	Bolt	X	1
30	D663-1	Clamp	X	1
31	A729-17	Tube	X	1
32	D663-1	Clamp (Ref)		
33	A761-1	Drain	X	1
34	D255-4	Connector	X	1
35	MS3367-5-9	Ty-Rap	X	4

NOTES

Continues

FIGURE AND INDEX NUMBER	PART NUMBER	DESCRIPTION	PARTS AVAIL	QTY PER ASSY
FUEL TANK ASSEMBLY INSTALLATION (Cont'd)				
28-1-36	A729-60	Tube (Ref, see Figure 28-9)		
37	B576-5	Angle (Ref)		
38	NAS1149F0732P	Washer	X	1
39	A880-1004*	Nut	X	1
40	D205-34	Hose Assembly	X	1
41	D205-33	Hose Assembly	X	1
42	B161-8	Spirap	X	A/R
43	B580-3	Support (Ref)		
44	D205-32	Hose Assembly	X	1
45	A670-1	Valve – Fuel Shut-Off (Ref, see Figure 28-13)		
46	A880-636 or -666*	Elbow (Ref, see Figure 28-13)		
47	D277-8	Clamp	X	3
48	A729-3	Tube	X	2
49	A729-2	Tube	X	1
50	A457-1	Tee	X	1
51	D250-6	Cover Assembly (Ref, see Figure 28-7)		
52	A701-3	Tape (polyethylene)	X	A/R
53	A015-9	Skin (Ref)		
54	NAS1149FN832P	Washer	X	2

NOTES * See *Introduction* for allowable part numbers.

Intentionally Blank

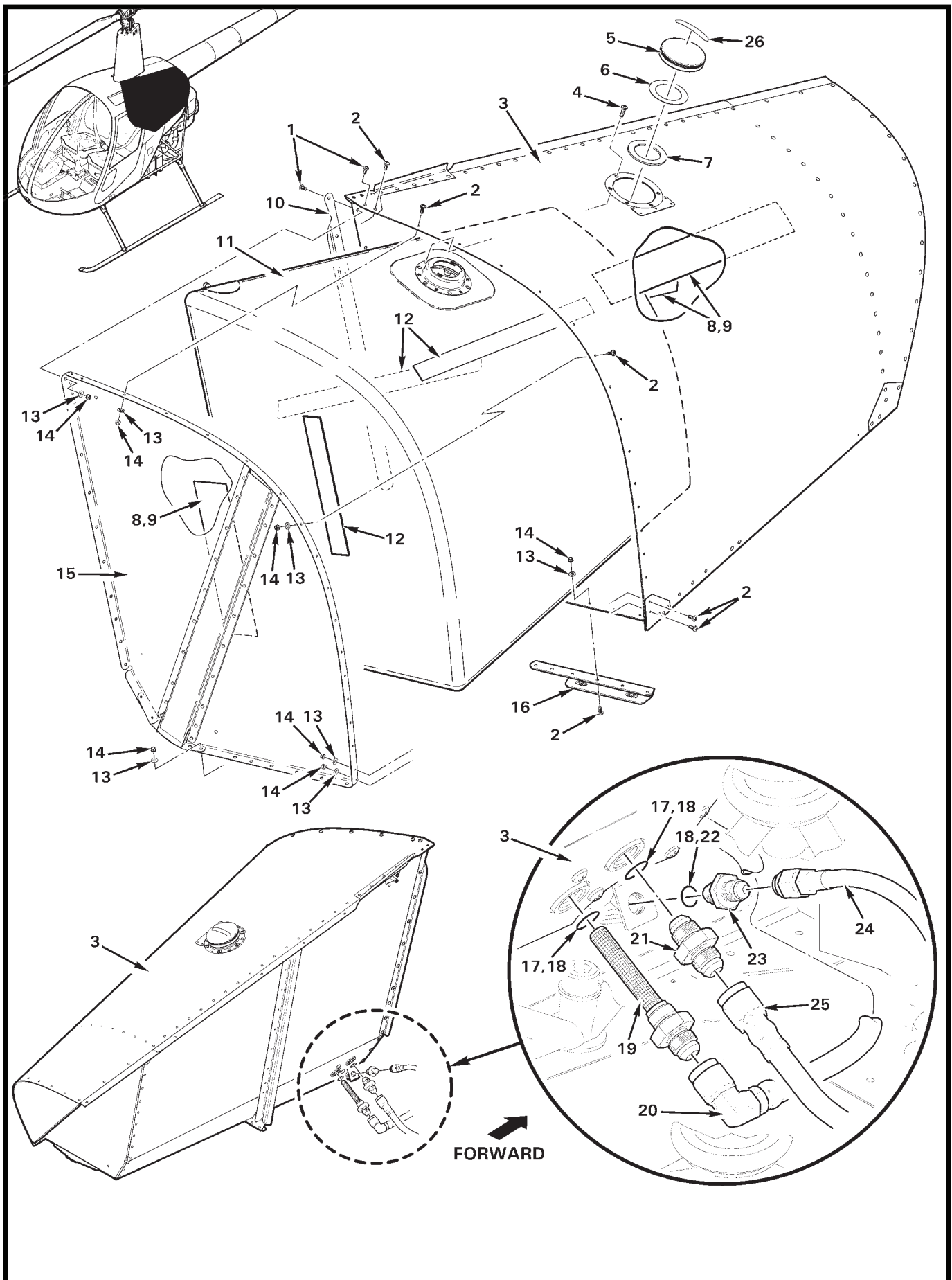


FIGURE AND INDEX NUMBER	PART NUMBER	DESCRIPTION	PARTS AVAIL	QTY PER ASSY
MAIN TANK ASSEMBLY				
28-5-1	MS27039C0805	Screw	X	2
2	MS27039C0806	Screw	X	37
3	A028-21	Main Tank Assembly (Incl items 1, 2, 8 thru 10, and 13 thru 16)	X	1
4	A142-1	Screw	X	6
5	A689-6*	Cap Assembly (primered; includes items 6 and 7. Order item 26 as required.)	X	1
	A689-6.PT*	Cap Assembly (painted white; includes items 6, 7, and 26) . .	X	1
6	A689-8	Washer	X	1
7	A689-7	Gasket	X	1
8	B175-4	Loop Tape (install using item 9)	X	A/R
9	B270-8qt	Adhesive	X	A/R
10	B575-5	Stiffener	X	1
11	B028-1	Bladder – Fuel (Incl item 12)	X	1
12	B175-1	Hook Tape (Ref)		
13	NAS1149FN816P	Washer	X	39
14	MS21042L08	Nut	X	39
15	B578-1	Bulkhead (Ref)		
16	B575-4	Channel	X	1
17	MS29512-06	Packing (o-ring, install using item 18)	X	2
18	A257-6	Grease	X	A/R
19	B254-3	Strainer Assembly	X	1
20	D205-32	Hose Assembly (Ref)		
21	A880-936 or -966**	Union	X	1
22	MS29512-04	Packing (o-ring, install using item 18)	X	1
23	A880-934 or -964**	Union	X	1
24	D205-34	Hose Assembly (Ref)		
25	D205-33	Hose Assembly (Ref)		
26	D682-44	Decal – "Caution: Align Stripes"	X	1

NOTES * Revision J or subsequent. Refer to MM § 12.130.
 ** See *Introduction* for allowable part numbers.

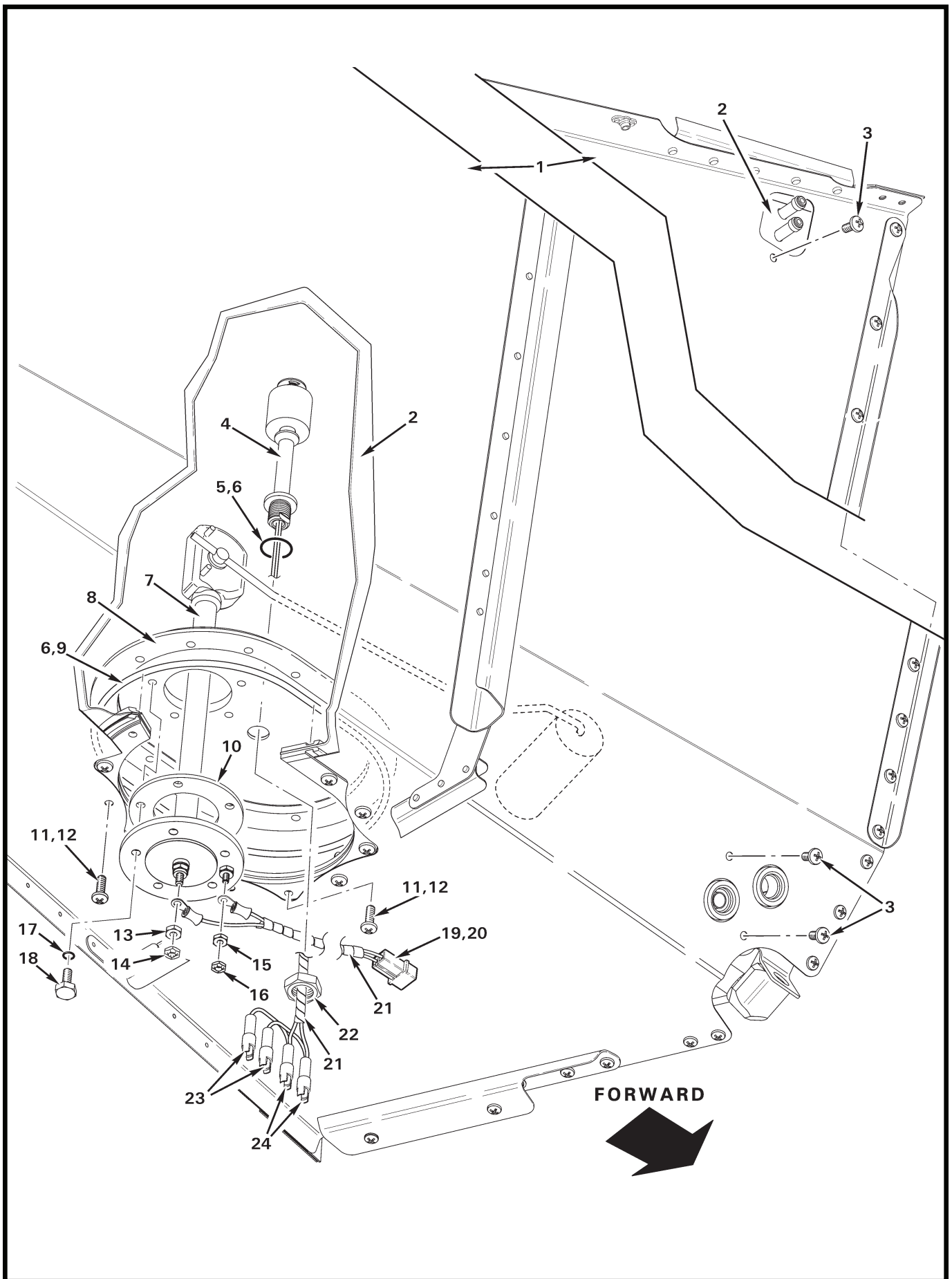


FIGURE AND INDEX NUMBER	PART NUMBER	DESCRIPTION	PARTS AVAIL	QTY PER ASSY
MAIN TANK ASSEMBLY				
28-7-1	A028-1	Main Fuel Tank Assembly (Ref)		
2	B028-1	Bladder – Fuel (Ref)		
3	MS27039C1-06	Screw	X	3
4	A521-3	Switch Assembly – Low-Fuel (Incl items 23 and 24)	X	1
5	MS29512-05	Packing (o-ring; install using item 6)	X	1
6	A257-6	Grease	X	A/R
7	D252-3	Sender – Fuel Quantity (Incl items 10, 13, and 15)	X	1
8	D250-6	Cover Assembly	X	1
9	MS29513-260	Packing (o-ring; install using item 6)	X	1
10	0015-00423	Gasket (alternate part no. 15-423)	X	1
11	MS27039C1-09	Screw (install using item 12)	X	14
12	A257-9	Lubricant (anti-seize)	X	A/R
13	0044-00408	Nut (Ref)		
14	B330-6	Palnut	X	1
15	44-121	Nut (Ref)		
16	B330-5	Palnut	X	1
17	5-108	O-ring (5-108 N674-70, Parker P/N)	X	1
18	B289-1	Bolt (Incl item 17)	X	5
19	C049-11	Harness Assembly (Incl items 20 and 21)	X	1
20	B263-12	Housing	X	1
	B263-1	Pin	X	2
21	B161-2	Spirap	X	A/R
22	A880-1005*	Nut (apply B270-1 sealant under nut)	X	1
23	B263-30	Housing	X	2
	B263-1	Pin	X	2
24	B263-10	Housing	X	2
	B263-3	Pin	X	2

NOTES * See *Introduction* for allowable part numbers.

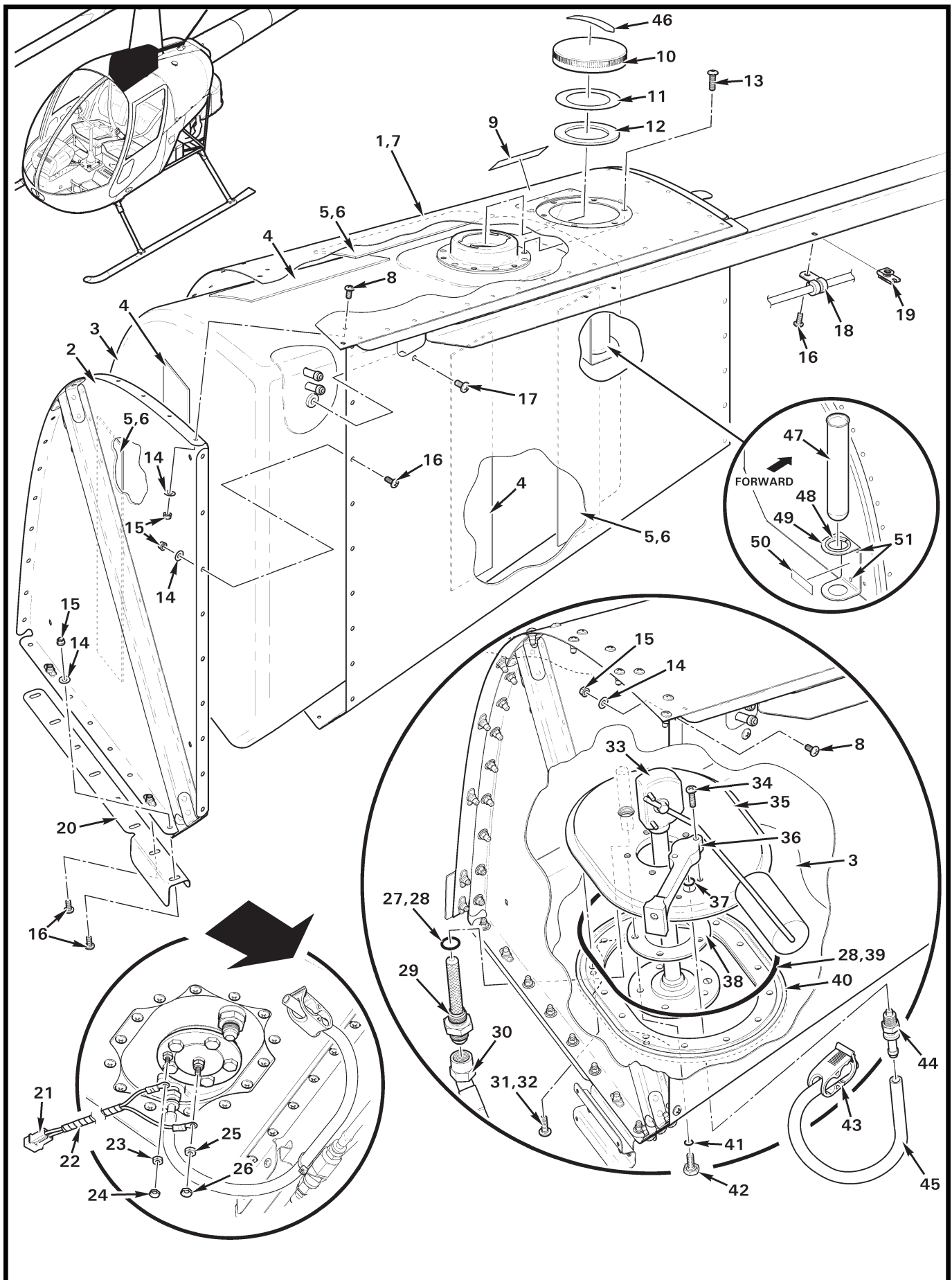


FIGURE AND INDEX NUMBER	PART NUMBER	DESCRIPTION	PARTS AVAIL	QTY PER ASSY
AUXILIARY TANK ASSEMBLY				
28-9-1	A010-15	Aux Fuel Tank Assembly (Incl items 3, 7, 9 thru 13, 18, 19, 21, 24, 26 thru 29, and 42 thru 45)	X	1
2	B579-1	Bulkhead Assembly	X	1
3	B028-2	Bladder Assembly (Incl items 4 and 40)	X	1
4	B175-1	Hook Tape (Ref)		
5	B175-4	Loop Tape (install using item 6)	X	A/R
6	B270-8qt	Adhesive	X	A/R
7	B044-8	Tank Assembly (aluminum enclosure; includes items 2, 5, 6, 8, 14 thru 16, and 20)	X	1
8	MS27039C0805	Screw	X	2
9	A654-57	Decal – Fuel Fill (91/96 octane; aux fuel tank)	X	1
	A654-77*	Decal – Fuel Fill (91/96 octane; aux fuel tank)	X	1
	C654-5	Decal – Fuel Fill (100 octane; aux fuel tank)	X	1
	C654-6*	Decal – Fuel Fill (100 octane; aux fuel tank)	X	1
10	A689-6**	Cap Assembly (primered; includes items 11 and 12. Order item 46 as required.)	X	1
	A689-6.PT**	Cap Assembly (painted white; includes items 11, 12, and 46)	X	1
11	A689-8	Washer (plastic)	X	1
12	A689-7	Gasket (rubber)	X	1
13	A142-1	Screw	X	6
14	NAS1149FN816P	Washer	X	33
15	MS21042L08	Nut	X	33
16	MS27039C0806	Screw	X	34
17	MS27039C1-06	Screw	X	1
18	MS21919WDG4	Clamp	X	1
19	B162-3	Clipnut	X	1
20	B577-2	Stiffener	X	1
21	B049-7	Wire Harness Assembly (Incl item 22)	X	1
22	B161-2	Spirap	X	A/R
23	—	Nut	O	1
24	B330-5	Palnut	X	1
25	—	Nut	O	1
26	B330-6	Palnut	X	1
27	MS29512-06	Packing (install using item 28)	X	1
28	A257-6	Grease	X	A/R

NOTES * For dark colored ships.
 ** Revision J or subsequent. Refer to MM § 12.130.

Continues

FIGURE AND INDEX NUMBER	PART NUMBER	DESCRIPTION	PARTS AVAIL	QTY PER ASSY
AUXILIARY TANK ASSEMBLY (Cont'd)				
28-9-29	B254-3	Strainer Assembly	X	1
30	D205-33	Hose Assembly (Ref)		
31	MS27039C1-09	Screw	X	14
32	A257-9	Anti-seize	X	A/R
33	D252-4	Sender – Fuel Quantity (Incl items 23, 25 and 38)	X	1
34	MS27039C0810	Screw	X	2
35	D250-8	Cover Assembly	X	1
36	B574-1	Siphon Assembly	X	1
37	A215-112	Packing (o-ring)	X	1
38	0015-00423	Gasket (alternate part no. 15-423)	X	1
39	MS29513-260	Packing (install using item 28)	X	1
40	D250-5	Ring (Ref)		
41	5-108	O-ring (5-108 N674-70, Parker P/N)	X	1
42	B289-1	Bolt (Incl item 41)	X	5
43	D663-1	Clamp	X	1
44	A761-1	Drain	X	1
45	A729-60	Tube	X	1
46	D682-44	Decal – "Caution: Align Stripes"	X	1
47	MT106-3	Fuel Sample Tube (Pyrex®)	X	1
48	NAS557-16A	Grommet	X	1
49	G926-7	Holder (Ref)		
50	G682-21	Decal – "STOW MT106-3 FUEL SAMPLE TUBE HERE"	X	1
51	MS20470AD4	Rivet	X	3

52	KI-230	Fuel Sample Tube Installation Kit (if not previously installed) . .	X	1

NOTES

Intentionally Blank

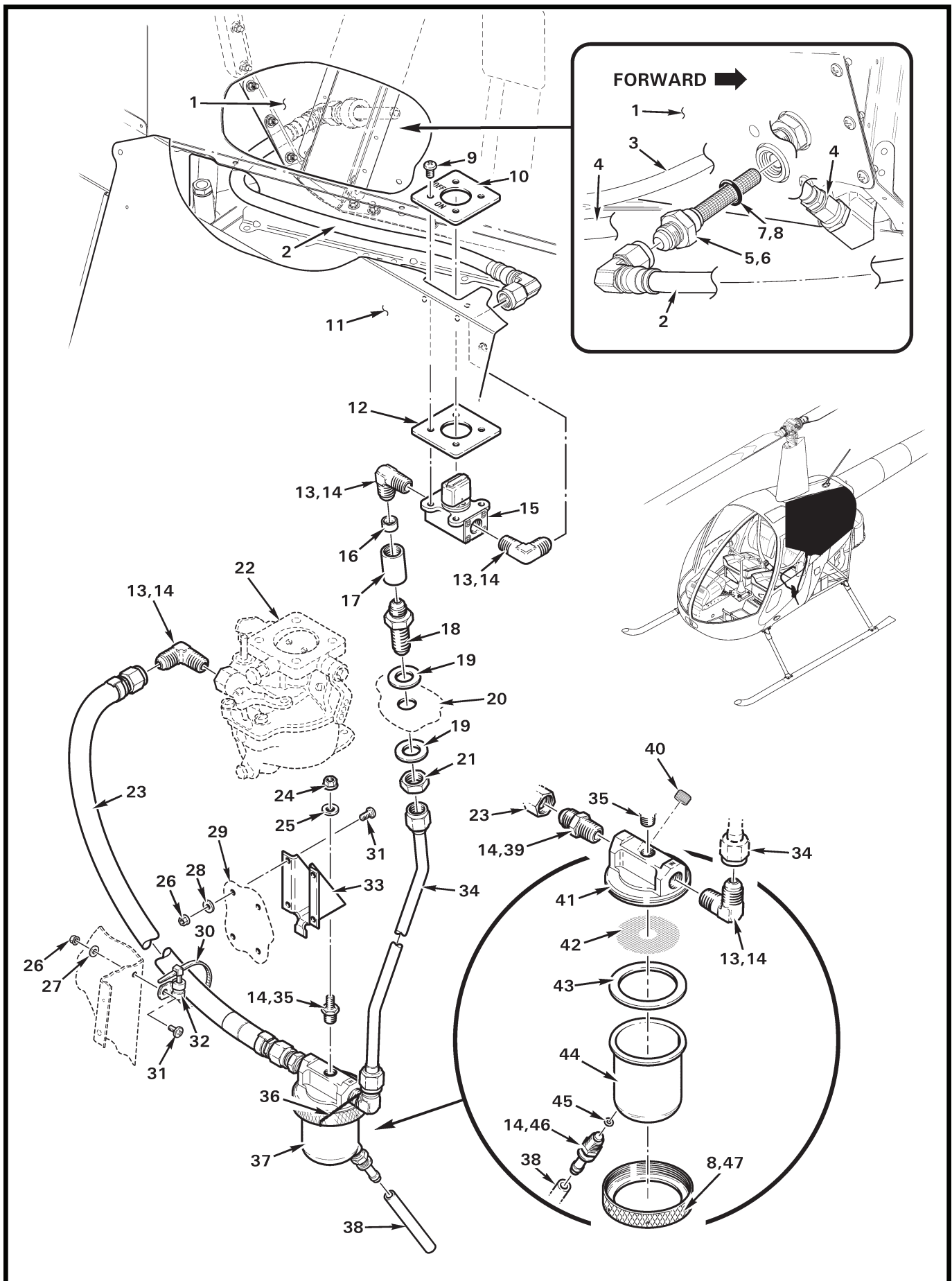


FIGURE AND INDEX NUMBER	PART NUMBER	DESCRIPTION	PARTS AVAIL	QTY PER ASSY
FUEL SYSTEM COMPONENTS				
28-13-1	A010-14*	Fuel Tank Assembly (Ref, see Figure 28-1)		
2	D205-32	Hose Assembly	X	1
3	D205-34	Hose Assembly (Ref; see Figure 28-1)		
4	C595-1	Hose Assembly (Ref; see Figure 28-1)		
5	B254-3	Strainer – Fuel (install using item 6)	X	1
6	A257-9	Anti-seize	X	A/R
7	MS29512-06	Packing (o-ring; install using item 8)	X	1
8	A257-6	Grease	X	A/R
9	MS27039C1-06	Screw	X	4
10	A798-3	Plate	X	1
11	A465-1	Panel – Seat Back (LH, Ref)		
12	A798-1	Plate	X	1
13	A880-636	Elbow (or A880-666; install using item 14)	X	4
14	B270-6	Sealant (4-oz tube)	X	A/R
15	A670-1	Valve – Fuel Shut-Off (revision “1” and subsequent)	X	1
16	A656-1	Sleeve (inside item 17)	X	1
17	A657-1	Nut	X	1
18	A457-15	Bulkhead Union (Incl item 21)	X	1
19	NAS1149F0932P**	Washer (minimum of [2], one each side of firewall)	X	A/R
20	A234-1	Firewall – Horizontal (Ref)		
21	—	Nut	O	1
22	—	Carburetor (Ref)		
23	B283-2	Hose Assembly (O-320 engine)	X	1
	B283-6	Hose Assembly (O-360 engine)	X	1
24	A210-4	Nut	X	1
25	NAS1149F0463P	Washer	X	1
26	MS21042L08	Nut	X	5
27	NAS1149FN816P	Washer	X	1
28	NAS1149FN832P	Washer	X	4
29	A233-1	Firewall – Vertical (Ref)		
30	MS3367-7-9	Ty-Rap	X	1
31	MS27039C0806	Screw	X	5
32	MS21919WDG3	Clamp	X	1
33	A454-1	Support	X	1
34	A726-1	Line Assembly	X	1

NOTES * Primered only.
 ** Use additional washers as required to adjust height of valve.

Continues

FIGURE AND INDEX NUMBER	PART NUMBER	DESCRIPTION	PARTS AVAIL	QTY PER ASSY
FUEL SYSTEM COMPONENTS (Cont'd)				
28-13-35	A455-1	Plug (install using item 14)	X	1
36	MS20995C32	0.032-inch dia Safety Wire	X	A/R
37	A666-1	Gascolator (Revision "M" and subsequent; includes items 41 and 47. Does not include item 40 [order as required].) . . .	X	1
38	A729-5	Tube	X	1
39	A880-536	Nipple (or A880-566; install using item 14)	X	1
40	MS27769D2	Plug (install using item 14)	X	1
41	B402-3	Top	O	1
42	10543-2	Screen	X	1
43	10536-1	Gasket – Gascolator (Viton, replaces 10536)	X	1
44	10541	Bowl	O	1
45	A215-006	O-Ring	X	2
46	CAV-110H-4	Drain Valve (install using item 14)	X	1
47	B416-1	Collar (lubricate threads using item 8)	O	1
NOTES				

Intentionally Blank

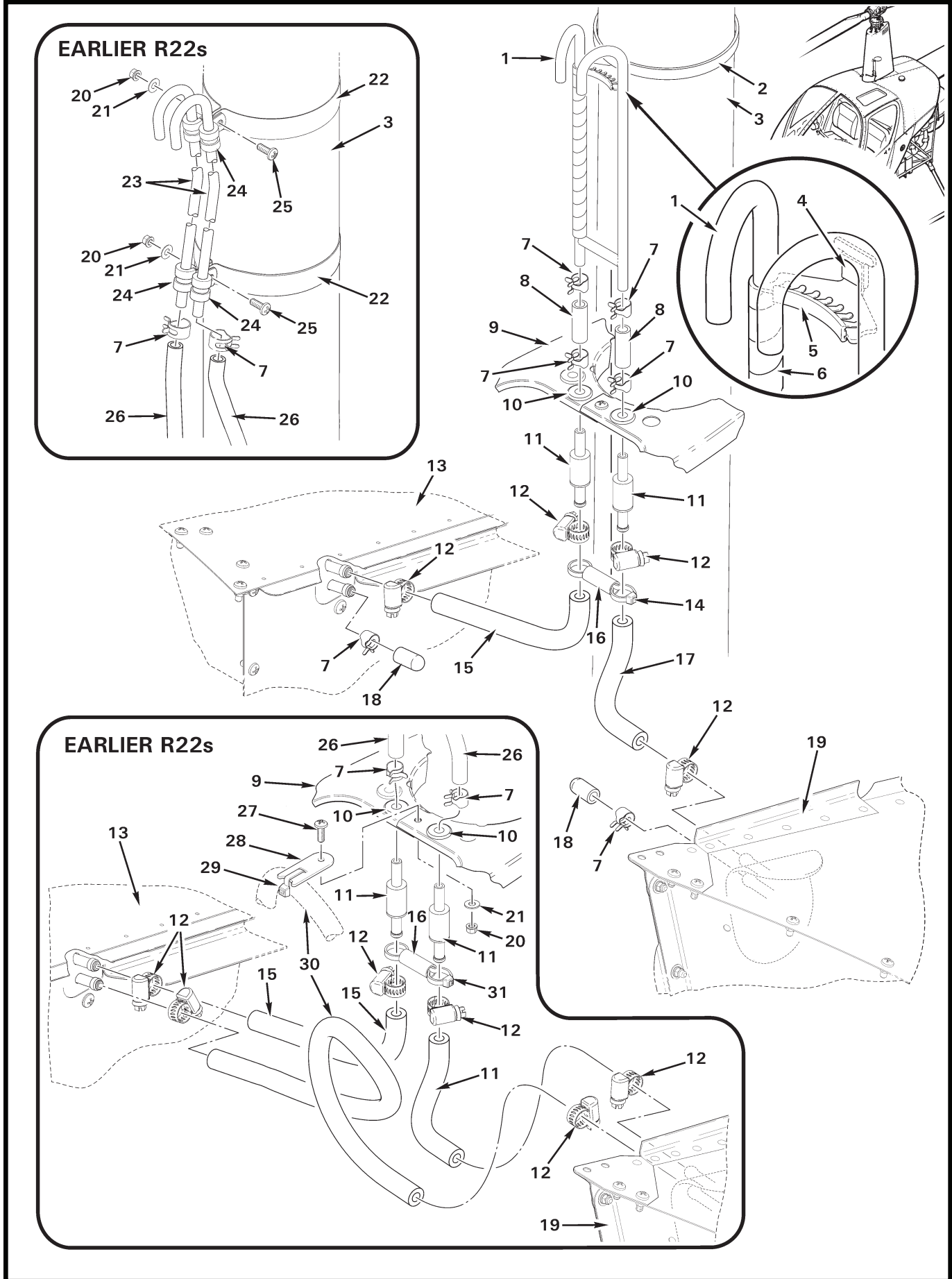


FIGURE AND INDEX NUMBER	PART NUMBER	DESCRIPTION	PARTS AVAIL	QTY PER ASSY
VENT LINES INSTALLATION				
28-17-1	A731-10	Vent Tube Assembly (Incl items 4, 5, and 6)	X	1
2	MS3367-6-0	Ty-Rap	X	1
3	A283-5	Mast Assembly (Ref)		
4	B158-6	Heat Shrink	X	A/R
5	A225-1	Grommet	X	A/R
6	B161-4	Spirap	X	A/R
7	D277-6	Clamp	X	6
8	A729-79	Tube	X	2
9	A261-1	Mast Fairing Assembly (Ref)		
10	MS35489-6	Grommet	X	2
11	D251-1	Valve Assembly	X	2
12	B277-4	Clamp	X	4
13	A010-15	Aux Fuel Tank Assembly (Ref)		
14	MS3367-4-9	Ty-Rap	X	2
15	A729-48	Tube	X	1
16	A729-63	Tube	X	1
17	A729-62	Tube	X	1
18	A457-19	Cap	X	2
19	A010-14	Main Fuel Tank Assembly (Ref)		
20	MS21042L08*	Nut	X	3
21	NAS1149FN816P*	Washer	X	3
22	B277-56*	Clamp	X	2
23	A731-4*	Tube – Vent	X	2
24	MS21919WDG4*	Clamp	X	4
25	MS27039C0807*	Screw	X	2
26	A729-61*	Tube	O	2
27	MS27039C0806*	Screw	X	1
28	B576-6*	Tab	X	1
29	MS3367-5-9*	Ty-Rap	X	1
30	A729-49*	Tube	O	1
31	MS3367-7-9*	Ty-Rap	X	1

NOTES * Earlier R22s.

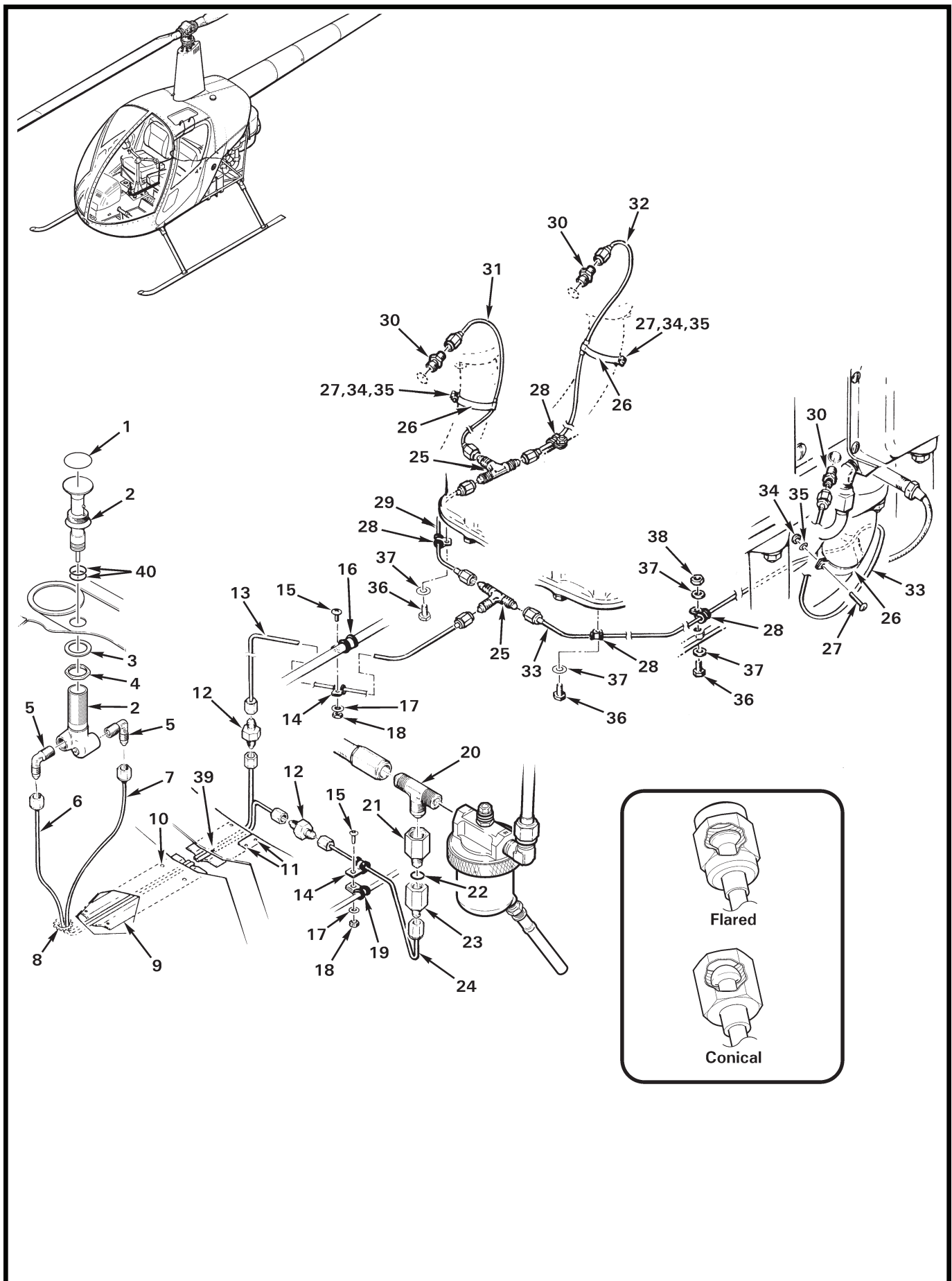


FIGURE AND INDEX NUMBER	PART NUMBER	DESCRIPTION	PARTS AVAIL	QTY PER ASSY
PRIMER SYSTEM				
28-19-1	D682-39	Decal (centered on pump head)	X	1
2	K2404-1/8-4	Primer Pump (Incl items 3, 4, and 40)	X	1
3	—	Washer	O	1
4	—	Nut	O	1
5	A880-602*	Elbow	X	2
6	B104-1	Line Assembly (outlet)	X	1
7	B104-3	Line Assembly (inlet)	X	1
8	NAS557-8A	Grommet	X	1
9	B106-1	Channel	X	1
10	MS20470AD3-3	Rivet	X	13
11	MS20470AD4-4	Rivet	X	2
12	A880-902*	Union	X	2
13	B104-5	Line Assembly (flared-end fittings**)	X	1
	B104-2***	Line Assembly (with brass, hemispherical cone fittings**; earlier R22s)	O	1
14	MS21919WDG2	Clamp	X	2
15	MS27039C0807	Screw	X	2
16	MS21919WDG8	Clamp	X	1
17	NAS1149FN816P	Washer	X	2
18	MS21042L08	Nut	X	2
19	MS21919WDG3	Clamp	X	1
20	A880-1136 or -1166*	Tee	X	1
21	AN894D6-4	Bushing	X	1
22	MS29512-04	Gasket	X	1
23	AN894D4-2	Bushing	X	1
24	B104-4	Line Assembly (gascolator outlet)	X	1
25	MS24402-2D	Tee (aluminum, for use with flared-end fittings**)	X	2
	AN795-2***	Tee (brass, for use with cone fittings**; earlier R22s)	O	2
26	LW-18959-150-25	Clamp (Lycoming part no., O-320 engine)	X	3
	LW-18959-175-25	Clamp (Lycoming part no., O-360 engine)	X	3
27	MS35206-230	Screw	X	3
28	MS21333-96	Clamp	X	4
29	B103-2	Line Assembly (flared-end fittings**)	X	1
	B103-1***	Line Assembly (with brass, hemispherical cone fittings**; earlier R22s)	O	1

NOTES * See *Introduction* for allowable part numbers.
 ** Cone fitting and flared-end fitting line assemblies are not interchangeable.
 *** Contact RHC Technical Support for replacement assistance.

Continues

FIGURE AND INDEX NUMBER	PART NUMBER	DESCRIPTION	PARTS AVAIL	QTY PER ASSY
PRIMER SYSTEM (Cont'd)				
28-19-30	B310-2	Injector (aluminum, for use with flared-end fittings*)	X	3
	63B21408**	Injector (brass, for use with cone fittings*; earlier R22s)	X	3
31	B102-2	Line Assembly (flared-end fittings*)	X	1
	B102-1***	Line Assembly (cone fittings*; earlier R22s)	O	1
32	B101-2	Line Assembly (flared-end fittings*)	X	1
	B101-1***	Line Assembly (cone fittings*; earlier R22s)	O	1
33	B100-2	Line Assembly (flared-end fittings*)	X	1
	B100-1***	Line Assembly (cone fittings*; earlier R22s)	O	1
34	MS21042L06	Nut	X	3
35	NAS1149FN616P	Washer	X	3
36	—	Bolt (existing engine bolt, Ref)		
37	—	Washer (existing engine washer, Ref)		
38	—	Nut (existing engine nut, Ref)		
39	MS20426AD4-3.5	Rivet	X	1
40	AS3578-012	O-Ring (alternate part no. MS29513-12)	X	2

NOTES * Cone fitting and flared-end fitting line assemblies are not interchangeable.
 ** Lycoming part number. (RHC part number B310-1.)
 *** Contact RHC Technical Support for replacement assistance.

Intentionally Blank

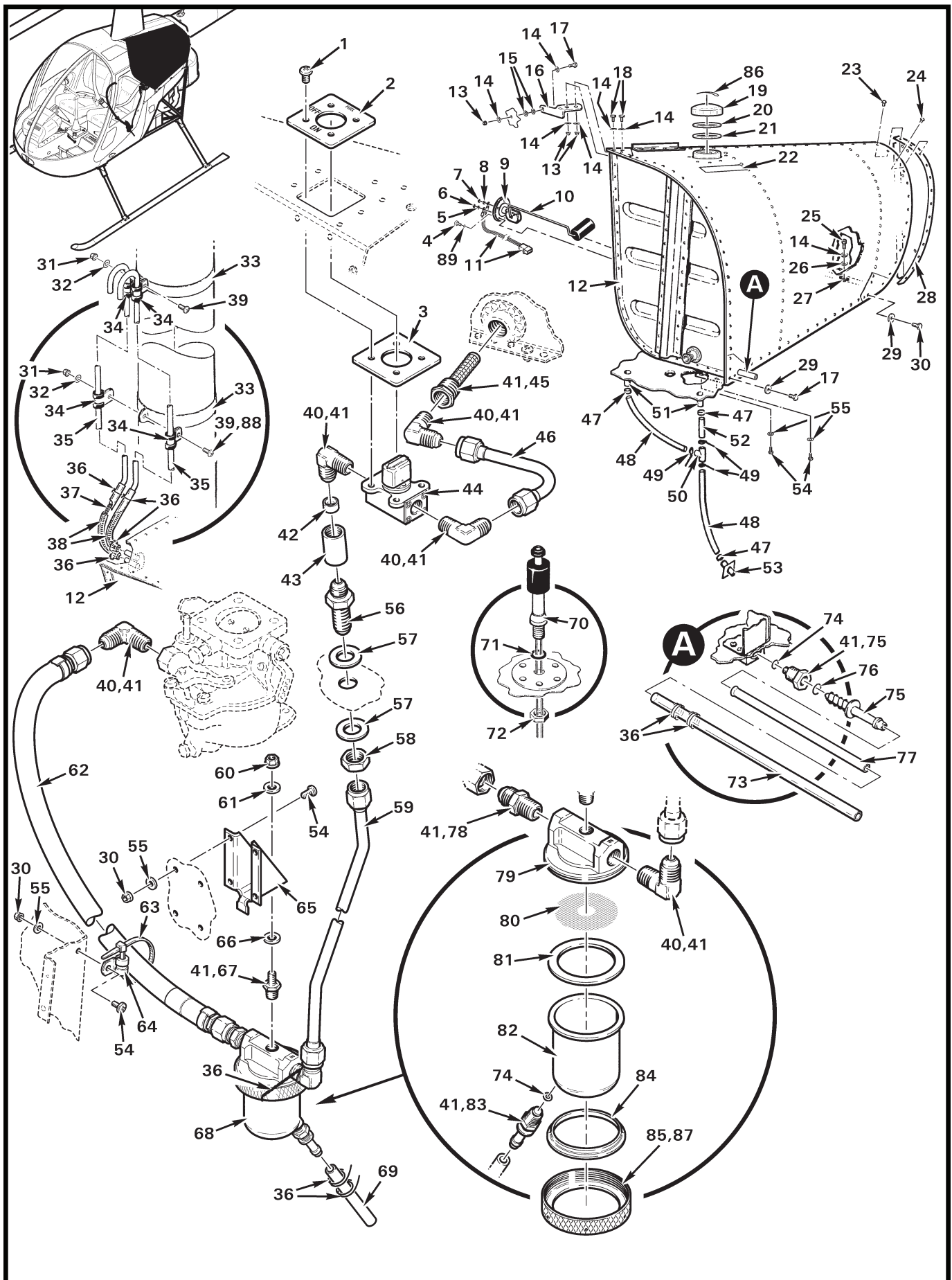


FIGURE AND INDEX NUMBER	PART NUMBER	DESCRIPTION	PARTS AVAIL	QTY PER ASSY
		FUEL SYSTEM INSTALLATION (ALL-ALUMINUM TANKS)		
28-23-1	MS27039C1-06	Screw	X	4
2	A798-3	Plate	X	1
3	A798-1	Plate	X	1
4	B289-1	Bolt (Incl item 89)	X	5
5	—	Nut (small)	O	1
6	B330-5	Palnut	X	1
7	B330-6	Palnut	X	1
8	—	Nut (large)	O	1
9	0015-00423	Gasket (alternate part no. 15-423)	X	1
10	A550-1	Sender – Fuel Quantity (Incl items 5, 8, and 9)	O	1
11	C049-11	Wire Harness Assembly	X	1
12	A010-2*	Fuel Tank Assembly (Includes A028-1 fuel tank and items 4, 6, 7, 10, 11, 19, 36, 38 [2], 45, 70 thru 73, 75, and 77.)	X	1
	A028-1*	Fuel Tank (tank only)	X	1
13	MS21042L3	Nut	X	4
14	NAS1149F0332P	Washer	X	7
15	NAS1149F0363P	Washer	X	2
16	A713-1	Strap	X	1
17	NAS6603-3	Bolt	X	2
18	NAS6603-2	Bolt	X	3
19	A689-6**	Cap Assembly (primered; includes items 20 and 21. Order item 86 as required.)	X	1
	A689-6.PT**	Cap Assembly (painted white; includes items 20, 21, and 86)	X	1
20	A141-38	Washer (plastic)	X	1
21	A689-7	Gasket – Fuel Cap (black rubber)	X	1
22	A654-1	Decal – Fuel Fill (black letters)	O	1
	A654-75	Decal – Fuel Fill (white letters, for dark-colored ships)	O	1
23	MS20470AD4	Rivet	X	2
24	MS20470AD3	Rivet	X	11
25	NAS1351-3-8P	Screw	X	2
26	AN960PD10L	Washer (for shimming, [4] maximum)	X	A/R
27	MS21069L3	Nutplate (install using MS20605R3W2 rivets [2])	X	1
	MS20605R3W2	Rivet	X	2
28	A028-7	Frame	X	1
29	A141-17	Washer	X	2

NOTES ** Revision J or subsequent. Refer to MM § 12.130.

Continues

FIGURE AND INDEX NUMBER	PART NUMBER	DESCRIPTION	PARTS AVAIL	QTY PER ASSY
FUEL SYSTEM INSTALLATION (ALL-ALUMINUM TANKS; Cont'd)				
28-23-30	NAS6603-4	Bolt	X	1
31	MS21042L08	Nut	X	7
32	NAS1149FN816P	Washer	X	2
33	A695-1	Clamp (bolted mast tube)	X	2
	A695-3	Clamp (welded mast tube)	X	2
34	MS21919WDG4	Clamp	X	4
35	A731-3	Vent Tube	O	2
36	MS20995C32	0.032-inch dia Safety Wire	X	A/R
37	B408-2	Spring	O	2
38	A729-7	Tube	O	2
39	MS27039C0807	Screw	X	2
40	MS20822-6D*	Elbow (or AN822-6D)	X	5
41	B270-6	Sealant (4-oz tube)	X	A/R
42	A656-1	Sleeve (inside item 43)	X	1
43	A657-1	Nut	X	1
44	A670-1	Valve – Fuel Shut-Off (revision "I" and subsequent)	X	1
45	B254-1*	Strainer – Fuel	X	1
46	A726-2	Line Assembly	O	1
47	B277-4	Clamp	X	3
48	A729-3	Tube	X	2
49	MS3367-4-9	Ty-Rap	X	3
50	A457-1	Tee	X	1
51	A456-1**	Drain (install using MS20470AD4 rivets [2])	X	2
52	A729-2	Tube	X	1
53	A458-1	Drain	X	1
54	MS27039C0806	Screw	X	7
55	NAS1149FN832P	Washer	X	7
56	0363-6-6	Bulkhead Union (Incl item 58)	X	1
57	NAS1149F0932P***	Washer (minimum of [2], one each side of firewall)	X	A/R
58	—	Nut	O	1
59	A726-1	Line Assembly	X	1
60	MS21042L4	Nut	X	1
61	NAS1149F0463P	Washer	X	1
62	B283-2	Hose Assembly (O-320 engine)	X	1
	B283-6	Hose Assembly (O-360 engine)	X	1

NOTES * Install using item 41.
 ** Apply B270-1 sealant between channel and drain. Seal rivets after installation.
 *** Use additional washers as required to adjust height of valve.

Continues

FIGURE AND INDEX NUMBER	PART NUMBER	DESCRIPTION	PARTS AVAIL	QTY PER ASSY
FUEL SYSTEM INSTALLATION (ALL-ALUMINUM TANKS; Cont'd)				
28-23-63	MS3367-7-9	Ty-Rap	X	1
64	MS21919WDG3	Clamp	X	1
65	A454-1	Support	X	1
66	NAS1149FO463P	Washer	X	A/R
67	A455-1 *	Plug	X	1
68	A666-1	Gascolator (revision "M" and subsequent; includes 74, and 79 thru 85)	X	1
69	A729-5	Tube	X	1
70	A521-1	Switch Assembly – Low Fuel	O	1
71	MS29512-5	Packing (o-ring)	X	1
72	AN924-5D	Nut	X	1
73	A729-1	Tube (plastic)	O	1
74	A215-006	O-Ring	X	2
75	A761-1 *	Drain Valve Assembly (Incl items 74 [1] and 76)	X	1
76	5-108	O-Ring	X	1
77	A728-1	Stiffener (aluminum)	O	1
78	AN816-6D*	Nipple	X	1
79	B402-3	Top	O	1
80	10543-2	Screen	X	1
81	10536-1	Gasket – Gascolator (Viton, replaces 10536)	X	1
82	10541	Bowl	O	1
83	CAV-110H-4*	Drain Valve	X	1
84	B416-2	Ring	O	1
85	B416-1	Collar (lubricate threads using item 87)	O	1
86	D682-44	Decal – "Caution: Align Stripes"	X	1
87	A257-6	Grease	X	A/R
88	MS27039C0806	Screw (used in place of MS27039C0807 screw at lower A695-1 clamp)	X	1
89	5-108	O-ring (5-108 N674-70, Parker P/N)	X	1
* * *				
90	KI-118-1	Fuel Tank Vent Upgrade Kit (For R22s <u>without</u> auxiliary fuel tank. Includes items 32 [1], 33 [1], 35 [1], 38 [1], and 39 [1].)	O	1

NOTES * Install using item 41.

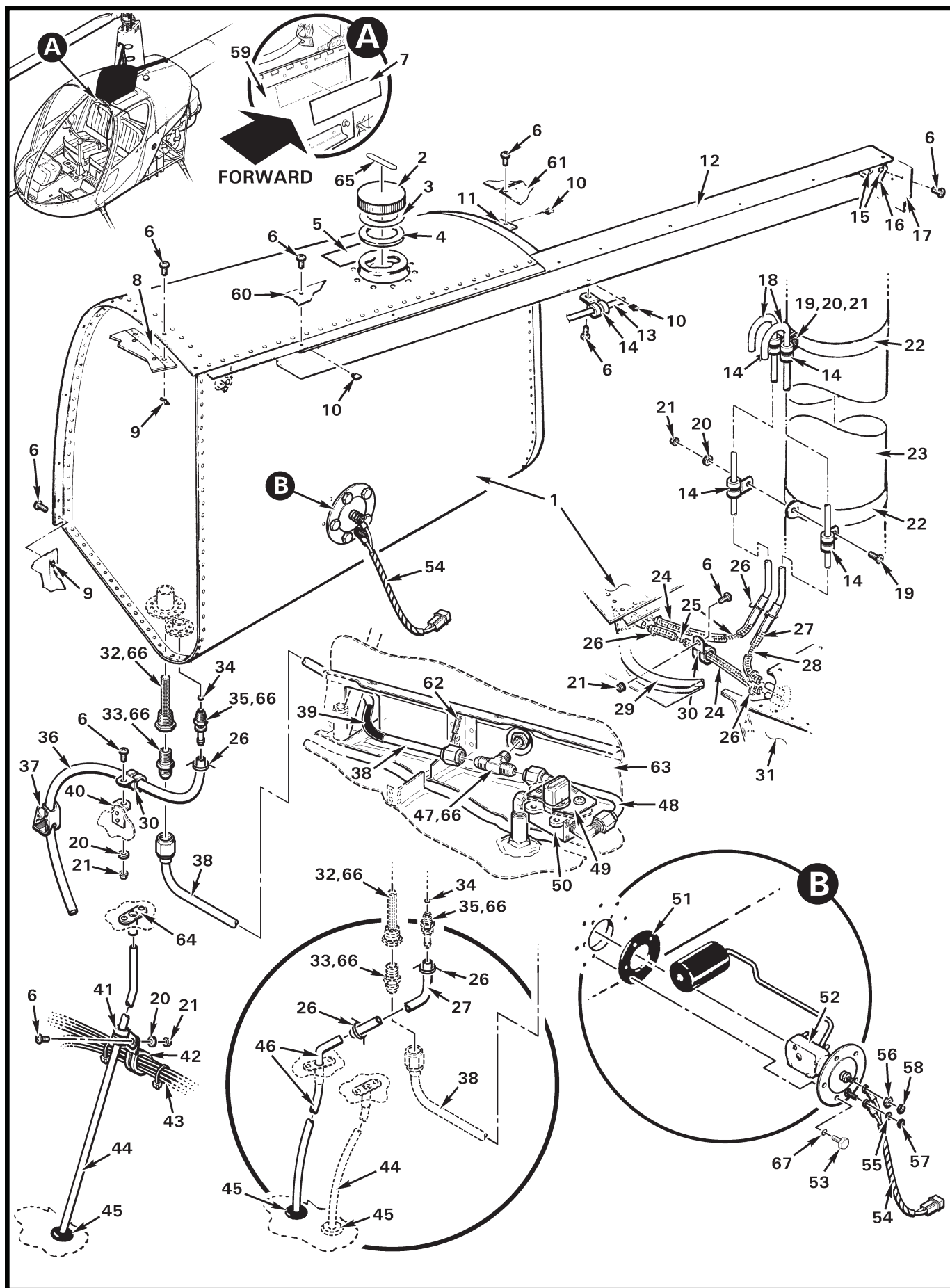


FIGURE AND INDEX NUMBER	PART NUMBER	DESCRIPTION	PARTS AVAIL	QTY PER ASSY
		AUXILIARY TANK ASSEMBLY (ALL-ALUMINUM TANKS)		
28-27-1	B043-2*	Aux Fuel Tank Assembly (Incl items 11, 12, 24 [1], 25, 32, 33, 35, and 52 thru 55)	O	1
2	A689-6**	Cap Assembly (primered; includes items 3 and 4. Order item 65 as required.)	X	1
	A689-6.PT**	Cap Assembly (painted white; includes items 3, 4, and 65)	X	1
3	A141-38	Washer ([1] or [2] as required)	X	A/R
4	A689-7	Gasket	X	1
5	A654-57	Decal – Fuel Fill (black letters)	O	1
	A654-77	Decal – Fuel Fill (white letters; for dark-colored ships)	O	1
6	MS27039C0806	Screw	X	A/R
7	A654-93	Decal (fuel drain instructions)	X	1
8	A015-14	Strip	X	1
9	MS21069L08	Nutplate	X	9
10	B162-3	Clipnut	X	16
11	B143-2	Angle (Ref)		
12	B321-8	Channel (Ref)		
13	A729-6	Tube – Static Pressure (Ref, see Figure 95-61)		
14	MS21919WDG4	Clamp	X	5
15	MS21086L08	Nutplate	X	2
16	B143-1	Angle	X	1
17	B429-5	Frame – Cowling (Ref, see Figure 53-5)		
18	A731-3	Vent Tube	X	2
19	MS27039C0807	Screw	X	2
20	NAS1149FN816P	Washer	X	4
21	MS21042L08	Nut	X	4
22	A695-1	Clamp	X	2
23	A283	Mast Assembly (Ref)		
24	A729-17	Tube – Vent (long)	X	2
25	B408-1	Spring (long)	O	2
26	MS20995C32	0.032-inch dia Safety Wire	X	2
27	A729-7	Tube – Vent (short)	O	1
28	B408-2	Spring (short)	O	1
29	B423-1	Channel (Ref, see Figure 53-5)		
30	MS21919WDG6	Clamp	X	2
31	A010-2	Main Fuel Tank (Ref, see Figure 28-23)		

NOTES * Ship S/N 0457 and subsequent. Fuel tank painted white.
 ** Revision J or subsequent. Refer to MM § 12.130.

Continues

FIGURE AND INDEX NUMBER	PART NUMBER	DESCRIPTION	PARTS AVAIL	QTY PER ASSY
AUXILIARY TANK ASSEMBLY (ALL-ALUMINUM TANKS, Cont'd)				
28-27-32	B254-1*	Strainer	X	1
33	AN816-6D***	Nipple	X	1
34	A215-006	O-Ring	X	1
35	A761-1***	Drain Valve (Incl item 34)	X	1
36	A729-37	Drain Tube	O	1
37	D663-1	Clamp	X	1
38	B141-1	Fuel Line Assembly	O	1
39	B158-8	Heat Shrink	X	A/R
40	C365-9	Clip	X	1
41	MS21919WDG5	Clamp (around drain tube)	X	1
42	MS21919WDG10	Clamp (around wire harness)	X	1
43	A059	Wire Harness (Ref)		
44	B128-1	Drain Tube	X	1
45	MS35489-9	Grommet ([2] required when item 46 is installed)	X	1
46	B128-2	Drain Tube Assembly	O	1
47	MS20825-6D***	Tee Fitting	O	1
48	A726-2	Line Assembly	X	1
49	A798-3	Plate (mounts <u>above</u> A465-1 panel)	X	1
	A798-1	Plate (mounts <u>below</u> A465-1 panel)	X	1
50	A670-1	Valve – Fuel Shut-Off	X	1
51	0015-00423	Gasket (alternate part no. 15-423)	X	1
52	B122-1	Sender Assembly (Incl items 51, 55, and 56)	O	1
53	B289-1	Bolt (includes washer and item 67)	X	5
54	B049-7	Harness Assembly	X	1
55	—	Nut (#6)	O	1
56	—	Nut (#8)	O	1
57	B330-5	Palnut	X	1
58	B330-6	Palnut	X	1
59	B153-6***	Door Assembly (Ref, see Figure 53-5)		
60	B429-3***	Skin (Ref, see Figure 53-5)		
61	B430-4	Skin (Ref, see Figure 53-5)		
62	MS21266-1N	Grommet (12-inch length, install using B270-8qt adhesive)	X	A/R
63	A259	Bulkhead (Ref)		
64	A456-1**	Drain (install using MS20615-4M rivets [2])	X	1
65	D682-44	Decal – "Caution: Align Stripes"	X	1

NOTES * Ship S/N 0457 and subsequent. Fuel tank painted white.
 ** Apply B270-1 sealant between drain and firewall and around joint between items 44 and 64.
 *** Install using item 66.

Continues

FIGURE AND INDEX NUMBER	PART NUMBER	DESCRIPTION	PARTS AVAIL	QTY PER ASSY
<p>AUXILIARY TANK ASSEMBLY (ALL-ALUMINUM TANKS, Cont'd)</p>				
28-27-66	B270-6	Sealant (4-oz tube)	X	A/R
67	5-108	O-ring (5-108 N674-70, Parker P/N)	X	1
<p>* * *</p>				
68	KI-118-2	Fuel Tank Vent Upgrade Kit (For R22s with auxiliary fuel tank. Includes items 18, 19 [1], 20 [1], 22, 24 [1], and 27 [1].)	O	1

NOTES

Intentionally Blank