

CHAPTER 25
FURNISHINGS

<i>Figure</i>	<i>Title</i>	<i>Page</i>
25-1	Interior Furnishings	25.0
25-5	Interior Furnishings	25.4
25-9	Seat Support and Floor Installation	25.8
25-13	Seat Compartment Covers	25.12
25-15	Fire Extinguisher Installation	25.14
25-17	Fire Extinguisher Installation	25.16
25-19	Kannad ELT Installation	25.18
25-23	Kannad ELT Installation	25.22
25-25	Pointer ELT Installation	25.24

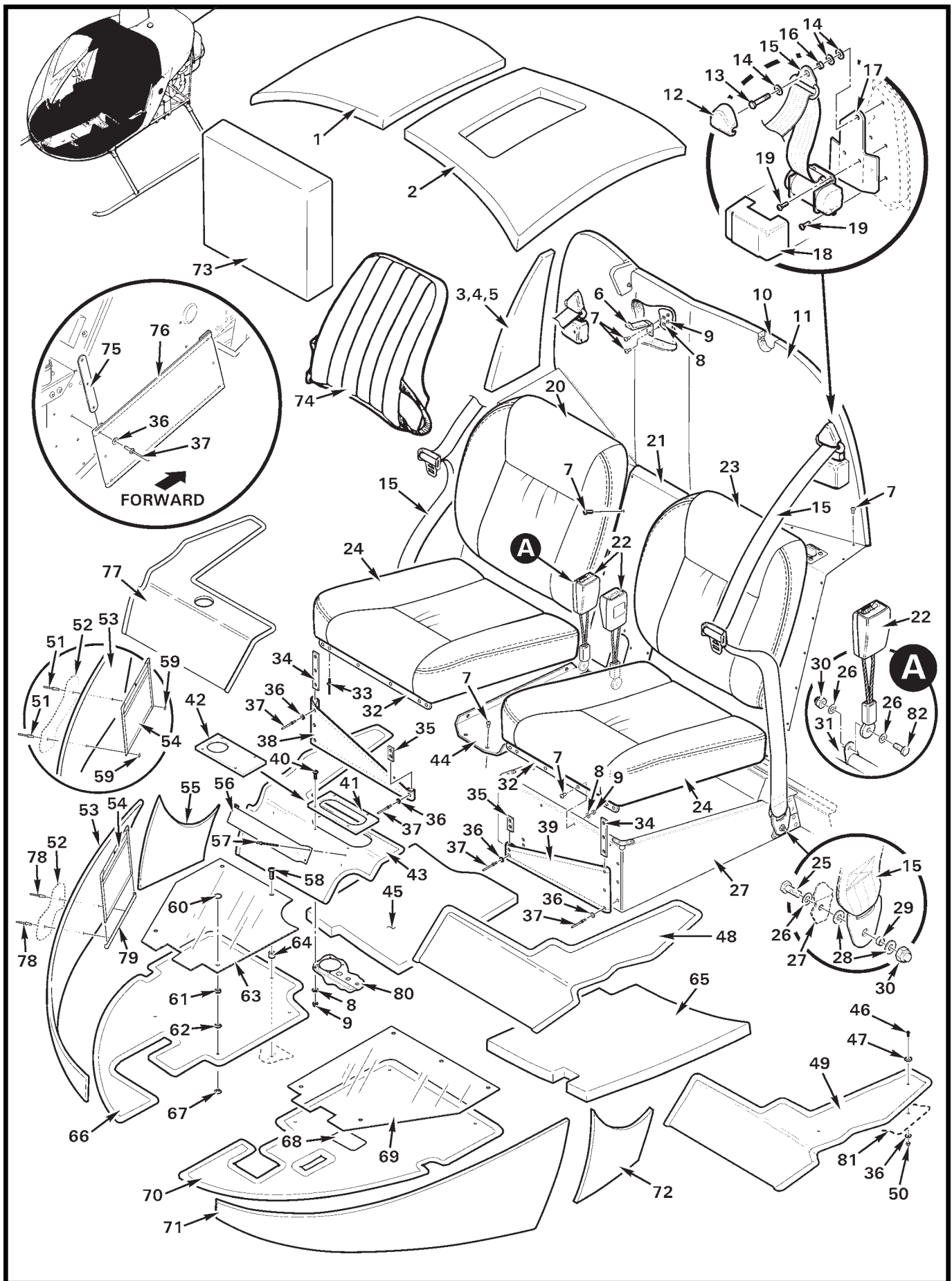


FIGURE AND INDEX NUMBER	PART NUMBER	DESCRIPTION	PARTS AVAIL	QTY PER ASSY
INTERIOR FURNISHINGS				
25-1-1	A003-3XX*	Foam Insulation (RH; install using item 5)	X	1
2	A914-1XX*	Foam Insulation (LH; install using item 5)	X	1
3	A003-15XX*	Foam Insulation (RH; install using item 5)	X	1
4	A003-10XX*	Foam Insulation (LH, not shown; install using item 5)	X	1
5	B270-8qt	Adhesive	X	A/R
6	A752-2	Angle – Headset Hanger	X	1
7	MS27039C0806	Screw	X	73
8	NAS1149FN816P	Washer	X	19
9	MS21042L08	Nut	X	13
10	A259	Bulkhead (Ref)		
11	A003-2XX*	Foam Insulation (install using item 5)	X	1
12	505798-1	Cover – Running Loop (Ref, included with item 15)	O	1
13	NAS6604-11	Bolt	X	2
14	A141-14	Washer	X	6
15	A628-6	Seat Harness Assembly (LH or RH; includes items 12 and 18)	X	2
16	A130-44	Spacer	X	2
17	B127-2	Guard (LH)	X	1
	B127-3	Guard (RH)	X	1
18	505663-3	Cover – Inertia Reel	X	1
19	MS27039C1-09	Screw	X	8
20	A003-14**	Seat Back Assembly (RH, used with A932-7 seat back. Revision "AY" and subsequent.)	X	1
21	A465-4	Panel Assembly	X	1
22	F628-8	Buckle Assembly (push-button release, RH or LH)	X	2
23	A003-13**	Seat Back Assembly (LH, used with A932-7 seat back. Revision "AY" and subsequent.)	X	1
24	A928-7**	Seat Assembly – Bottom (Incl item 32)	X	2
25	NAS6604-4	Bolt	X	2
26	NAS1149F0432P	Washer	X	6
27	A291	Seat Support (Ref)		
28	NAS1149F0463P	Washer	X	10
29	A130-28	Spacer	X	2
30	B340-10	Nut	X	4
31	A348-1	Anchor – Harness (Ref; see also Figure 25-9)	X	1
32	A928-5	Seat Hinge (install using item 33 [6])	X	1
33	B204-4	Rivet	X	A/R

NOTES * Please specify color (replace XX with BL for blue, GR for gray, or TN for tan).
 ** Please specify color (blue, gray, or tan) and leather or velour.

Continues

FIGURE AND INDEX NUMBER	PART NUMBER	DESCRIPTION	PARTS AVAIL	QTY PER ASSY
INTERIOR FURNISHINGS (Cont'd)				
25-1-34	A913-1	Strip (long)	X	2
35	A913-2	Strip (short)	X	2
36	NAS1149FN632P	Washer	X	15
37	B204-2	Blind Rivet	X	17
38	A912-1	Pocket (RH)	X	1
39	A912-4	Pocket (LH, ship S/N 2900 and subsequent)	X	1
40	MS27039C0808	Screw	X	4
41	A750-2*	Cover (cabin heater, used on Standard and HP)	X	1
	A750-4*	Cover (cabin heater, used on Alpha and Beta)	X	1
42	A750-1*	Cover (no cabin heater, used on Standard and HP)	X	1
	A750-3*	Cover (no cabin heater, used on Alpha and Beta)	X	1
43	A469-27**	Carpet Assembly (RH aft, w/heater outlet)	X	1
44	A445-2	Cover	X	1
45	A003-4	Foam Insulation (RH, no cabin heater)	X	1
	A003-16	Foam Insulation (RH, cabin heater)	X	1
46	MS24693-S27	Screw (earlier R22s)	X	4
47	A3236-012-24A	Washer (earlier R22s)	X	4
48	A469-18**	Carpet Assembly (LH, aft; ship S/N 0333 and subsequent) . .	X	1
49	A469-3**	Carpet Assembly (LH, aft; ship S/N 0002 thru 0332)	X	1
50	MS21042L06	Nut (earlier R22s)	X	4
51	NAS9301B-4-05	Blind Rivet (use when items 54 and 56 are chin-mounted) . . .	X	6
52	A272	Chin (Ref, see Figure 6-1)		
53	A469-12**	Carpet (RH, carpet only)	X	1
54	13-07900	License Holder	X	1
55	A469-14**	Carpet (RH, carpet only)	X	1
56	A745-1	Strap	X	1
57	B204-1	Blind Rivet	X	4
58	AN525-832R10	Screw (NOT interchangeable with MS27039C1-10)	X	6
59	NAS620-5	Washer	X	2
60	MS27981-1B	Button	X	2
61	MS27981-3B	Socket	X	2
62	MS27981-4B	Stud	X	2
63	A469-24	Scuff Plate Assembly (RH, forward heater outlet; includes items 60 and 61)	X	1
64	A130-33	Spacer	X	6

NOTES * A750-3 and -4 for ships with aft battery (except instrument trainers); all others use -1 or -2.
 ** Please specify color (blue, gray, or tan).

Continues

FIGURE AND INDEX NUMBER	PART NUMBER	DESCRIPTION	PARTS AVAIL	QTY PER ASSY
INTERIOR FURNISHINGS (Cont'd)				
25-1-65	A003-5	Foam Insulation (LH)	X	1
66	A469-34*	Carpet Assembly (RH floor, with heater and screwed-down scuff plate. Includes items 62, 63, and 67.)	X	1
	A469-32*	Carpet Assembly (RH floor, with screwed-down scuff plate, not shown. Includes item 62, 63, and 67.)	X	1
67	MS27981-5B	Eyelet	X	2
68	A654-85	Decal – “DANGER TAIL ROTOR AND HOT EXHAUST”	X	1
69	A469-9	Scuff Plate Assembly (LH; includes items 60, 61, and 68)	X	1
70	A469-33*	Carpet Assembly (LH floor, with heater and screwed-down scuff plate. Includes items 62, 67 and 69.)	X	1
	A469-31*	Carpet Assembly (LH floor, with screwed-down scuff plate, not shown. Includes items 62, 67, and 69.)	X	1
71	A469-11*	Carpet (LH, carpet only)	X	1
72	A469-13*	Carpet (LH, carpet only)	X	1
73	A693-1	Cushion (for shorter pilots)	X	1
74	A693-2BLV	Cushion (optional, for shorter pilots; blue velour)	X	1
	A693-2BLL	Cushion (optional, for shorter pilots; blue leather)	X	1
	A693-2GRV	Cushion (optional, for shorter pilots; gray velour)	X	1
	A693-2GRL	Cushion (optional, for shorter pilots; gray leather)	X	1
	A693-2TNV	Cushion (optional, for shorter pilots; tan velour)	X	1
	A693-2TNL	Cushion (optional, for shorter pilots; tan leather)	X	1
75	A913-3	Strip	X	2
76	A912-5	Pocket Assembly	X	1
77	A469-4*	Carpet Assembly (RH, aft; no cabin heater)	X	1
78	NAS9301B-4-05	Blind Rivet (or NAS9301B-4-04)	X	6
79	B632-1	Channel	X	1
80	A304-4	Cap (RH, Ref)		
81	A287-1	Panel (RH, Ref)		
82	NAS6604-4	Bolt	X	2

NOTES * Please specify color (blue, gray, or tan).

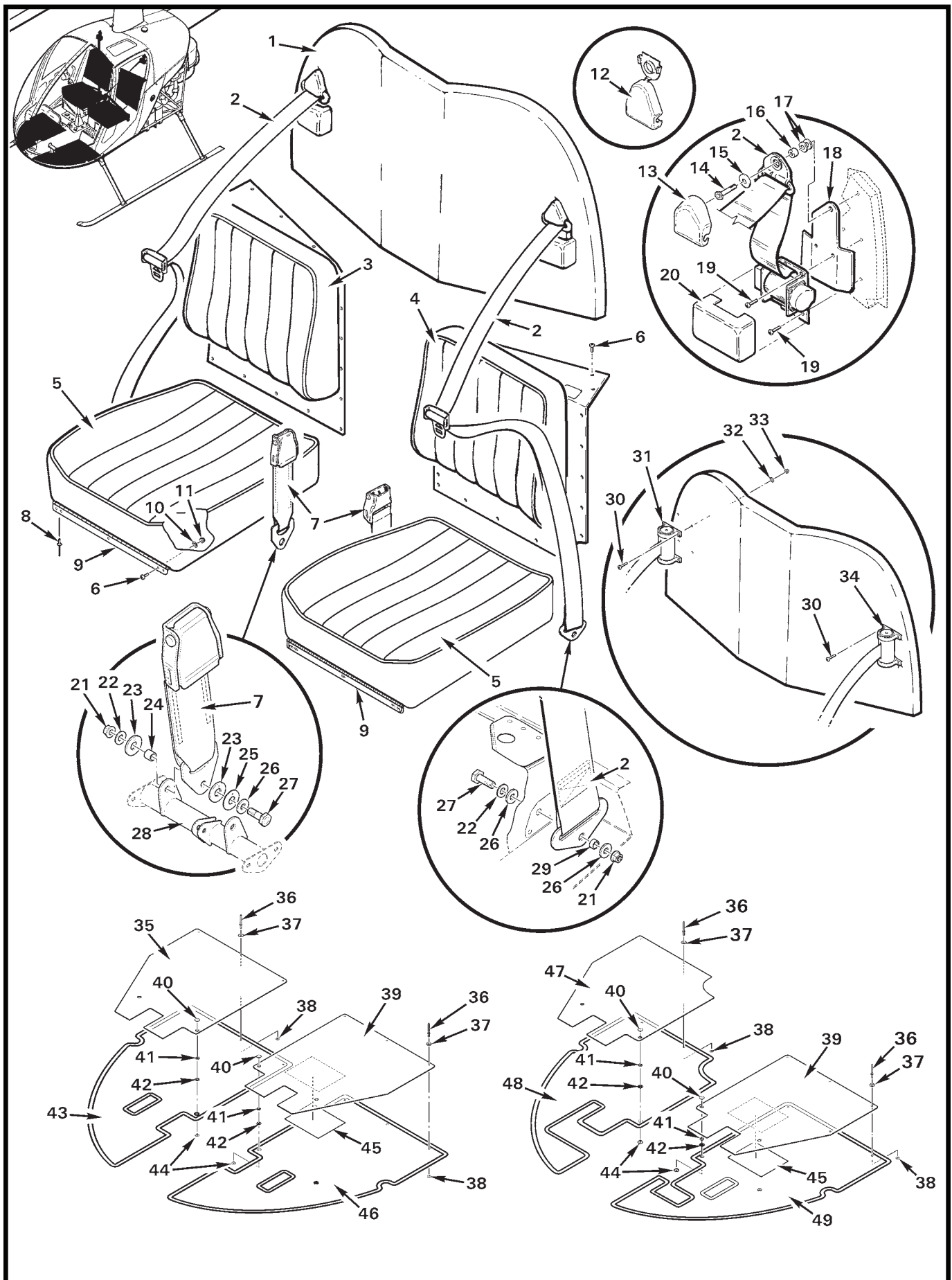


FIGURE AND INDEX NUMBER	PART NUMBER	DESCRIPTION	PARTS AVAIL	QTY PER ASSY
INTERIOR FURNISHINGS				
25-5-1	A003-2	Foam Insulation (Ref, see Figure 25-1)		
2	A628-4	Connector Assembly (Ref, used with item 7. No longer available; see Figure 25-1, item 15.)		
3	A003-14	Seat Back Assembly (RH, revision "AX" and prior. Used with A932-1* seat back.)	X	1
4	A003-13	Seat Back Assembly (LH, revision "AX" and prior. Used with A932-1* seat back.)	X	1
5	A928-1	Seat Assembly – Bottom (Incl items 8 and 9)	X	2
6	MS27039C0806	Screw	X	54
7	A628-5	Buckle Assembly (Used with item 2. No longer available; see Figure 25-1, item 22.)	O	2
8	B204-4	Rivet	X	A/R
9	A928-5	Hinge (install using item 8)	X	1
10	NAS1149FN816P	Washer	X	54
11	MS21042L08	Nut	X	54
12	FCGD1010	Cover – Web Guide (replaces earlier A628-4 assembly cover)	X	1
13	504779-3	Cover – Running Loop (Ref)	O	1
14	NAS6604-11	Bolt	X	2
15	AN970-4	Washer	X	2
16	A130-44	Spacer	X	2
17	A141-14	Washer	X	2
18	B127-2	Guard (LH)	X	1
	B127-3	Guard (RH)	X	1
19	MS27039C1-09	Screw	X	8
20	502260	Cover – Inertia Reel	X	1
21	MS21042L4	Nut	X	4
22	NAS1149F0432P	Washer	X	4
23	D041-5	DU Washer	X	4
24	A130-52	Washer	X	2
25	A041-6	Spring Washer	X	2
26	MS20002-4	Washer	X	6
27	NAS6604-5	Bolt	X	4
28	A348-1	Anchor Assembly (Ref)		
29	A130-28	Spacer	X	2
30	MS27039C1-12	Screw	X	8
31	R7177*	Seat Harness Assembly (RH, Ref; no longer available)		
32	NAS1149F0332P	Washer (right side only)	X	4
33	MS21042L3	Nut (right side only)	X	4

NOTES * Ship S/N 0002 thru 0435.

Continues

FIGURE AND INDEX NUMBER	PART NUMBER	DESCRIPTION	PARTS AVAIL	QTY PER ASSY
INTERIOR FURNISHINGS (Cont'd)				
25-5-34	R7175 *	Seat Harness Assembly (LH, Ref; no longer available)		
35	A469-10	Scuff Plate Assembly (RH, no heater; includes items 40, and 41)	X	1
36	B204-4	Rivet	X	A/R
37	A3236-012-193	Washer	X	2
38	90183A213	Washer	X	15
39	A469-9	Scuff Plate Assembly (LH, includes items 40, 41, and 45) . . .	X	1
40	MS27981-1B	Button	X	2
41	MS27981-3B	Socket	X	2
42	MS27981-4B	Stud	X	2
43	A469-2**	Carpet Assembly (RH floor, no heater; with riveted-down scuff plate. Includes items 35 thru 38, 42, and 44.)	X	1
44	MS27981-5B	Eyelet	X	2
45	A654-85	Decal – "DANGER TAIL ROTOR AND HOT EXHAUST"	X	1
46	A469-1**	Carpet Assembly (LH floor, no heater; with riveted-down scuff plate. Includes items 36 thru 39, 42 and 44.)	X	1
47	A469-24	Scuff Plate Assembly (RH, forward heater outlet; includes items 40 and 41)	X	1
48	A469-23**	Carpet Assembly (RH floor, with heater and riveted-down scuff plate. Includes items 36 thru 38, 42, and 44.)	X	1
49	A469-29**	Carpet Assembly (LH floor, with heater and riveted-down scuff plate. Includes items 36 thru 39, 42, and 44.)	X	1

NOTES * Ship S/N 0002 thru 0435.
 ** Please specify color (blue, gray, or tan).

Intentionally Blank

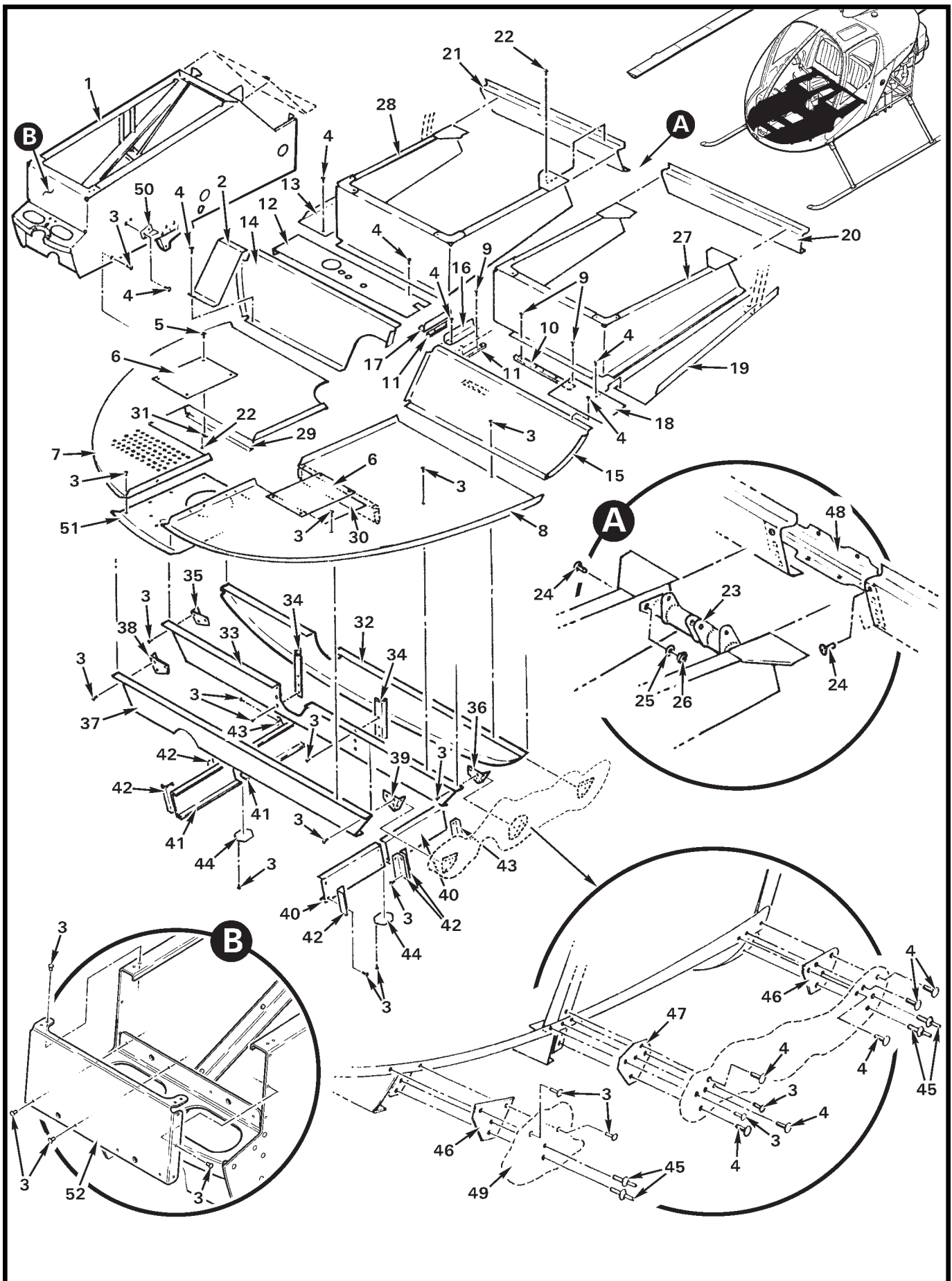


FIGURE AND INDEX NUMBER	PART NUMBER	DESCRIPTION	PARTS AVAIL	QTY PER ASSY
SEAT SUPPORT AND FLOOR INSTALLATION				
25-9-1	A033-1	Console Assembly – Lower	X	1
2	A391-1	Doubler	X	1
3	MS20470AD3	Rivet	X	A/R
4	MS20470AD4	Rivet	X	A/R
5	MS27039C0806	Screw	X	A/R
6	A412-1	Cover	X	2
7	A232-2	Panel – Floor (RH)	X	1
8	A232-1	Panel – Floor (LH)	X	1
9	1693-0414	Rivet	X	12
10	A738-7	Gang Channel (attach with item 9)	X	2
11	A738-3	Gang Channel (attach with item 9)	X	1
12	A304-4*	Cap (RH)	X	1
	A304-2**	Cap (RH, not shown)	X	1
13	A287-2	Panel (RH)	X	1
14	A350-4	Panel (RH)	X	1
15	A350-1	Panel (LH)	X	1
16	A373-3	Angle (LH)	X	1
17	A373-4	Angle (RH)	X	1
18	A304-1	Cap (LH)	X	1
19	A287-1	Panel (LH)	X	1
20	A288-1	Cross Beam – Seat Support (LH)	X	1
21	A288-2	Cross Beam – Seat Support (RH)	X	1
22	MS20426AD3	Rivet	X	A/R
23	A348-1	Anchor – Seat Belt Harness	X	1
24	MS27039C0807	Screw	X	4
25	NAS1149FN832P	Washer	X	4
26	MS21042L08	Nut	X	4
27	A291-1	Seat Support Assembly (LH)	X	1
28	A291-2	Seat Support Assembly (RH)	X	1
29	A410-2	Channel (RH)	X	1
30	A410-1	Channel (LH)	X	1
31	MS21069L08K	Nutplate	X	8
32	A275-1	Frame	X	1
33	A407-2	Beam (must be ordered with items 34 thru 36)	O	1
34	A407-5	Angle – Center	X	2

NOTES * Ship S/N 2600 and subsequent with forward carb heat control.
 ** Ship S/N 0002 thru 2599 with aft carb heat control.

Continues

FIGURE AND INDEX NUMBER	PART NUMBER	DESCRIPTION	PARTS AVAIL	QTY PER ASSY
SEAT SUPPORT AND FLOOR INSTALLATION (Cont'd)				
25-9-35	A407-4	Angle (RH)	X	1
36	A407-3	Angle (LH)	X	1
37	A406-2	Beam (must be ordered with items 38 and 39)	X	1
38	A406-4	Angle (RH)	X	1
39	A406-3	Angle (LH)	X	1
40	A408-1	Beam (LH)	X	2
41	A408-2	Beam (RH)	X	2
42	A409-1	Angle	X	4
43	A409-2	Angle	X	2
44	A411-1	Splice	X	2
45	NAS1919B04S	Blind Rivet (or MS20600AD4)	X	8
46	A417-2	Doubler	X	4
47	A417-1	Doubler	X	2
48	A405-1	Brace Assembly (Ref)	O	1
49	A272-1	Chin (Ref, see also Figure 6-1)		
50	A366-1	Stop – Rudder Pedal (LH)	X	1
	A366-2	Stop – Rudder Pedal (RH)	X	1
51	A232-3	Panel (Center)	X	1
52	A363-1	Cover	X	1

NOTES

Intentionally Blank

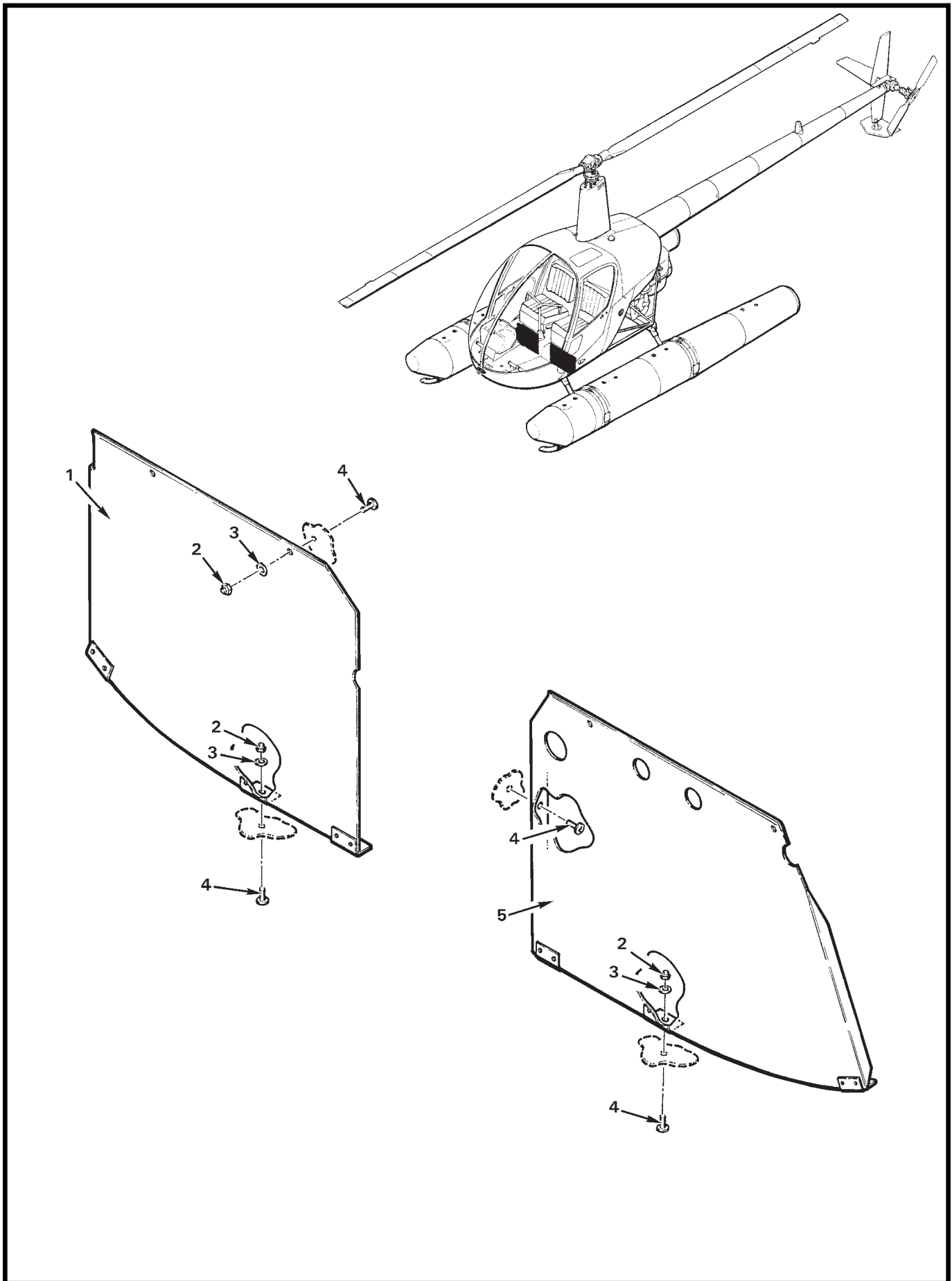


FIGURE AND INDEX NUMBER	PART NUMBER	DESCRIPTION	PARTS AVAIL	QTY PER ASSY	
SEAT COMPARTMENT COVERS					
25-13-1	A748-4	Cover Assembly – Seat Compartment Cover (RH, without cabin heater. Used on Mariner.)	X	1	
	A748-1	Cover Assembly – Baggage Compartment (RH, Ref; with cabin heater, not shown. See Figure 21-9.)			
	2	B340-4	Nut	X	11
	3	NAS1149FN832P	Washer	X	11
	4	MS27039C0806	Screw	X	12
	5	A748-6	Cover Assembly – Seat Compartment Cover (LH, used on Mariner)	X	1

NOTES

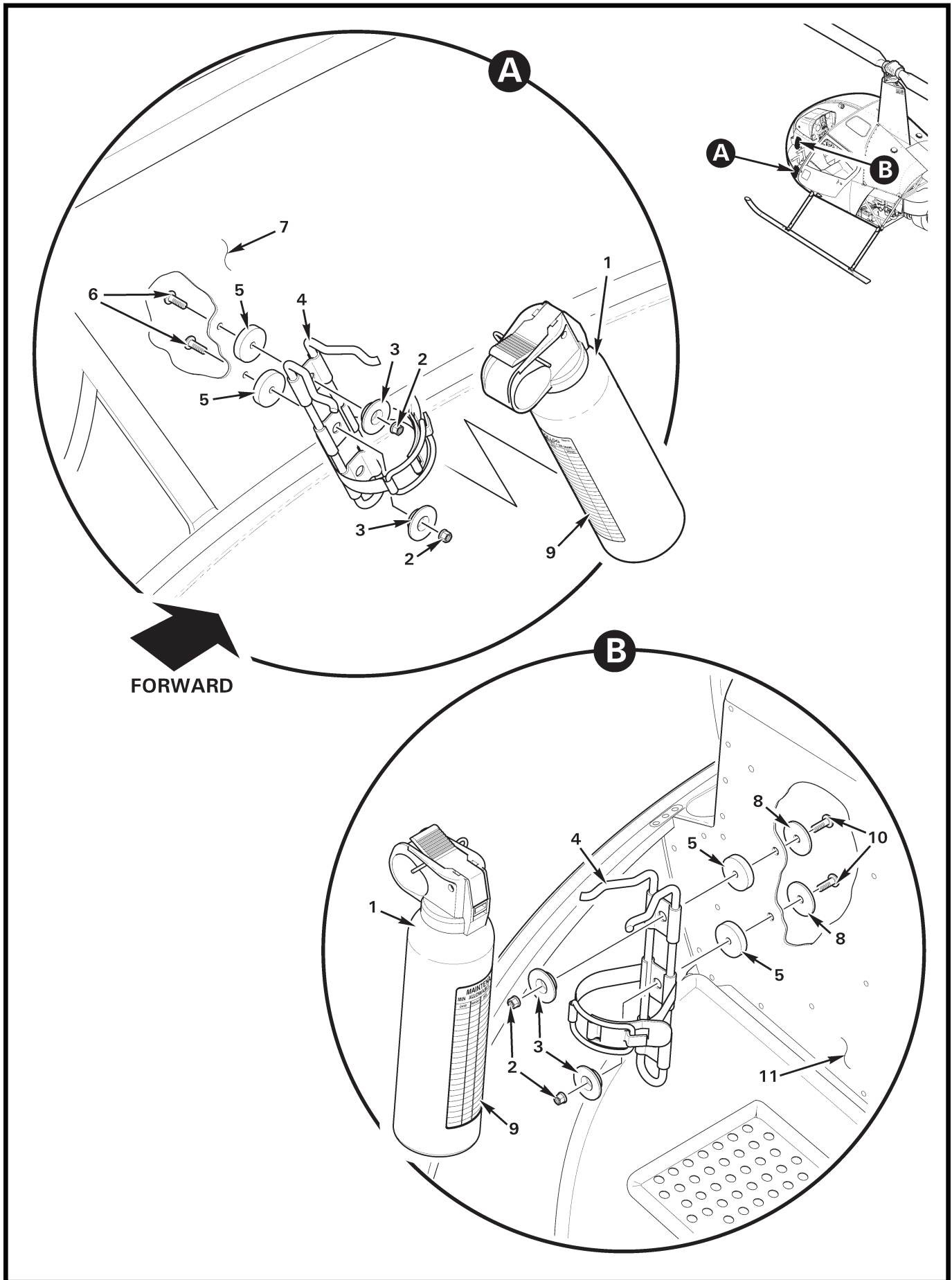


FIGURE AND INDEX NUMBER	PART NUMBER	DESCRIPTION	PARTS AVAIL	QTY PER ASSY
FIRE EXTINGUISHER INSTALLATION				
25-15-1	B381-1	Fire Extinguisher (halon, 14-oz)	X	1
2	MS21042L08	Nut	X	2
3	G220-1	Retainer	X	2
4	B381-3	Bracket	X	1
5	C130-54	Spacer	X	2
6	MS27039C0808	Screw (length as required)	X	2
7	—	Panel (LH, ref)		
8	AN970-3	Washer	X	2
9	G654-15	Decal "MAINTENANCE LOG MIN ALLOWABLE WEIGHT..." . .	X	1
10	MS27039C0808	Screw	X	2
11	A359	Panel (LH, Ref)		

NOTES

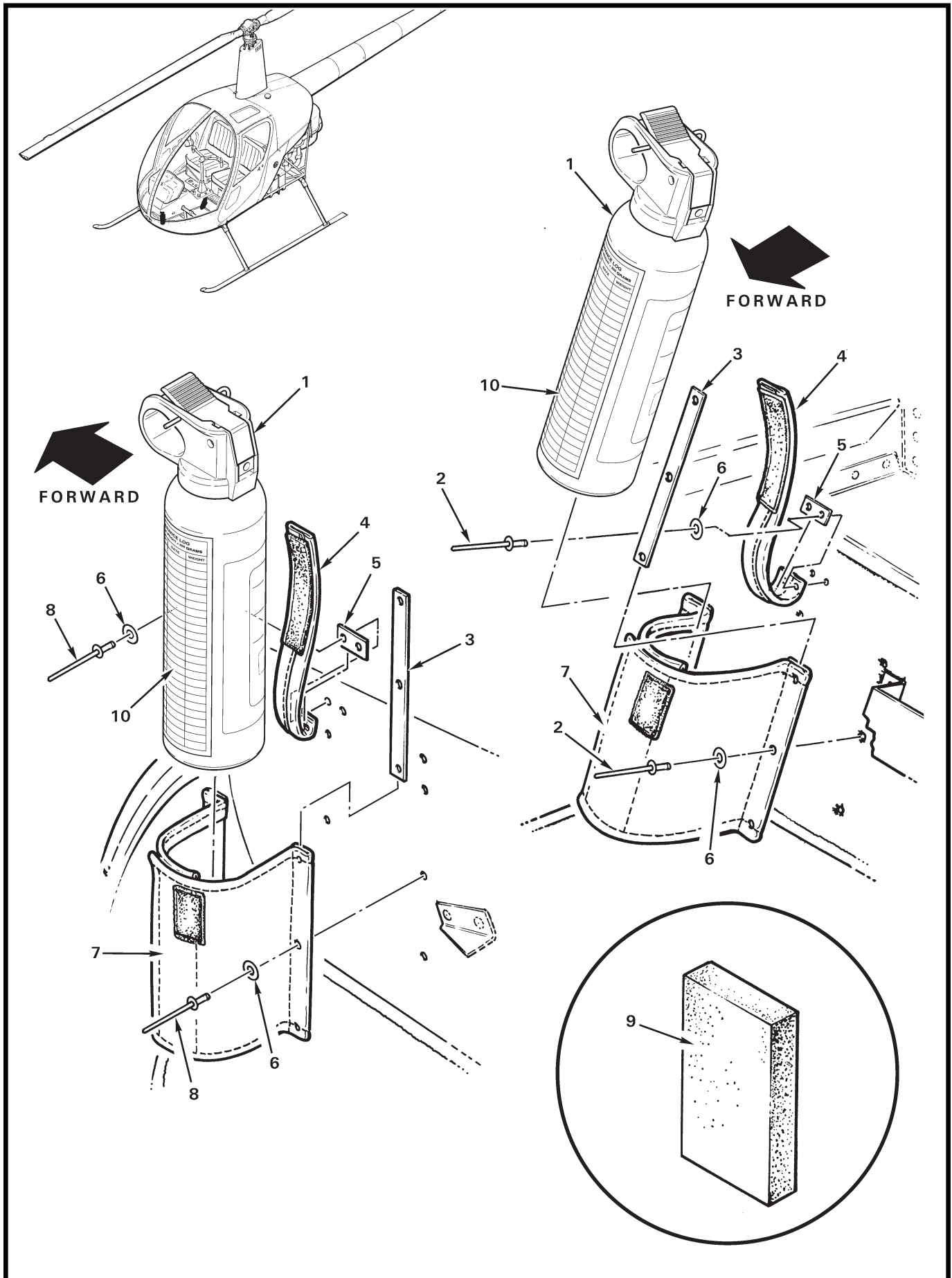


FIGURE AND INDEX NUMBER	PART NUMBER	DESCRIPTION	PARTS AVAIL	QTY PER ASSY
FIRE EXTINGUISHER INSTALLATION				
25-17-1	B381-1	Fire Extinguisher* (halon, 14-oz)	X	1
2	AD46BS	Rivet (aft installation)	X	8
3	A913-1	Strip	X	2
4	B219-4BL	Strap Assembly (blue)	O	1
	B219-4GR	Strap Assembly (gray)	X	1
	B219-4TN	Strap Assembly (tan)	X	1
5	A913-2	Strip	X	1
6	NAS1149FN616P	Washer	X	8
7	B219-3BL	Pocket Assembly (blue, 2-piece)	O	1
	B219-3GR	Pocket Assembly (gray, 2-piece)	X	1
	B219-3TN	Pocket Assembly (tan, 2-piece)	X	1
8	1693-0414	Rivet (forward installation)	X	8
9	B816-1 *	Spacer Pad	O	1
10	G654-15	Decal "MAINTENANCE LOG MIN ALLOWABLE WEIGHT..." ..	X	1

NOTES * For earlier R22s with one-piece pocket assembly.

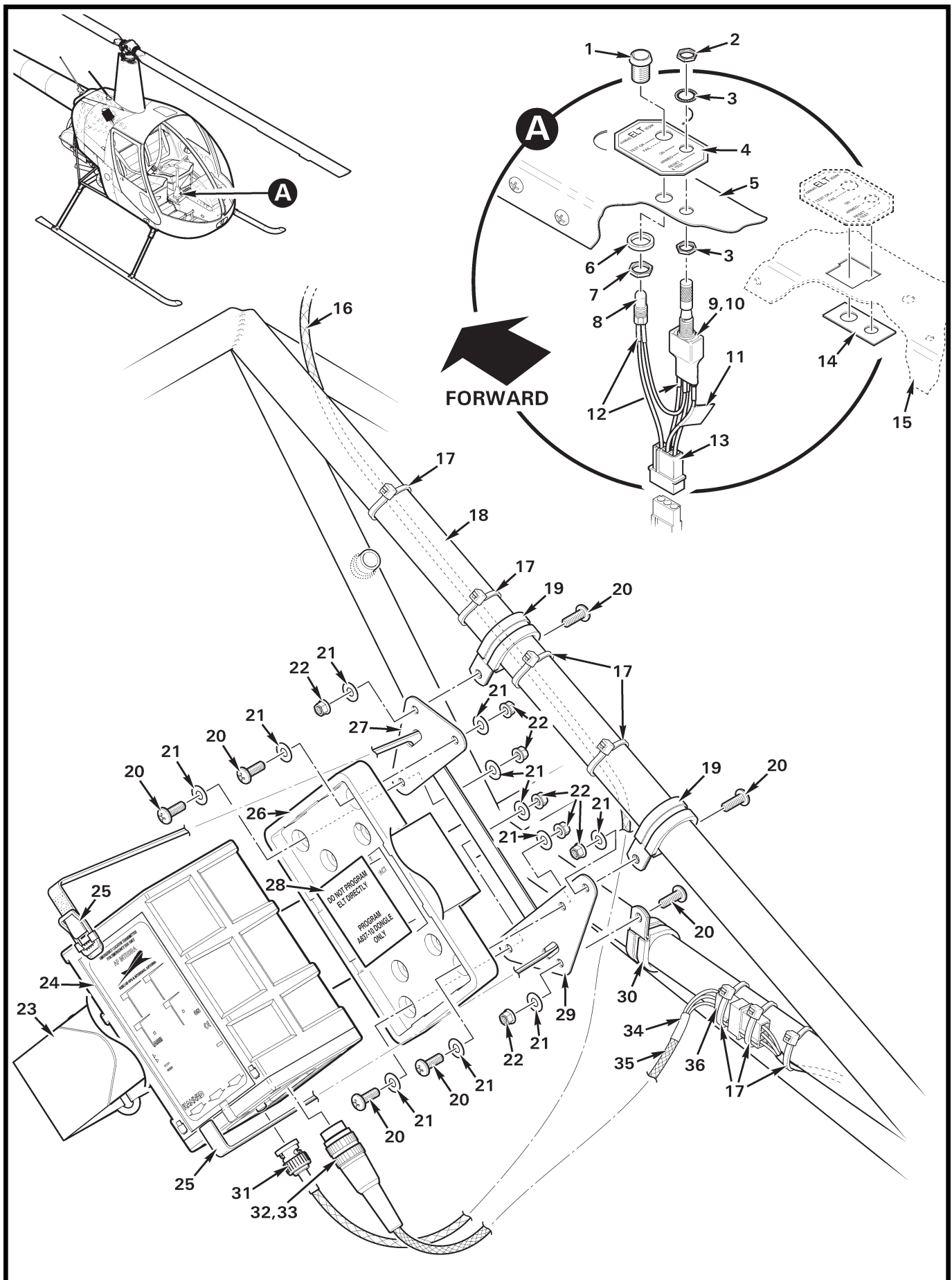


FIGURE AND INDEX NUMBER	PART NUMBER	DESCRIPTION	PARTS AVAIL	QTY PER ASSY
KANNAD ELT INSTALLATION*				
25-19-1	—	Mount – LED	O	1
2	—	Nut	O	1
3	—	Lockwasher	O	2
4	—	Panel (switch)	O	1
5	A444-11	Cover – Cyclic (Ref)		
	A444-13	Cover – Cyclic (Ref)		
6	—	Ring	O	1
7	—	Nut	O	1
8	—	LED (bi-polar, red)	O	1
9	—	Switch (remote control; 3-position, locking)	O	1
10	F837-3	Switch Assembly (includes items 1 thru 4, 6 thru 9, 11 thru 13, and wires)	X	1
11	—	Production Stamp	O	1
12	B158-1	Heat Shrink	X	A/R
13	B263-14	Housing	X	1
	B263-1	Pin	X	3
14	A837-3	Plate – Backing	X	1
15	A444-1	Cover – Cyclic (Ref)		
	A444-7	Cover – Cyclic (Ref)		
	A444-9	Cover – Cyclic (Ref)		
16	B274-518	Cable – Coaxial	X	A/R
17	MS3367-5-9	Ty-Rap	X	A/R
18	A020	Frame – Upper (Ref)		
19	MS21919WDG14	Clamp	X	2
20	MS27039C1-07	Screw	X	7
21	NAS1149F0316P	Washer	X	11
22	MS21042L3	Nut	X	7
23	—	Strap	O	1
24	S1851501-02	ELT Unit (model AF Integra)	O	1
25	D693-4	Strap Assembly	X	1
26	S1840502-01	Mounting Bracket	O	1
27	A837-12	Bracket	X	1
28	F654-25	Decal	X	1
29	A837-11	Bracket	X	1
30	MS21919WDG12	Clamp	X	1

NOTES * Kannad ELT model AF Integra.

Continues

FIGURE AND INDEX NUMBER	PART NUMBER	DESCRIPTION	PARTS AVAIL	QTY PER ASSY
KANNAD ELT INSTALLATION* (Cont'd)				
25-19-31	5225395-6	Plug (BNC; lead free)	X	1
32	A837-10	Harness Assembly (includes items 33 thru 36, and wires) . . .	X	1
33	S1820514-01	Dongle (requires programming)	O	1
34	B158-1	Heat Shrink	X	A/R
35	B266-4	Sleeving	X	A/R
36	B263-15	Housing	X	1
	B263-2	Socket	X	3

NOTES * Kannad ELT model AF Integra.

Intentionally Blank

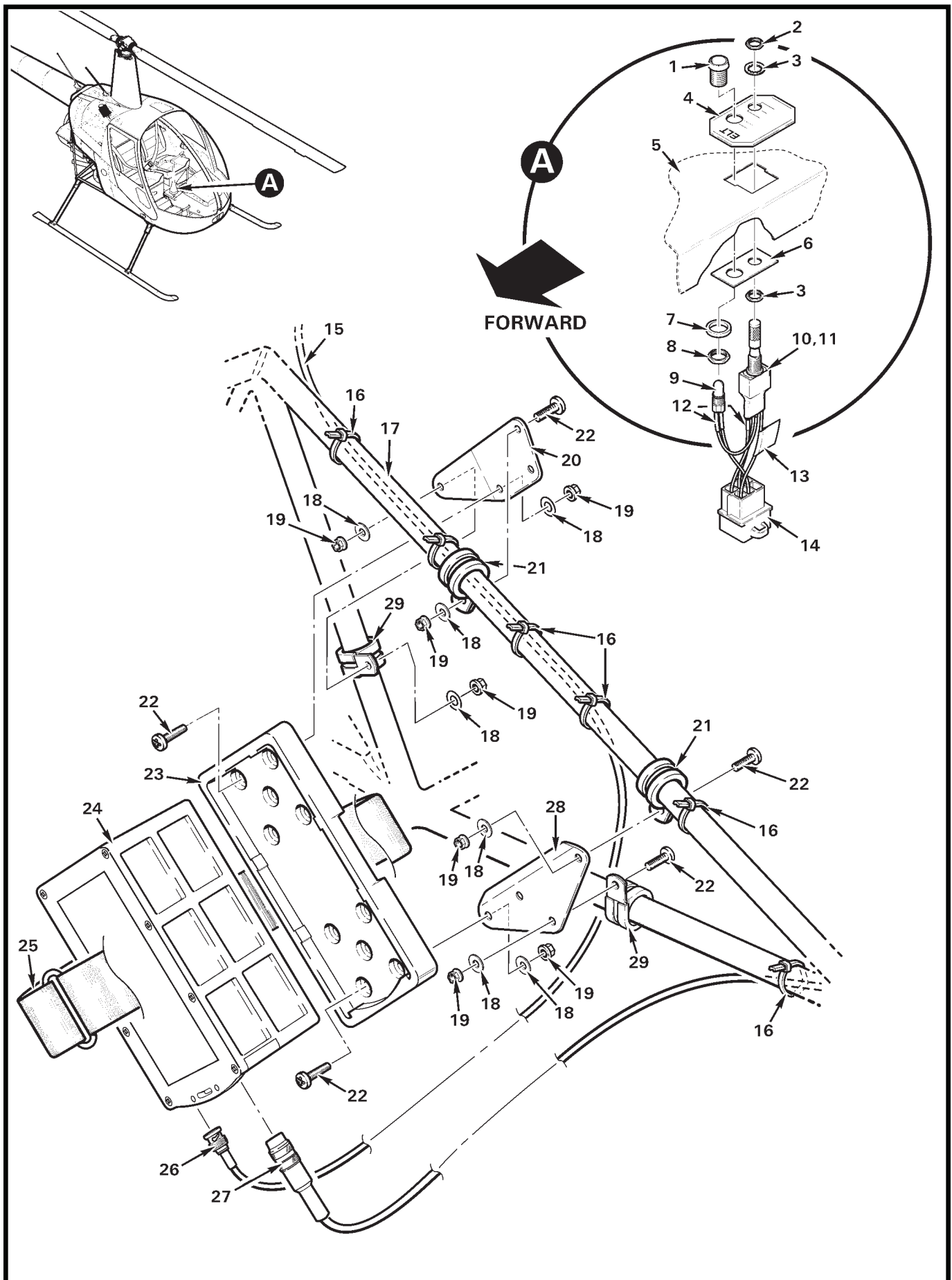


FIGURE AND INDEX NUMBER	PART NUMBER	DESCRIPTION	PARTS AVAIL	QTY PER ASSY
KANNAD ELT INSTALLATION*				
25-23-1	—	Mount – LED	O	1
2	—	Nut	O	2
3	—	Lockwasher	O	1
4	—	Panel (switch)	O	1
5	A444	Cover – Cyclic (Ref)		
6	A837-3	Plate – Backing	X	1
7	—	Ring	O	1
8	—	Nut	O	1
9	—	LED (bi-polar, red)	O	1
10	—	Switch (remote control; 3-position, locking)	O	1
11	A837-6	Switch Assembly (includes items 1 thru 4, 7 thru 10, 12 thru 14, and wires)	X	1
12	—	Production Stamp	O	1
13	B158-1	Heat Shrink	X	A/R
14	B263-18	Housing	X	1
	B263-1	Pin	X	4
15	B274-518	Cable – Coaxial	X	A/R
16	MS3367-5-9	Ty-Rap	X	A/R
17	A020	Frame – Upper (Ref)		
18	NAS1149F0316P	Washer	X	8
19	MS21042L3	Nut	X	8
20	A837-5	Bracket	X	1
21	MS21919WDG14	Clamp	X	2
22	MS27039C1-07	Screw	X	8
23	S1820511-01	Bracket – Mount (ELT)	O	1
24	S1821502-02	ELT Unit (model 406 AF)	O	1
25	—	Strap	O	1
26	225395-6	Plug (BNC)	X	1
27	S1820514-03	Connector	O	1
28	A837-4	Bracket	X	1
29	MS21919WDG12	Clamp	X	1

NOTES * Kannad ELT model 406 AF.

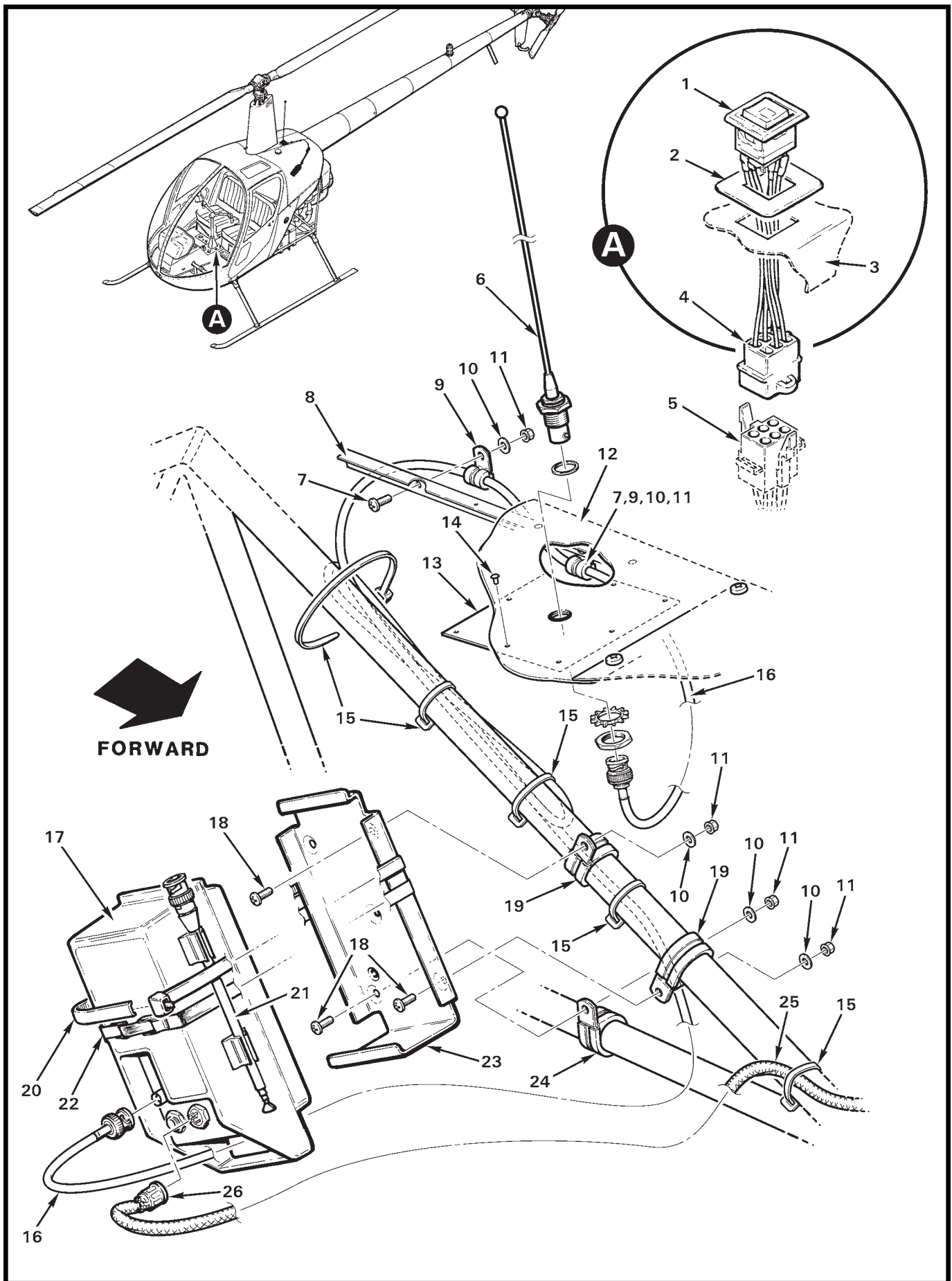


FIGURE AND INDEX NUMBER	PART NUMBER	DESCRIPTION	PARTS AVAIL	QTY PER ASSY
POINTER ELT INSTALLATION				
25-25-1	C830-1A	Switch Sub-Assembly ('On, Reset'; includes switch, wires, heat shrink, and pins)	X	1
2	—	Decal – “On, Reset” (included with item 17)	O	1
3	A444	Cover (Ref)		
4	B263-18	Connector	X	1
	B263-1	Pin	X	5
5	B263-19	Housing	X	1
	B263-2	Socket	X	5
6	3001*	Antenna (includes all hardware as shown)	O	1
7	MS27039C0806	Screw	X	2
8	B423-3	Stiffener (Ref)		
9	MS21919WDG3	Clamp	X	2
10	NAS1149FN816P	Washer	X	5
11	MS21042L08	Nut	X	5
12	B429	Skin (Ref)		
13	A830-3	Doubler	X	1
14	MS20470AD3	Rivet	X	8
15	MS3367-5-9	Ty-Rap	X	4
16	3002*	Cable (coax)	O	1
17	3000-10*	ELT Unit (U.S. and other areas except Canada)	O	1
	4000-10*	ELT Unit	O	1
18	MS27039C0807	Screw	X	3
19	MS21919WDG14	Clamp	X	2
20	B359-1	Ty-Rap	X	1
21	2006-10*	Antenna (secondary; telescopic)	O	1
22	—	Strap (supplied with unit)	O	1
23	2017*	Mounting Bracket	O	1
24	MS21919WDG12	Clamp	X	1
25	KI-89B	Wire Harness	X	1
26	126-223*	Connector	O	X
27	KI-79-1	ELT Field Installation Kit** (U.S. and other areas except Canada. Includes items 1, 2, 4, 6 thru 16, 17 [3000-10], 18 thru 21, 23, and 24; no longer available.)	O	1
	KI-79-2	ELT Field Installation Kit** (Canada only. Includes items 1, 2, 4, 6 thru 16, 17 [4000-10], 18 thru 21, 23, and 24; no longer available.)	O	1

NOTES * Pointer part no.
 ** Requires tailcone-mounted COM antenna. Order KI-5 kit to relocate antenna (see Figure 6-25).

Continues

FIGURE AND INDEX NUMBER	PART NUMBER	DESCRIPTION	PARTS AVAIL	QTY PER ASSY
<p>POINTER ELT INSTALLATION (Cont'd)</p>				
25-25-28	KI-89	ELT Remote Switch Installation Kit (Includes items 2, 4, 5, 25, and 29 thru 31; no longer available. Not shown.)	O	1
	29 B260-3	Terminal	X	1
	30 B261-2	Splice	X	1
	31 MS3367-5-9	Ty-Rap	X	20
<p>NOTES</p>				