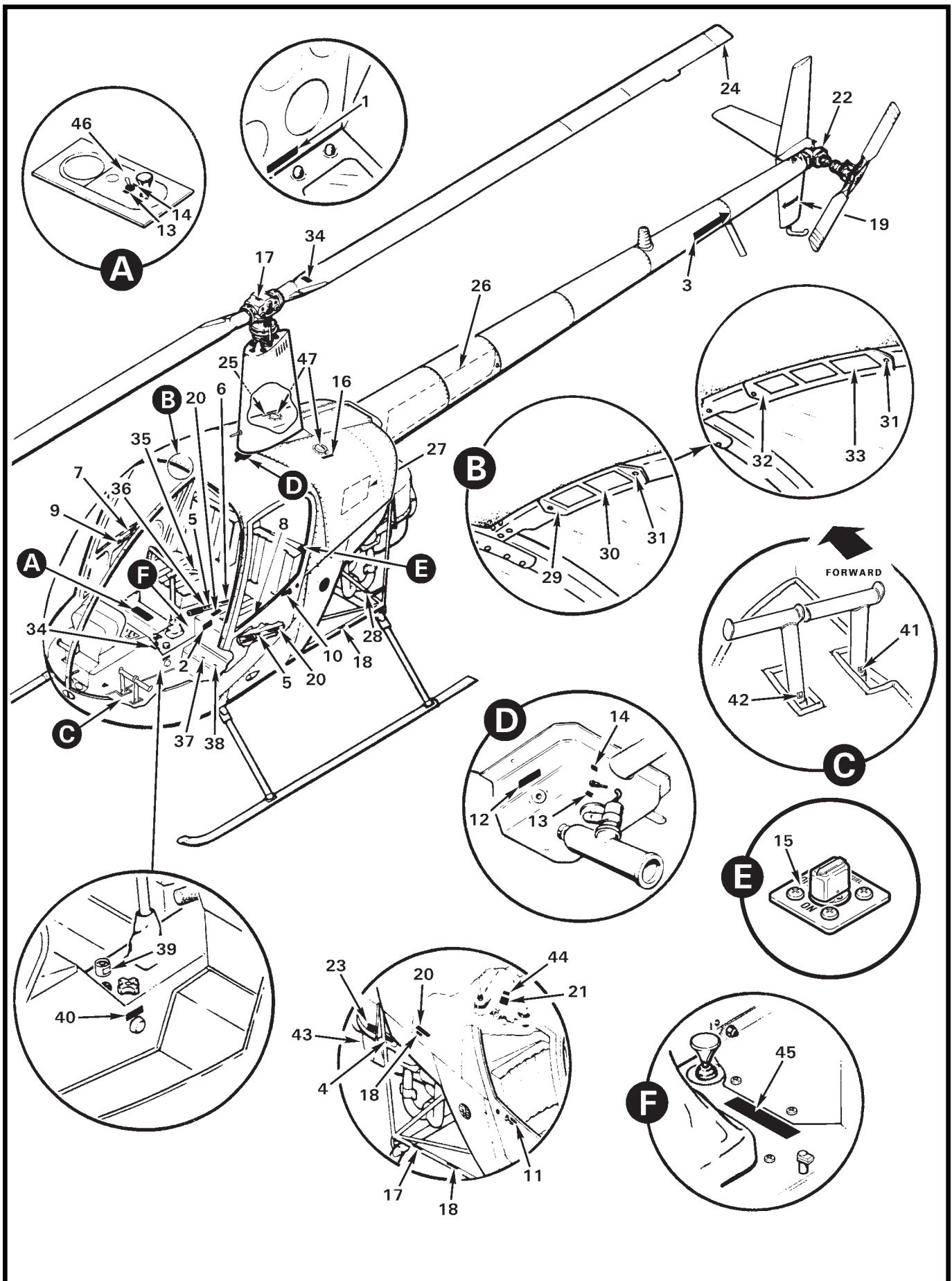


CHAPTER 11

PLACARDS AND MARKINGS

| <i>Figure</i> | <i>Title</i> | <i>Page</i> | |
|---------------|--|-------------|---|
| 11-1 | Placards and Markings | 11.0 | |
| 11-7 | Placards and Markings (Japanese) | 11.6 | I |



| FIGURE AND INDEX NUMBER | PART NUMBER | DESCRIPTION | PARTS AVAIL | QTY PER ASSY |
|-------------------------------|-------------|--|-------------|--------------|
| PLACARDS AND MARKINGS* | | | | |
| 11-1-1 | A743-1 ** | Call Letters Plate (instrument console) | X | 1 |
| 2 | A654-2 | Decal – “Caution...” (baggage compartment) | X | 2 |
| | B841-11 | Brazilian Version | X | 2 |
| | B842-36 | Chinese Version | X | 2 |
| | B830-34 | Russian Version | X | 2 |
| 3 | A654-3 | Decal – Tail Rotor “Danger” Arrow | X | 2 |
| | B841-12 | Brazilian Version | X | 2 |
| | B842-11 | Chinese Version | X | 2 |
| | B830-22 | Russian Version | X | 2 |
| 4 | A654-38 | Decal – “Push to Open” (oil cooler door) | X | 1 |
| | B841-25 | Brazilian Version | X | 1 |
| | B830-47 | Russian Version | X | 1 |
| 5 | A654-6 | Decal – “Throttle Open” (collective) | X | 2 |
| 6 | A654-7 | Decal – “Friction Increase” (collective) | X | 1 |
| 7 | A654-8 | Decal – “Latch” (door) | X | 2 |
| | B841-13 | Brazilian Version | X | 2 |
| | B842-37 | Chinese Version | X | 2 |
| | B830-33 | Russian Version | X | 2 |
| 8 | A654-9 | Decal – “Open” (white letters; LH, inside) | X | 1 |
| | B841-14 | Brazilian Version | X | 1 |
| | B842-12 | Chinese Version | X | 1 |
| | B830-24 | Russian Version (Red letters on white background; LH, inside; RH outside.) | X | 2 |
| 9 | A654-10 | Decal – “Open” (white letters; RH, inside) | X | 1 |
| | B841-15 | Brazilian Version | X | 1 |
| | B842-13 | Chinese Version | X | 1 |
| | B830-25 | Russian Version (Red letters on white background; RH, inside; LH outside.) | X | 2 |
| 10 | A654-11 | Decal – “Open” (black letters; LH, outside) | X | 1 |
| | B841-16 | Brazilian Version | X | 1 |
| | B842-14 | Chinese Version | X | 1 |
| 11 | A654-12 | Decal – “Open” (black letters; RH, outside) | X | 1 |
| | B841-17 | Brazilian Version | X | 1 |
| | B842-15 | Chinese Version | X | 2 |
| 12 | A654-16 | Decal – “Headset” | X | 2 |

NOTES * Country specific decals available only to dealers in noted country.
 ** Customer to specify Letters/Numbers.

Continues

| FIGURE AND INDEX NUMBER | PART NUMBER | DESCRIPTION | PARTS AVAIL | QTY PER ASSY |
|---------------------------------|-------------|--|-------------|--------------|
| PLACARDS AND MARKINGS* (Cont'd) | | | | |
| 11-1-13 | A654-13 | Decal – “Off” (fuel, heater, spotlight) | X | 3 |
| 14 | A654-15 | Decal – “On” (fuel, heater, spotlight) | X | 3 |
| 15 | A798-3 | Plate – Fuel Valve | X | 1 |
| 16 | C654-3 | Decal – Fuel Fill (100 octane) | X | 1 |
| | B841-40 | Brazilian Version | X | 1 |
| | B842-48 | Chinese Version | X | 1 |
| | C654-4** | Decal – Fuel Fill (100 octane) | X | 1 |
| | B841-41 | Brazilian Version | X | 1 |
| | B842-49 | Chinese Version | X | 2 |
| | A654-1 | Decal – Fuel Fill (80/87 octane, O-320-A2B or -A2C engine) . . | X | 1 |
| | A654-75** | Decal – Fuel Fill (80/87 octane, O-320-A2B or -A2C engine) . . | X | 1 |
| | A654-40 | Decal – Fuel Fill (91/96 octane) | X | 1 |
| | A654-76** | Decal – Fuel Fill (91/96 octane) | X | 1 |
| 17 | A654-18 | Decal – “Level Here” | X | 2 |
| | B841-19 | Brazilian Version | X | 2 |
| 18 | A654-19 | Decal – “No Step” | X | 3 |
| | B841-20 | Brazilian Version | X | 3 |
| | B830-41 | Russian Version | X | 3 |
| 19 | A654-80 | Decal – “Danger” Arrow (LH and/or RH) | X | 2 |
| | B842-44 | Chinese Version | X | 2 |
| | B830-21 | Russian Version | X | 2 |
| 20 | A654-21 | Decal – “No Stowage Keep Area Clear” | X | 4 |
| | B841-21 | Brazilian Version | X | 4 |
| | B842-17 | Chinese Version | X | 4 |
| | B830-50 | Russian Version | X | 4 |
| 21 | A654-56 | Decal – M.R.G.B. Fill and Oil Specs | X | 1 |
| 22 | A654-23 | Decal – Tail Rotor and Oil Data | X | 1 |
| 23 | A654-24 | Decal – “Danger Hot Exhaust” | X | 1 |
| | B841-22 | Brazilian Version | X | 1 |
| | B842-43 | Chinese Version | X | 1 |
| | B830-48 | Russian Version | X | 1 |
| 24 | A654-25 | Decal – “Never Pull Down” (main rotor blade) | X | 2 |
| | B842-18 | Chinese Version | X | 2 |
| | B830-61 | Russian Version | X | 2 |

NOTES * Country specific decals available only to dealers in noted country.
 ** For dark colored ships.

Continues

| FIGURE AND INDEX NUMBER | PART NUMBER | DESCRIPTION | PARTS AVAIL | QTY PER ASSY |
|---------------------------------|-------------|--|-------------|--------------|
| PLACARDS AND MARKINGS* (Cont'd) | | | | |
| 11-1-25 | C654-5 | Decal – Fuel Fill (100 octane; aux fuel tank) | X | 1 |
| | B841-42 | Brazilian Version | X | 1 |
| | B842-47 | Chinese Version | X | 1 |
| | C654-6** | Decal – Fuel Fill (100 octane; aux fuel tank) | X | 1 |
| | B841-43 | Brazilian Version | X | 1 |
| | B842-52 | Chinese Version | X | 1 |
| | A654-57 | Decal – Fuel Fill (91/96 octane; aux fuel tank) | X | 1 |
| | A654-77** | Decal – Fuel Fill (91/96 octane; aux fuel tank) | X | 1 |
| 26 | R5049*** | Decal – Registration Letters/Numbers | X | A/R |
| | R5378*** | Stencil – Registration Letters/Numbers | X | A/R |
| 27 | R5051 | Decal – “R22 Alpha” (stencil set, RH and LH) | X | 1 |
| | R5052 | Decal – “R22 Beta” (stencil set, RH and LH) | X | 1 |
| | R5053 | Decal – “R22 HP” (stencil set, RH and LH) | X | 1 |
| | R22BETA2 | Decal – “R22 Beta II” (stencil set, RH and LH) | X | 1 |
| | R22MARINER2 | Decal – “R22 Mariner II” (stencil set, RH and LH) | X | 1 |
| 28 | A654-30 | Decal – “Step Here” | X | 1 |
| | B841-24 | Brazilian Version | X | 1 |
| 29 | A725-1 | Mount – MAP Limits Decal (2-graph) | X | 1 |
| 30 | A654-29 | Decal – Flight Limitations (Ref; used on Standard, no longer available) | | |
| | A654-41 | Decal – Flight Limitations (used on HP and Alpha) | X | 1 |
| | A654-64 | Decal – Flight Limitations (used on Beta) | X | 1 |
| | A654-90 | Decal – Flight Limitations (used on Beta II) | X | 1 |
| | B204-2 | Blind Rivet | X | 2 |
| 32 | A725-2 | Mount – MAP Limits Decal (3-graph, used on Mariner) | X | 1 |
| 33 | A654-65 | Decal – MAP Limits (131 hp Takeoff, used on Mariner) | X | 1 |
| | A654-91 | Decal – Flight Limitations (used on Mariner II) | X | 1 |
| 34 | A654-44 | Decal – “Tip Weights Installed” ([1] decal on console and [1] decal on underside of each main rotor blade) | X | 3 |
| 35 | A654-43 | Decal – “Solo From Right Seat Only” | X | 1 |
| 36 | A654-79 | Decal – “Gov, On-Off” (see also Figure 96-21) | X | 1 |
| 37 | A654-14 | Decal – “DME” | X | 1 |
| 38 | A654-70 | Decal – “Gov” (earlier R22s; see also Figure 96-21) | X | 1 |
| 39 | A654-45 | Decal – “Mixture Control Guard” | X | 1 |
| 40 | A654-63 | Decal – Cyclic Trim Adjust | X | 1 |

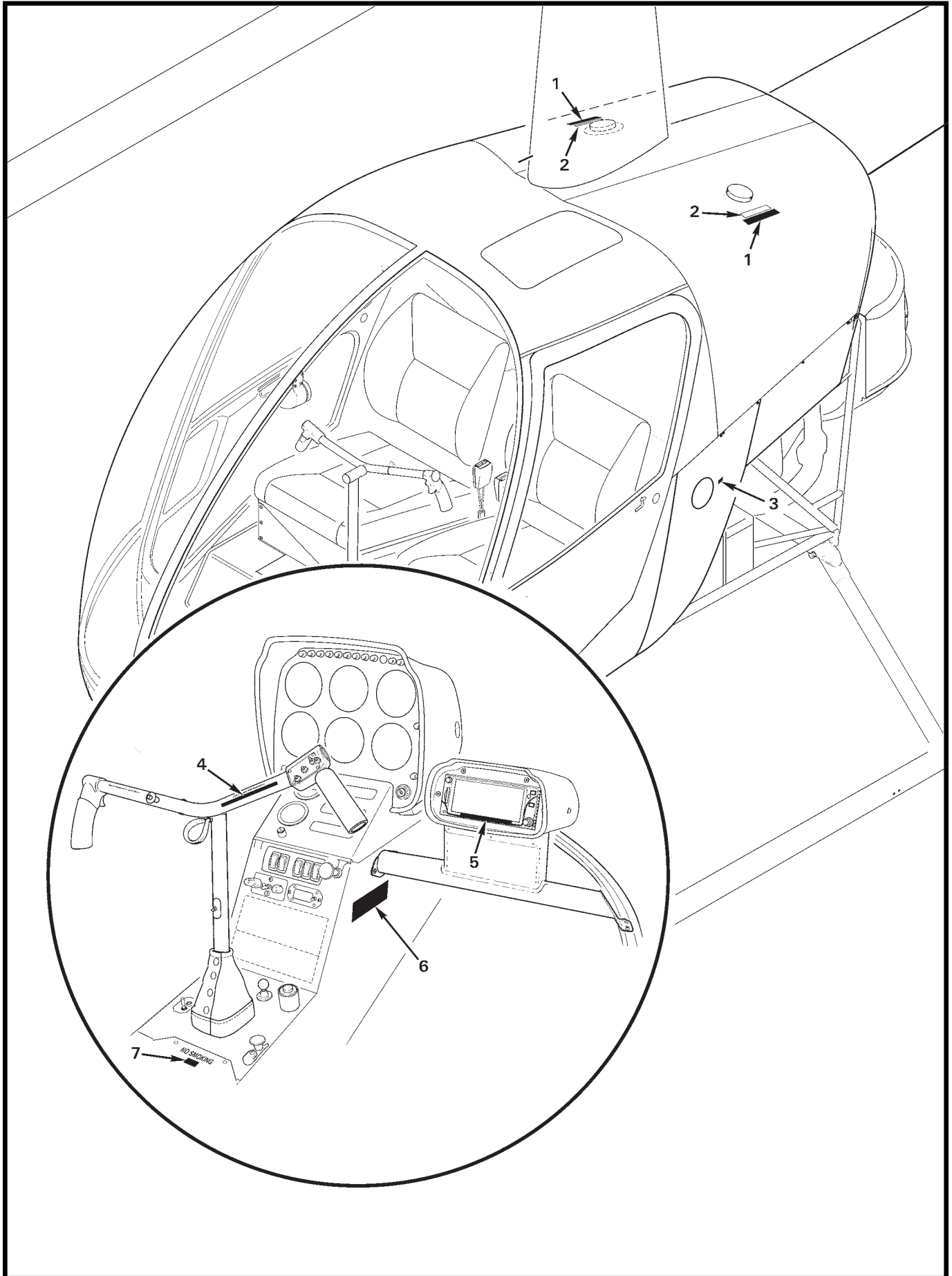
NOTES * Country specific decals available only to dealers in noted country.
 ** For dark colored ships.
 *** Customer to Specify Letters/Numbers.

Continues

| FIGURE AND INDEX NUMBER | PART NUMBER | DESCRIPTION | PARTS AVAIL | QTY PER ASSY |
|---------------------------------|-------------|--|-------------|--------------|
| PLACARDS AND MARKINGS* (Cont'd) | | | | |
| 11-1-41 | A654-51 | Decal – "R" (removable right pedal) | X | 1 |
| 42 | A654-50 | Decal – "L" (removable left pedal) | X | 1 |
| 43 | A654-37 | Decal – "R22 Robinson Helicopter" | X | 1 |
| 44 | F110-4 | Telatemp (temperature recorder 220° – 270°F) | X | 1 |
| 45 | A654-61 | Decal – Flight Limitations (used on Mariner) | X | 1 |
| 46 | B170-1 | Data Plate – Cabin Heat (replaces all heater decals) | X | 1 |
| 47 | D682-44 | Decal (fuel cap instructions) | X | 2 |
| | B841-36 | Brazilian Version | X | 2 |

NOTES * Country specific decals available only to dealers in noted country.

Intentionally Blank



| FIGURE AND INDEX NUMBER | PART NUMBER | DESCRIPTION | PARTS AVAIL | QTY PER ASSY |
|--|-------------|--|-------------|--------------|
| PLACARDS AND MARKINGS (JAPANESE)* | | | | |
| 11-7-1 | B840-10** | Decal – Fuel Grade (Japanese version of item 2; white lettering) | X | 2 |
| | B840-11** | Decal – Fuel Grade (Japanese version of item 2) | X | 2 |
| | B840-12*** | Decal – Fuel Grade (Japanese version of item 2; white lettering) | X | 2 |
| | B840-13*** | Decal – Fuel Grade (Japanese version of item 2) | X | 2 |
| 2 | A654-40 | Decal – Fuel Grade (Ref, main tank) | | |
| | A654-57 | Decal – Fuel Grade (Ref, aux tank) | | |
| 3 | B840-21 | Decal – Engine Oil (white lettering) | X | A/R |
| | B840-22 | Decal – Engine Oil | X | A/R |
| 4 | B840-19 | Decal – Low-G Pushovers Prohibited (Japanese version) | X | 1 |
| 5 | B840-23 | Decal – This GPS is Approved for VFR Only (Japanese Version) | X | 1 |
| 6 | B840-17 | Decal – Flight Limitations (Japanese version) | X | 1 |
| | B840-18 | Decal – Flight Limitations (Mariner; Japanese version) | X | 1 |
| 7 | B840-16 | Decal – No Smoking (Japanese version) | X | 1 |

NOTES * Country specific decals available only to dealers in noted country.
 ** Standard R22 with O-320-A2B or O-320-B2C engines.
 *** R22 Alpha, Beta, Mariner or Standard R22 with O-320-B2C engine.

Intentionally Blank