

CHAPTER 10  
PARKING AND STORAGE

<i>Figure</i>	<i>Title</i>	<i>Page</i>
10-1	Main Rotor Blade Tie-Downs . . . . .	10.0
10-3	Cabin Cover . . . . .	10.2
10-5	Tie-Down Installation . . . . .	10.4
10-7	Hardpoint Hinge and Tie-Down Ring Installations . . . . .	10.6
10-9	Mariner Accessories . . . . .	10.8

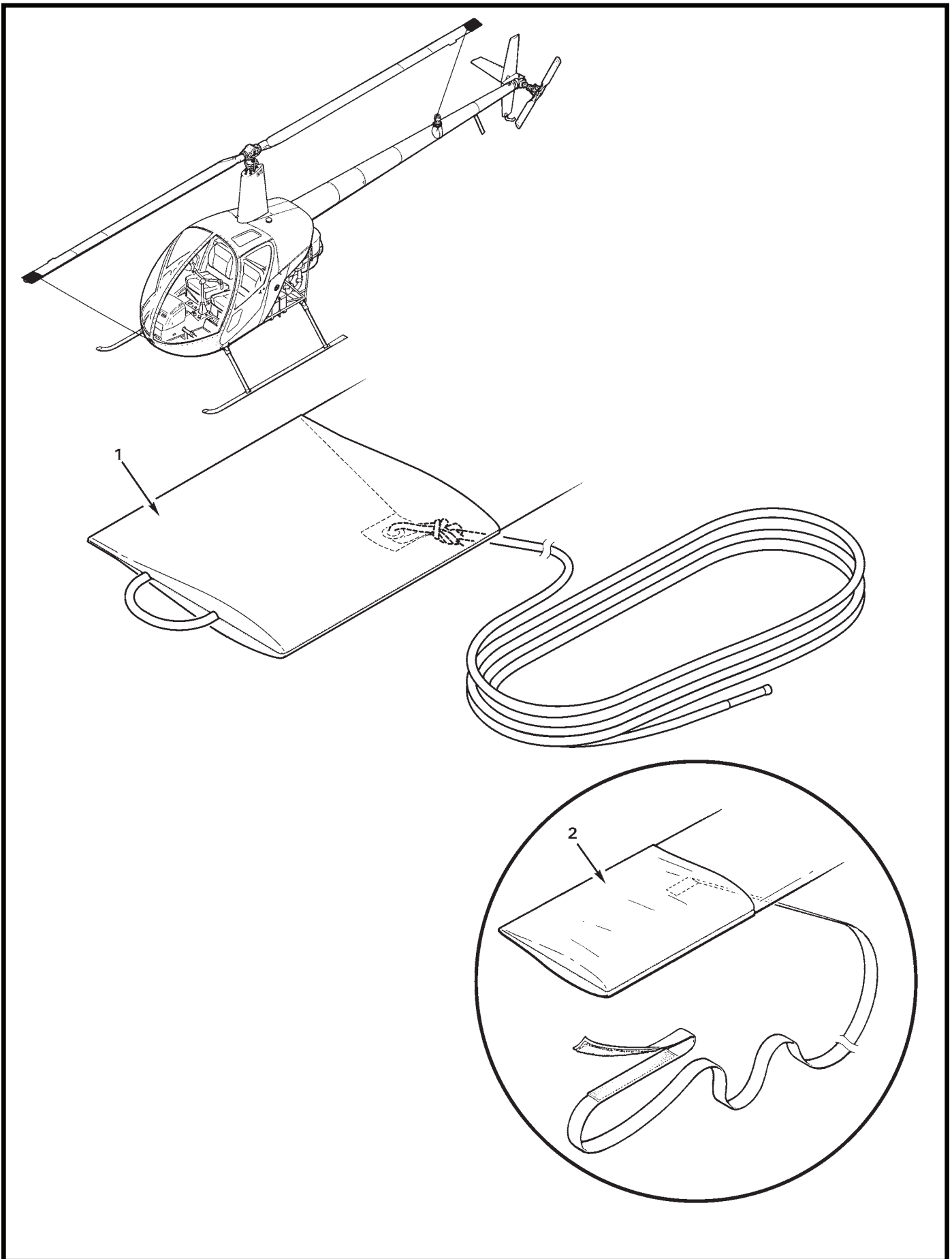


FIGURE AND INDEX NUMBER	PART NUMBER	DESCRIPTION	PARTS AVAIL	QTY PER ASSY
10-1-1	MT290-1	<p style="text-align: center;">MAIN ROTOR BLADE TIE-DOWNS</p> <p>Main Rotor Blade Tie-Down (revision "H" and subsequent, nylon rope) . . . . .</p>	X	2
	MT290-1	<p>Main Rotor Blade Tie-Down (Ref, revision "G" and prior, nylon webbing with hook-and-loop tape.) . . . . .</p>	O	2
NOTES				

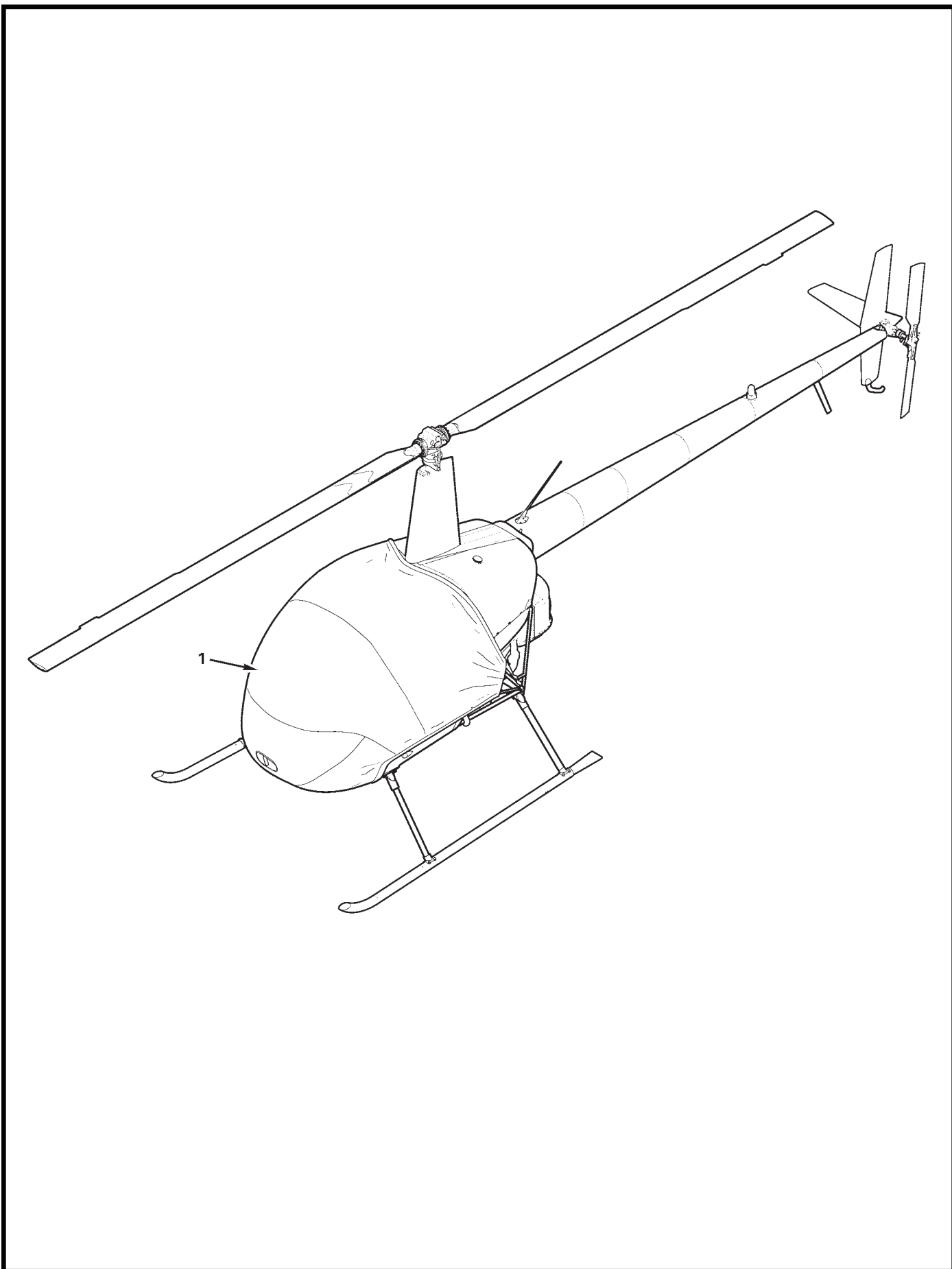


FIGURE AND INDEX NUMBER	PART NUMBER	DESCRIPTION	PARTS AVAIL	QTY PER ASSY
10-3-1	BCC-R22-000	Cover – Windshield . . . . .	X	1
	BCC-R22-700	Cover – Tuna Boat (Includes extended windshield cover, main rotor blade covers, tail rotor cover, main rotor hub cover, and engine cover. Not shown.) . . . . .	X	1

NOTES

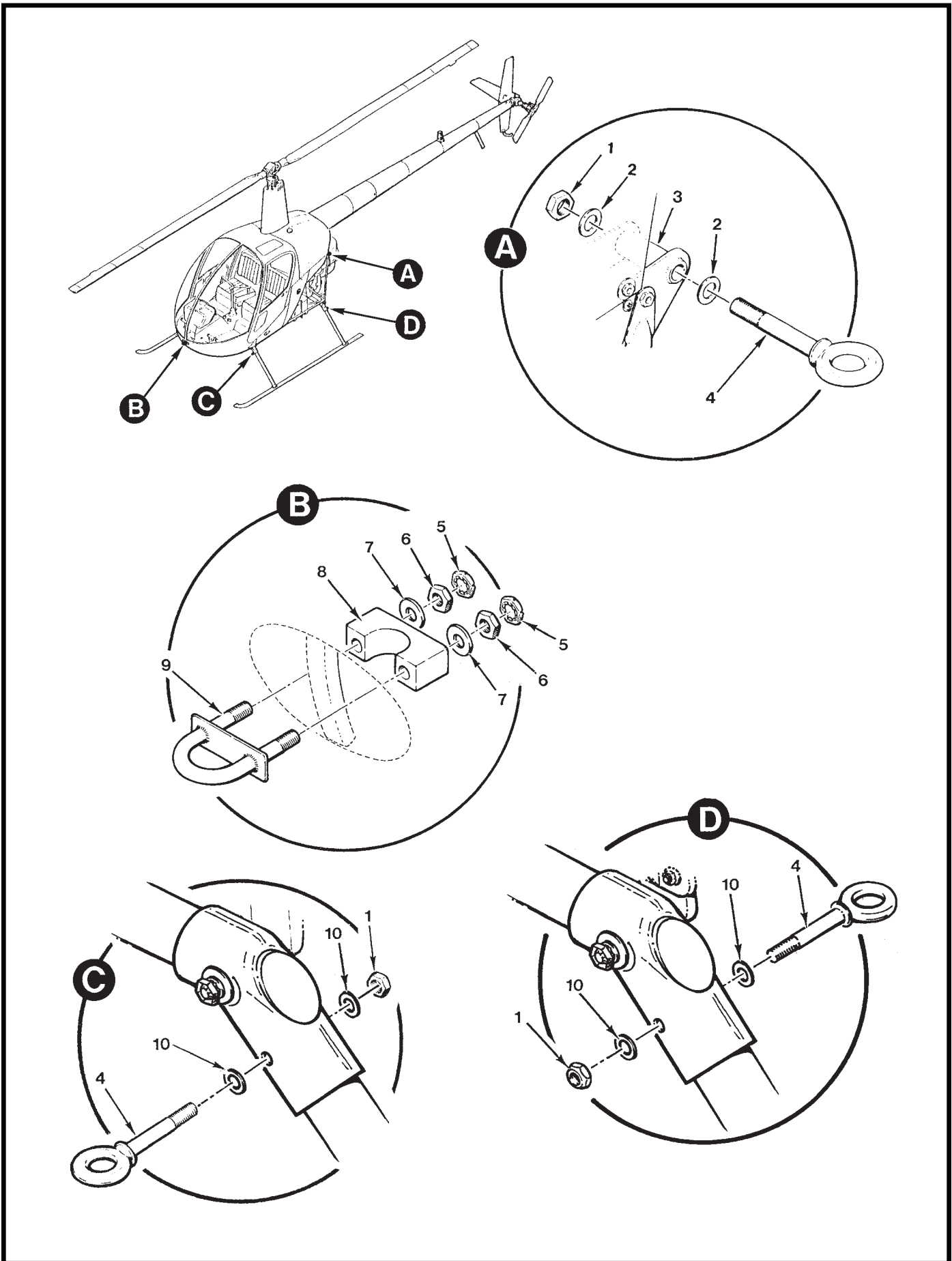


FIGURE AND INDEX NUMBER	PART NUMBER	DESCRIPTION	PARTS AVAIL	QTY PER ASSY
<b>TIE-DOWN INSTALLATION</b>				
10-5-1	21FKF-616	Nut (or 27FKF-616) . . . . .	X	4
2	NAS1149F0663P	Washer . . . . .	X	4
3	A047-1	Upper Frame Assembly (Ref, see also Figure 53-9)		
4	A964-2	Eyebolt . . . . .	X	4
5	B330-16	Palnut . . . . .	X	2
6	AN316C5R	Nut . . . . .	X	2
7	NAS1149F0532P	Washer . . . . .	X	2
8	A969-4	Brace . . . . .	X	1
9	A969-5	U-Bolt Assembly . . . . .	X	1
10	NAS1149F0632P	Washer . . . . .	X	A/R
* * *				
11	B124-2	Tie-Down – Field Installation (For R22s with A020-2 Frame Assembly. Includes items 1, 4, 5, 6, 7 [2], 8, 9, and 10 [8].) . . . . .	X	1
<b>NOTES</b>				

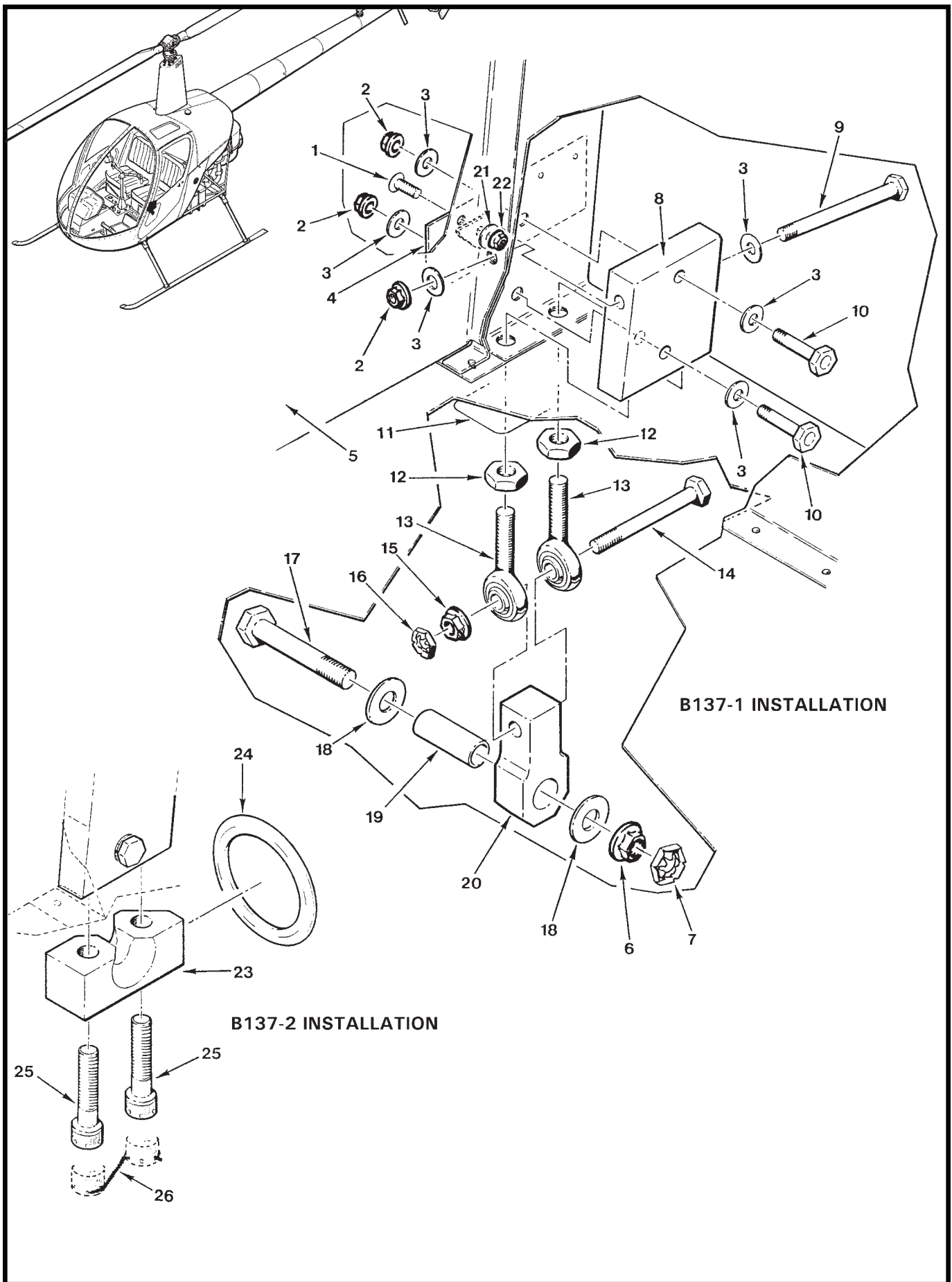




FIGURE AND INDEX NUMBER	PART NUMBER	DESCRIPTION	PARTS AVAIL	QTY PER ASSY
<b>HARDPOINT HINGE AND TIE-DOWN RING INSTALLATIONS</b>				
10-7-1	MS27039C0806	Screw . . . . .	X	1
2	D210-3	Nut . . . . .	X	3
3	NAS1149F0332P	Washer . . . . .	X	6
4	B135-1	Doubler . . . . .	X	1
5	A292-1	Keel Panel (Ref)		
6	D210-6	Nut . . . . .	X	1
7	B330-19	Palnut . . . . .	X	1
8	B134-2	Block . . . . .	X	1
9	NAS6603-29	Bolt . . . . .	X	1
10	NAS6603-9	Bolt . . . . .	X	2
11	A654-55	Decal (load limit) . . . . .	X	1
12	AN316-5R	Nut . . . . .	X	2
13	A101-4	Rod End . . . . .	X	2
14	NAS6604-24	Bolt . . . . .	X	1
15	D210-4	Nut . . . . .	X	1
16	B330-13	Palnut . . . . .	X	1
17	NAS6606-17	Bolt . . . . .	X	1
18	A214-1	Washer . . . . .	X	2
19	B139-1	Journal . . . . .	X	1
20	B136-2	Support . . . . .	X	1
21	NAS1149FN816P	Washer . . . . .	X	1
22	MS21042L08	Nut . . . . .	X	1
23	B253-1	Anchor . . . . .	X	1
24	3779T43	Ring . . . . .	X	1
25	NAS1351-5H-20P	Cap Screw . . . . .	X	2
26	MS20995C32	0.032-inch dia Safety Wire . . . . .	X	A/R
* * *				
27	MT350-1	Drill Guide (not shown.) . . . . .	X	1
28	M39-0630-10	Clip (Hole plug; install when not in use. Not shown.) . . . . .	X	2
<b>NOTES</b>				

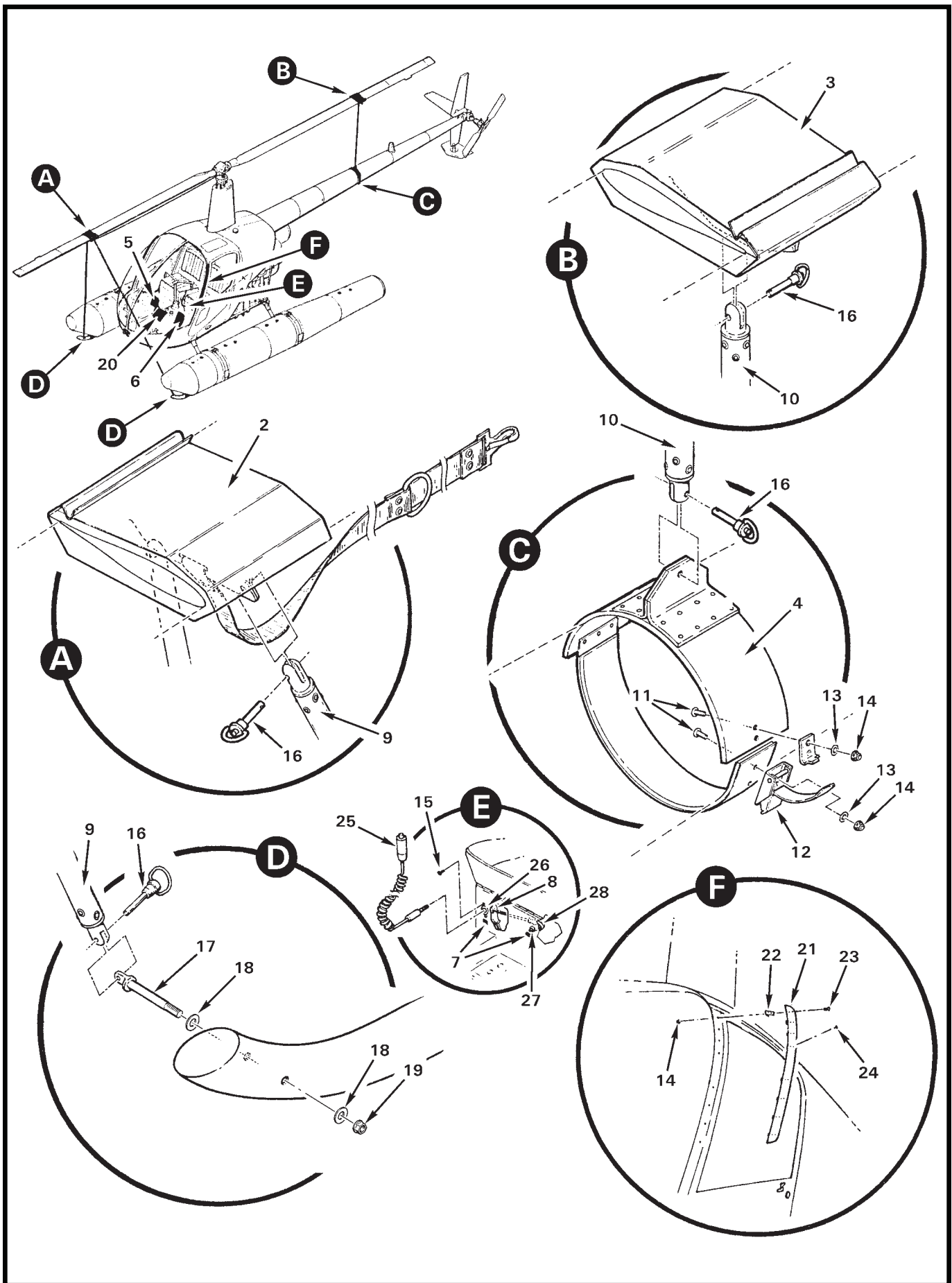


FIGURE AND INDEX NUMBER	PART NUMBER	DESCRIPTION	PARTS AVAIL	QTY PER ASSY
<b>MARINER ACCESSORIES</b>				
10-9-1	MT349-1	Main Rotor Blade Support Assembly (includes MT349-2 and MT349-3 support assemblies) . . . . .	X	1
	MT349-2	Support Assembly – Aft (Incl items 3, 4, 10, and 16) . . . . .	X	1
	MT349-3	Support Assembly – Forward (Incl items 2, 9, and 16) . . . . .	X	1
2	MT346-1*	Cradle Assembly (forward blade) . . . . .	X	1
3	MT346-2*	Cradle Assembly (aft blade) . . . . .	X	1
4	MT348-1*	Clamp Assembly (Incl items 11 thru 14) . . . . .	X	1
5	363X*	Vega Radar Transponder . . . . .	O	1
6	IC-3230A*	ICOM 2 Meter FM Transceiver . . . . .	O	1
7	A654-86	Decal – “Transmit” . . . . .	X	2
8	MS25171-2S	Nipple . . . . .	X	1
9	MT347-5*	Strut Assembly . . . . .	X	2
10	MT347-4*	Strut Assembly . . . . .	X	1
11	MS27039C0806	Screw . . . . .	X	3
12	97-51-215-12	Latch (includes lug) . . . . .	X	1
13	NAS1149FN816P	Washer . . . . .	X	3
14	MS21042L08	Nut . . . . .	X	20
15	MS35206-215	Screw . . . . .	X	2
16	92384A034	Pin . . . . .	X	6
17	B218-1	Eyebolt (alternate part no. AN44-24A) . . . . .	X	2
18	NAS1149F0532P	Washer . . . . .	X	4
19	MS21042L5	Nut . . . . .	X	2
20	IC M55*	ICOM Marine VHF Transceiver (or IC M56*) . . . . .	O	1
	B225	Face – Avionics (Ref)		
21	B228-1*	Wind Deflector (LH or RH) . . . . .	X	2
22	B228-2*	Angle . . . . .	X	16
23	MS27039C0808	Screw . . . . .	X	16
24	MS20470AD4	Rivet (to attach angle) . . . . .	X	32
25	B121-1*	Remote Transmit Switch . . . . .	X	1
26	TJ-120	Jack . . . . .	X	1
27	B227-2	Switch . . . . .	X	1
28	MS25171-1S	Nipple . . . . .	X	1

NOTES \* Tuna spotter accessory.

Intentionally Blank