

CHAPTER 32
LANDING GEAR

<u>Figure</u>	<u>Title</u>	<u>Page</u>
32-1	Landing Gear Assembly	32.0
32-5	Strut Fairing Assembly	32.4
32-7	Pop-Out Floats – Cylinder Assembly Installation	32.6
32-9	Pop-Out Floats – Lever Assembly	32.8
32-11	Pop-Out Floats – Float Assembly Installation	32.10
32-15	Pop-Out Floats – Hose Assembly Installation	32.14
32-17	Pop-Out Floats – Float Assembly and Hose Assembly	32.16
32-19	Skid Step Installation	32.18

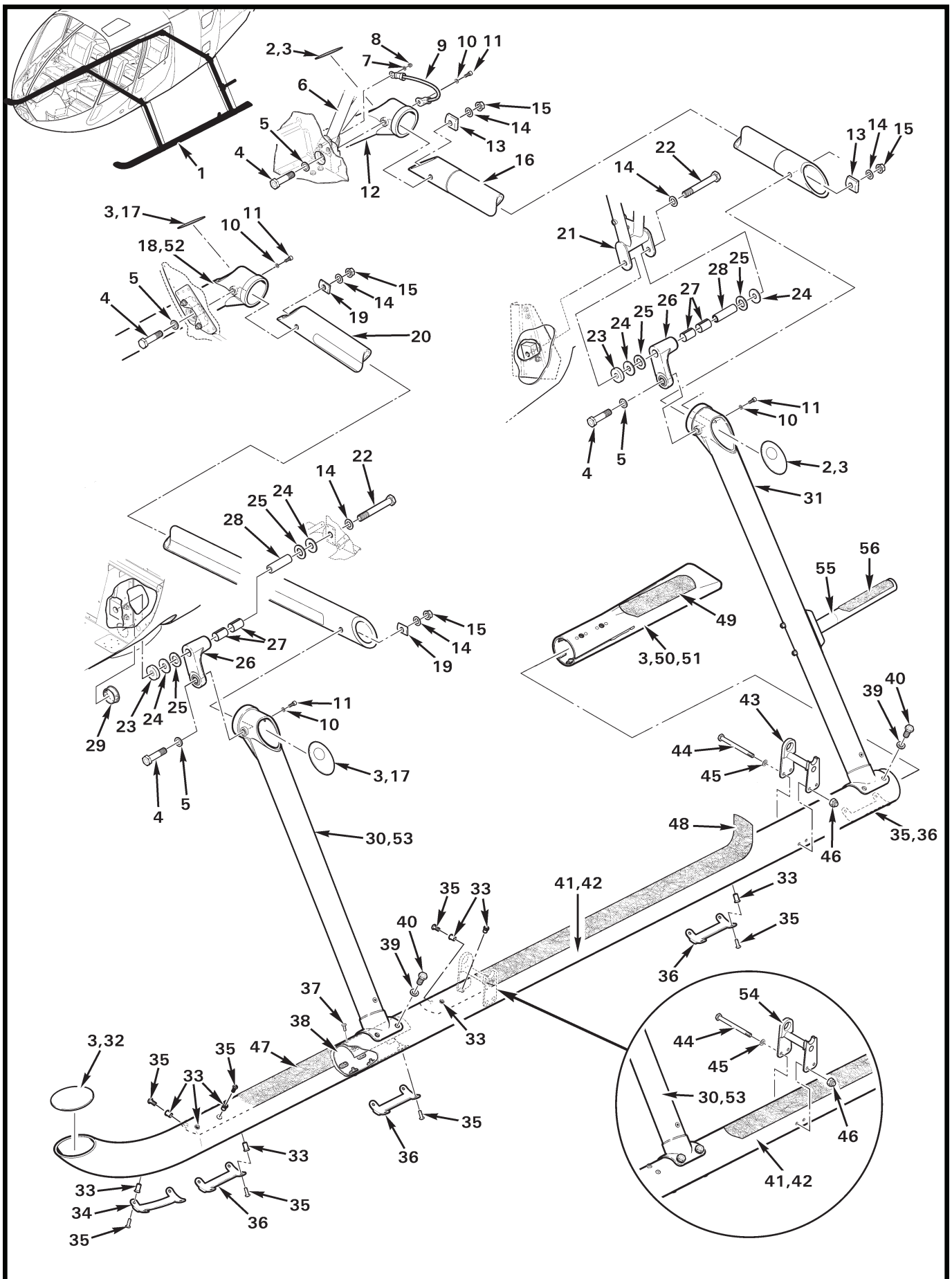


FIGURE AND INDEX NUMBER	PART NUMBER	DESCRIPTION	PARTS AVAIL	QTY PER ASSY
LANDING GEAR ASSEMBLY				
32-1-1	F014-2	Landing Gear Assembly (Incl items 3, 10 thru 12, 16, 18, 20, and 30 thru 51)	X	1
	F014-5	Landing Gear Assembly – Extended Gear (Incl items 3, 10 thru 12, 16, 20, and 31 thru 53. Optional; STD on Police and ENG ship.)	X	1
2	C247-3	Cap (clear, bond in place with window up, painted side against cross tube, using item 3)	X	2
3	B270-1	Sealant	X	A/R
4	NAS6607-20	Bolt	X	4
5	C141-4	Washer	X	4
6	F046-2	Lower Frame (RH, Ref; see Figure 53-7)		
7	NAS1149F0432P*	Washer (Ref)		
8	MS21042L4*	Nut (Ref)		
9	A936-3*	Wire Assembly	X	1
10	NAS620-10L	Washer	X	4
11	NAS1351-3LE8P	Screw	X	4
12	F239-2	Strut Assembly (RH, aft)	X	1
13	F247-1	Spacer	X	2
14	NAS1149F0732P	Washer	X	6
15	D210-7	Nut	X	4
16	F241-3	Cross Tube (aft)	X	1
17	F411-9	Cap (clear, bond in place with window up, painted side against cross tube, using item 3)	X	2
18	F239-4	Strut Assembly (RH, fwd)	X	1
19	F247-2	Spacer	X	2
20	F241-4	Cross Tube (forward)	X	1
21	F046-1	Lower Frame (LH, Ref)		
22	NAS6607-44	Bolt	X	2
23	C141-6	Washer	X	2
24	C141-5	Washer	X	4
25	A214-10	Washer	X	4
26	C276-3	Shackle Assembly	X	2
27	LJS-1016	Bearing	X	4
28	C105-1	Journal	X	2
29	2740	Hole Plug	X	1
30	F239-3	Strut Assembly (LH, fwd)	X	1

NOTES * Earlier aircraft.

Continues

FIGURE AND INDEX NUMBER	PART NUMBER	DESCRIPTION	PARTS AVAIL	QTY PER ASSY
LANDING GEAR ASSEMBLY (Cont'd)				
32-1-31	F239-1	Strut Assembly (LH, aft)	X	1
32	C247-1	Rain Cap (install using item 3)	X	2
33	NAS1330H3K116L	Rivnut	X	30
34	A667-8	Skid Shoe (curved)	X	2
35	A142-1	Screw	X	44
36	A667-7	Skid Shoe (straight)	X	8
37	A142-3	Screw	X	8
38	C246-5	Liner Assembly (LH, includes nutplates)	X	1
	C246-6	Liner Assembly (RH, includes nutplates)	X	1
39	NAS1149F0663P	Washer	X	16
40	NAS6606-4	Bolt	X	16
41	C242-7	Skid Tube Assembly (LH, includes C242-5 skid tube, and items 3, 32, 33, 37, 38)	O	1
	C242-9*	Skid Tube Assembly (LH, includes C242-7 and is painted)	X	1
42	C242-8	Skid Tube Assembly (RH, includes C242-6 skid tube, and items 3, 32, 33, 37, 38; not shown)	O	1
	C242-10*	Skid Tube Assembly (RH, includes C242-8 and is painted)	X	1
43	C719-1	Support Weldment	X	2
44	NAS6604-46**	Bolt	X	4
45	NAS1149F0432P**	Washer	X	4
46	B340-10**	Nut	X	4
47	A751-4	Strip (not installed on ships with skid steps; see Figure 32-19)	X	2
48	A751-5	Strip	X	2
	A751-9	Strip (install on ships with skid steps)	X	2
49	A751-6	Strip (installed on item 50 [LH] only; earlier ships without item 55)	X	1
50	C937-1	Skid Extension (LH, fill gap with item 3)	X	1
51	C937-2	Skid Extension (RH, fill gap with item 3, not shown)	X	1
52	F239-6	Strut Assembly – Extended Gear (RH; not shown)	X	1
53	F239-5	Strut Assembly – Extended Gear (LH; not shown)	X	1
54	C719-1	Support Weldment (Police and ENG ships)	X	2
55	F780-1	Step Assembly (see Figure 32-19)	X	1
56	A751-7	Strip	X	1

NOTES * Spares; revision P and subsequent have provisions for Skid Steps.
 ** Quantity is [8] each when item 54 is installed

Intentionally Blank

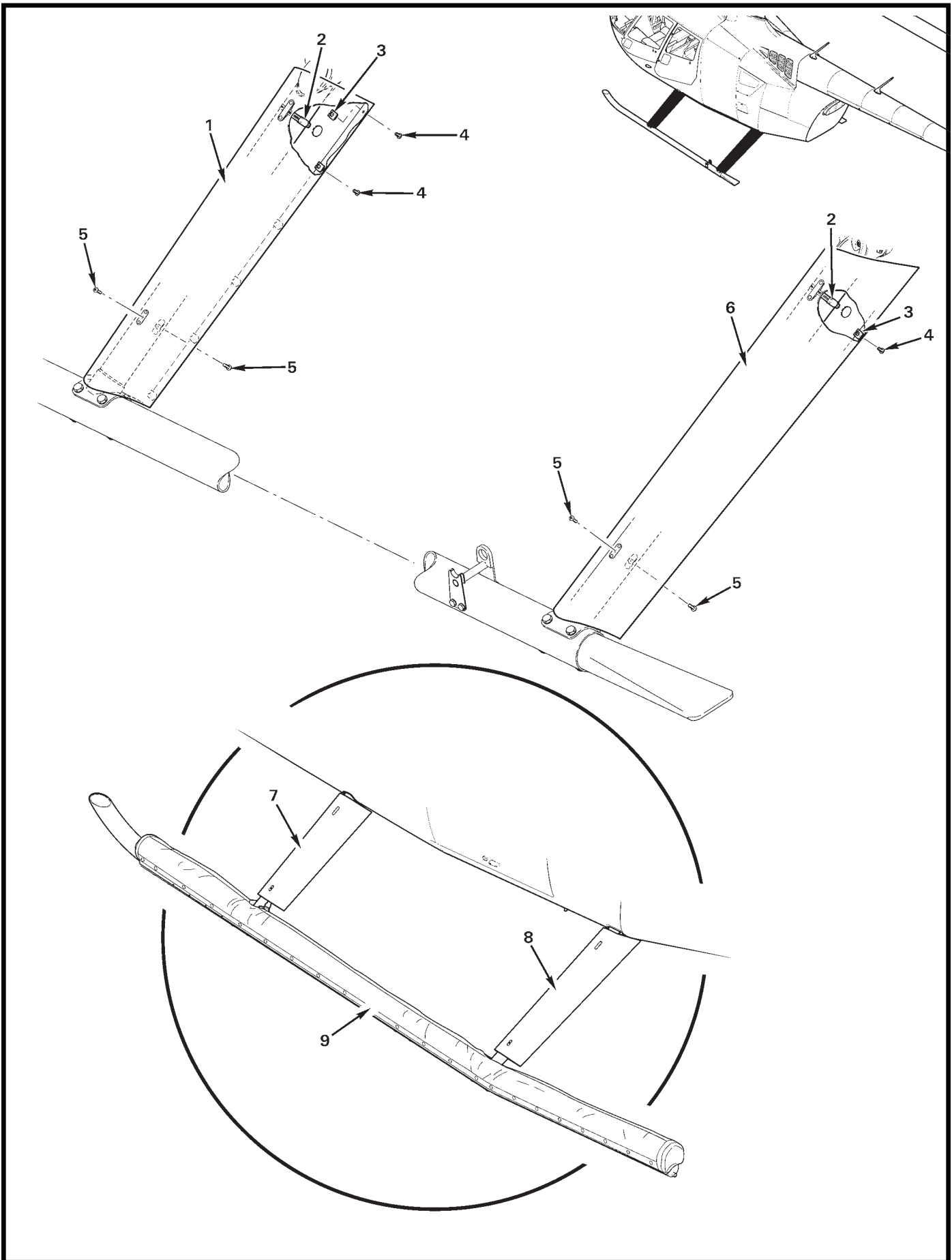


FIGURE AND INDEX NUMBER	PART NUMBER	DESCRIPTION	PARTS AVAIL	QTY PER ASSY
STRUT FAIRING ASSEMBLY				
32-5-1	F082-3	Fairing Assembly – Forward (LH)	X	1
	F082-2	Fairing Assembly – Forward (RH, not shown)	X	1
	F082-23	Fairing Assembly – Forward (LH, not shown; Extended Gear) . .	X	1
	F082-22	Fairing Assembly – Forward (RH, not shown; Extended Gear)	X	1
2	B277-28	Clamp	X	4
3	B162-3	Clipnut	X	26
4	B526-6	Screw (rev. E and subsequent fairing assemblies)	X	26
	MS27039C0805	Screw (rev. D or earlier fairing assemblies)	X	26
5	MS27039C0810	Screw	X	8
6	F082-5	Fairing Assembly – Aft (LH)	X	1
	F082-4	Fairing Assembly – Aft (RH, not shown)	X	1
7	F082-13*	Fairing Assembly – Forward (LH)	X	1
	F082-12*	Fairing Assembly – Forward (RH, not shown)	X	1
8	F082-15*	Fairing Assembly – Aft (LH)	X	1
	F082-14*	Fairing Assembly – Aft (RH, not shown)	X	1
9	C950	Float Tube (Ref)		

NOTES * Pop-out Float equipped R66s.

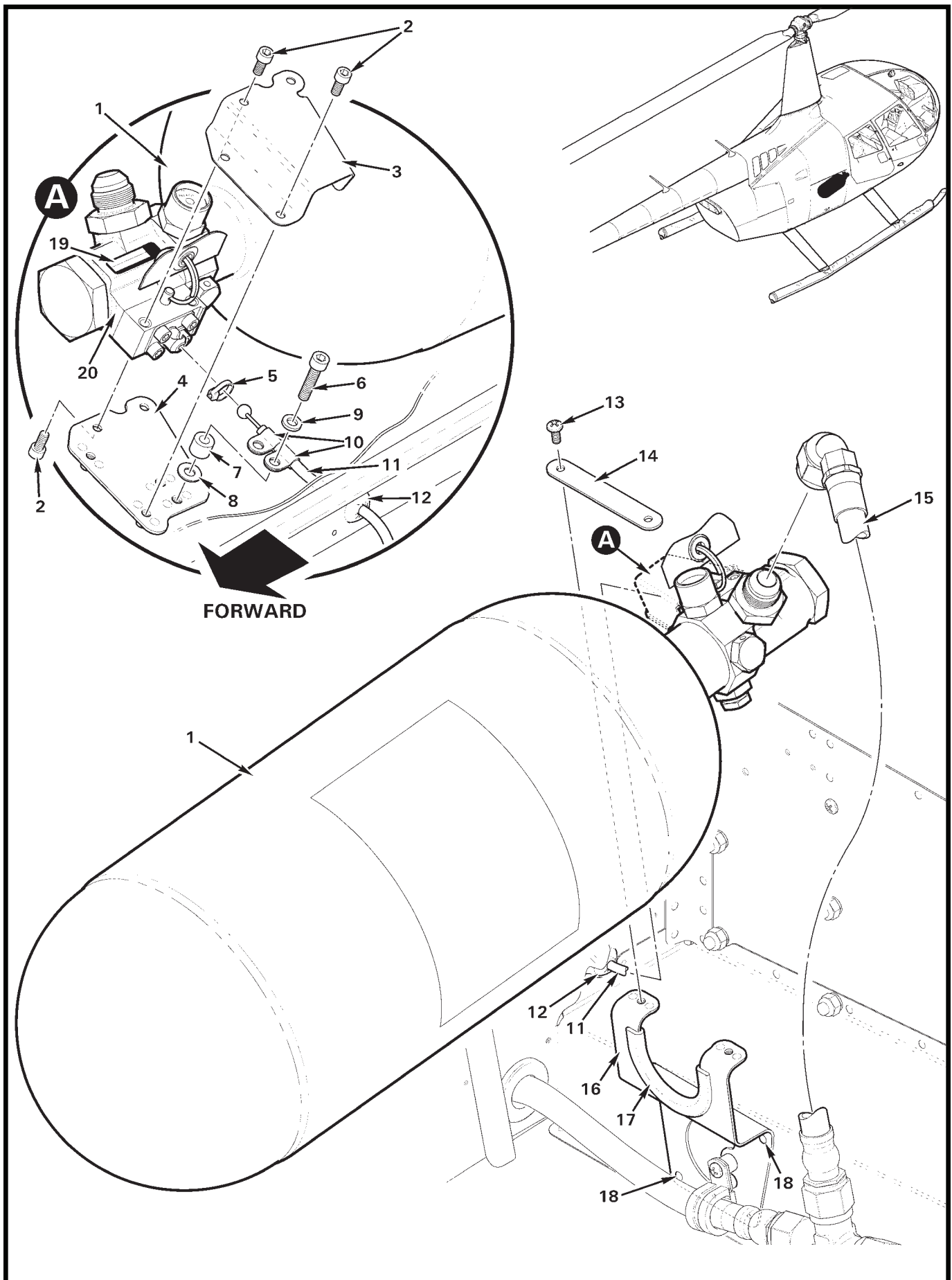


FIGURE AND INDEX NUMBER	PART NUMBER	DESCRIPTION	PARTS AVAIL	QTY PER ASSY
POP-OUT FLOATS – CYLINDER ASSEMBLY INSTALLATION				
32-7-1	D679-3	Cylinder Assembly	X	1
2	NAS1352-08-6P	Screw	X	6
3	D761-2	Cover	X	1
4	D761-1	Support Assembly	X	1
5	MS3367-4-9	Ty-rap	X	1
6	NAS1351-3-14P	Screw	X	2
7	C130-26	Spacer	X	2
8	NAS1149F0332P	Washer	X	2
9	NAS620-10	Washer	X	2
10	AN735-3	Clamp	X	2
11	D676-2	Cable Assembly (Use item 5 to retain ball in bottle trigger. Ref, see Figure 32-9.)		
12	B270-1	Sealant	X	A/R
13	MS27039C0806	Screw	X	2
14	D669-3	Strap	X	1
15	D674-9	Hose Assembly	X	1
16	D669-6	Cradle Assembly (Incl item 17)	X	1
17	A226-11	Trim	X	A/R
18	MS20470AD4	Rivet	X	6
19	—	Data Plate (Ref; B900-8 modification, D758-2 with D758-4 attributes)		
20	D758-4	Housing (Ref)		
	D758-2	Housing with B900-8 Modification (Ref; D758-2 with D758-4 attributes, includes item 19)		

NOTES

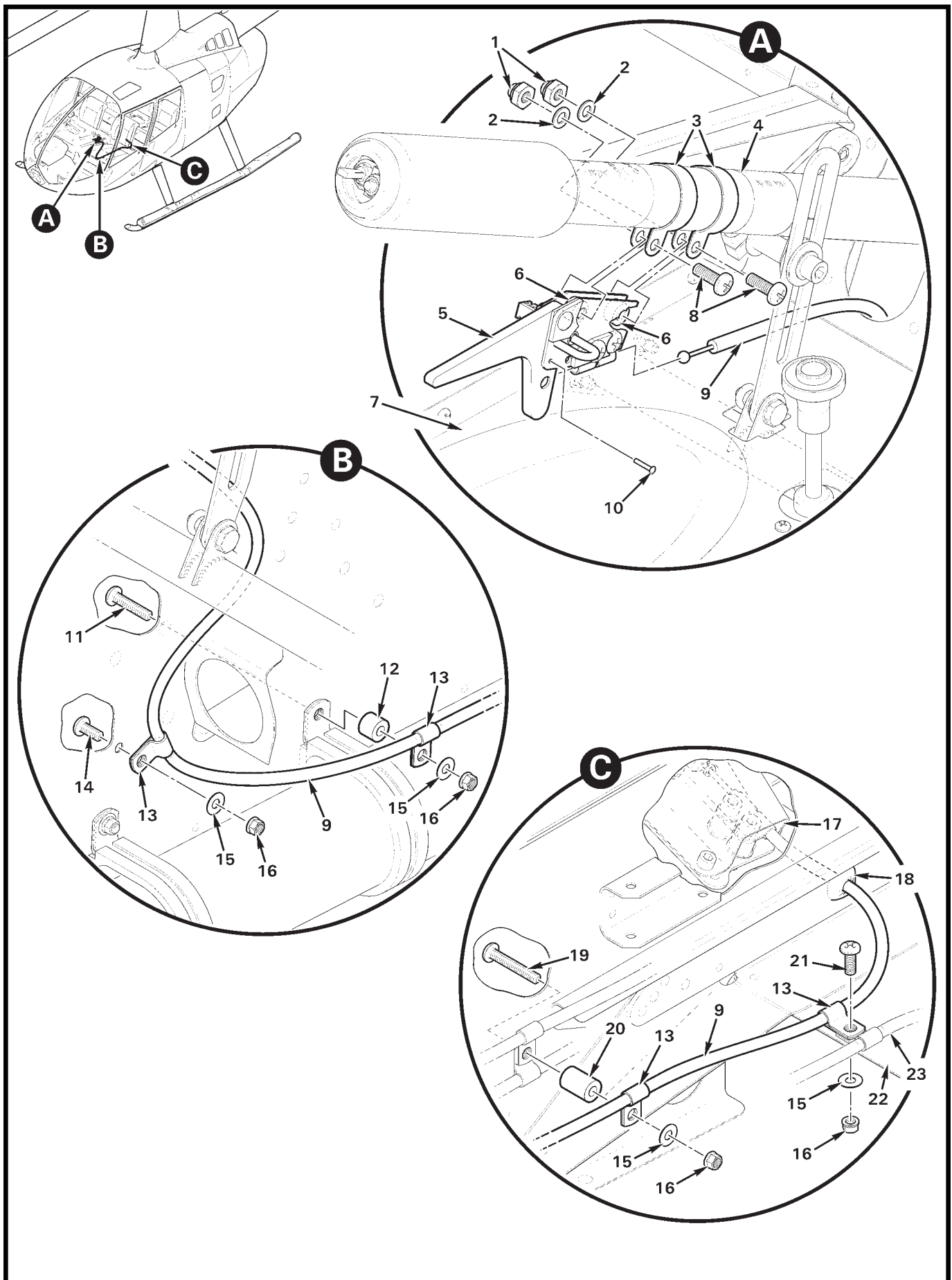


FIGURE AND INDEX NUMBER	PART NUMBER	DESCRIPTION	PARTS AVAIL	QTY PER ASSY
POP-OUT FLOATS – LEVER ASSEMBLY				
32-9-1	B340-8	Nut	X	2
2	NAS620-10L	Washer	X	2
3	D675-4	Clamp	X	2
4	F758-1	Collective Stick Assembly – Pilot (RH, Ref; see Figure 67-15 for complete assembly)		
5	D680-1	Lever Assembly (Incl items 1 thru 3, 6, 8, and 10)	X	1
6	A130-21	Spacer	X	2
7	F445-3	Cover Assembly (Ref, see Figure 6-1)	X	2
8	MS27039C1-09	Screw	X	2
9	D676-2	Cable Assembly	X	1
10	MS20470A2-6-5	Rivet	X	1
11	MS27039C0812	Screw	X	1
12	A130-33	Spacer	X	1
13	AN742-3	Clamp	X	4
14	MS27039C0806	Screw	X	1
15	NAS1149FN816P	Washer	X	4
16	MS21042L08	Nut	X	4
17	D761-1	Support Assembly – Valve, Float Ships (Ref, see Figure 32-7)		
18	B270-1	Sealant	X	A/R
19	MS27039C0816	Screw	X	1
20	A130-38	Spacer	X	1
21	MS27039C0808	Screw	X	1
22	F375-1	Cover (Ref)		
23	A522-14	Control (Ref)		

NOTES

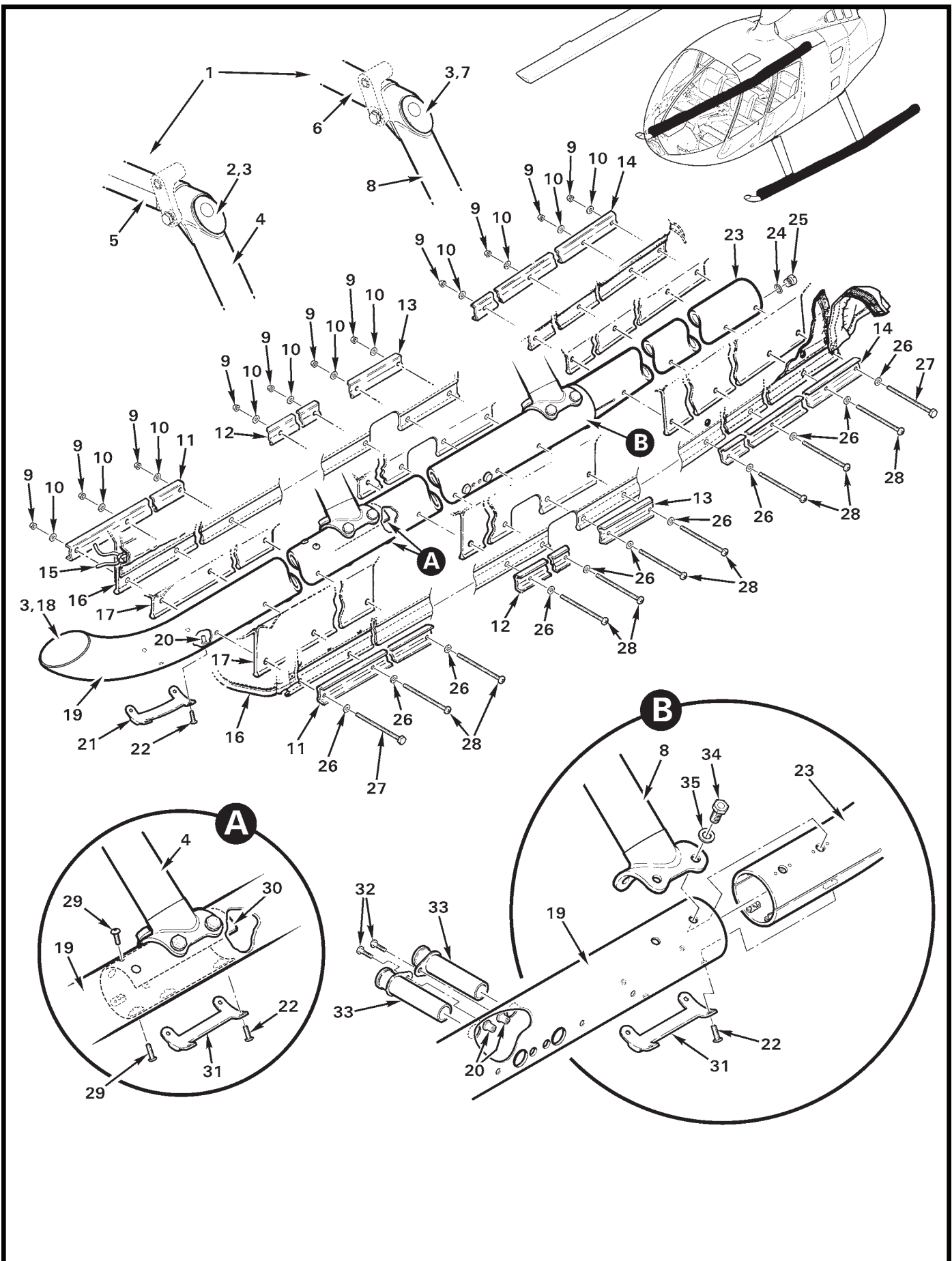


FIGURE AND INDEX NUMBER	PART NUMBER	DESCRIPTION	PARTS AVAIL	QTY PER ASSY
		POP-OUT FLOATS – FLOAT ASSEMBLY INSTALLATION		
32-11-1	F014-4	Landing Gear Assembly – Pop-Out Floats (Incl items 2 thru 8, 19, 23, 34, and 35)	X	1
2	F411-9	Rain Cap – Forward (Ref, install using item 3)		
3	B270-1*	Sealant (2 oz. tube)	X	A/R
4	F239-3	Strut Assembly – Forward (LH)	X	1
	F239-4	Strut Assembly – Forward (RH)	X	1
5	F241-4*	Cross Tube – Forward (Ref)		
6	F241-3*	Cross Tube – Aft (Ref)		
7	C247-3	Rain Cap – Aft (Ref, install using item 3)		
8	F239-1	Strut Assembly – Aft (LH)	X	1
	F239-2	Strut Assembly – Aft (RH)	X	1
9	MS21042L3	Nut	X	62
10	NAS1149F0332P**	Washer (or NAS1149F0363P as required for proper nut engagement)	X	A/R
11	C944-1	Strip	X	4
12	C944-4	Strip	X	4
13	C944-5	Strip	X	4
14	C944-3	Strip	X	4
15	M11029	Cord	X	1
16	C950-17	Cover (LH; SMR Float. Includes item 15.)	X	1
	C950-25	Cover (LH; ACC Float. Includes item 15.)	X	1
	C950-18	Cover (RH, SMR Float, not shown. Includes item 15.)	X	1
	C950-26	Cover (RH; ACC Float, not shown. Includes item 15.)	X	1
17	C950-19 or -23	Float Assembly – LH (Ref, see Figure 32-17)		
	C950-20 or -24	Float Assembly – RH (Ref, see Figure 32-17; not shown)		
18	C247-1	Rain Cap (bond in place using item 3)	X	2
19	C943-7	Skid Tube (LH; does not include item 23)	X	1
	C943-8	Skid Tube (RH; does not include item 23)	X	1
20	NAS1330H3K116L	Rivnut	X	24
21	A667-8	Skid Shoe (curved, install using item 22)	X	2
22	A142-1	Screw	X	40
23	C945-1	Skid Extension (LH)	X	1
	C945-2	Skid Extension (RH, not shown)	X	1
24	A215-013	O-Ring	X	1
25	B202-1	Drain Plug Assembly (Incl item 24)	X	2

NOTES * See also Figure 32-1.
 ** See R66 Maintenance Manual for location and usage.

Continues

FIGURE AND INDEX NUMBER	PART NUMBER	DESCRIPTION	PARTS AVAIL	QTY PER ASSY
POP-OUT FLOATS – FLOAT ASSEMBLY INSTALLATION (Cont'd)				
32-11-26	NAS1149F0332P*	Washer (or NAS1149F0363P as required)	X	A/R
27	AN3-32A *	Bolt (or MS27039DD1-47 or -51 screw as required for proper nut engagement)	X	4
28	MS27039DD1-51 *	Screw (or MS27039DD1-47 or AN3-32A Bolt [item 27] as required for proper nut engagement)	X	58
29	A142-3	Screw	X	8
30	C246-5	Liner Assembly (left skid)	X	1
	C246-6	Liner Assembly (right skid)	X	1
31	A667-7	Skid Shoe (straight)	X	8
32	MS27039C1-09	Screw	X	4
33	D724-1	Sleeve Weldment (2 per skid)	X	4
34	NAS6606-4	Bolt	X	16
35	NAS1149F0663P	Washer	X	16

NOTES * See R66 Maintenance Manual for location and usage.

Intentionally Blank

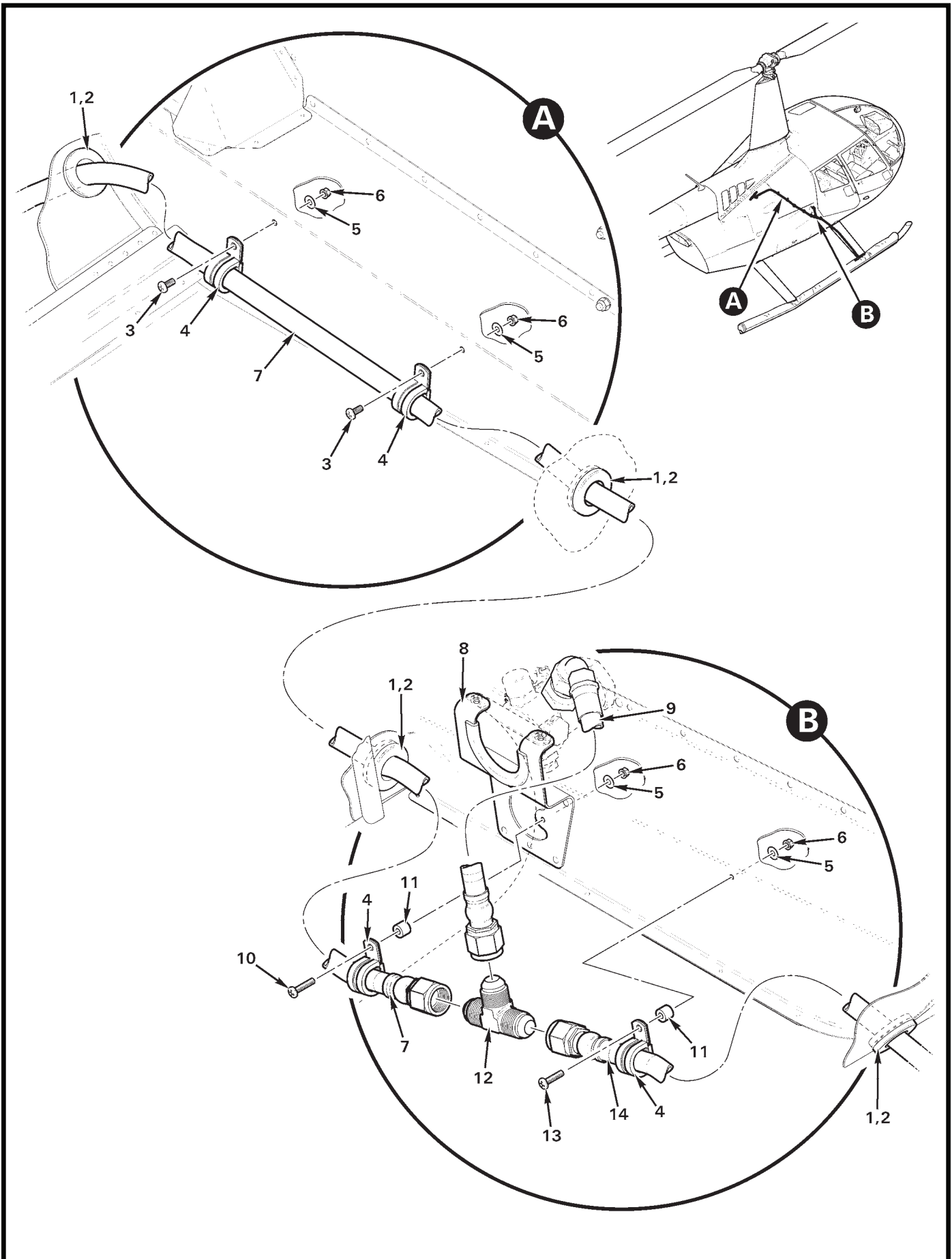


FIGURE AND INDEX NUMBER	PART NUMBER	DESCRIPTION	PARTS AVAIL	QTY PER ASSY
POP-OUT FLOATS – HOSE ASSEMBLY INSTALLATION				
32-15-1	MS35489-20	Grommet (Seal around both sides of grommet and item 7 with item 2, inside baggage compartment.)	X	4
2	B270-1	Sealant	X	A/R
3	MS27039C0806	Screw	X	2
4	MS21919WDG10	Clamp	X	4
5	NAS1149FN816P	Washer	X	4
6	MS21042L08	Nut	X	4
7	D674-13	Hose Assembly (Ref, see Figure 32-17)		
8	D669-6	Cradle Assembly	X	1
9	D674-9	Hose Assembly	X	1
10	MS27039C0812	Screw	X	1
11	A130-33	Spacer	X	2
12	AN824-8D	Tee	X	1
13	MS27039C0811	Screw	X	1
14	D674-12	Hose Assembly (Ref, see Figure 32-17)		
NOTES				

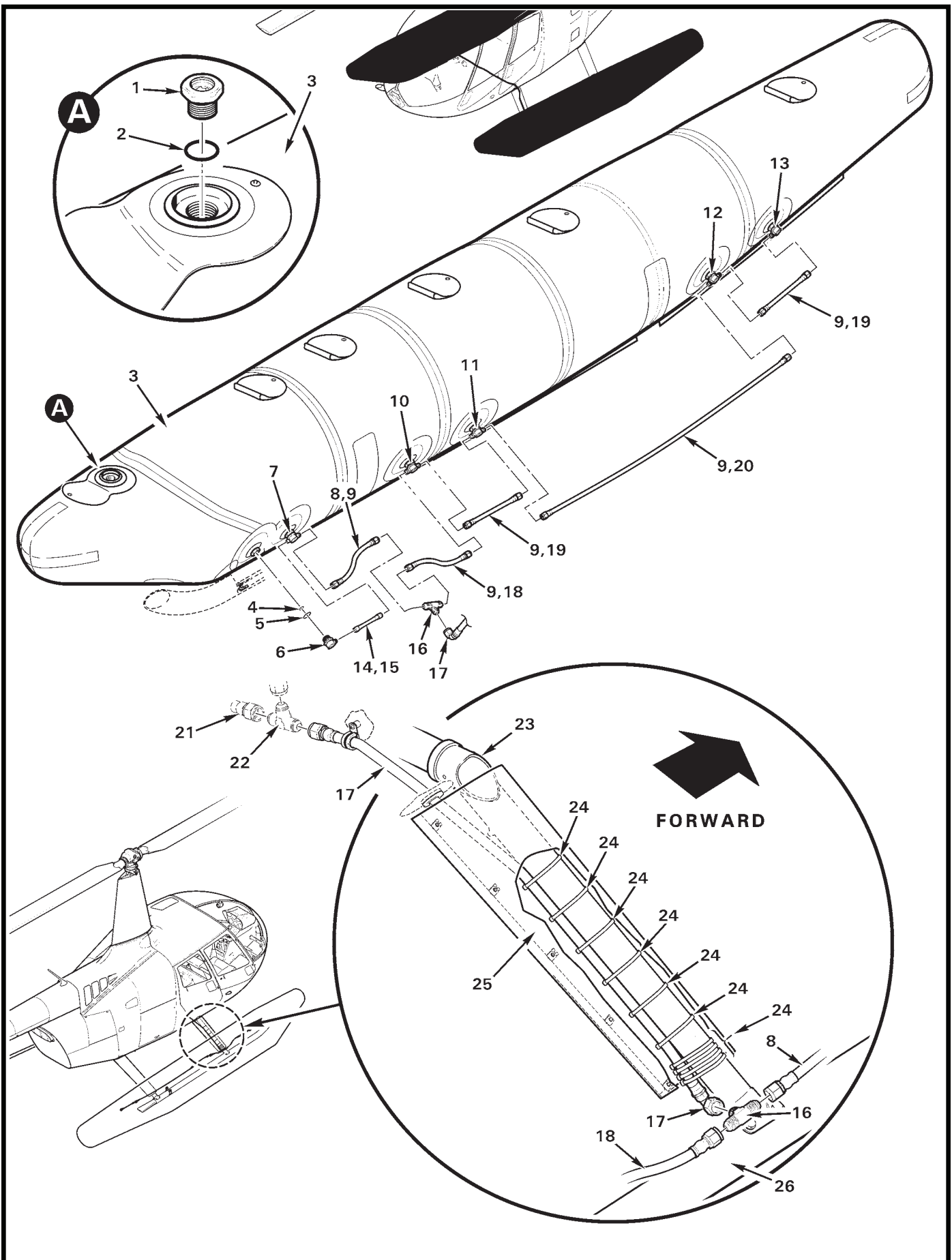


FIGURE AND INDEX NUMBER	PART NUMBER	DESCRIPTION	PARTS AVAIL	QTY PER ASSY
		POP-OUT FLOATS – FLOAT ASSEMBLY AND HOSE ASSEMBLY		
32-17-1	A-53001	Valve – Pressure Topping and Relief (Incl item 2)	X	6
2	A215-212	O-Ring	X	1
3	C950-24*	Float Tube Assembly – RH (Six chamber, includes item 1) . . .	X	1
	C950-20**	Float Tube Assembly – RH (Six chamber, includes item 1) . . .	X	1
	C950-23*	Float Tube Assembly – LH (Six chamber, includes item 1) . . .	X	1
	C950-19**	Float Tube Assembly – LH (Six chamber, includes item 1) . . .	X	1
4	A215-110	O-Ring	X	1
5	A215-212	O-Ring	X	1
6	D770-1	Valve Assembly (Incl items 4 and 5)	X	1
7	D770-2	Valve Assembly (Incl items 4 and 5)	X	1
8	D674-11	Hose Assembly (Incl item 9)	X	1
9	B158-116	Heat Shrink	X	A/R
10	D770-3	Valve Assembly (Incl items 4 and 5)	X	1
11	D770-4	Valve Assembly (Incl items 4 and 5)	X	1
12	D770-5	Valve Assembly (Incl items 4 and 5)	X	1
13	D770-6	Valve Assembly (Incl items 4 and 5)	X	1
14	D674-7	Hose Assembly (Incl item 15)	X	1
15	B158-12	Heat Shrink	X	A/R
16	AN824-8D	Tee (install using item 27)	X	2
17	D674-12	Hose Assembly (Incl item 9)	X	2
18	D674-10	Hose Assembly (Incl item 9)	X	2
19	D674-6	Hose Assembly (Incl item 9)	X	3
20	D674-2	Hose Assembly (Incl item 9)	X	2
21	D674-13	Hose Assembly (Ref, see Figure 32-15)		
22	AN824-8D	Tee (Ref, see Figure 32-15)		
23	F239-4	Strut Assembly – Forward, RH (Ref; see Figure 32-1)		
24	MS3367-7-9	Ty-Rap ([10] per forward strut assembly)	X	20
25	F082-12	Fairing Assembly – Forward, RH (Ref; see Figure 32-5)		
26	C943-8	Skid Tube – RH (Ref)		
27	B270-22	Protectant	X	A/R

NOTES * Manufactured by Air Crusiers.
 ** Manufactured by SMR Technologies, Inc.

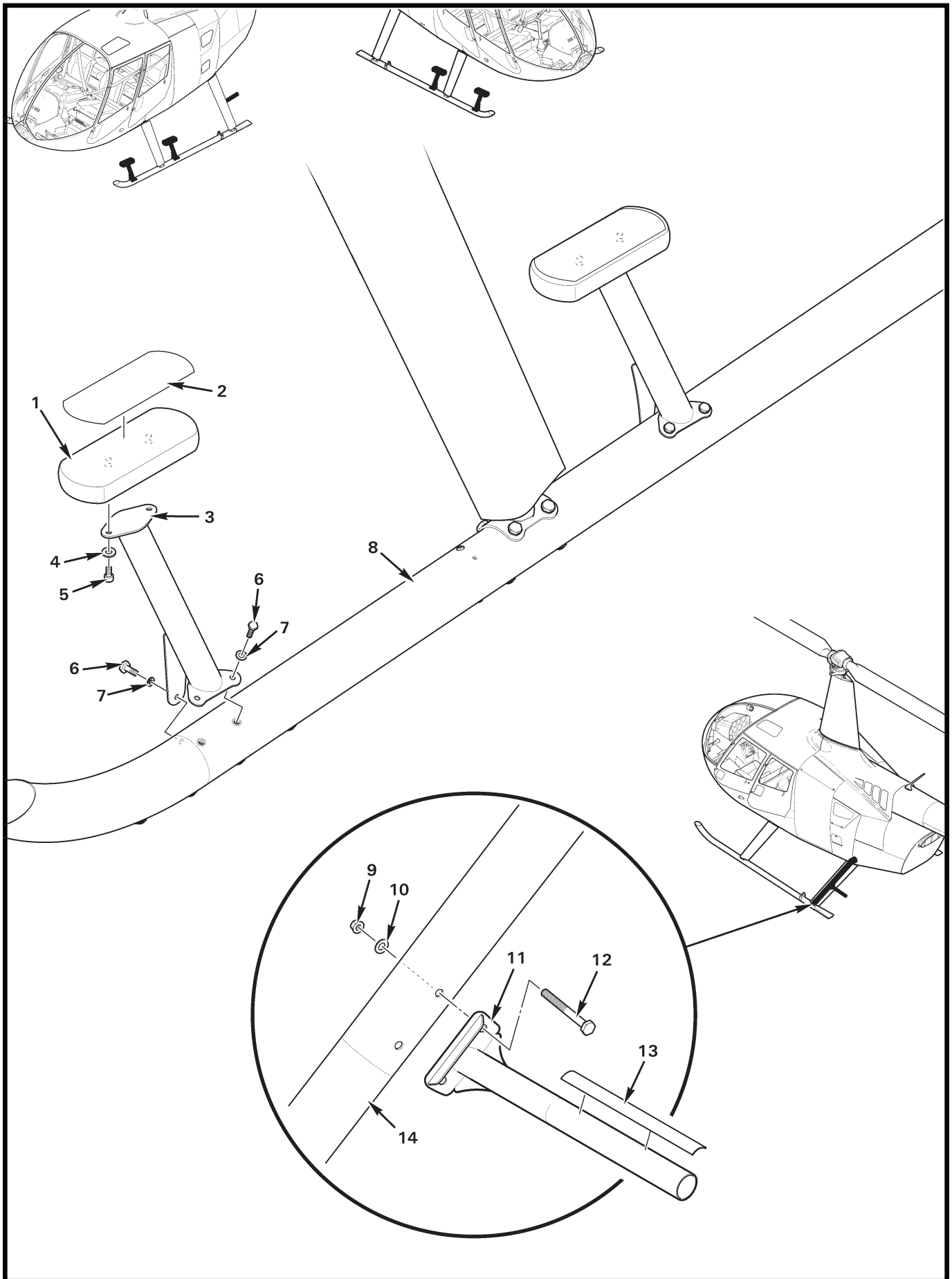


FIGURE AND INDEX NUMBER	PART NUMBER	DESCRIPTION	PARTS AVAIL	QTY PER ASSY
SKID STEP INSTALLATION*				
32-19-1	F781-1	Step Assembly (Incl item 2)	X	4
2	A751-8	Strip	X	4
3	F780-2	Support Weldment (RH and LH, FWD and AFT)	X	4
4	NAS1149F0363P	Washer	X	8
5	NAS1351-3-8P	Screw	X	8
6	NAS6603-3	Bolt	X	12
7	NAS1149F0332P	Washer	X	12
8	C242-7	Skid Tube Assembly (LH)	O	1
	C242-9**	Skid Tube Assembly (LH, includes C242-7 and is painted) . . .	X	1
	C242-8	Skid Tube Assembly (RH)	O	1
	C242-10**	Skid Tube Assembly (RH, includes C242-8 and is painted) . . .	X	1
9	D210-4	Nut	X	2
10	NAS1149F0432P	Washer	X	2
11	F780-1	Step Assembly (left aft strut only)	X	1
12	NAS6604-32	Bolt	X	2
13	A751-7	Strip	X	1
14	F239-1	Strut Assembly (Ref; revision J and subsequent have provisions for step assembly)		

NOTES * Optional equipment. Flight with one or more step assemblies and mounting hardware removed is permissible. See Figure 32-1.

 ** Revision P and subsequent have provisions for Skid Steps.

Intentionally Blank