

CHAPTER 29

HYDRAULICS

<i>Figure</i>	<i>Title</i>	<i>Page</i>
29-1	Hydraulic Pump Installation	29.0
29-3	Hydraulic Reservoir Installation	29.2
29-7	Forward Servos Installation	29.6
29-9	Forward Servos Hose Installation	29.8
29-11	Aft Servo Installation	29.10

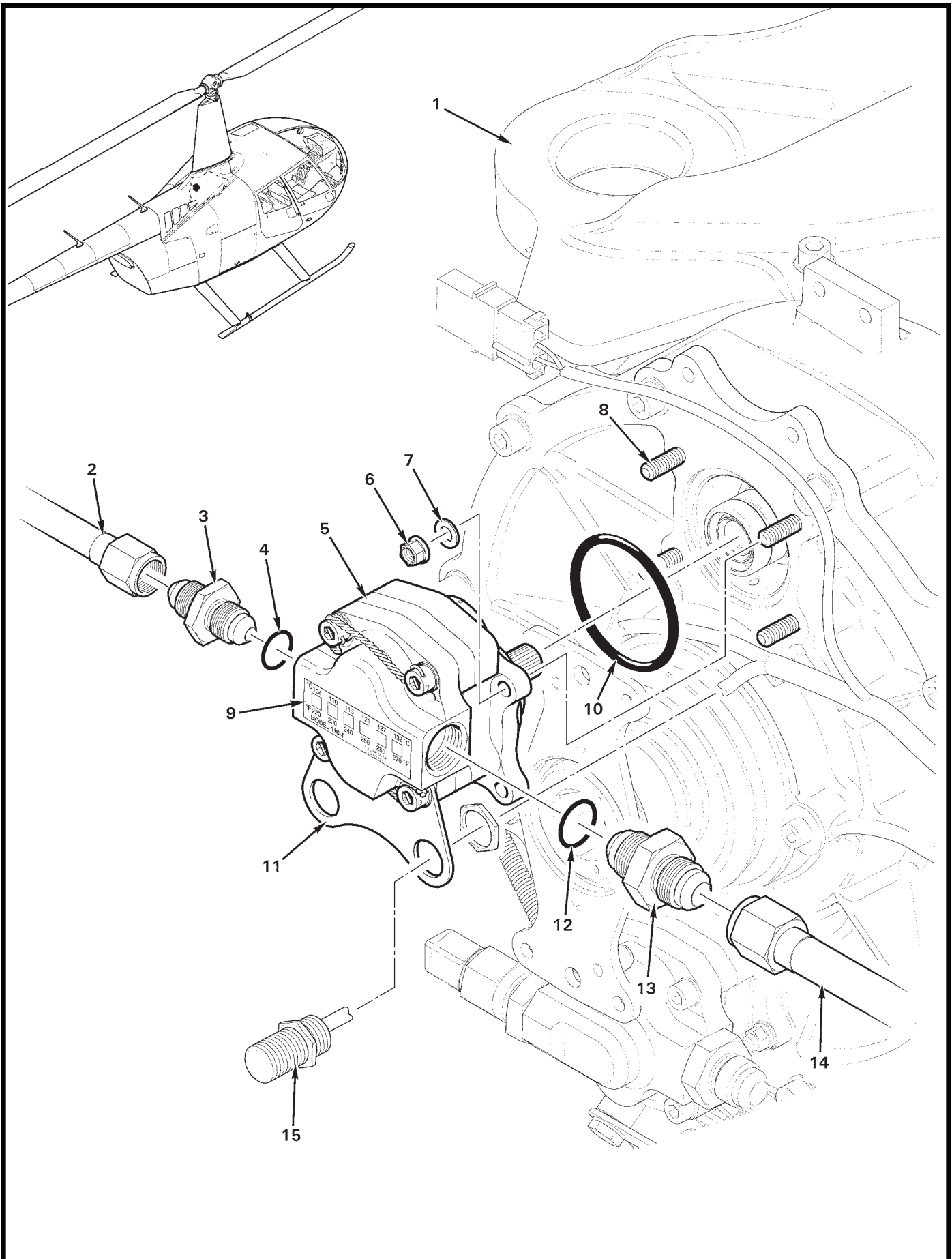


FIGURE AND INDEX NUMBER	PART NUMBER	DESCRIPTION	PARTS AVAIL	QTY PER ASSY
HYDRAULIC PUMP INSTALLATION				
29-1-1	F006-1	Main Rotor Gearbox Assembly (Ref, see Figure 63-3)		
2	F902-1	Line Assembly (Ref)		
3	AN815-4D	Union	X	1
4	MS28778-4	Packing (o-ring)	X	1
5	D500-2	Pump Assembly (Incl item 11)	X	1
6	MS21042L3	Nut	X	4
7	NAS620-10L	Washer	X	4
8	—	Stud (Ref)		
9	F110-4	Telatemp (temperature recorder, 220° to 270°F)	X	1
10	A215-128	Packing (o-ring)	X	1
11	D114-2	Bracket	X	1
12	MS28778-6	Packing (o-ring)	X	1
13	AN815-6D	Union	X	2
14	F902-2	Line Assembly (Ref)		
15	103SR13A-3	Sender (Ref)		

NOTES

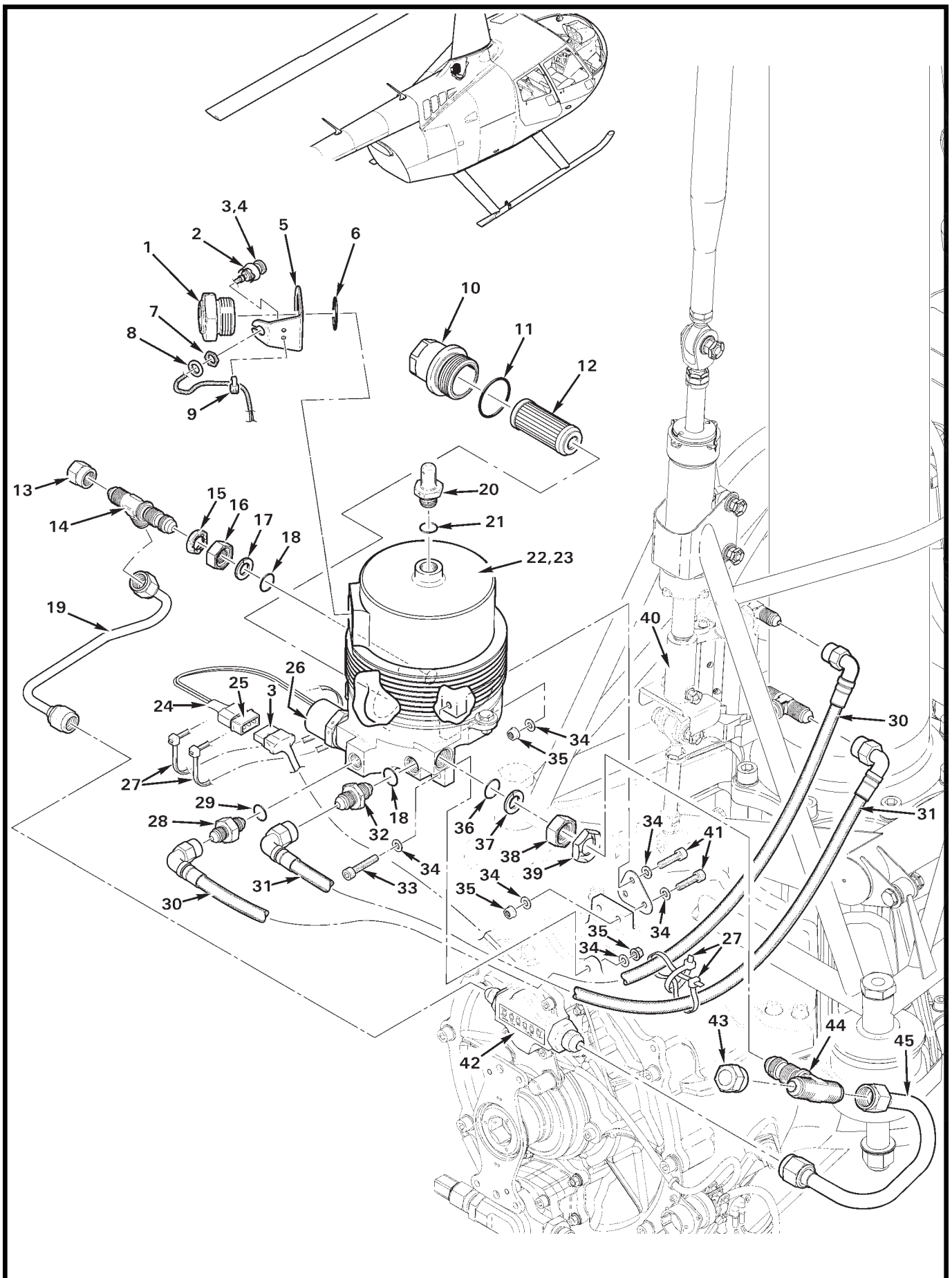


FIGURE AND INDEX NUMBER	PART NUMBER	DESCRIPTION	PARTS AVAIL	QTY PER ASSY
HYDRAULIC RESERVOIR INSTALLATION				
29-3-1	B563-2	Sight Gage	X	1
2	B158-6	Heat Shrink	X	A/R
3	252-247	Light Assembly (LED; includes items 7 and 8)	O	1
4	F049-01	Harness Assembly (Ref; includes items 2 and 3)		
5	D494-2	Holder	X	1
6	MS28775-020	Packing (o-ring)	X	1
7	—	Nut	O	1
8	—	Washer	O	1
9	MS3367-4-9	Ty-Rap	X	1
10	D516-1	Cap	X	1
11	MS28778-14	Packing (o-ring)	X	1
12	AN6235-1A	Filter	X	1
13	AN820-4	Cap	X	1
14	AN804D4	Tee	X	1
15	B330-21	Palnut	X	1
16	D452-4	Nut	X	1
17	D454-4	Retainer	X	1
18	MS28778-4	Packing (o-ring)	X	2
19	F902-1	Line Assembly	X	1
20	D487-3	Vent Assembly	X	1
21	MS28778-5	Packing (o-ring)	X	1
22	D211-3	Reservoir Assembly (Incl items 1, 5, 6, 10 thru 12, 20, 21, and 24 thru 26)	X	1
23	A257-15	Hydraulic Fluid	X	A/R
24	B158-408	Heat Shrink	X	A/R
25	B263-14	Housing	X	1
	B263-1	Pin	X	2
26	D507-2	Solenoid Assembly (Ref)		
27	MS3367-5-9	Ty-Rap	X	2
28	AN815-3D	Union	X	1
29	MS28775-011	Packing (o-ring)	X	1
30	D205-17	Hose Assembly	X	1
31	D205-18	Hose Assembly	X	1
32	AN815-4D	Union	X	1
33	NAS1351-3-16P	Screw	X	2

NOTES

Continues

FIGURE AND INDEX NUMBER	PART NUMBER	DESCRIPTION	PARTS AVAIL	QTY PER ASSY
HYDRAULIC RESERVOIR INSTALLATION (Cont'd)				
29-3-34	NAS620-10L	Washer	X	10
35	MS21042L3	Nut	X	5
36	MS28778-6	Packing (o-ring)	X	1
37	D454-6	Retainer	X	1
38	D452-6	Nut	X	1
39	B330-25	Palnut	X	1
40	D212-6	Servo Assembly (Ref)		
41	NAS1351-3-12P	Screw	X	3
42	D500-2	Pump (Ref, see Figure 29-1)		
43	AN820-6	Cap	X	1
44	AN834-6D	Tee	X	1
45	F902-2	Line Assembly	X	1

NOTES

Intentionally Blank

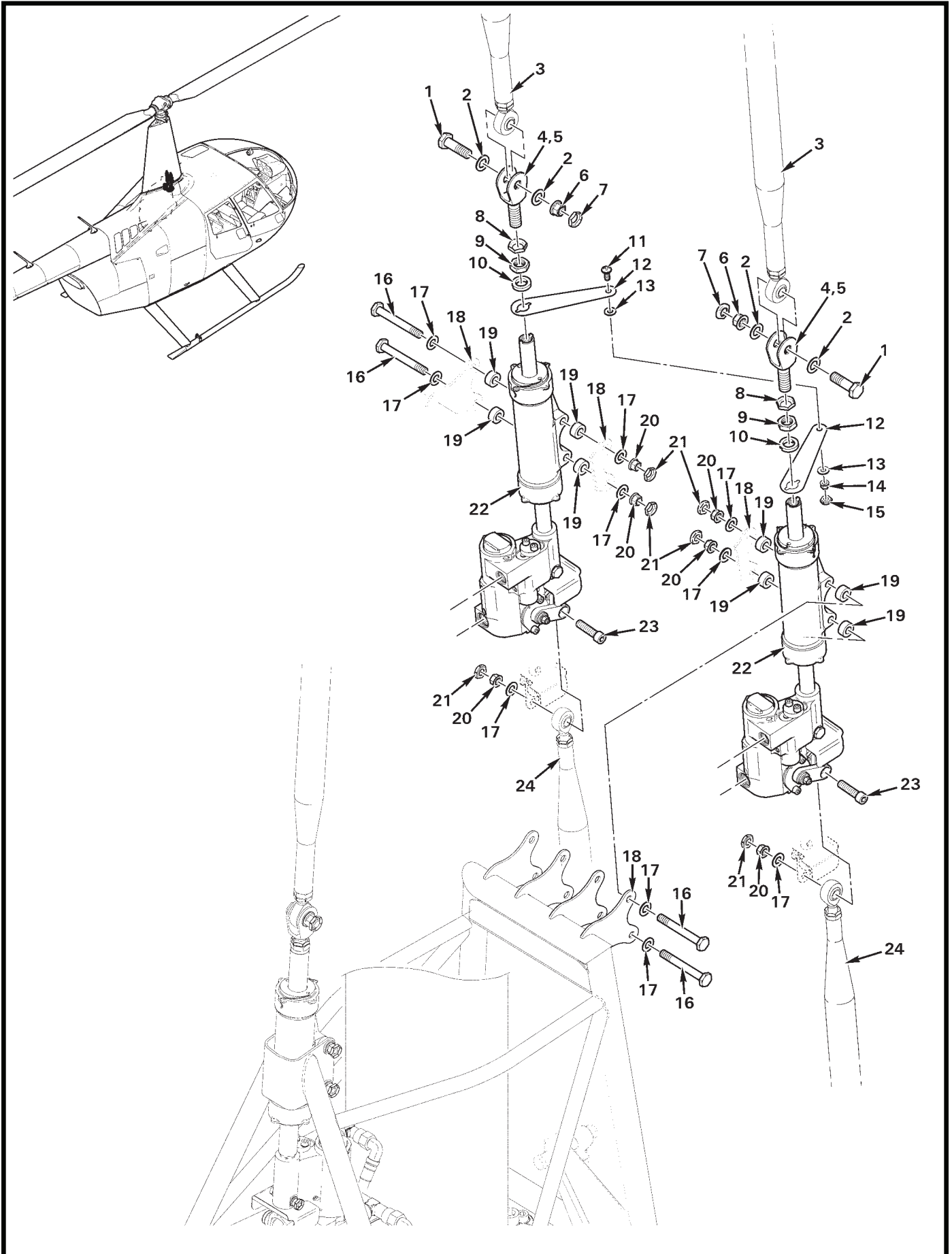


FIGURE AND INDEX NUMBER	PART NUMBER	DESCRIPTION	PARTS AVAIL	QTY PER ASSY
FORWARD SERVOS INSTALLATION				
29-7-1	NAS6605-9	Bolt	X	2
2	NAS1149F0532P	Washer	X	4
3	F121-3	Push-Pull Tube Assembly (Ref, see Figure 67-27)		
4	D200-1	Clevis (install using item 5)	X	2
5	B270-21	Protectant	X	A/R
6	D210-5	Nut	X	2
7	B330-16	Palnut	X	2
8	B330-19	Palnut	X	2
9	AN316-6R	Nut	X	2
10	D200-3	Washer	X	2
11	MS27039C0806	Screw	X	1
12	D200-2	Scissor	X	2
13	NAS1149FN832P	Washer	X	2
14	D210-08	Nut	X	1
15	B330-6	Palnut	X	1
16	NAS6604-25	Bolt	X	4
17	NAS1149F0432P	Washer	X	10
18	G201-1	Frame Assembly – Hydraulic Servo Support (Ref)		
19	C130-15	Spacer	X	8
20	D210-4	Nut	X	6
21	B330-13	Palnut	X	6
22	D212-5	Servo Assembly	X	2
23	NAS1351-4-16P	Screw	X	2
24	F121-5	Push-Pull Tube Assembly (Ref, see Figures 67-5 and 67-9)		

NOTES

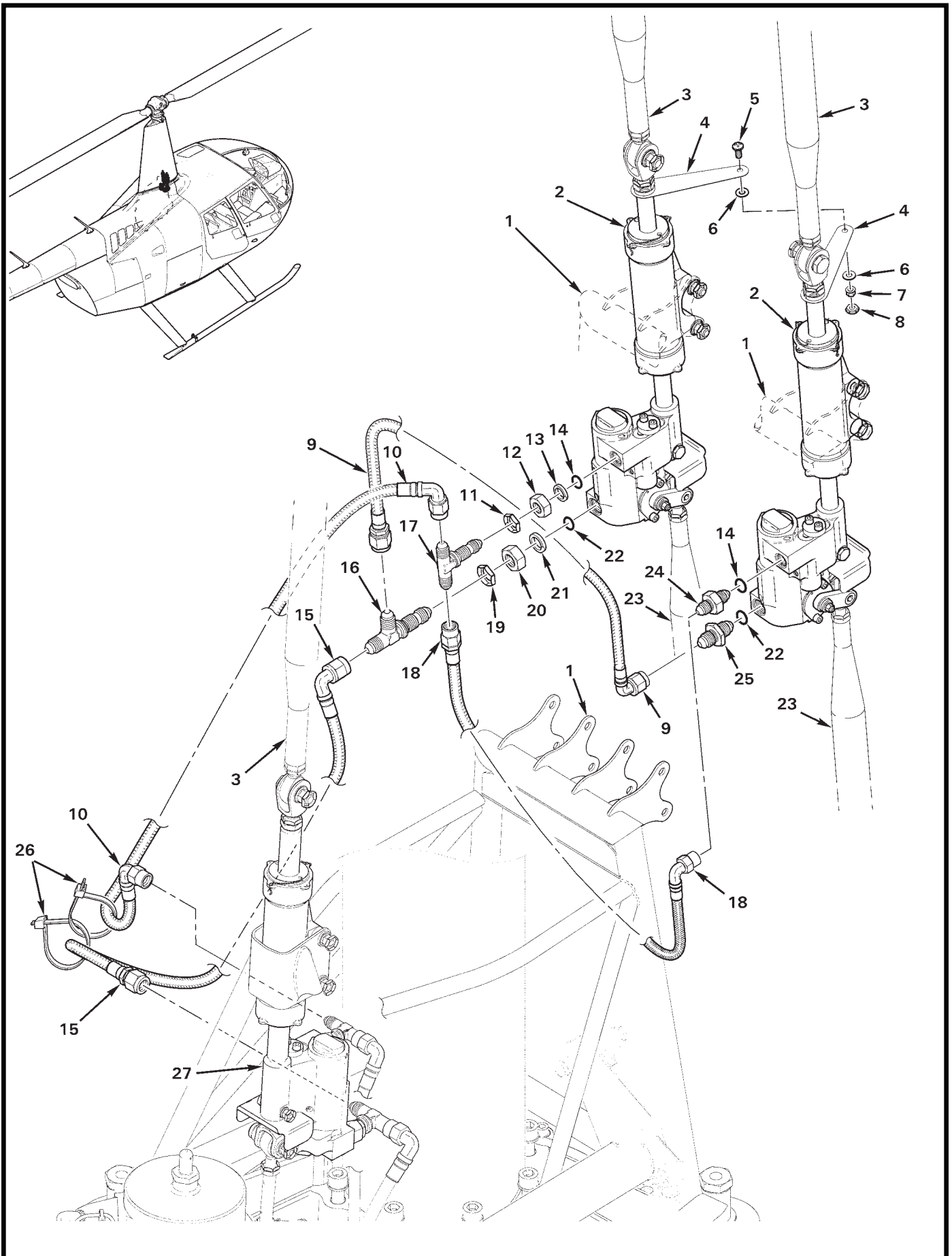


FIGURE AND INDEX NUMBER	PART NUMBER	DESCRIPTION	PARTS AVAIL	QTY PER ASSY
FORWARD SERVOS HOSE INSTALLATION				
29-9-1	G201-1	Frame Assembly – Hydraulic Servo Support (Ref)		
2	D212-5	Forward Servo Assembly (Ref; see Figure 29-7)		
3	F121-3	Push-Pull Tube Assembly (Ref; see Figure 67-27)		
4	D200-2	Scissor	X	2
5	MS27039C0806	Screw	X	1
6	NAS1149FN832P	Washer	X	2
7	D210-08	Nut	X	1
8	B330-6	Palnut	X	1
9	D205-24	Hose Assembly	X	1
10	D205-22	Hose Assembly	X	1
11	B330-19	Palnut	X	1
12	D452-3	Nut	X	1
13	D454-3	Retainer	X	1
14	MS28775-011	Packing (o-ring)	X	2
15	D205-23	Hose Assembly	X	1
16	AN804D4	Tee	X	1
17	AN834-3D	Tee	X	1
18	D205-14	Hose Assembly	X	1
19	B330-21	Palnut	X	1
20	D452-4	Nut	X	1
21	D454-4	Retainer	X	1
22	MS28778-4	Packing (o-ring)	X	2
23	F121-5	Push-Pull Tube Assembly (Ref; see Figures 67-5 and 67-9)		
24	AN815-3D	Union	X	1
25	AN815-4D	Union	X	1
26	MS3367-5-9	Ty-Rap (interlocked)	X	2
27	D212-6	Aft Servo Assembly (Ref; see Figure 29-11)		

NOTES

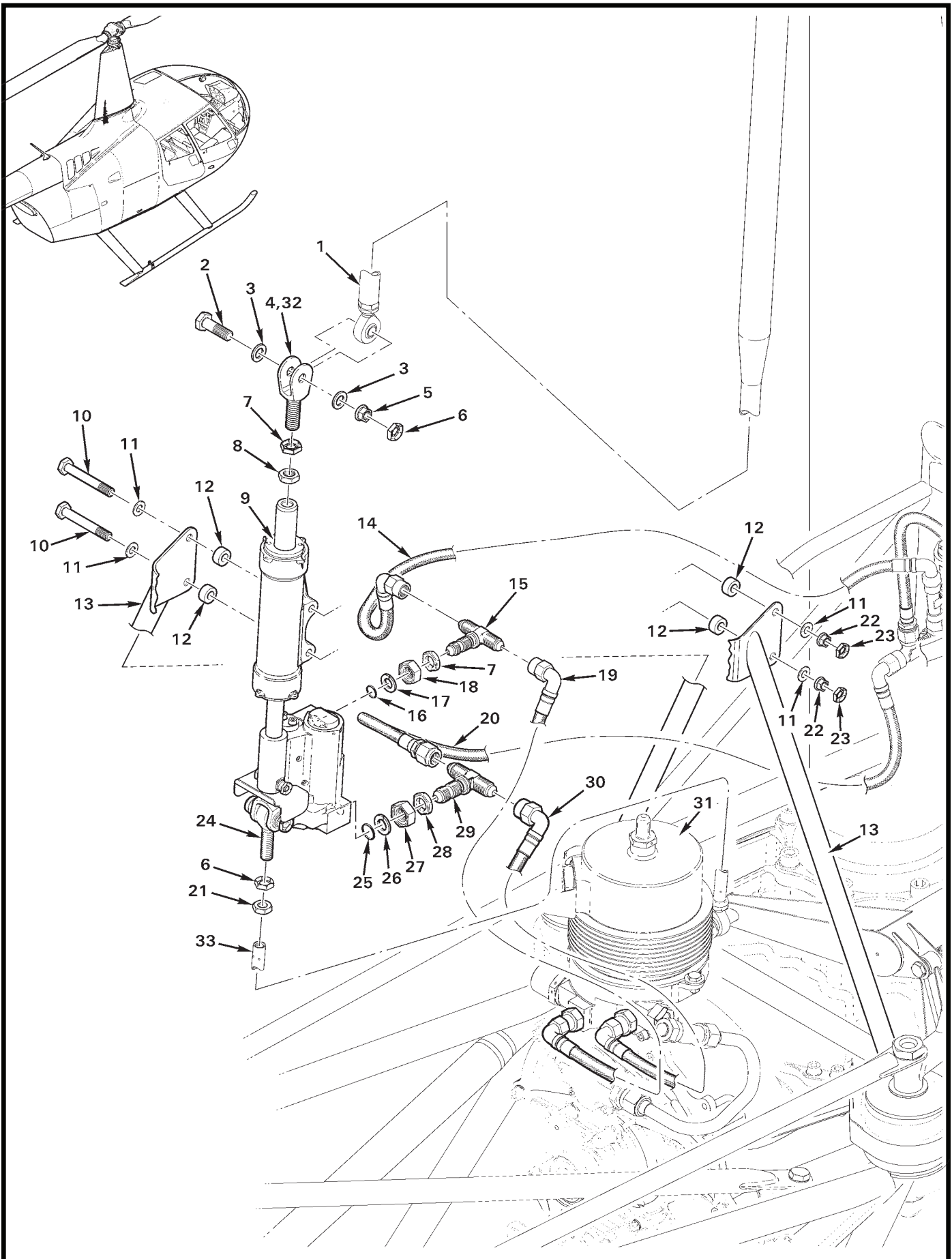


FIGURE AND INDEX NUMBER	PART NUMBER	DESCRIPTION	PARTS AVAIL	QTY PER ASSY
AFT SERVO INSTALLATION				
29-11-1	F121-3	Push-Pull Tube Assembly (Ref, see Figure 67-27)		
2	NAS6605-9	Bolt	X	1
3	NAS1149F0532P	Washer	X	2
4	D200-1	Clevis (install using item 32)	X	1
5	D210-5	Nut	X	1
6	B330-16	Palnut	X	2
7	B330-19	Palnut	X	2
8	AN316-6R	Nut	X	1
9	D212-6	Servo Assembly (Incl items 6 [1], 21, 24, and 32)	X	1
10	NAS6604-25	Bolt	X	2
11	NAS1149F0432P	Washer	X	4
12	C130-15	Spacer	X	4
13	G201-1	Frame Assembly – Hydraulic Servo Support (Ref)		
14	D205-22	Hose Assembly (Ref)		
15	AN834-3D	Tee (aft servo)	X	1
16	MS28775-011	Packing (o-ring)	X	1
17	D454-3	Retainer	X	1
18	D452-3	Nut	X	1
19	D205-17	Hose Assembly	X	1
20	D205-23	Hose Assembly (Ref)		
21	AN316-5R	Nut	X	1
22	D210-4	Nut	X	2
23	B330-13	Palnut	X	2
24	B163-2	Rod End	O	1
25	MS28778-4	Packing (o-ring)	X	1
26	D454-4	Retainer	X	1
27	D452-4	Nut	X	1
28	B330-21	Palnut	X	1
29	AN834-4D	Tee	X	1
30	D205-18	Hose Assembly	X	1
31	D211-3	Reservoir Assembly (Ref)		
32	B270-21	Protectant	X	A/R
33	C343-8	Tube (Ref, see Figure 67-25)		

NOTES

Intentionally Blank