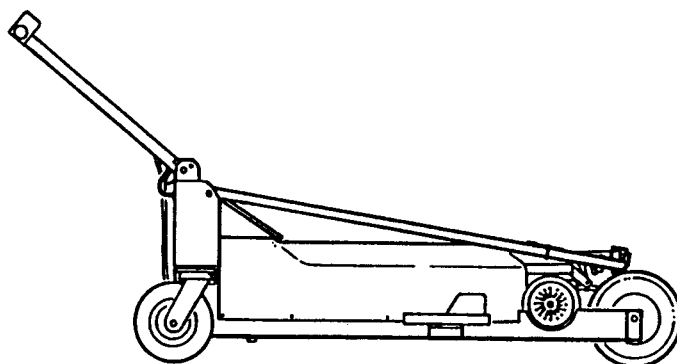


# ROBINSON HELICOPTER COMPANY

## MT900 GROUND HANDLING CART

### OPERATING INSTRUCTIONS, MAINTENANCE MANUAL, AND ILLUSTRATED PARTS CATALOG



Robinson Helicopter Company  
2901 Airport Drive  
Torrance, California 90505-6115  
UNITED STATES

Phone: (310) 539-0508  
Fax: (310) 539-5198  
Web: [www.robinsonheli.com](http://www.robinsonheli.com)  
Email: [customerservice@robinsonheli.com](mailto:customerservice@robinsonheli.com)

#### OFFICE HOURS

Monday through Friday, 7:30 a.m. to 4:30 p.m., Pacific Time.

Lunch hour is 11:30 a.m. to 12:30 p.m.

RHC holidays are listed online at: [http://robinsonheli.com/rhc\\_technical\\_support.html](http://robinsonheli.com/rhc_technical_support.html).

#### TECHNICAL SUPPORT

Email: [techsupport@robinsonheli.com](mailto:techsupport@robinsonheli.com)

#### SPARES ORDERS

Email: [cs1@robinsonheli.com](mailto:cs1@robinsonheli.com)

For spares orders after working hours, use e-mail, fax number, or leave voice-mail message with Customer Service.

#### CORRESPONDENCE REGARDING ORDERS

All correspondence regarding orders must reference the name of the Service Center, customer purchase order number, order date, name and signature of the authorized person placing the order. All personnel placing orders on behalf of a dealer or service center must have written authorization on file at RHC.

Intentionally Blank

## CHAPTER LIST

	Introduction
Chapter 1	Operating Instructions
Chapter 2	Maintenance Manual
Chapter 3	Illustrated Parts Catalog
Chapter 4	Revision Log
Appendix A	Alphabetical Index
Appendix B	Numerical Index

Intentionally Blank

## CATALOG FEATURES

### INTRODUCTION

The catalog features:

1. A table of contents located in the front of the catalog.
2. Alphabetical and numerical indexes located in the back of the catalog.

### PART DESIGNATION

Robinson parts are designated with a part number prefix "A", "B", "C", "D", or "E" followed by three digits and a dash number, such as A101-1. Robinson special tools are designated with a part number prefix "MT". For standard hardware items such as bolts, nuts, screws, etc., "AN", "MS", and "NAS" part numbers are used. When a rivet length is not specified, length must be determined by installer.

In some instances, vendor part numbers are also used.

### ABBREVIATIONS

Assy - assembly	LH and RH - left hand and right hand
A/R - as required	MM - Maintenance Manual
Cont'd - continued	MR - main rotor
Fig. - figure	Ref - Part(s) "referenced" for clarity
Incl - includes	RHC - Robinson Helicopter Company
max - maximum	TR - tail rotor
min - minimum	

### ORDERING AND SHIPPING

All orders must include instructions for shipping. All parts or components shipped to RHC must include a signed Component Return/Authorization Form. Return shipments must be paid for by the dealer or distributor. NOTE: Handling fees will be applied to all orders received which are under \$1,000.00. Orders shipped on an A.O.G. basis (24 hours domestic, 48 hours foreign) will be assessed additional charges.

### WARRANTY

RHC will apply the same 1-year or 1000-hour RHC limited warranty to all parts and components purchased from RHC.

### RETURNS

No unused parts may be returned to RHC for credit if the parts show any indication whatsoever of use or damage, or if the cost of the individual part was less than \$25 (U.S.). Parts returned within 30 days of purchase will be assessed a 20% restocking fee. No parts may be returned after 30 days without prior RHC approval. Any parts approved for return after 30 days will be assessed a 50% restocking fee.

### REVISIONS

Before using this catalog, be sure it includes all current revised pages. A list of revised pages is located in the revision log in front of the catalog. If a new parts catalog is purchased, be sure to complete and mail the revision service application found in front of the catalog. This will ensure that you will receive all current revisions as they are published for a one-year period. The revision status of Robinson Technical Publications can be referenced on the internet at [www.robinsonheli.com](http://www.robinsonheli.com).

RHC reserves the right to cancel, add or change the parts and assemblies described in this catalog without notice.

**PART INTERCHANGEABILITY**

The following parts are interchangeable. Unless noted otherwise, whenever one part is referred to in this catalog, its substitute part is also permitted.

<u>PART:</u>	<u>INTERCHANGEABLE WITH:</u>
AN340 nut . . . . .	MS35649 nut per NASM35649 except AN340B8 nut
AN345 nut . . . . .	MS35650 nut per NASM35650
AN364 nut . . . . .	MS21083 nut per NASM21083
AN507 screw . . . . .	MS24693 screw per NASM24693
AN509 screw . . . . .	MS24694 screw per NASM24694
AN515 screw . . . . .	MS35206 screw per NASM35206
AN515C screw . . . . .	MS51957 screw
AN515UB screw . . . . .	B567-__ screw
AN525 & AN526 screw . . . . .	MS27039C screw per NASM27039
AN814 & MS24391 plug . . . . .	AS5169 plug
AN815 & MS24392 union . . . . .	AS5174 union
AN819 & MS20819 sleeve . . . . .	AS5176 sleeve
AN822 & MS20822 elbow . . . . .	AS5195 elbow
AN823 & MS20823 elbow . . . . .	AS5196 elbow
AN825 & MS20825 tee . . . . .	AS5197 tee
AN826 & MS20826 tee . . . . .	AS5198 tee
AN894 & MS24398 bushing . . . . .	AS5173 bushing
AN900 gasket . . . . .	MS35769 gasket per AS35769
AN924 nut & MS24400 nut . . . . .	AS5178 nut
AN931 grommet . . . . .	MS35489 grommet
AN935 lockwasher . . . . .	B332-__ lockwasher
AN936 lockwasher . . . . .	MS35335 lockwasher
AN960-4L washer . . . . .	NAS1149FN416P washer
AN960-4 washer . . . . .	NAS1149FN432P washer
AN960-6L washer . . . . .	NAS1149FN616P washer
AN960-6 washer . . . . .	NAS1149FN632P washer
AN960-8L washer . . . . .	NAS1149FN816P washer
AN960-8 washer . . . . .	NAS1149FN832P washer
AN960-10L washer . . . . .	NAS1149F0332P washer
AN960-10 washer . . . . .	NAS1149F0363P washer
AN960-416L washer . . . . .	NAS1149F0432P washer
AN960-416 washer . . . . .	NAS1149F0463P washer
AN960-516L washer . . . . .	NAS1149F0532P washer
AN960-516 washer . . . . .	NAS1149F0563P washer
AN960-616L washer . . . . .	NAS1149F0632P washer
AN960-616 washer . . . . .	NAS1149F0663P washer
AN960-816L washer . . . . .	NAS1149F0816P washer
AN960-816 washer . . . . .	NAS1149F0832P washer
AN960-1016L washer . . . . .	NAS1149F1032P washer
AN960-1016 washer . . . . .	NAS1149F1063P washer
AN960PD8L washer . . . . .	NAS1149DN816P washer
AN960PD416L washer . . . . .	NAS1149D0416J washer
AN960PD516L washer . . . . .	NAS1149D0516J washer
AN960PD616L washer . . . . .	NAS1149D0616J washer
AVDEL 1693 rivet . . . . .	AVDEL 1691 rivet
MS20604ML4W1 rivet . . . . .	MS20604M4W1 rivet per NASM20604
MS21919DG clamp . . . . .	MS21919WDG clamp or AS21919 clamp
NAS1291 nut . . . . .	MS21042L nut per NASM21042
NAS1303 thru NAS1320 bolt . . . . .	NAS6603 thru NAS6620 bolt*
NAS487 instrument nut . . . . .	MS33737 Instrument nut per NASM33737
NAS679A nut . . . . .	NAS1291-__ nut or MS21042L nut per NASM21042
NAS679C M nut . . . . .	NAS1291C M nut
NAS696 nutplate . . . . .	MS21071 nutplate per NASM21071
NAS698 nutplate . . . . .	MS21073 nutplate per NASM21073

\*The following bolts must be NAS1300 series only: NAS1304-17, -28, -35, -37, & -38, and NAS1305-35.

CHAPTER 1  
OPERATING INSTRUCTIONS

<u>Section</u>	<u>Title</u>	<u>Page</u>
1-00	Description . . . . .	1.1
1-10	Controls . . . . .	1.1
1-20	Operating Instructions . . . . .	1.2

Intentionally Blank



CHAPTER 1  
OPERATING INSTRUCTIONS

1-00 Description

The MT900 Ground Handling Cart is a self-contained tug designed for use with the R22 (S/N 2500 & on) and R44 Helicopters. The ground handling cart allows a single operator to easily move the helicopter on a smooth hard surface with the standard ground handling wheels attached. To use, the operator simply guides the cart until the socket on the cart's lifting arm lines up with the helicopter's ground handling ball, then raises the arm using push-button controls, attaches the ground handling wheels and pulls or pushes the helicopter away.

The ground handling cart is driven by a 1-hp, 24-volt D.C. motor powered by two 12-volt batteries connected in series. Charging the batteries is accomplished through the use of a fully automatic on-board charger, and a door above the batteries provides access to the battery terminals for helicopter jump starting.

1-10 Controls

All operator controls are located on control handle for easy accessibility and consist of the following:

**Power Switch:** Toggle switch, switches batteries on or off.

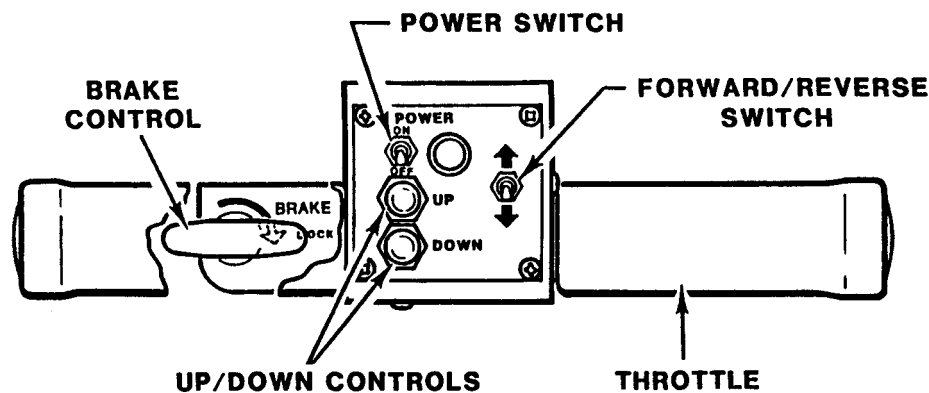
**Up/Down Controls:** Push buttons, raise or lower lifting arm.

**Forward/Reverse:** Toggle switch, changes cart direction of travel. The direction is indicated by arrows.

**Throttle:** Twist-grip throttle controls speed of cart. Rolling throttle clockwise increases speed.

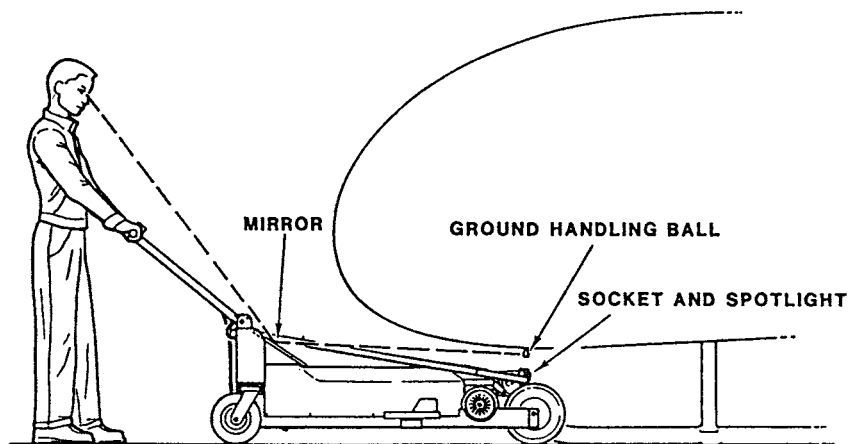
**Control Handle:** Side-to-side motion of control handle is used to guide cart.

**Brake Push-Pull Control:** Pulling up on handle applies brake; turning handle clockwise locks brake for parking.



1-20 Operating Instructions

1. Unplug charging cord from wall receptacle and stow in compartment.
2. Switch battery power on.
3. Confirm that lift arm is completely lowered by pressing "DOWN" push button.
4. Verify parking brake is fully disengaged.
5. Place forward/reverse switch in the desired direction of travel and apply throttle.
6. Approach helicopter from front along its centerline until cart reaches helicopter nose.
7. Look in mirror and guide socket on lifting arm to helicopter ground handling ball.
8. Stop cart when spotlight shines on ground handling ball.



9. While watching to be sure ball enters the socket, press the "UP" button and raise lifting arm until it stops. Set parking brake if required.

**WARNING**

**Helicopter gross weight during lifting not to exceed 1950 lb.**

10. Install ground handling wheels per Section 8 of Pilot's Operating Handbook.

**CAUTION**

When attaching and detaching ground handling wheels, the handle has a tendency to snap over.

**NOTE**

While installing ground handling wheels, verify ball is properly engaged in socket.

1-20 Operating Instructions (continued)

11. Release parking brake and maneuver helicopter as necessary.

**CAUTION**

Care must be taken while moving helicopter in confined areas. Small side-to-side movements at the ground handling ball are amplified greatly at tail of helicopter.

12. When helicopter is at the desired location, press "DOWN" button to lower arm.
13. Return ground handling wheels to holders on each side of cart and back cart away from helicopter.
14. Switch cart power off and plug charger into wall receptacle.

Intentionally Blank

CHAPTER 2  
MAINTENANCE MANUAL

<u>Section</u>	<u>Title</u>	<u>Page</u>
2-10	Charging . . . . .	2.1
2-20	Drive Chain . . . . .	2.1
2-30	Electrical Schematics . . . . .	2.3

Intentionally Blank

CHAPTER 2  
MAINTENANCE MANUAL

2-10 Charging

To charge batteries, plug in cord found in compartment at base of handle. Two lights on end of charger opposite power cord indicate status: red light indicates power on, yellow light indicates charging and turns green when fully charged. To ensure that batteries are always fully charged, and to increase their life, leave cart plugged in when not in use. The charger is automatic and will not overcharge batteries.

**NOTE**

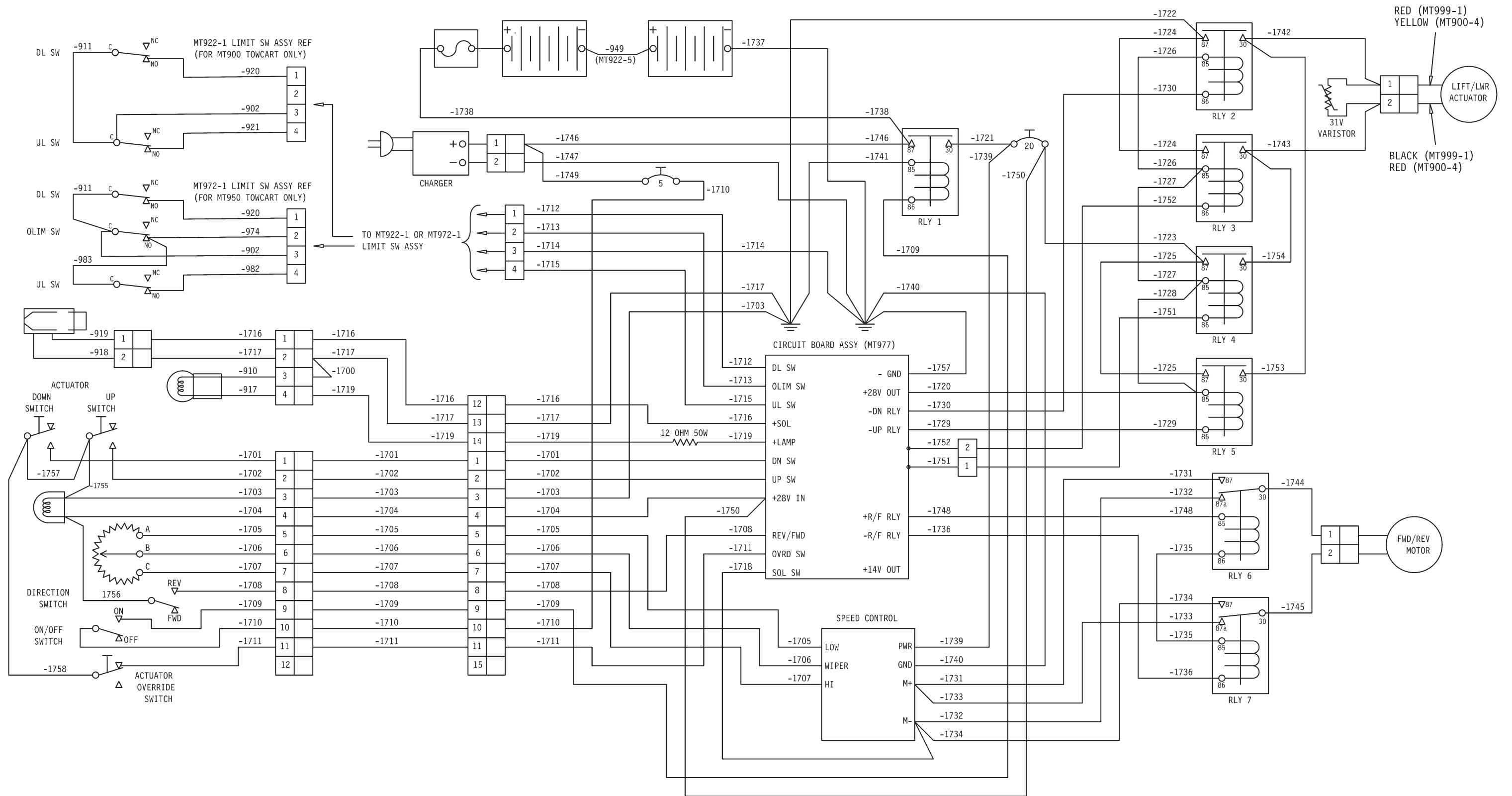
Before first use, voltage selector on charger (next to power cord connector) must be set correctly for AC power source being used. Use 115V setting USA/Canada (115 VAC) and Japan (100 VAC); use 230V setting for UK (240 VAC) and Europe (220 VAC). Supplied power cord fits USA outlets, but is easily replaced by any cord with standard IEC-320/C13 type connector.

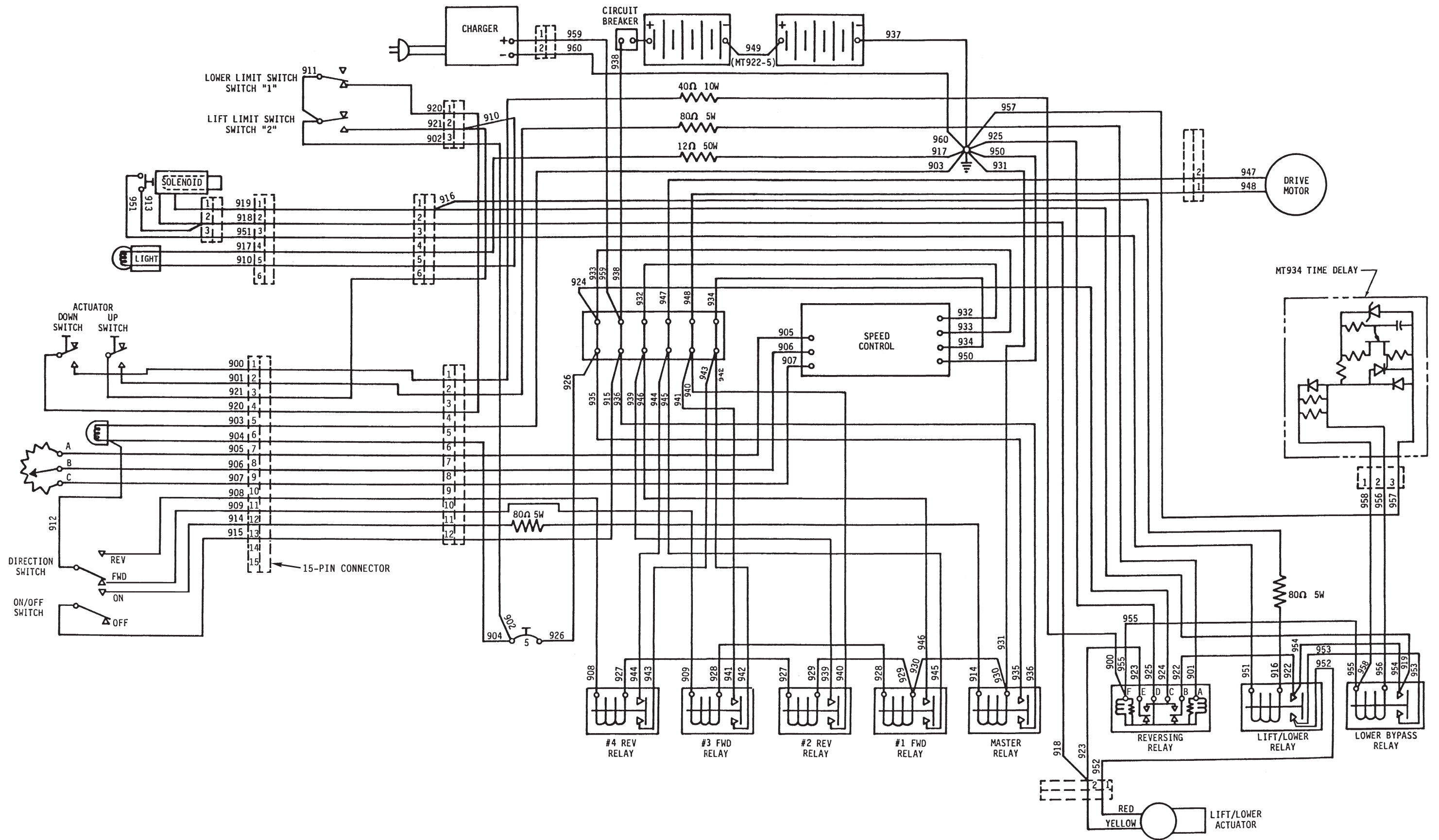
2-20 Drive Chain

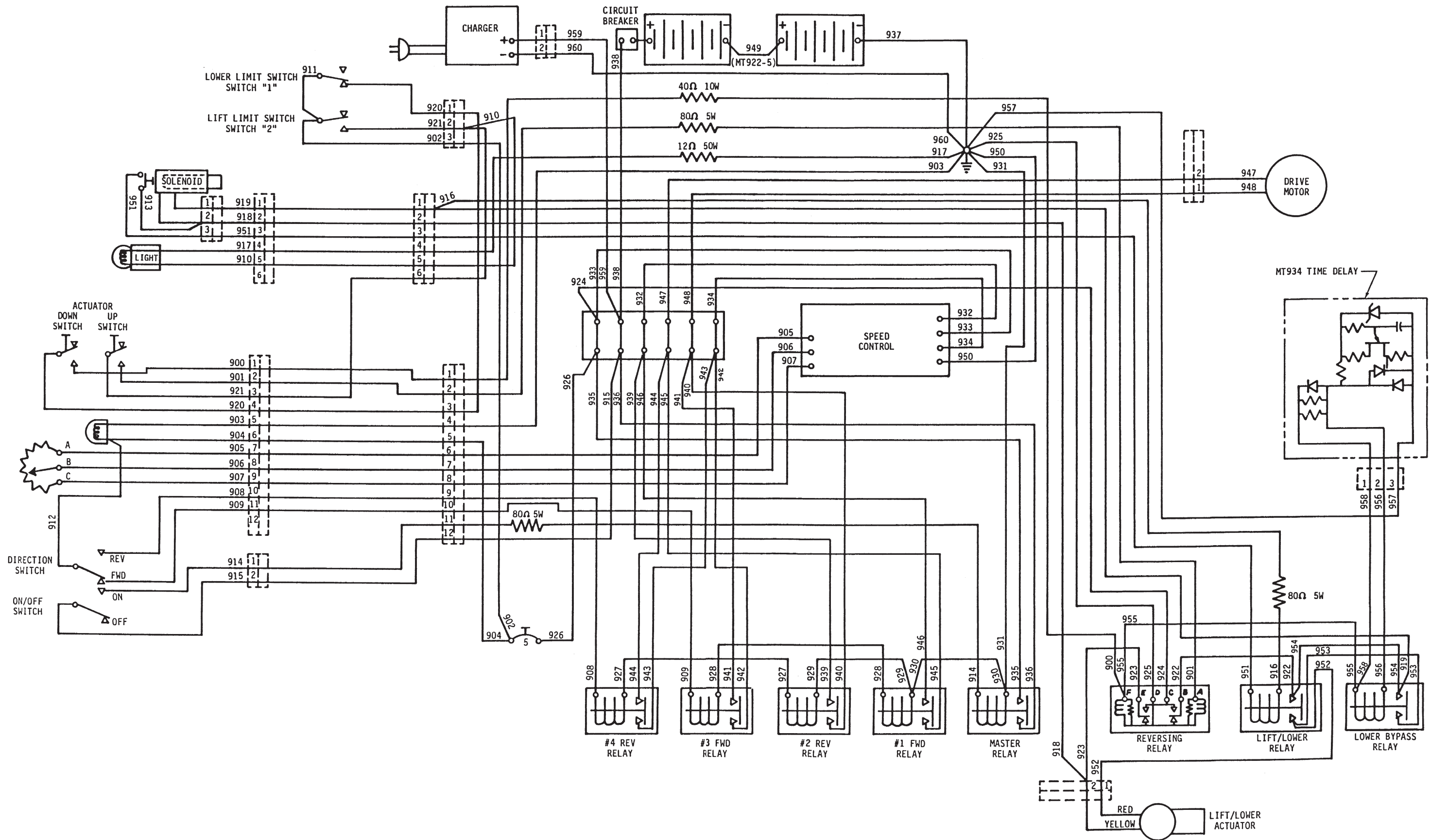
The drive chain must be kept well lubricated and free of dirt.

Intentionally Blank









Intentionally Blank

## CHAPTER 3

## ILLUSTRATED PARTS CATALOG

<i>Figure</i>	<i>Title</i>	<i>Page</i>
3-1	MT900-1 Tow Cart Assembly . . . . .	3.0
3-7	MT900-1 Tow Cart - Electrical Components . . . . . REVISION "J" AND PRIOR	3.6
3-11	MT900-1 Tow Cart - Drive Components . . . . .	3.10
3-13	MT900-1 Tow Cart - Brake Components . . . . .	3.12
3-15	MT900-1 Tow Cart - Handle Assembly . . . . .	3.14
3-19	MT900-1 Tow Cart - Battery & Charger Installation . . . . .	3.18

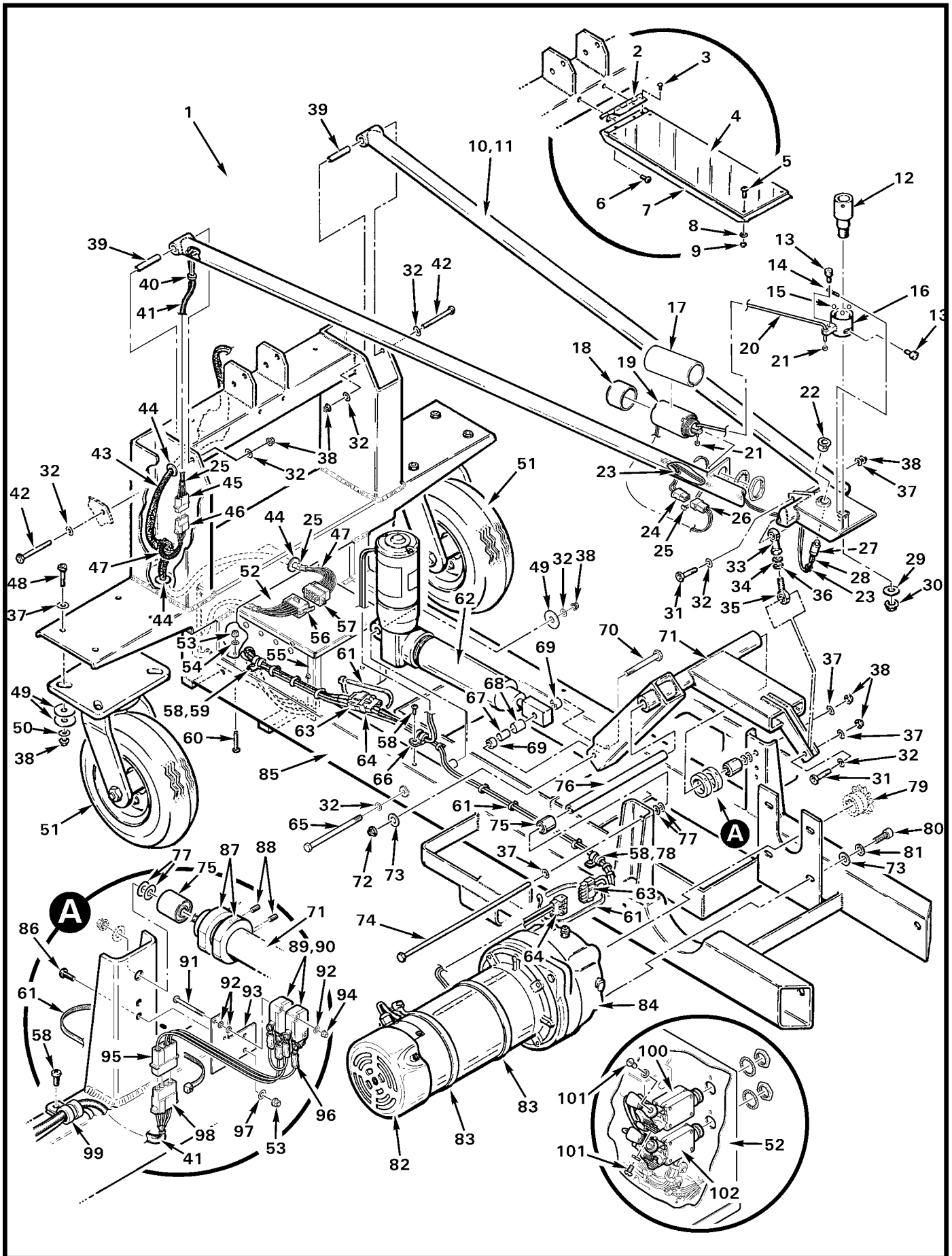


FIGURE AND INDEX NUMBER	PART NUMBER	DESCRIPTION	PARTS AVAIL	QTY PER ASSY
<b>MT900-1 TOW CART ASSEMBLY*</b>				
3-1-1	MT900-1	Tow Cart Assembly (includes all components in Figures 3-1 thru 3-19) . . . . .	X	1
2	MT933-4	Hinge . . . . .	X	1
3	MS20470AD4	Rivet . . . . .	X	4
4	MT933-1	Mirror Assembly (includes MT933-2 mirror, and items 2, 3, and 5 thru 9) . . . . .	X	1
	MT933-2	Mirror . . . . .	X	1
5	MS27039C0807	Screw . . . . .	X	4
6	MS27039C0806	Screw . . . . .	X	2
7	MT933-3	Brace . . . . .	X	1
8	NAS1149FN816P	Washer . . . . .	X	4
9	MS21042L08	Nut . . . . .	X	5
10	MT904-1	Arm Assembly - Long (Incl items 11 thru 22, 24, 25, 27 thru 30, 40, 41, and 45) . . . . .	X	1
11	MT929-1	Weldment - Arm Assembly . . . . .	X	1
12	MT909-2	Socket . . . . .	X	1
13	NAS1352-08LE6P	Screw . . . . .	X	2
14	E0240-026-075S	Spring . . . . .	X	1
15	B208-1	Ball . . . . .	X	3
16	MT909-1	Sleeve Weldment . . . . .	X	1
17	MT904-3	Cover . . . . .	X	1
18	1.500-16	End Cap . . . . .	X	1
19	MT904-4	Solenoid Assembly (Includes item 26 and wires. Large washer and nut included with solenoid assembly.) . . . . .	X	1
20	MT910-1	Wire . . . . .	X	1
21	57485K62	Collar . . . . .	X	2
22	MT940-1	Cap - Light . . . . .	X	1
23	MS35489-1	Grommet . . . . .	X	2
24	MT922-3	Harness Assembly - Solenoid (Includes B263-13 housing with [2] B263-2 sockets, [2] B263-1 pins, item 23, and wires.) . . . . .	X	1
25	MS3367-4-9	Ty-Rap . . . . .	X	2
26	B263-12	Housing . . . . .	X	1
	B263-1	Pin . . . . .	X	2

NOTES \* See R66 Illustrated Parts Catalog (IPC) Figure 99-13 for shipping crate.

Continues

FIGURE AND INDEX NUMBER	PART NUMBER	DESCRIPTION	PARTS AVAIL	QTY PER ASSY
<b>MT900-1 TOW CART ASSEMBLY (Cont'd)</b>				
3-1-27	L8017	Lamp . . . . .	X	1
28	MT922-2	Wire Harness - Lamp (includes wires, B158-3 heat shrink, pins, and item 23) . . . . .	X	1
	B263-1	Pin . . . . .	X	2
29	NAS1149F0863P	Washer . . . . .	X	1
30	NAS1291-8	Nut . . . . .	X	1
31	NAS6604-11	Bolt . . . . .	X	2
32	NAS1149F0432P	Washer . . . . .	X	6
33	A102-4	Rod End . . . . .	X	1
34	AN316-5R	Nut . . . . .	X	1
35	A101-4	Rod End . . . . .	X	1
36	B330-16	Palnut . . . . .	X	1
37	NAS1149F0463P	Washer . . . . .	X	10
38	MS21042L4	Nut . . . . .	X	13
39	MT920-4	Spacer . . . . .	X	2
	A257-1	Grease (to cover MT920-4 spacers) . . . . .	X	A/R
40	MS35489-4	Grommet . . . . .	X	1
41	B266-4	Sleeving (0.25 in. dia) . . . . .	X	A/R
42	NAS6604-31	Bolt . . . . .	X	2
43	B266-8	Sleeving (0.50 in. dia) . . . . .	X	A/R
44	MS35489-40	Grommet . . . . .	X	3
45	B263-16	Housing (connects to items 23 and 32) . . . . .	X	1
	B263-1	Pin . . . . .	X	10
46	B263-17	Housing . . . . .	X	1
	B263-2	Socket . . . . .	X	4
47	MT969-3	Wire Harness Assembly (includes items 43, 44, 56, wires, and sockets) . . . . .	O	1
48	NAS6604-10	Bolt . . . . .	X	8
49	AN970-4	Washer . . . . .	X	17
50	A214-6	Washer . . . . .	X	8
51	S-7008	Caster . . . . .	X	2
52	MT970-1	Box Assembly - Electrical Control (includes items 41, 43, 56, 63, 100, and 101) . . . . .	X	1

NOTES

Continues



FIGURE AND INDEX NUMBER	PART NUMBER	DESCRIPTION	PARTS AVAIL	QTY PER ASSY
MT900-1 TOW CART ASSEMBLY (Cont'd)				
3-1-53	MS21042L08	Nut . . . . .	X	2
54	NAS1149FN816P	Washer . . . . .	X	4
55	A701-1	Tape - Aluminum (on 2 corners) . . . . .	X	A/R
56	B263-24	Housing . . . . .	X	1
	B263-1	Pin . . . . .	X	13
57	B263-25	Housing . . . . .	X	1
	B263-2	Socket . . . . .	X	14
58	MS27039C1-06	Screw . . . . .	X	5
59	MS21919WDG8	Clamp . . . . .	X	1
60	MS27039C0810	Screw . . . . .	X	4
61	MS3367-4-9	Ty-rap . . . . .	X	A/R
62	MT900-4	Actuator Assembly (Incl item 64) . . . . .	X	1
	MPD6404-6	Actuator . . . . .	O	1
63	B263-67	Plug . . . . .	X	2
	B263-56	Socket (one each plug) . . . . .	O	2
64	B263-68	Housing . . . . .	X	2
	B263-55	Pin . . . . .	X	4
65	AN4-43A	Bolt . . . . .	X	1
66	MS21919WDG7	Clamp . . . . .	X	1
67	MT920-5	Spacer . . . . .	X	1
68	LJS0712	Bearing . . . . .	X	1
69	MT920-6	Spacer . . . . .	X	2
70	NAS6605-24	Bolt . . . . .	X	1
71	MT902-1	Weldment - Lifting Arm . . . . .	X	1
72	MS21042L5	Nut . . . . .	X	1
73	NAS1149F0563P	Washer . . . . .	X	4
74	25F1100HF5DZ	Bolt . . . . .	X	1
75	C647-17	Bearing . . . . .	O	2
76	MT912-1	Spacer . . . . .	X	1
77	NAS1149F0432P	Washer (to fill gap between item 71 and posts) . . . . .	X	A/R
78	MS21919WDG6	Clamp . . . . .	X	1
79	R5364	Sprocket (Ref, see Figure 3-11)		

NOTES

Continues

FIGURE AND INDEX NUMBER	PART NUMBER	DESCRIPTION	PARTS AVAIL	QTY PER ASSY
MT900-1 TOW CART ASSEMBLY (Cont'd)				
3-1-80	MS20074-05-05	Bolt . . . . .	X	4
81	B332-45	Lockwasher . . . . .	X	4
82	MT900-3	Motor Assembly (includes item 64 [one connector and two pins]) . . . . .	X	1
83	MS3367-6-0	Ty-rap . . . . .	X	2
84	MT996-1	Speed Reducer (includes hardware for attachment to item 82)	X	1
85	MT901-1	Frame Weldment . . . . .	X	1
86	MS27039C0807	Screw . . . . .	X	2
87	MT915-2	Collar . . . . .	X	2
88	52025	Set Screw . . . . .	X	2
89	MT922-1	Wire Harness Assembly - Limit Switches (Incl items 90 thru 96, and wires) . . . . .	X	1
90	V3-1	Switch . . . . .	X	2
91	MS35206-222	Screw . . . . .	X	2
92	NAS620-4	Washer . . . . .	X	6
93	MT915-1	Bracket . . . . .	X	1
94	MS21042L04	Nut . . . . .	X	2
95	B263-16	Housing . . . . .	X	1
	B263-1	Pin . . . . .	X	3
96	B260-2	Terminal . . . . .	X	4
	B158-3	Heat Shrink (for unused switch terminals) . . . . .	X	A/R
97	NAS1149FN832P	Washer . . . . .	X	2
98	B263-17	Housing . . . . .	X	1
	B263-4	Socket . . . . .	X	4
99	MS21919WDG5	Clamp . . . . .	X	2
100	B297-20	Circuit Breaker (includes lockwasher and nut) . . . . .	X	1
101	MS35206-226	Screw (replaces screw supplied with B297-20 circuit breaker)	X	2
102	B297-5	Circuit Breaker (includes lockwasher and nut) . . . . .	X	1

NOTES

Intentionally Blank

ADAPTERS REQUIRED WITH MT970-1  
ELECTRICAL CONTROL BOX ASSEMBLY.

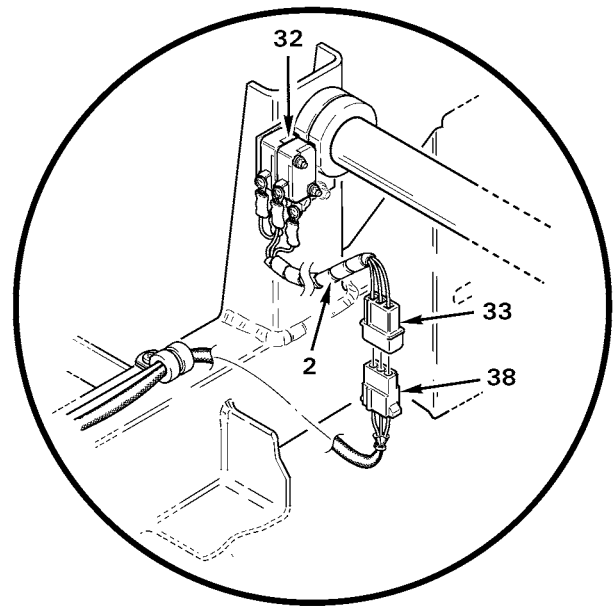
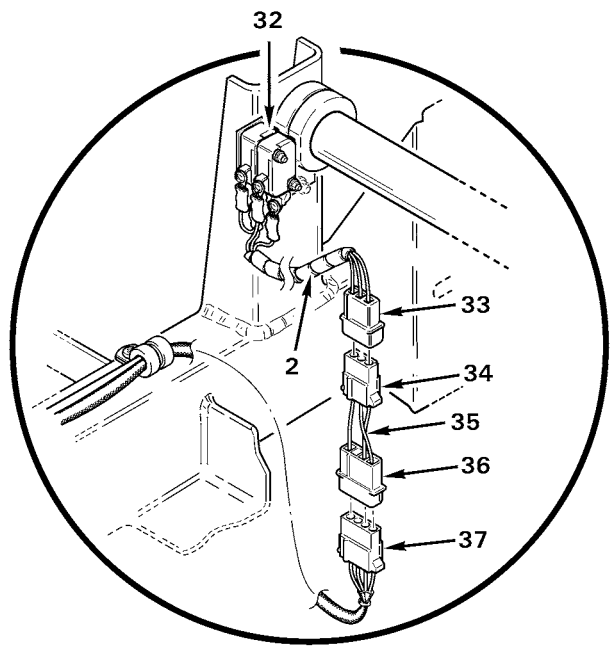
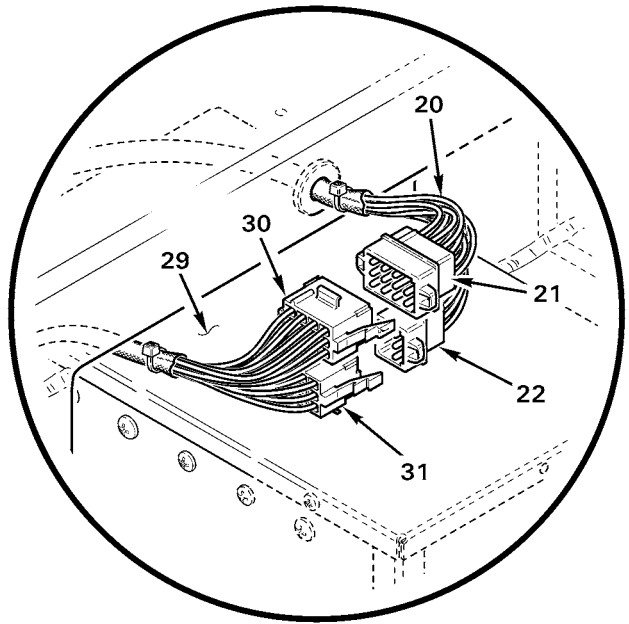
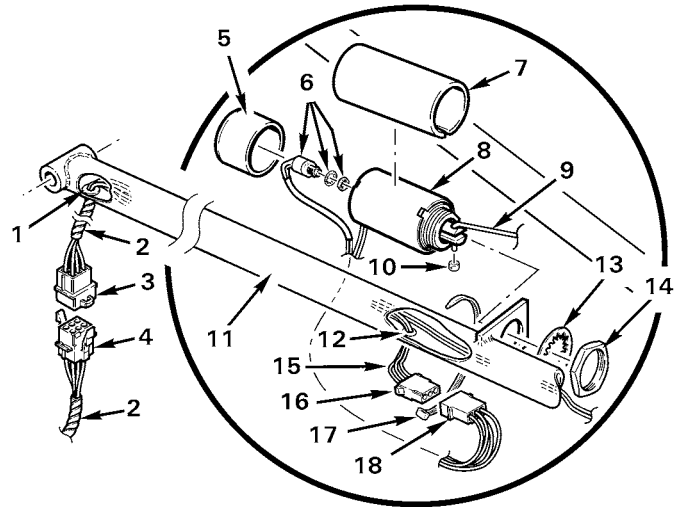
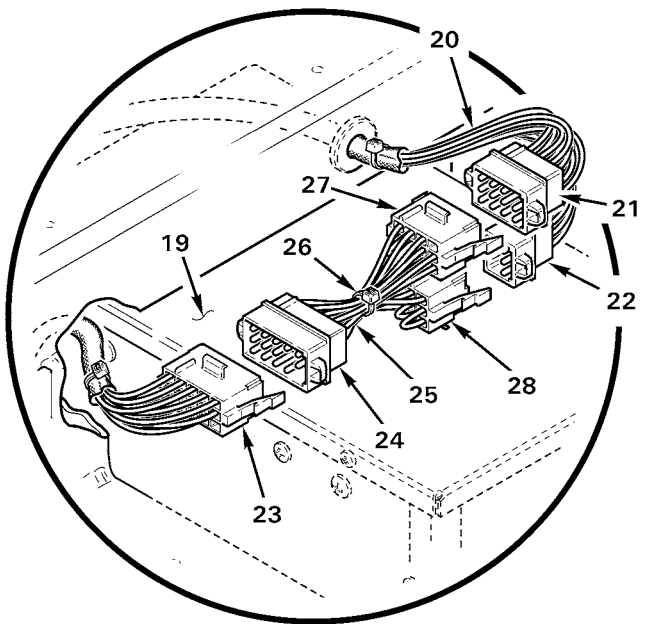


FIGURE AND INDEX NUMBER	PART NUMBER	DESCRIPTION	PARTS AVAIL	QTY PER ASSY
		MT900-1 TOW CART - ELECTRICAL COMPONENTS (Revision "J" and Prior)		
3-7-1	M35489-4	Grommet (Ref)		
2	B161-4	Spirap . . . . .	X	A/R
3	B263-18	Housing . . . . .	X	1
	B263-1	Pin . . . . .	X	5
4	B263-19	Housing . . . . .	X	1
	B263-2	Socket . . . . .	X	5
5	1.500-16	End Cap . . . . .	X	1
6	B227-2	Switch Assembly (includes lockwasher and nut) . . . . .	X	1
7	MT904-3	Cover . . . . .	X	1
8	MT904-2	Solenoid Assembly (includes items 6, 13, 14, 18, wires and heat shrink) . . . . .	X	1
9	MT910-1	Wire (Ref)		
10	57485K62	Collar . . . . .	X	1
11	MT904-1	Arm Assembly (Ref)		
12	MS35489-1	Grommet . . . . .	X	1
13	-	Washer . . . . .	O	1
14	-	Nut . . . . .	O	1
15	MT922-3	Harness Assembly (Ref; superseded)		
16	B263-15	Housing . . . . .	X	1
	B263-2	Socket . . . . .	X	3
17	MS3367-4-9	Ty-rap . . . . .	X	1
18	B263-14	Housing . . . . .	X	1
	B263-3	Pin . . . . .	X	1
	B263-1	Pin . . . . .	X	2
19	MT970-1*	Box Assembly - Electrical Control (Ref, supersedes MT925-1. See also Figure 3-1.)		
20	MT922-4	Wire Harness Assembly (Ref; superseded)		
21	B263-22	Housing . . . . .	X	1
	B263-1	Pin . . . . .	X	12
22	B263-18	Housing . . . . .	X	1
	B263-1	Pin . . . . .	X	6

NOTES \* If replacing MT925-1, order items 25 and 36.

Continues

FIGURE AND INDEX NUMBER	PART NUMBER	DESCRIPTION	PARTS AVAIL	QTY PER ASSY
		MT900-1 TOW CART - ELECTRICAL COMPONENTS (Cont'd) (Revision "J" and Prior)		
3-7-23	B263-25	Housing . . . . .	X	1
	B263-2	Socket . . . . .	X	14
24	B263-24	Housing . . . . .	X	1
	B263-1	Pin . . . . .	X	14
25	MT948-1	Harness Adapter Assembly (Incl items 24, and 26 thru 28) . . . . .	X	1
26	MS3367-4-9	Ty-rap . . . . .	X	1
27	B263-23	Housing . . . . .	X	1
	B263-2	Socket . . . . .	X	11
28	B263-19	Housing . . . . .	X	1
	B263-2	Socket . . . . .	X	5
29	MT925-1	Box Assembly - Electrical Control (Ref, superseded)		
30	B263-23	Housing . . . . .	X	1
	B263-2	Socket . . . . .	X	12
31	B263-19	Housing . . . . .	X	1
	B263-2	Socket . . . . .	X	6
32	MT922-1	Wire Harness Assembly (Ref; includes item 33. Rev "D" thru Rev "I" shown; Rev "I" and prior no longer available.)		
	MS35206-222	Screw . . . . .	X	2
	MT915-1	Bracket . . . . .	X	1
	NAS620-4	Washer . . . . .	X	6
	V3-1	Switch . . . . .	X	2
	B260-2	Terminal . . . . .	X	4
	B158-2	Heat Shrink . . . . .	X	A/R
	MS21042L04	Nut . . . . .	X	2
33	B263-14	Housing . . . . .	X	1
	B263-1	Pin . . . . .	X	3
34	B263-15	Housing . . . . .	X	1
	B263-2	Socket . . . . .	X	3
35	MT948-2	Harness Adapter Assembly (Incl items 34 and 36) . . . . .	X	1
36	B263-16	Housing . . . . .	X	1
	B263-1	Pin . . . . .	X	3

NOTES

Continues

FIGURE AND INDEX NUMBER	PART NUMBER	DESCRIPTION	PARTS AVAIL	QTY PER ASSY
		MT900-1 TOW CART - ELECTRICAL COMPONENTS (Cont'd) (Revision "J" and Prior)		
3-7-37	B263-17	Housing . . . . .	X	1
	B263-2	Socket . . . . .	X	4
38	B263-15	Housing . . . . .	X	1
	B263-2	Socket . . . . .	X	3
NOTES				

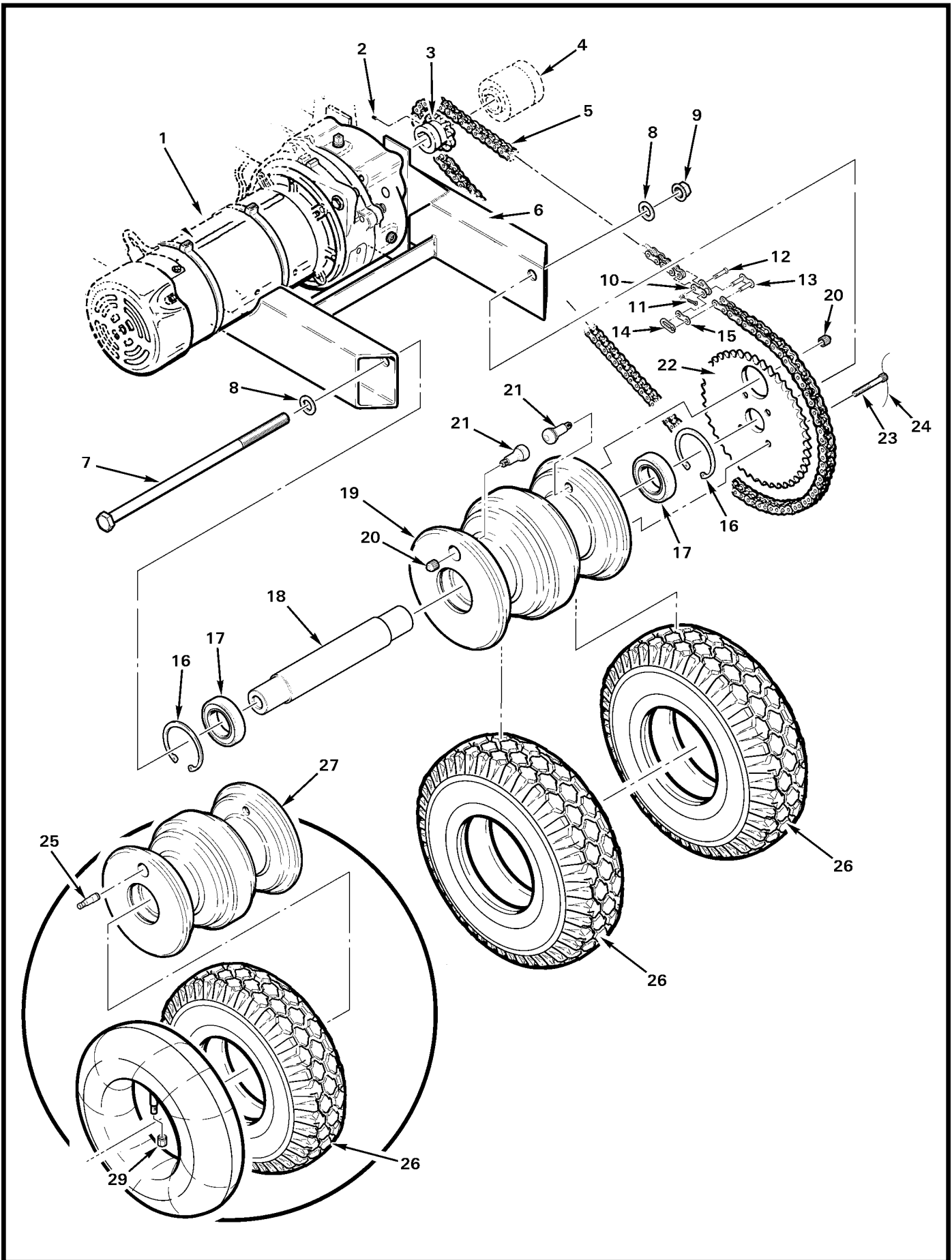




FIGURE AND INDEX NUMBER	PART NUMBER	DESCRIPTION	PARTS AVAIL	QTY PER ASSY
		<b>MT900-1 TOW CART - DRIVE COMPONENTS</b>		
3-11-1	MT900-3	Motor Assembly (Ref, see also Figure 3-1)		
2	90289A353	Set Screw . . . . .	X	1
3	R5364	Sprocket (Incl item 2) . . . . .	X	1
4	MT945-7	Drum (Ref, see also Figure 3-13)		
5	MT914-1	Chain Assembly (Incl items 10 and 13) . . . . .	X	1
6	MT901-1	Frame Weldment (Ref)		
7	86501970	Bolt, Axle (½-20 x 11 inches) . . . . .	X	1
8	NAS1149F0863P	Washer . . . . .	X	2
9	NAS1291-8	Nut . . . . .	X	1
10	MT914-5	Link - Offset (Incl items 11 and 12) . . . . .	X	1
11	—	Cotter Pin . . . . .	O	1
12	—	Stud . . . . .	O	1
13	MT914-3	Link - Connecting (Incl items 14 and 15) . . . . .	X	1
14	—	Spring Clip (#40) . . . . .	O	1
15	—	Plate . . . . .	O	1
16	MS16625-1218	Retaining Ring . . . . .	X	2
17	9106PP	Bearing . . . . .	X	2
18	MT959-2	Shaft . . . . .	X	1
19	MT959-3	Hub (supersedes item 27) . . . . .	X	1
20	—	Cap - Valve Stem . . . . .	O	1
21	TR-413	Valve Stem . . . . .	X	2
22	MT913-1	Sprocket . . . . .	X	1
23	NAS1352-4H30P	Screw . . . . .	X	4
24	MS20995C32	0.032 in. dia. Safety Wire . . . . .	X	A/R
25	6241-M*	Valve Extension (1.10 in. length) . . . . .	X	1
	6241-J*	Valve Extension (1.35 in. length) . . . . .	X	1
	6241-G*	Valve Extension (1.60 in. length) . . . . .	X	1
26	MT936-3	Tire . . . . .	X	2
27	MT959-1	Hub (Ref, no longer available; used with item 28)		
28	MT936-4	Inner Tube (Incl item 29) . . . . .	X	2
29	—	Cap - Valve . . . . .	O	1

NOTES \* If equipped.

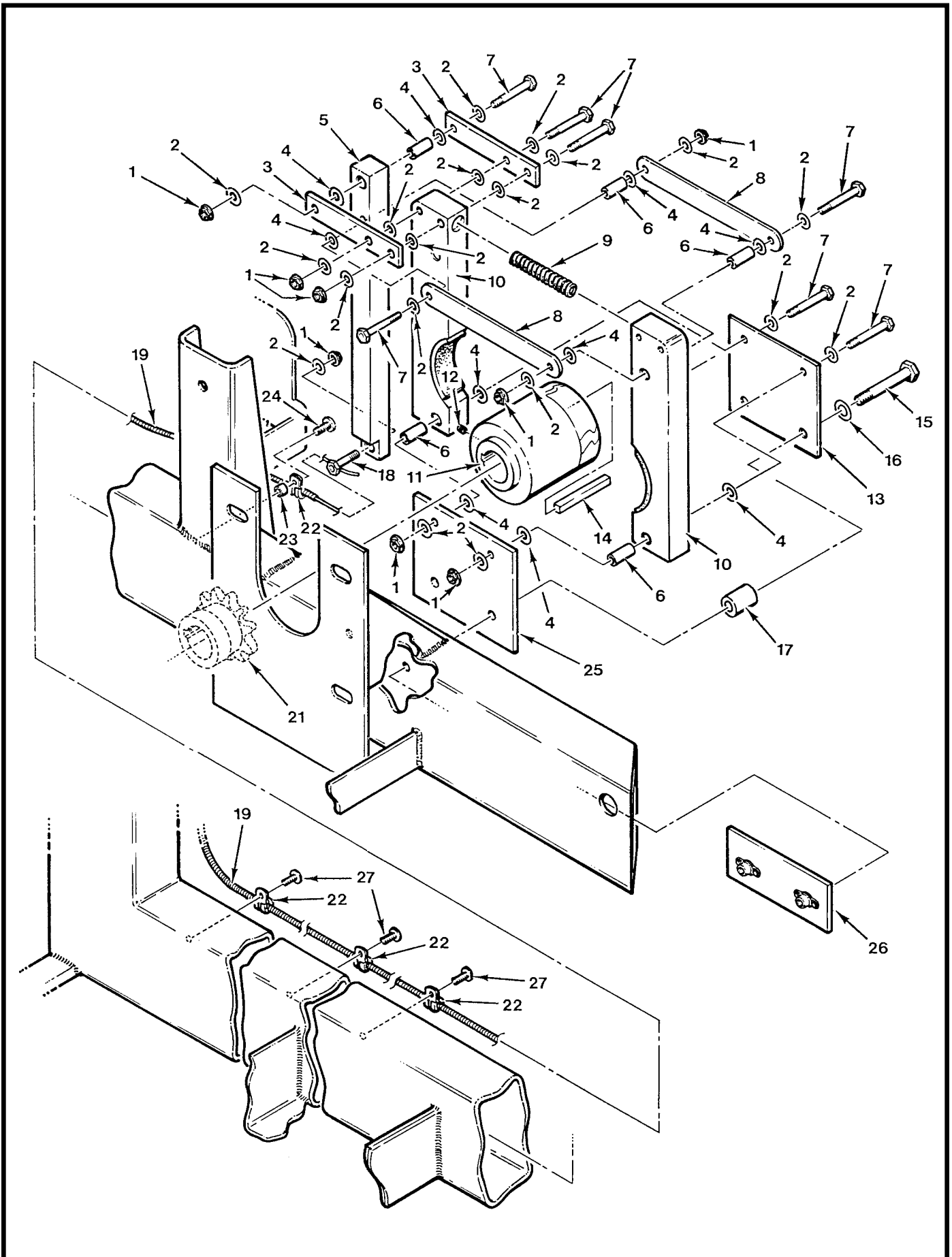


FIGURE AND INDEX NUMBER	PART NUMBER	DESCRIPTION	PARTS AVAIL	QTY PER ASSY
<b>MT900-1 TOW CART - BRAKE COMPONENTS</b>				
3-13-1	MS21042L3	Nut . . . . .	X	7
2	NAS1149F0332P	Washer . . . . .	X	18
3	MT945-3	Plate . . . . .	X	2
4	AN960PD10L	Washer . . . . .	X	10
5	MT945-5	Lever . . . . .	X	1
6	MT920-2	Spacer . . . . .	X	5
7	NAS6603-13	Bolt . . . . .	X	7
8	D113-1	Link . . . . .	X	2
9	D774-4	Spring (alternate part no. C0420-063-2000S) . . . . .	X	1
10	MT945-1	Arm Assembly . . . . .	X	2
11	MT945-7	Drum . . . . .	X	1
12	52025	Set Screw . . . . .	X	1
13	MT945-6	Bracket . . . . .	X	1
14	98870A370	Key . . . . .	X	1
15	NAS6604-18	Bolt . . . . .	X	2
16	NAS1149F0432P	Washer . . . . .	X	2
17	MT920-3	Spacer . . . . .	X	2
18	A462-4	Fitting . . . . .	X	1
19	MT943-1	Brake Control (Ref, see also Figure 3-15)	X	1
20	MT901-1	Frame (Ref)		
21	R5364	Sprocket (Ref)		
22	MS21919WDG2	Clamp . . . . .	X	4
23	A130-45	Spacer . . . . .	X	1
24	MS27039C1-07	Screw . . . . .	X	1
25	MT945-8	Bracket . . . . .	X	1
26	MT945-9	Back Assembly (includes [2] MS21069AD4 nutplates) . . . . .	X	1
27	MS27039C1-06	Screw . . . . .	X	3

NOTES

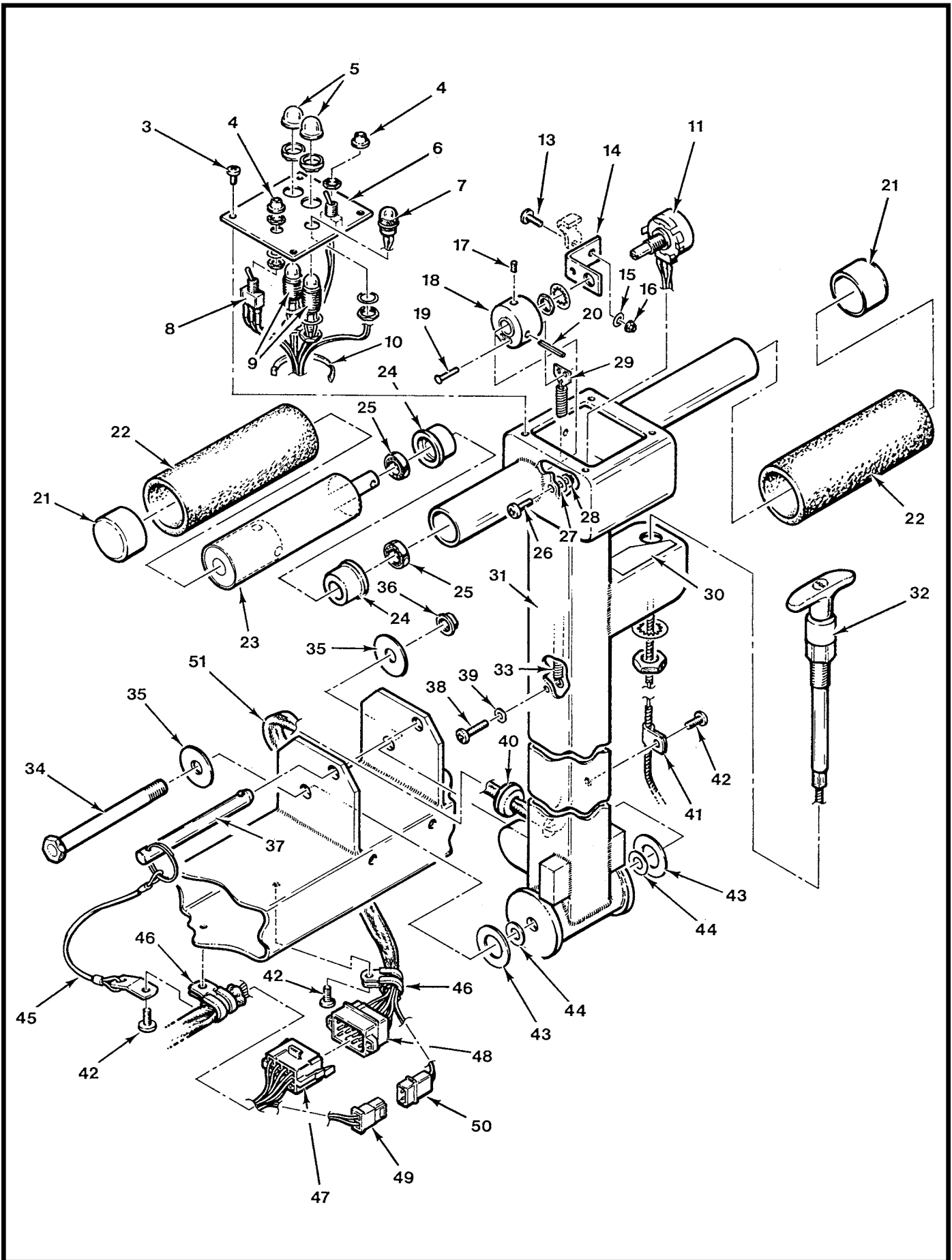


FIGURE AND INDEX NUMBER	PART NUMBER	DESCRIPTION	PARTS AVAIL	QTY PER ASSY
		<b>MT900-1 TOW CART - HANDLE ASSEMBLY</b>		
3-15-1	MT905-1	Handle Assembly (Incl items 2, 13 thru 33, and 38 thru 42) . .	X	1
2	MT923-3	Wire Harness Assembly (Incl items 4 thru 12, wires, heat shrink as an assembled unit) . . . . .	X	1
	MT923-1	Wire Harness Assembly (Superseded by MT923-3 assembly. Contact RHC Customer Service for replacement.) . . . . .	X	1
3	MS35206-227	Screw . . . . .	X	4
4	N-5032-B	Boot . . . . .	X	2
5	N-3030	Boot . . . . .	X	2
6	MT918-1	Cover . . . . .	X	1
7	B198-1	Light Assembly (includes bulb) . . . . .	X	1
	B196-21	Bulb . . . . .	X	1
8	B300-1	Switch . . . . .	X	2
9	8532-T-C-Q-E-2	Switch . . . . .	X	2
10	MS3367-4-9	Ty-Rap . . . . .	X	A/R
11	RV4NAYSD502A	Potentiometer (includes washer and nut) . . . . .	X	1
12	B263-1	Pin (not shown; for use with item 48) . . . . .	X	10
13	MS35206-228	Screw . . . . .	X	1
14	MT930-1	Bracket . . . . .	X	1
15	NAS620-6	Washer . . . . .	X	1
16	MS21042L06	Nut . . . . .	X	1
17	52025	Set Screw . . . . .	X	1
18	MT911-1	Stopper . . . . .	X	1
19	MS20426AD4	Rivet . . . . .	X	1
20	MS16562-36	Spring Pin . . . . .	X	1
21	A959-1	Cap (install using item 52) . . . . .	X	2
22	A601-1	Grip (foam; install using item 52) . . . . .	X	2
23	MT919-1	Grip Assembly . . . . .	X	1
24	MT911-4	Plug . . . . .	X	2
25	MT905-3	Bearing . . . . .	X	2
26	MS27039C0808	Screw . . . . .	X	1
27	NAS1149FN816P	Washer . . . . .	X	1
28	MS21042L08	Nut . . . . .	X	1

NOTES

Continues

FIGURE AND INDEX NUMBER	PART NUMBER	DESCRIPTION	PARTS AVAIL	QTY PER ASSY
<b>MT900-1 TOW CART - HANDLE ASSEMBLY (Cont'd)</b>				
3-15-29	MT911-3	Arm . . . . .	X	1
30	MT935-1	Decal - "Brake, Lock" . . . . .	X	1
31	MT903-1	Handle (welded assembly) . . . . .	X	1
32	MT943-1	Brake Control (includes washer and nut) . . . . .	X	1
33	E0240-037-3500S	Spring . . . . .	X	1
34	NAS6606-47	Bolt . . . . .	X	1
35	A478-1	Spring Washer . . . . .	X	2
36	MS21042L6	Nut . . . . .	X	1
37	98404A390	Pin . . . . .	X	1
38	MS35206-247	Screw . . . . .	X	1
39	B332-42	Washer . . . . .	X	1
40	MS35489-40	Grommet . . . . .	X	1
41	AN742-3	Clamp . . . . .	X	1
42	MS27039C1-06	Screw . . . . .	X	1
43	A214-10	Washer . . . . .	X	2
44	NAS1149F0632P	Washer . . . . .	X	2
45	90312A31	Lanyard . . . . .	X	1
46	MS21919WDG5	Clamp . . . . .	X	2
47	B263-23	Housing . . . . .	X	1
	B263-2	Socket . . . . .	X	10
48	B263-22	Housing . . . . .	X	1
49	B263-13	Housing . . . . .	X	1
	B263-2	Socket . . . . .	X	2
50	B263-12	Housing . . . . .	X	1
51	B266-8	Sleeving (expandable, ½ in. dia) . . . . .	X	A/R
52	B270-15	Adhesive . . . . .	X	A/R

NOTES

Intentionally Blank

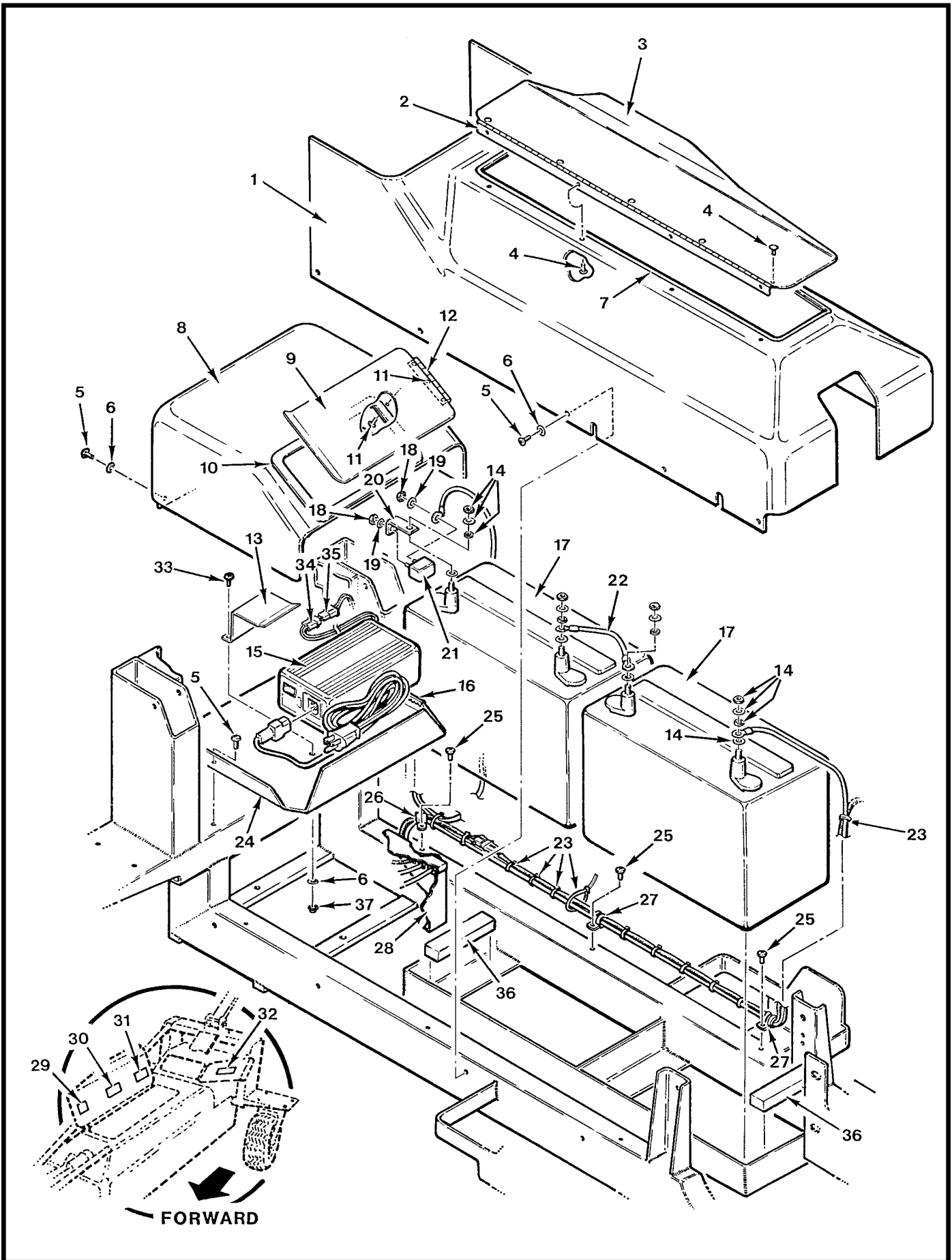




FIGURE AND INDEX NUMBER	PART NUMBER	DESCRIPTION	PARTS AVAIL	QTY PER ASSY
		<b>MT900-1 TOW CART - BATTERY &amp; CHARGER INSTALLATION</b>		
3-19-1	MT932-1	Cover Assembly - Forward (Incl items 2 thru 4, 7, and 29 thru 31) . . . . .	X	1
2	MT946-4	Hinge . . . . .	X	1
3	MT946-2	Cover . . . . .	X	1
4	MS20470AD4	Rivet . . . . .	X	9
5	MS27039C0806	Screw . . . . .	X	17
6	NAS1149FN816P	Washer . . . . .	X	13
7	A226-3	Seal (install using B270-13) . . . . .	X	A/R
	B270-13	Sealant - Silicone (3-oz tube) . . . . .	X	A/R
8	MT931-1	Cover Assembly - Aft (Incl items 9 thru 12) . . . . .	X	1
9	MT946-1	Door . . . . .	X	1
10	A226-4	Seal (install using B270-13) . . . . .	X	1
	B270-13	Sealant - Silicone (3-oz tube) . . . . .	X	A/R
11	MS20470AD3	Rivet . . . . .	X	5
12	MT946-3	Hinge . . . . .	X	1
13	MT938-2	Clip . . . . .	X	1
14	—	Hardware (nut, lockwasher, and washers supplied with battery)		
15	MT900-7	Charger Assembly (Incl item 34) . . . . .	X	1
16	MS21266-1N	Grommet . . . . .	X	A/R
17	MT955-1	Battery . . . . .	X	2
18	AN315-3R	Nut . . . . .	X	2
19	NAS1149F0332P	Washer . . . . .	X	2
20	MT939-1	Extension . . . . .	X	1
21	812040ST	Circuit Breaker . . . . .	X	1
22	MT922-5	Harness Assembly . . . . .	X	1
23	MS3367-4-9	Ty-Rap . . . . .	X	A/R
24	MT938-1	Tray - Charger . . . . .	X	1
25	MS27039C1-06	Screw . . . . .	X	3
26	MS21919WDG8	Clamp . . . . .	X	1
27	MS21919WDG5	Clamp . . . . .	X	2
28	MT970-1	Box Assembly (Ref)		

NOTES

Continues

FIGURE AND INDEX NUMBER	PART NUMBER	DESCRIPTION	PARTS AVAIL	QTY PER ASSY
MT900-1 TOW CART - BATTERY & CHARGER INSTALLATION (Cont'd)				
3-19-29	C654-45	Decal - " - " . . . . .	X	1
30	C654-44	Decal - "12V + " . . . . .	X	1
31	C654-43	Decal - "24V + " . . . . .	X	1
32	MT935-8	Decal (voltage selector/instructions) . . . . .	X	1
33	MS27039C0805	Screw . . . . .	X	2
34	B263-12	Housing . . . . .	X	1
	B263-3	Pin . . . . .	X	2
35	B263-13	Housing . . . . .	X	1
	B263-2	Socket . . . . .	X	2
36	MT906-4	Block . . . . .	X	2
37	MS21042L08	Nut . . . . .	X	2
NOTES				

CHAPTER 4  
REVISION LOG

<i>Figure</i>	<i>Title</i>	<i>Page</i>
—	Revision Log . . . . .	4.1

Intentionally Blank

## REVISION LOG

**DEC 2012**

The MT900 Ground Handling Cart Maintenance Manual and Illustrated Parts Catalog list of effective pages and effective dates are given below. If a previously issued page is not listed below, it is no longer an effective page and must be discarded. The issue or revision date is in bold at the top of each revision log page.

Please visit [www.robinsonheli.com](http://www.robinsonheli.com), under the Publications tab, to verify the issue or revision date is current. A subscription service form is included in the front of this manual.

<u>Page</u>	<u>Date</u>	<u>Page</u>	<u>Date</u>	<u>Page</u>	<u>Date</u>
i . . . . .	OCT 2011	3.8 . . . . .	OCT 2011		
ii . . . . .	OCT 2011	3.9 . . . . .	OCT 2011		
iii . . . . .	OCT 2011	3.10 . . . . .	OCT 2011		
iv . . . . .	OCT 2011	3.11 . . . . .	OCT 2011		
v . . . . .	OCT 2011	3.12 . . . . .	OCT 2011		
vi . . . . .	OCT 2011	3.13 . . . . .	OCT 2011		
		3.14 . . . . .	OCT 2011		
1.i . . . . .	OCT 2011	3.15 . . . . .	OCT 2011		
1.ii . . . . .	OCT 2011	3.16 . . . . .	OCT 2011		
1.1 . . . . .	OCT 2011	3.17 . . . . .	OCT 2011		
1.2 . . . . .	OCT 2011	3.18 . . . . .	OCT 2011		
1.3 . . . . .	OCT 2011	3.19 . . . . .	OCT 2011		
1.4 . . . . .	OCT 2011	3.20 . . . . .	OCT 2011		
2.i . . . . .	DEC 2012	4.i . . . . .	DEC 2012		
2.ii . . . . .	DEC 2012	4.ii . . . . .	DEC 2012		
2.1 . . . . .	OCT 2011	4.1 . . . . .	DEC 2012		
2.2 . . . . .	OCT 2011	4.2 . . . . .	DEC 2012		
2.3 . . . . .	DEC 2012				
2.4 . . . . .	DEC 2012	A1 . . . . .	OCT 2011		
2.5 . . . . .	DEC 2012	A2 . . . . .	OCT 2011		
2.6 . . . . .	DEC 2012	A3 . . . . .	OCT 2011		
		A4 . . . . .	OCT 2011		
3.i . . . . .	OCT 2011	A5 . . . . .	OCT 2011		
3.0 . . . . .	OCT 2011	A6 . . . . .	OCT 2011		
3.1 . . . . .	OCT 2011				
3.2 . . . . .	OCT 2011	B1 . . . . .	OCT 2011		
3.3 . . . . .	OCT 2011	B2 . . . . .	OCT 2011		
3.4 . . . . .	OCT 2011	B3 . . . . .	OCT 2011		
3.5 . . . . .	OCT 2011	B4 . . . . .	OCT 2011		
3.6 . . . . .	OCT 2011	B5 . . . . .	OCT 2011		
3.7 . . . . .	OCT 2011	B6 . . . . .	OCT 2011		

Intentionally Blank

APPENDIX A  
ALPHABETICAL INDEX

<i>Figure</i>	<i>Title</i>	<i>Page</i>
—	Alphabetical Index . . . . .	A3

Intentionally Blank



<u>Alphabetical Index</u>	<u>Page</u>	<u>Item</u>	<u>Alphabetical Index</u>	<u>Page</u>	<u>Item</u>
Actuator	3.3	62	Clamp	3.3	59
Actuator Assy.	3.3	62		3.3	66
Arm	3.15	29		3.3	78
Arm Assy.	3.13	10		3.4	99
Arm Assy., Long	3.1	10		3.13	22
	3.7	11		3.16	41
Back Assy.	3.13	26		3.16	46
Ball	3.1	15		3.19	26
Ball Bearing	3.3	75		3.19	27
Battery, 12V	3.19	17	Clip	3.19	13
Bearing	3.11	17	Collar	3.4	87
	3.15	25	Connecting Link	3.11	13
Black Vinyl Cap	3.1	18	Cover	3.1	17
	3.7	5		3.7	7
Block	3.2	36		3.15	6
Bolt	3.2	31	Cover Assy., Aft	3.19	8
	3.2	42	Cover Assy., Fwd	3.19	1
	3.2	48	Decal, + 12V	3.2	30
	3.3	65	Decal, + 24V	3.2	31
	3.3	70	Decal, -	3.2	29
	3.3	74	Decal, Brake Lock	3.16	30
	3.4	80	Decal, Charger Voltage...	3.2	32
	3.11	7	Door	3.19	3
	3.13	7		3.19	9
	3.13	15	Drum	3.11	4
	3.16	34		3.13	11
Boot, Push Button	3.15	5	Extension	3.19	20
Boot, Toggle	3.15	4	Fitting	3.13	18
Box Assy. (See MT970-1 & MT948-1)	3.8	29	Focused Light	3.2	27
Box Assy., Electrical	3.2	52	Foil Tape (180 ft. per roll)	3.3	55
	3.7	19	Frame Weldment	3.4	85
	3.19	28		3.11	6
Brace	3.1	7		3.13	20
Bracket	3.4	93	Grip	3.15	22
	3.8	32	Grip Assy.	3.15	23
	3.13	13	Grommet	3.1	23
	3.13	25		3.2	40
	3.15	14		3.2	44
Brake Control	3.13	19		3.7	1
	3.16	32		3.7	12
Bushing	3.3	68		3.16	40
Cap, Collective, LH	3.15	21	Ground Handling Tow Cart	3.19	16
Cap, Light	3.1	22	Handle Assy.	3.1	1
Castered Wheel & Tire	3.2	51	Handle Weldment	3.15	1
Chain Assy.	3.11	5	Harness Adapter Assy.	3.16	31
Charger Assy.	3.19	15	Harness Adaptor Assy.	3.8	35
Circuit Breaker	3.19	21	Heat Shrink, 1/8 in., Black	3.8	25
Circuit Breaker, 20 amp	3.4	100	Heat Shrink, 3/16 in., Black	3.8	32
Circuit Breaker, 5 amp	3.4	102	Hinge	3.4	96
				3.1	2

<u>Alphabetical Index</u>	<u>Page</u>	<u>Item</u>	<u>Alphabetical Index</u>	<u>Page</u>	<u>Item</u>
	3.19	2		3.11	1
	3.19	12	Nut	3.1	9
Housing	3.1	26		3.2	30
	3.2	45		3.2	34
	3.2	46		3.2	38
	3.3	56		3.3	53
	3.3	57		3.3	72
	3.3	63		3.4	94
	3.3	64		3.8	32
	3.4	95		3.11	9
	3.4	98		3.13	1
	3.7	3		3.15	16
	3.7	4		3.15	16
	3.7	16		3.15	28
	3.7	18		3.16	36
	3.7	21		3.19	18
	3.7	22		3.2	37
	3.8	23	Palnut	3.2	36
	3.8	24	Pin	3.2	28
	3.8	27		3.2	45
	3.8	28		3.3	56
	3.8	30		3.3	64
	3.8	31		3.4	95
	3.8	33		3.7	3
	3.8	34		3.7	18
	3.8	36		3.7	18
	3.9	37		3.7	21
	3.9	38		3.7	22
	3.16	47		3.8	24
	3.16	48		3.8	33
	3.16	49		3.9	36
	3.16	50		3.15	12
	3.2	34		3.16	37
	3.2	35		3.2	34
Hub	3.11	19	Plate	3.13	3
	3.11	27	Plug	3.15	24
Inner Tube Replacement	3.11	28	Potentiometer	3.15	11
Key	3.13	14	Retaining Ring	3.11	16
Lamp, Clear	3.15	7	Rod End, Female	3.2	33
Lanyard	3.16	45	Rod End, Male	3.2	35
Lever	3.13	5	Safety Wire, Roll (0.032 in. dia.)	3.11	24
Light, Amber	3.15	7	Screw	3.1	5
Link	3.13	8		3.1	6
Link, Offset	3.11	10		3.3	58
Lock Washer	3.4	81		3.3	60
	3.16	39		3.4	86
Long Arm Weldment	3.1	11		3.4	91
Mirror Assy.	3.1	4		3.4	101
Moly Grease (14.4 oz. tube)	3.2	39		3.8	32
Motor Assy.	3.4	82		3.13	24

<u>Alphabetical Index</u>	<u>Page</u>	<u>Item</u>	<u>Alphabetical Index</u>	<u>Page</u>	<u>Item</u>
	3.13	27		3.3	76
	3.15	3		3.13	6
	3.15	13		3.13	17
	3.15	26		3.13	23
	3.16	38	Speed Reducer	3.4	84
	3.16	42	Spirap, 1/4 in.	3.7	2
	3.19	5	Spring	3.1	14
	3.19	25		3.13	9
	3.2	33		3.16	33
Screw, Socket Cap	3.1	13	Spring Pin	3.15	20
	3.11	23	Spring Washer	3.16	35
Seal	3.19	10	Sprocket	3.3	79
Seal, Vent Door	3.19	7		3.11	3
Sealant (3 oz. tube)	3.19	7		3.11	22
	3.19	10		3.13	21
Sealant (7.5 oz. tube)	3.16	52	Stopper	3.15	18
Set Screw	3.4	88	Switch	3.4	90
	3.11	2		3.8	32
	3.13	12		3.15	9
	3.15	17	Switch Assy.	3.7	6
Shaft	3.11	18		3.15	8
Shaft Collar	3.1	21	Terminal	3.4	96
	3.7	10		3.8	32
Sleeve Weldment	3.1	16	Thrust Washer	3.16	43
Sleeving, 1/2 in. Expandable	3.2	43	Tire	3.11	26
	3.16	51	Tray	3.19	24
Sleeving, 1/4 in. Expandable	3.2	41	Ty-Rap	3.1	25
Socket	3.1	12		3.3	61
	3.2	46		3.4	83
	3.3	57		3.7	17
	3.3	63		3.8	26
	3.4	98		3.15	10
	3.7	4		3.19	23
	3.7	16	Valve Extension	3.11	25
	3.8	23		3.11	25
	3.8	27		3.11	25
	3.8	28	Valve Stem	3.11	21
	3.8	30	Washer	3.1	8
	3.8	31		3.2	29
	3.8	34		3.2	32
	3.9	37		3.2	37
	3.9	38		3.2	49
	3.16	47		3.2	50
	3.16	49		3.3	54
	3.2	35		3.3	73
Solenoid Assy.	3.1	19		3.3	77
	3.7	8		3.4	92
Spacer	3.2	39		3.4	97
	3.3	67		3.8	32
	3.3	69		3.11	8

<u>Alphabetical Index</u>	<u>Page</u>	<u>Item</u>	<u>Alphabetical Index</u>	<u>Page</u>	<u>Item</u>
	3.13	2			
	3.13	4			
	3.13	16			
	3.15	15			
	3.15	27			
	3.16	44			
	3.19	6			
	3.19	19			
Weldment	3.3	71			
Wire	3.1	20			
	3.7	9			
Wire Harness Assy.	3.1	24			
	3.2	28			
	3.2	47			
	3.4	89			
	3.7	15			
	3.7	20			
	3.8	32			
	3.15	2			
	3.15	2			
	3.19	22			

APPENDIX B  
NUMERICAL INDEX

<i>Figure</i>	<i>Title</i>	<i>Page</i>
—	Numerical Index . . . . .	B3

Intentionally Blank

<u>Numerical Index</u>	<u>Page</u>	<u>Item</u>	<u>Numerical Index</u>	<u>Page</u>	<u>Item</u>
A101-4	3.2	35	B263-18	3.7	3
A102-4	3.2	33		3.7	22
A130-45	3.13	23	B263-19	3.7	4
A214-10	3.16	43		3.8	28
A214-6	3.2	50		3.8	31
A226-3	3.19	7	B263-2	3.2	46
A226-4	3.19	10		3.3	57
A257-1	3.2	39		3.7	4
A462-4	3.13	18		3.7	16
A478-1	3.16	35		3.8	23
A601-1	3.15	22		3.8	27
A701-1	3.3	55		3.8	28
A959-1	3.15	21		3.8	30
B158-2	3.8	32		3.8	31
B158-3	3.4	96		3.8	34
B161-4	3.7	2		3.9	37
B196-21	3.15	7		3.9	38
B198-1	3.15	7		3.16	47
B208-1	3.1	15		3.16	49
B227-2	3.7	6		3.2	35
B260-2	3.4	96	B263-22	3.7	21
	3.8	32		3.16	48
B263-1	3.2	28	B263-23	3.8	27
	3.2	45		3.8	30
	3.3	56		3.16	47
	3.4	95	B263-24	3.3	56
	3.7	3		3.8	24
	3.7	18	B263-25	3.3	57
	3.7	21		3.8	23
	3.7	22	B263-3	3.7	18
	3.8	24		3.2	34
	3.8	33	B263-4	3.4	98
	3.9	36	B263-55	3.3	64
	3.15	12	B263-56	3.3	63
B263-12	3.1	26	B263-67	3.3	63
	3.16	50	B263-68	3.3	64
	3.2	34	B266-4	3.2	41
B263-13	3.16	49	B266-8	3.2	43
	3.2	35		3.16	51
B263-14	3.7	18	B270-13	3.19	7
	3.8	33		3.19	10
B263-15	3.7	16	B270-5	3.16	52
	3.8	34	B297-20	3.4	100
	3.9	38	B297-5	3.4	102
B263-16	3.2	45	B300-1	3.15	8
	3.4	95	B330-16	3.2	36
	3.8	36	B332-42	3.16	39
B263-17	3.2	46	B332-45	3.4	81
	3.4	98	C647-17	3.3	75
	3.9	37	C654-43	3.2	31

<u>Numerical Index</u>	<u>Page</u>	<u>Item</u>	<u>Numerical Index</u>	<u>Page</u>	<u>Item</u>
C654-44	3.2	30	MT922-4	3.7	20
C654-45	3.2	29	MT922-5	3.19	22
D113-1	3.13	8	MT923-1	3.15	2
D774-4	3.13	9	MT923-3	3.15	2
MT900-1	3.1	1	MT925-1	3.8	29
MT900-3	3.4	82	MT929-1	3.1	11
	3.11	1	MT930-1	3.15	14
MT900-4	3.3	62	MT931-1	3.19	8
MT900-7	3.19	15	MT932-1	3.19	1
MT901-1	3.4	85	MT933-1	3.1	4
	3.11	6	MT933-3	3.1	7
	3.13	20	MT933-4	3.1	2
MT902-1	3.3	71	MT935-1	3.16	30
MT903-1	3.16	31	MT935-8	3.2	32
MT904-1	3.1	10	MT936-3	3.11	26
	3.7	11	MT936-4	3.11	28
MT904-2	3.7	8	MT938-1	3.19	24
MT904-3	3.1	17	MT938-2	3.19	13
	3.7	7	MT939-1	3.19	20
MT904-4	3.1	19	MT940-1	3.1	22
MT905-1	3.15	1	MT943-1	3.13	19
MT905-3	3.15	25		3.16	32
MT906-4	3.2	36	MT945-1	3.13	10
MT909-1	3.1	16	MT945-3	3.13	3
MT909-2	3.1	12	MT945-5	3.13	5
MT910-1	3.1	20	MT945-6	3.13	13
	3.7	9	MT945-7	3.11	4
MT911-1	3.15	18		3.13	11
MT911-3	3.15	29	MT945-8	3.13	25
MT911-4	3.15	24	MT945-9	3.13	26
MT912-1	3.3	76	MT946-1	3.19	9
MT913-1	3.11	22	MT946-2	3.19	3
MT914-1	3.11	5	MT946-3	3.19	12
MT914-3	3.11	13	MT946-4	3.19	2
MT914-5	3.11	10	MT948-1	3.8	25
MT915-1	3.4	93	MT948-2	3.8	35
	3.8	32	MT955-1	3.19	17
MT915-2	3.4	87	MT959-1	3.11	27
MT918-1	3.15	6	MT959-2	3.11	18
MT919-1	3.15	23	MT959-3	3.11	19
MT920-2	3.13	6	MT969-3	3.2	47
MT920-3	3.13	17	MT970-1	3.2	52
MT920-4	3.2	39		3.7	19
MT920-5	3.3	67		3.19	28
MT920-6	3.3	69	MT996-1	3.4	84
MT922-1	3.4	89	R5364	3.3	79
	3.8	32		3.11	3
MT922-2	3.2	28		3.13	21
MT922-3	3.1	24	1.500-16	3.1	18
	3.7	15		3.7	5



<u>Numerical Index</u>	<u>Page</u>	<u>Item</u>	<u>Numerical Index</u>	<u>Page</u>	<u>Item</u>
25F1100HF5DZ	3.3	74	MS21919WDG7	3.3	66
52025	3.4	88	MS21919WDG8	3.3	59
	3.13	12		3.19	26
	3.15	17	MS27039C0805	3.2	33
57485K62	3.1	21	MS27039C0806	3.1	6
	3.7	10		3.19	5
6241-G	3.11	25	MS27039C0807	3.1	5
6241-J	3.11	25		3.4	86
6241-M	3.11	25	MS27039C0808	3.15	26
812040ST	3.19	21	MS27039C0810	3.3	60
8532-T-C-Q-E-2	3.15	9	MS27039C1-06	3.3	58
86501970	3.11	7		3.13	27
90289A353	3.11	2		3.16	42
90312A31	3.16	45		3.19	25
9106PP	3.11	17	MS27039C1-07	3.13	24
98404A390	3.16	37	MS3367-4-9	3.1	25
98870A370	3.13	14		3.3	61
AN315-3R	3.19	18		3.7	17
AN316-5R	3.2	34		3.8	26
AN4-43A	3.3	65		3.15	10
AN742-3	3.16	41		3.19	23
AN960PD10L	3.13	4	MS3367-6-0	3.4	83
AN970-4	3.2	49	MS35206-222	3.4	91
E0240-026-075S	3.1	14		3.8	32
E0240-037-3500S	3.16	33	MS35206-226	3.4	101
L8017	3.2	27	MS35206-227	3.15	3
LJS0712	3.3	68	MS35206-228	3.15	13
MPD6404-6	3.3	62	MS35206-247	3.16	38
MS16562-36	3.15	20	MS35489-1	3.1	23
MS16625-1218	3.11	16		3.7	12
MS20074-05-05	3.4	80	MS35489-4	3.2	40
MS20995C32	3.11	24		3.7	1
MS21042L04	3.4	94	MS35489-40	3.2	44
	3.8	32		3.16	40
MS21042L06	3.15	16	N-3030	3.15	5
	3.15	16	N-5032-B	3.15	4
MS21042L08	3.1	9	NAS1149F0332P	3.13	2
	3.3	53		3.19	19
	3.15	28	NAS1149F0432P	3.2	32
	3.2	37		3.3	77
MS21042L3	3.13	1		3.13	16
MS21042L4	3.2	38	NAS1149F0463P	3.2	37
MS21042L5	3.3	72	NAS1149F0563P	3.3	73
MS21042L6	3.16	36	NAS1149F0632P	3.16	44
MS21266-1N	3.19	16	NAS1149F0863P	3.2	29
MS21919WDG2	3.13	22		3.11	8
MS21919WDG5	3.4	99	NAS1149FN816P	3.1	8
	3.16	46		3.3	54
	3.19	27		3.15	27
MS21919WDG6	3.3	78		3.19	6

<u>Numerical Index</u>	<u>Page</u>	<u>Item</u>	<u>Numerical Index</u>	<u>Page</u>	<u>Item</u>
NAS1149FN832P	3.4	97			
NAS1291-8	3.2	30			
	3.11	9			
NAS1352-08LE6P	3.1	13			
NAS1352-4H30P	3.11	23			
NAS620-4	3.4	92			
	3.8	32			
NAS620-6	3.15	15			
NAS6603-13	3.13	7			
NAS6604-10	3.2	48			
NAS6604-11	3.2	31			
NAS6604-18	3.13	15			
NAS6604-31	3.2	42			
NAS6605-24	3.3	70			
NAS6606-47	3.16	34			
RV4NAYSD502A	3.15	11			
S-7008	3.2	51			
TR-413	3.11	21			
V3-1	3.4	90			
	3.8	32			