

**R66 SERVICE BULLETIN SB-15**

**DATE:** 15 December 2015

**TO:** R66 Owners, Operators, and Maintenance Personnel

**SUBJECT:** G500H Wire Chafe

**ROTORCRAFT AFFECTED:** R66 Helicopters S/N 0552, 0602, 0648, 0650, 0653, 0654, 0657 thru 0665, 0667, 0668, 0670 thru 0672, 0674, 0675, 0678 thru 0683, 0687, 0688, and 0692.

**TIME OF COMPLIANCE:** Within next 100 flight hours or by 29 February 2016, whichever occurs first.

**BACKGROUND:** RHC has received a report of the annunciator panel wiring chafing against the Garmin G500H's GDU 620 display. This bulletin requires installing wire protection in the affected area.

---

**COMPLIANCE PROCEDURE:**

1. Order one R9507 kit from [RHC Customer Service](#).
2. Remove GDU 620 display per R66 Maintenance Manual (MM) § 95-71.
3. Refer to Figures 1 and 2. Visually inspect annunciator panel wiring, push-to-test switch wiring, and instrument cluster wiring for damage; contact [RHC Technical Support](#) if damage is found.
4. Refer to Figure 1. Cut and discard ty-rap(s) as required, and install B161-4 spirap over annunciator panel wiring, and B161-2 spirap over push-to-test wiring at locations shown. Verify spirap coils are tight but do not overlap; trim as required.
5. Refer to Figure 2. Noted strain-relief ty-rap must remain. Cut and discard ty-raps as required and reposition instrument cluster wiring to provide clearance from installed display. Install MS3367 ty-raps as required. Cinch ty-raps until snug without overtightening and trim tips flush with heads.
6. Refer to Figure 3. Fold A701-5 tape in half lengthwise toward adhesive-side. Install tape on display as shown.
7. Install GDU 620 display per MM § 95-71.
8. Make appropriate maintenance record entries; no change to weight & balance.

(OVER)

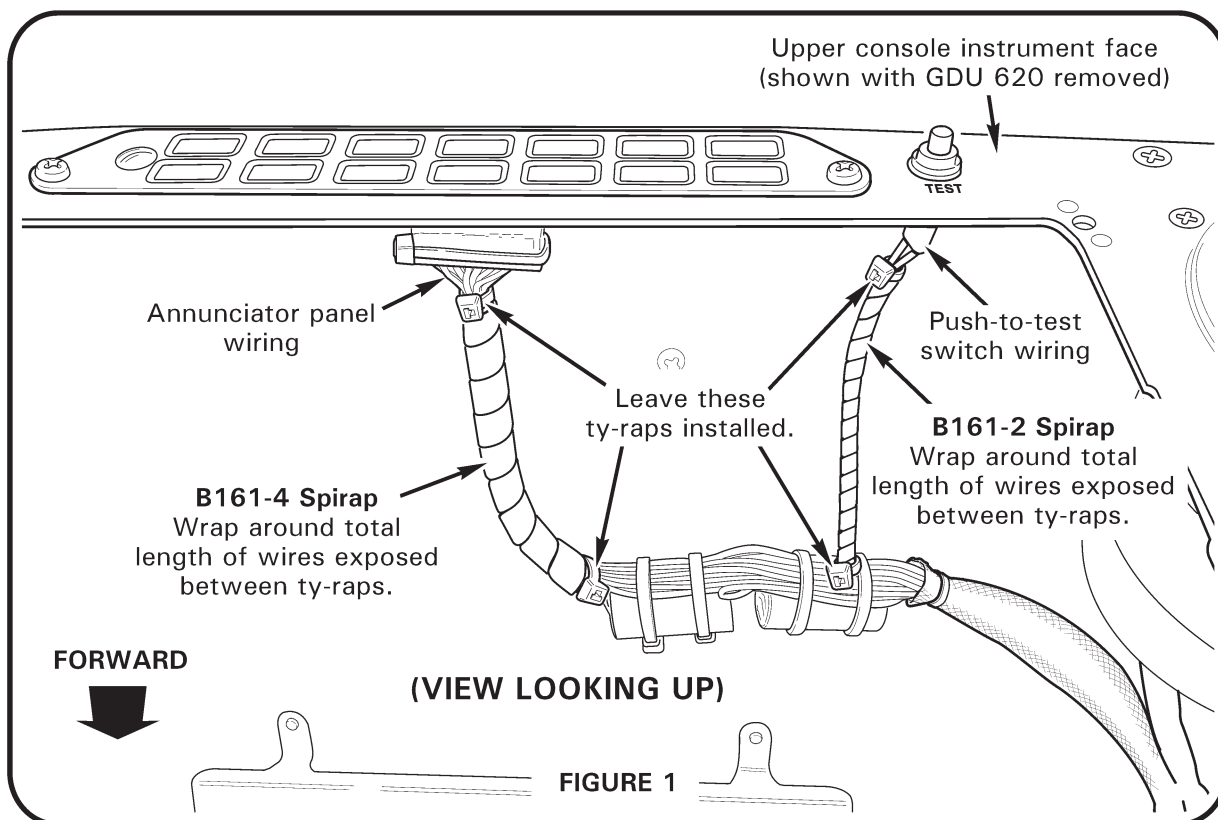
**APPROXIMATE COST:**

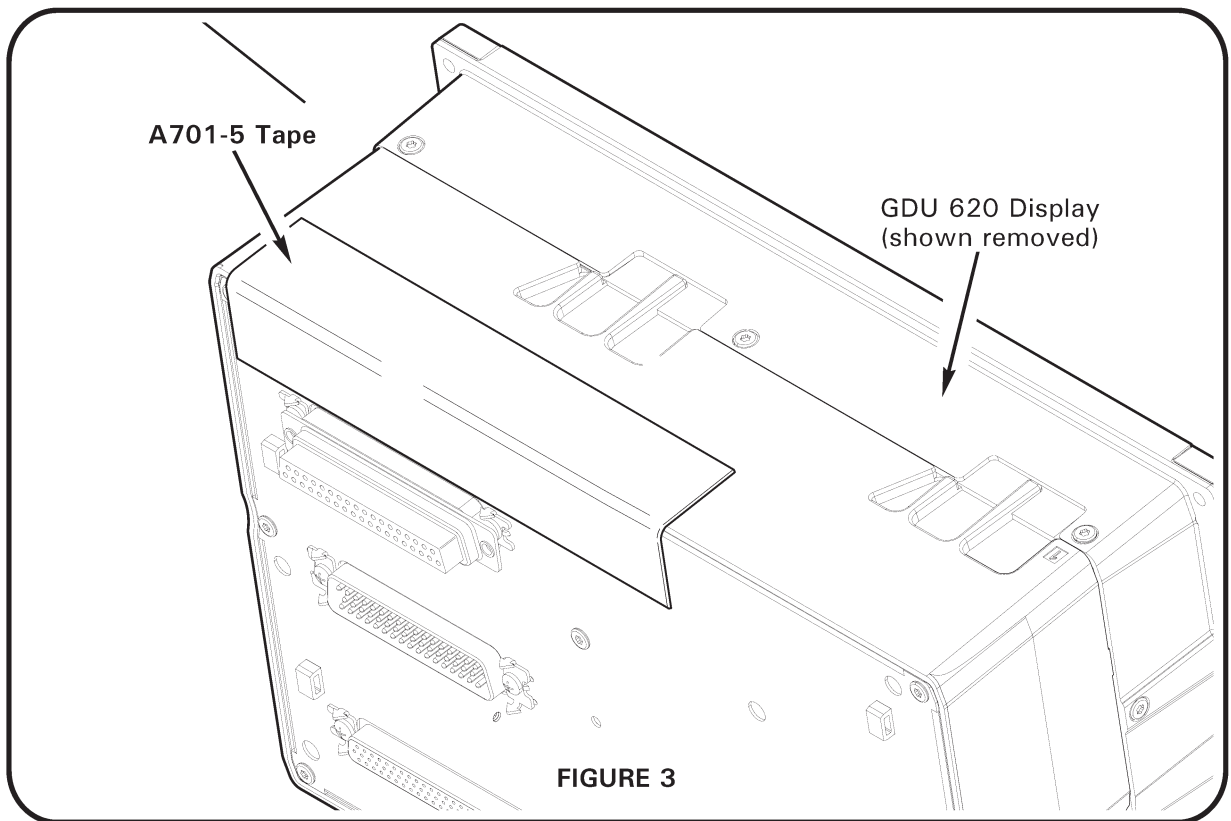
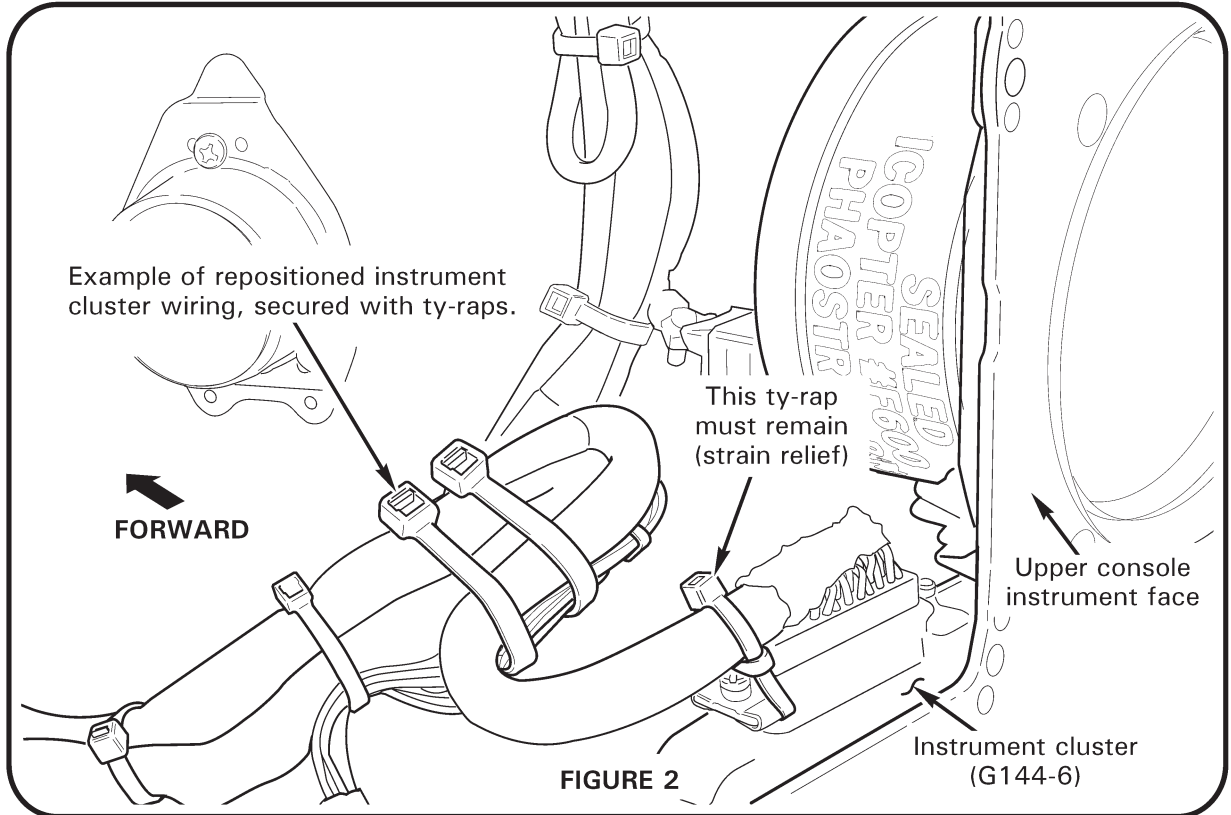
Parts: No charge for one R9507 kit if ordered by 29 February 2016. Reference helicopter serial number; shipping cost is owner's responsibility. One R9507 kit includes (1) A701-5-6\* tape, (1) B161-2-8\* spirap, (1) B161-4-6\* spirap, (2) B267-5 solder splices, (2) MS3367-5-0 ty-raps, and (2) MS3367-7-0 ty-raps.

\* Last dash number indicates length in inches.

Procure parts from any R66 Dealer or Service Center, or order directly from [RHC Customer Service](#) via email, fax, or phone.

Labor: 0.5 man-hour.





THE DESIGN ENGINEERING ASPECTS OF THIS BULLETIN HAVE BEEN SHOWN TO COMPLY WITH APPLICABLE FEDERAL AVIATION REGULATIONS AND ARE FAA APPROVED.