

SERVICE LETTER #34

DATE: September 15, 1989

TO: All R22 Owners, Operators, Dealers & Service Centers

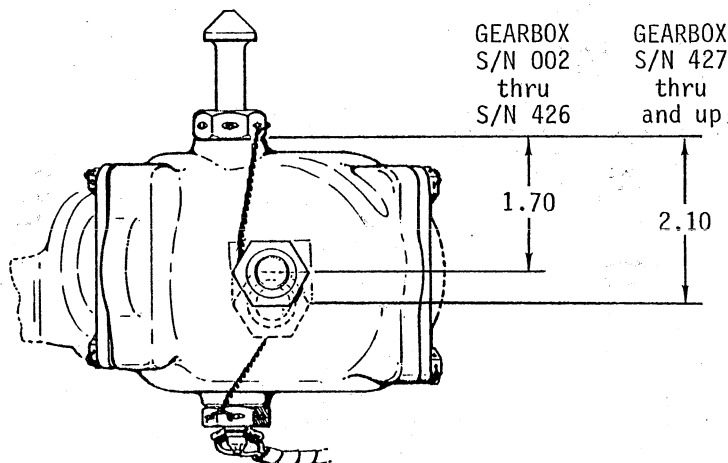
SUBJECT: Excessive Oil Leakage from Tail Rotor Gear Box  
Breather Tube.

ROTORCRAFT AFFECTED: All R22 Helicopters

BACKGROUND: Overfilling has occurred on several tail rotor gearbox's which have the old style higher sight glass installed resulting in excessive oil being blown out of the Breather tube.

---

Before filling or adding oil to the Tail Rotor Gearbox first determine whether the Gearbox has the older or new style sight gage installed.



Gearbox S/N 002 through 426

Fill the gearbox only to the point where oil is just visible in the sight glass with the tail pulled down 1 to 1½ feet.

Gearbox S/N 427 and on

Fill Gearbox until the oil just reaches the center of the sight glass.