

SERVICE BULLETIN #41

Date: 20 June 1984

To: All R22 Owners and Operators

Subject: Mixture Control Safety Spring Assembly Installation

Rotorcraft Affected: R22 Serial No. 0002 through 0265

Time For Compliance: Within the next 50 flight hours or by
1 September 1984, whichever comes first.

Background: Installation of this safety spring will prevent a possible engine power loss, should the mixture control cable break or become disconnected. The spring will force the mixture control to the full rich position.

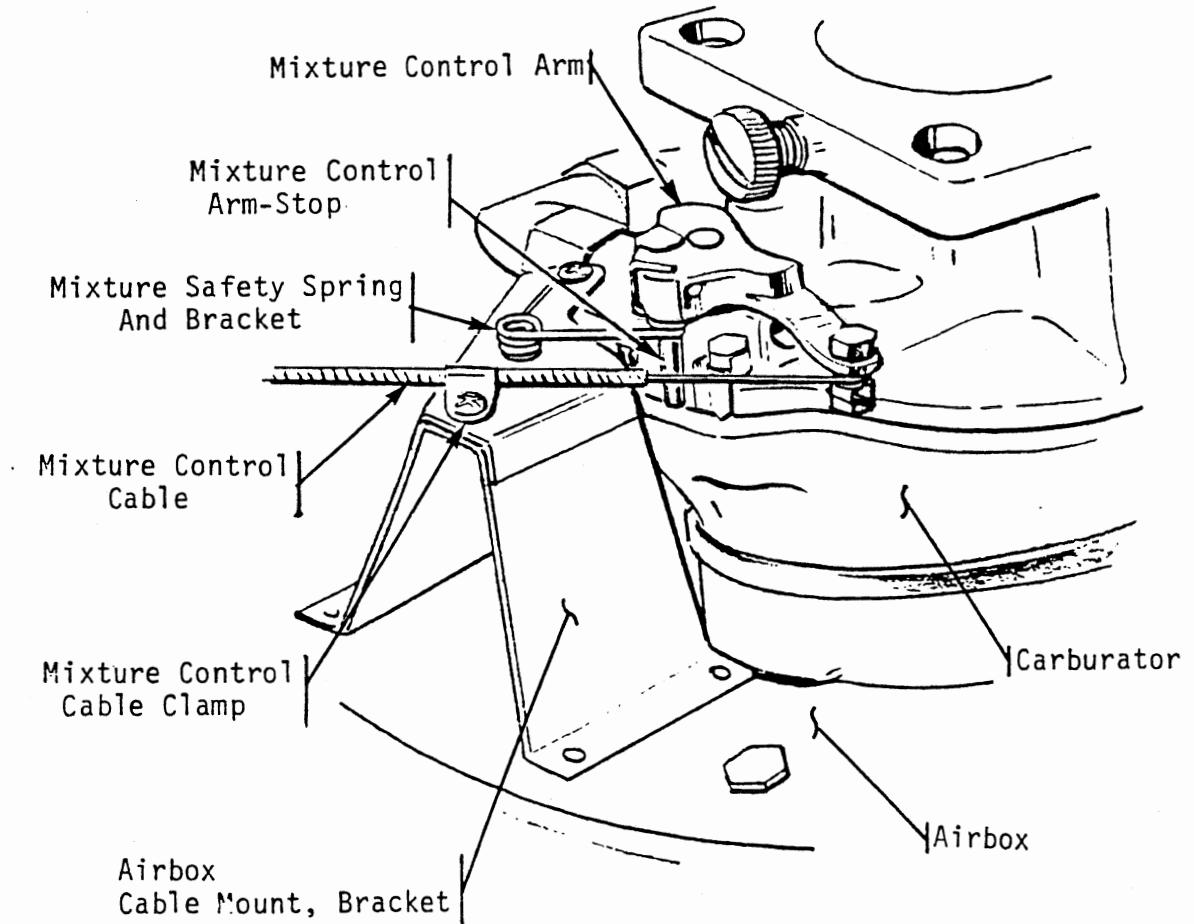
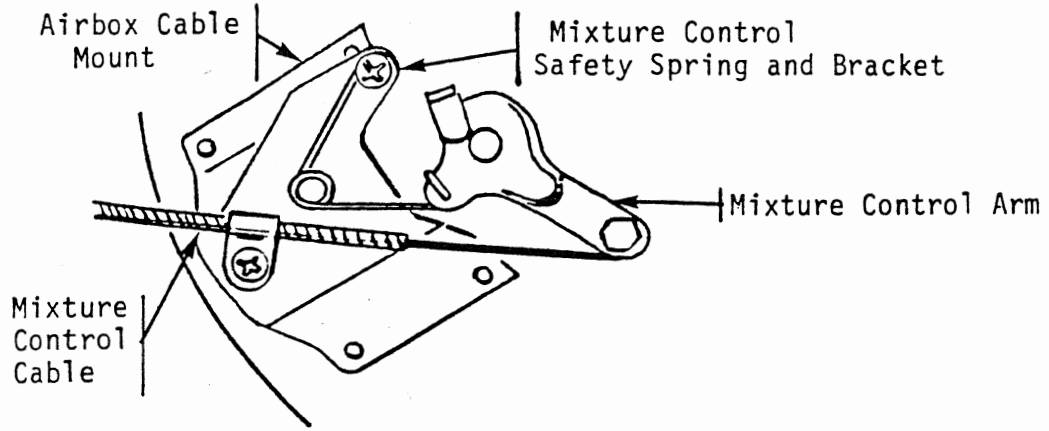
Installation of Mixture Control Safety Spring Assembly

1. Disconnect mixture control cable clamp from airbox cable mount bracket.
2. Slide free end of spring over mixture control arm stop and hook at end of spring over mixture control arm per attached figure.
3. Install safety spring bracket on airbox cable mount under the mixture control cable clamp.

NOTE

When installing mixture control cable, position per top view on attached figure to reduce cable wear.

Material Cost: Order A071-1 Mixture Spring Assembly for \$49.50 ea.
Estimated Installation Labor: $\frac{1}{4}$ Hour.



Mixture Safety Spring Installation