

### KI-205 Ground Handling Cart Booster Cable Kit Instructions

#### NOTE

Visit [www.robinsonheli.com](http://www.robinsonheli.com) to verify kit instructions are current revision. Review instructions before installation; contact RHC Technical Support with questions. Verify kit contents match list; contact RHC Customer Service if parts are missing or damaged.

ITEM	PART NUMBER	DESCRIPTION	QTY PER KI-205
KIT CONTENTS			
1	KI-205 INSTR.	Kit Instructions .....	1
2	MS35489-22	Grommet .....	1
3	MT949-1	Cable Assembly .....	1
4	MT949-2	Cable Assembly .....	1
5	MT956-1	Hanger .....	2
6	2703	Hole plug .....	2
7	9764K47	Bumper .....	2

### Kit Instructions

#### NOTE

[MT900 Ground Handling Cart Manual](#) and [MT950 Ground Handling Cart Manual](#) are available online.

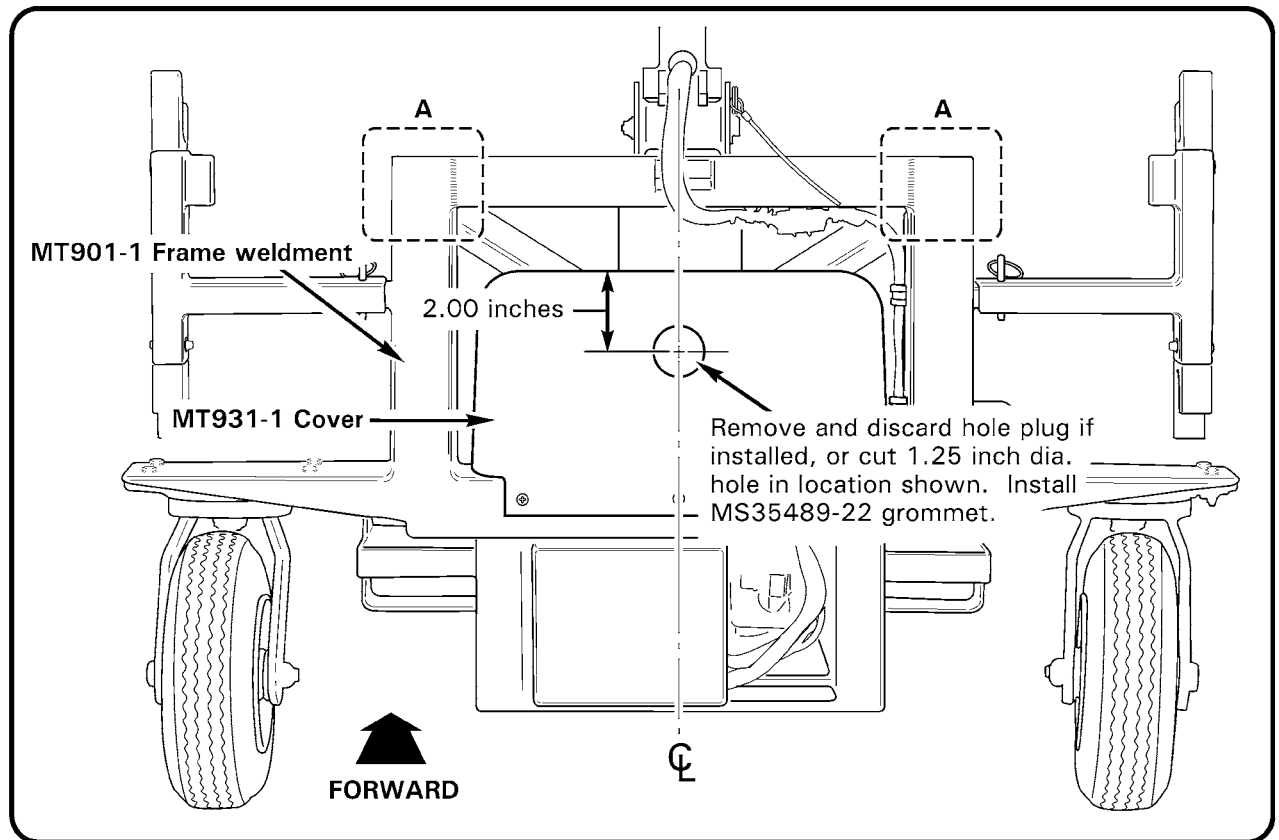
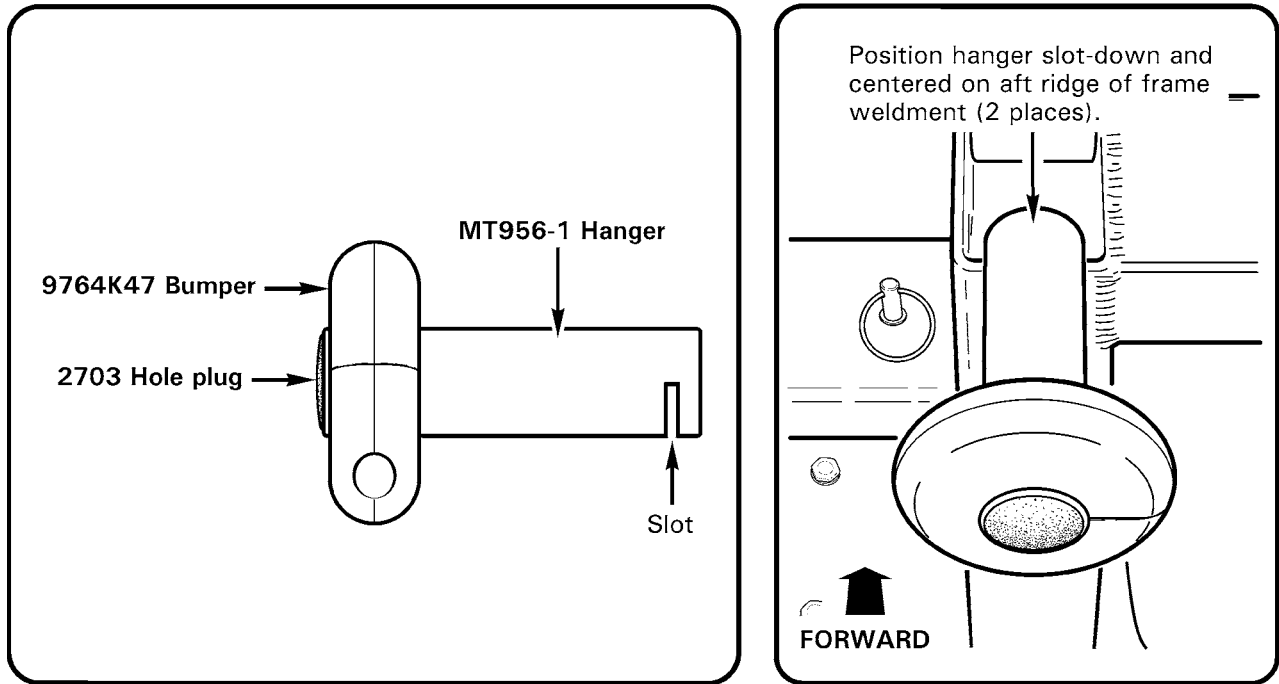
#### NOTE

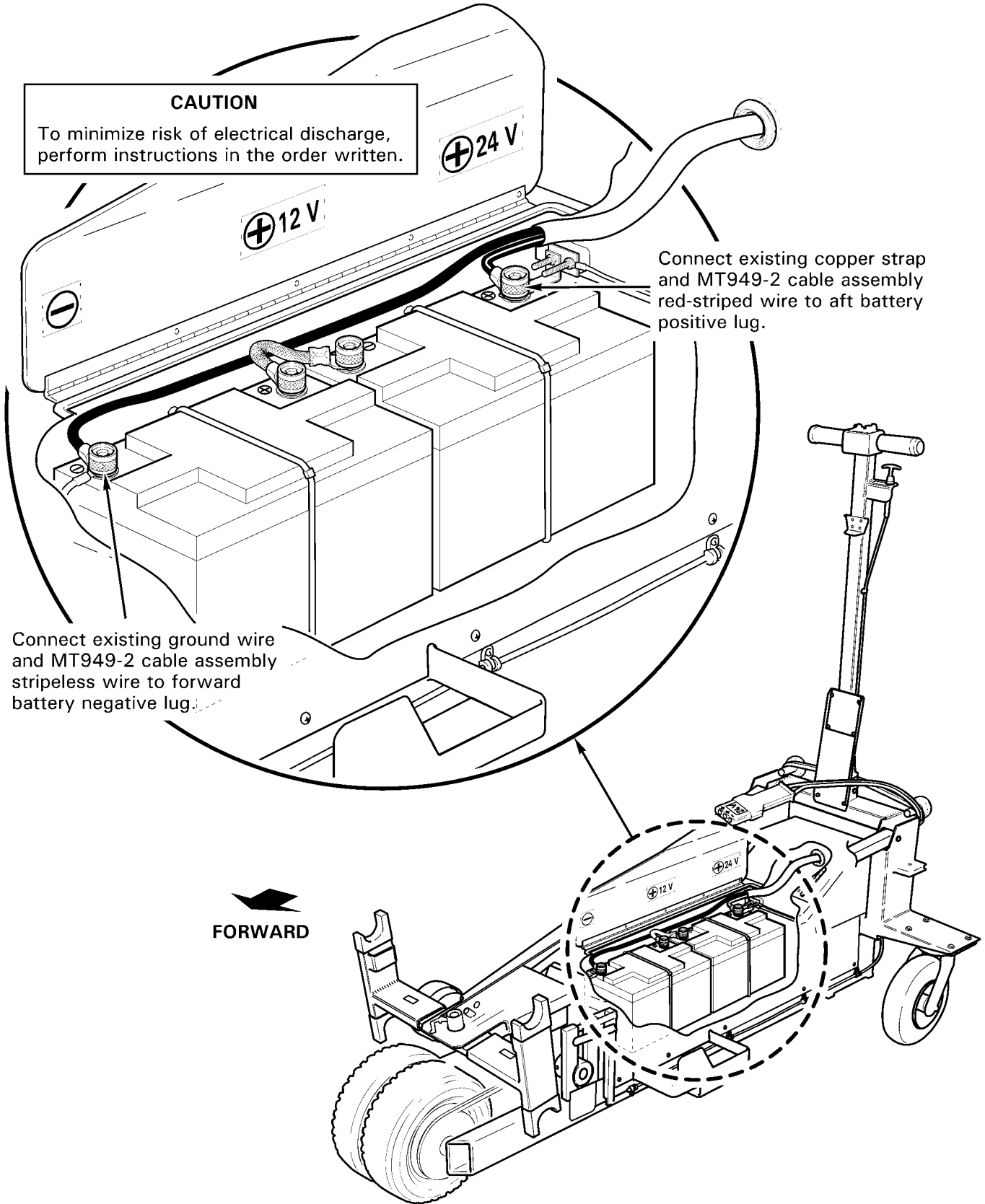
KI-205 installation is identical for MT900 and MT950 ground handling carts.

1. Turn ground handling cart power switch OFF.
2. Refer to Figure 1. Install one 9764K47 bumper and one 2703 hole plug on each MT956-1 hanger as shown. Position hangers slot-down and centered on aft ridges of MT901-1 frame weldment at locations shown. Using a soft mallet, tap hangers onto frame until bottomed.
3. Remove and discard hole plug from MT931-1 cover, if installed. If no hole is present, cut 1.25-inch dia. hole in cover at location shown. Install MS35489-22 grommet.
4. Refer to Figure 2. Open access doors and route MT949-2 cable assembly through grommet until stripeless wire reaches forward battery negative lug.

### Kit Instructions (continued)

5. Disconnect ground wire from forward battery negative lug.
6. Connect existing copper strap and MT949-2 cable assembly red-striped wire to aft battery positive lug. Torque terminal as noted on battery label.
7. Connect ground wire and MT949-2 cable assembly stripeless wire to forward battery negative lug. Torque terminal as noted on battery label. Close access doors.
8. Connect MT949-1 and MT949-2 cables together and wrap over hangers.





**FIGURE 2**